

A frame tripod easel plan

Here we are presenting a plan that will allow you to quickly create a simple and practical A frame tripod easel.

If you work in watercolor technique, this simple wooden tripod easel is great choice for you, because its adjustable working angle is 35°. It is light enough for mobility, and if you do not use easels on a daily basis, this A frame easel has one leg that folds flat and can be stored in very small place. All in all, this floor easel is an affordable solution for many artists beginners.

Making of this wooden easel requires not much of your time and you don't need to have some special skills. All you have to do is to precisely make the items from the simple wooden easel plan with the exact measurements as given in this documentation, then join those parts together with bolts.

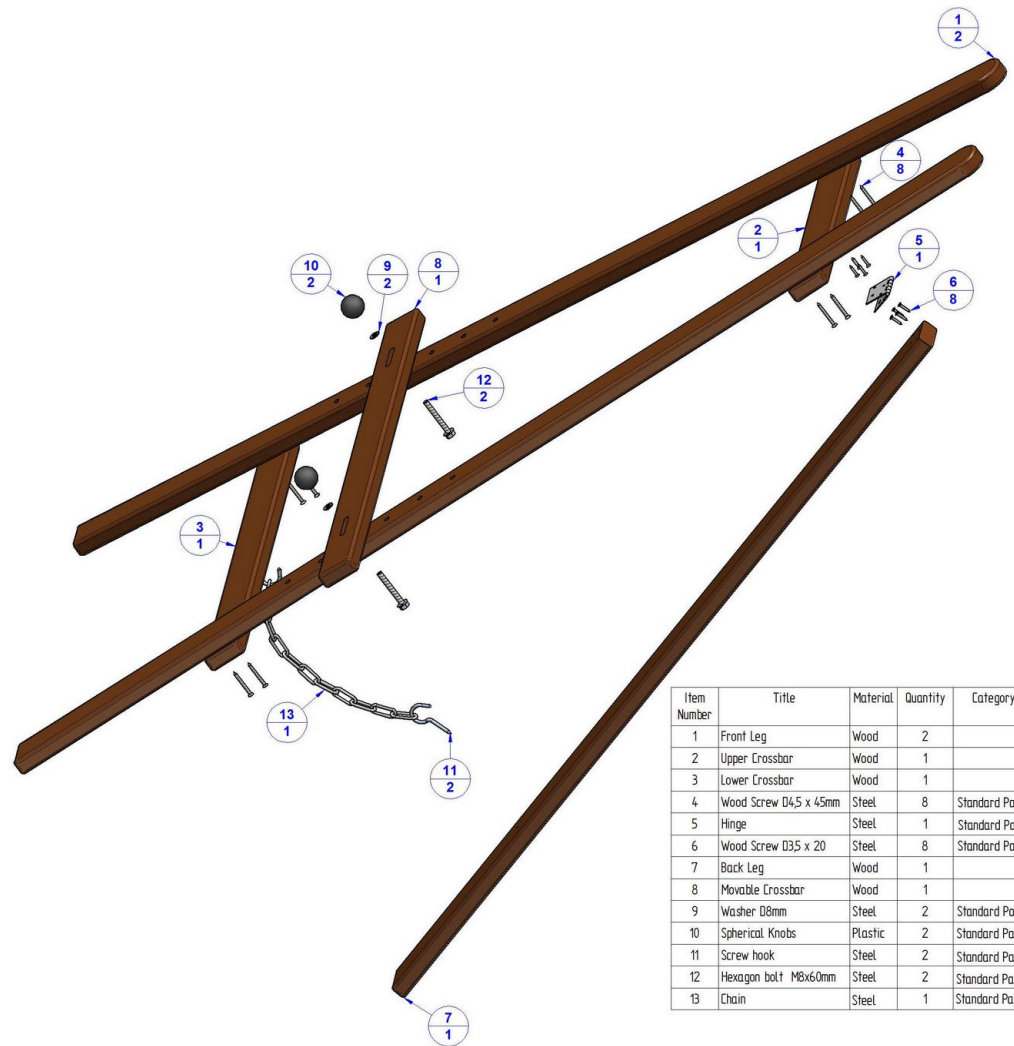
NOTE: The measurements within this text and 2D documentation are given both in millimeters and inches (in brackets).

Minimal size of the painting:
Width: 450mm (17,7 inches)
Height: no limits

Maximal size of the painting:
Width: max 1800mm (70,7 inches)
Height: 1100mm (43,3 inches)

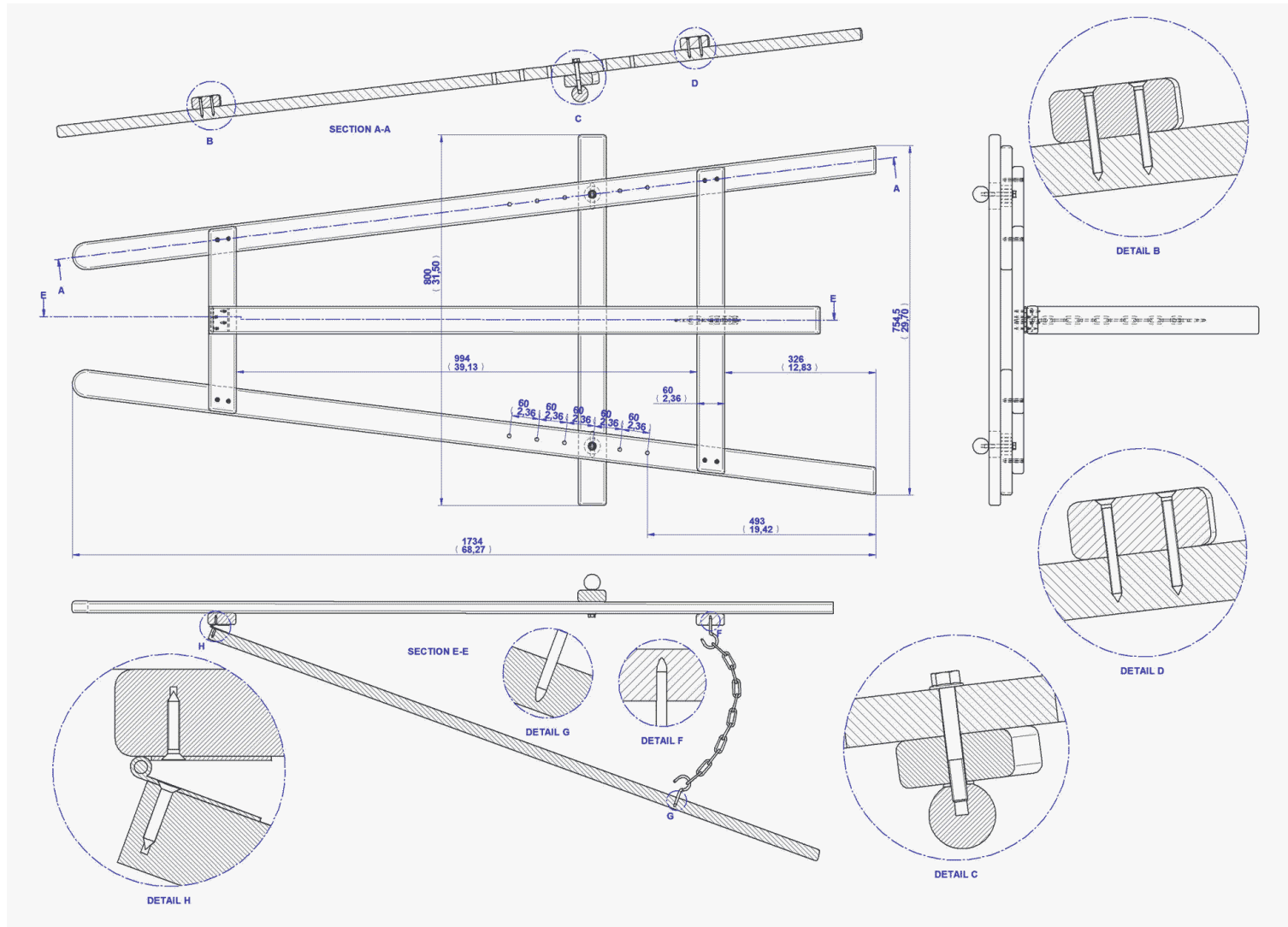


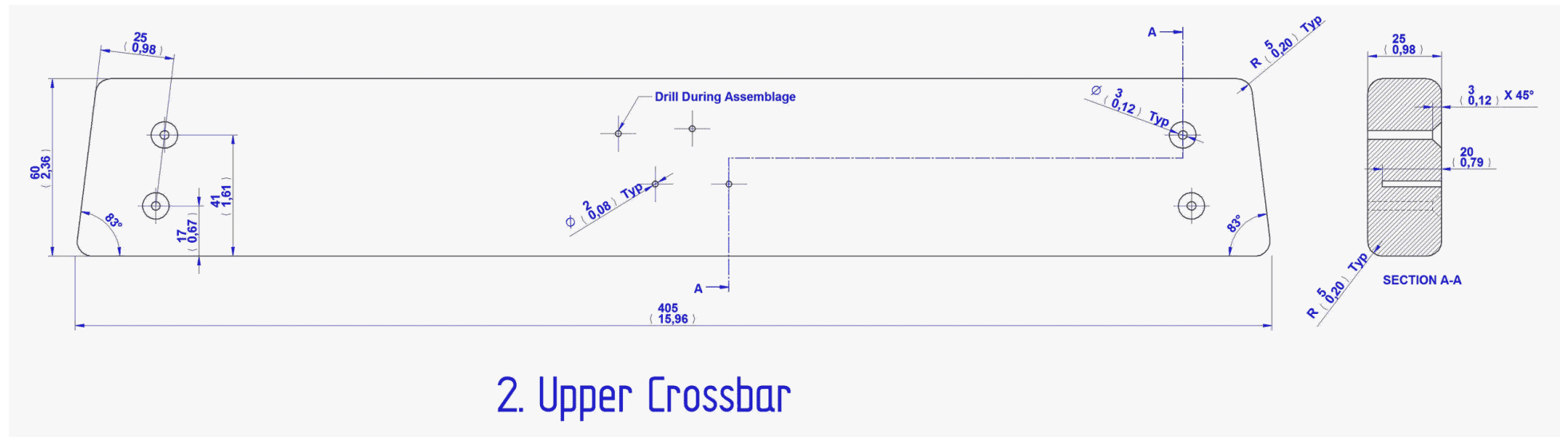
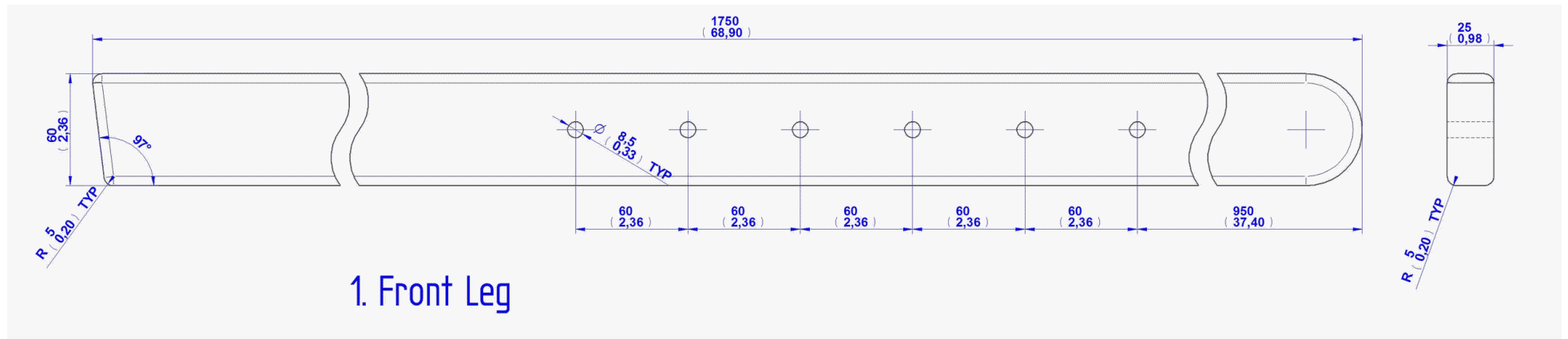
Parts List

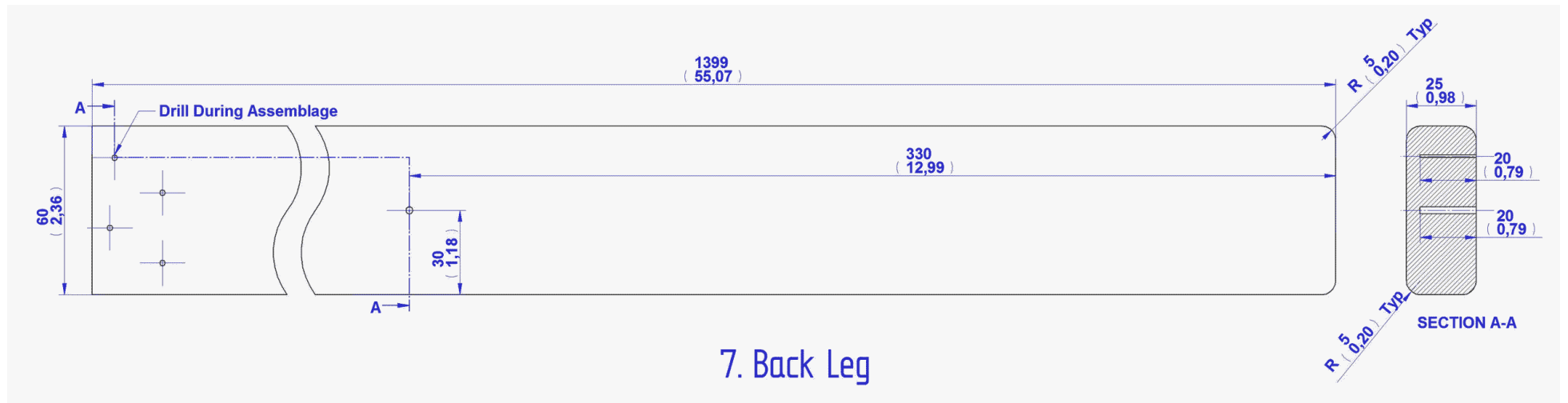
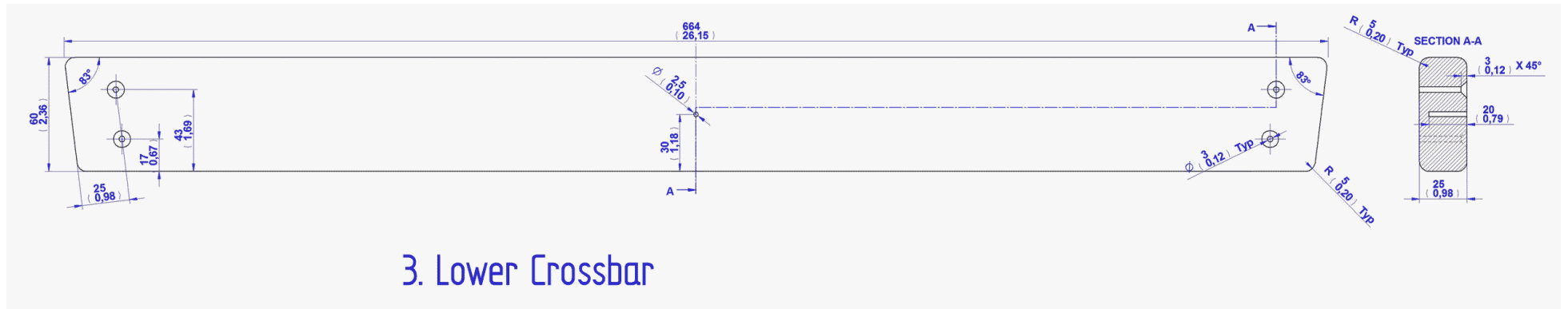


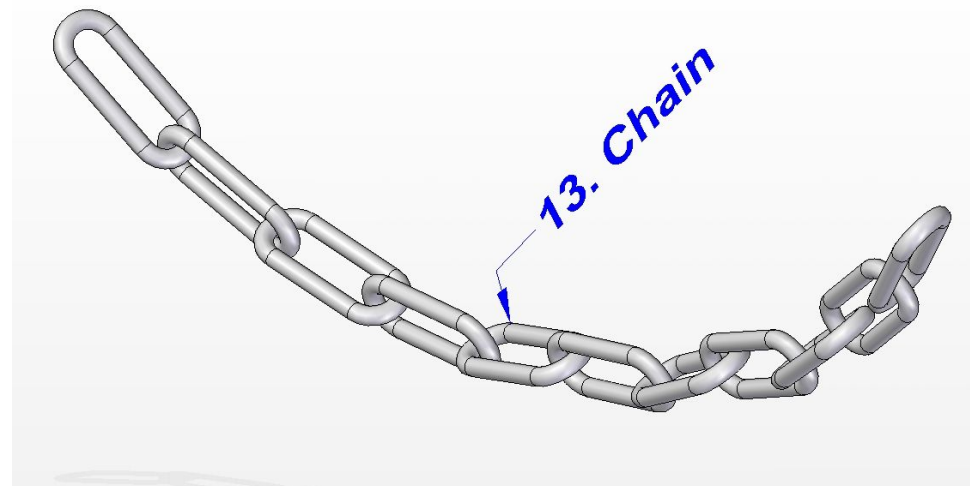
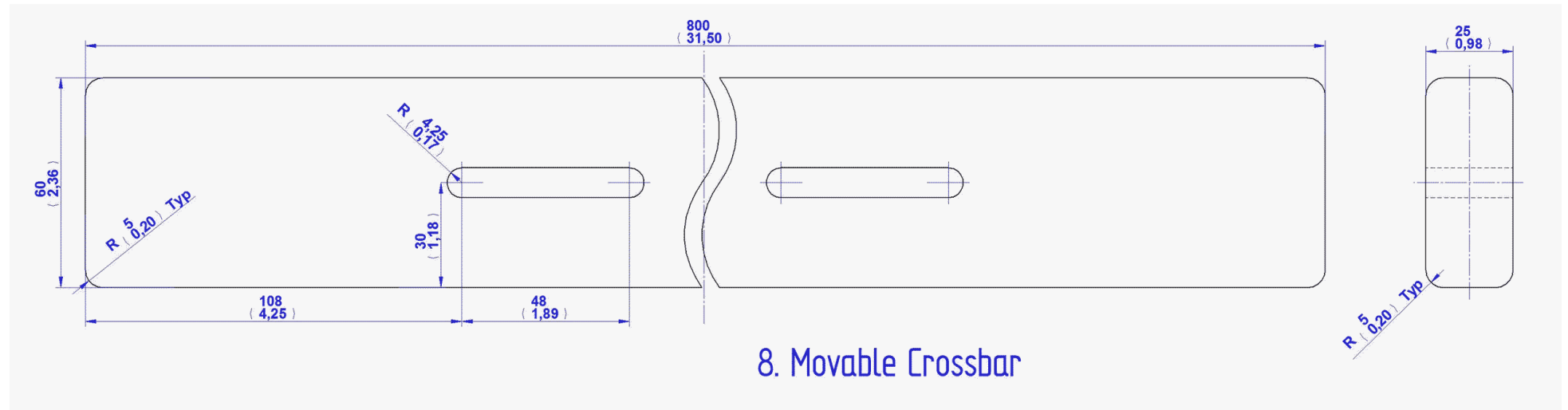
Item Number	Title	Material	Quantity	Category
1	Front Leg	Wood	2	
2	Upper Crossbar	Wood	1	
3	Lower Crossbar	Wood	1	
4	Wood Screw D4,5 x 45mm	Steel	8	Standard Part
5	Hinge	Steel	1	Standard Part
6	Wood Screw D3,5 x 20	Steel	8	Standard Part
7	Back Leg	Wood	1	
8	Movable Crossbar	Wood	1	
9	Washer D8mm	Steel	2	Standard Part
10	Spherical Knobs	Plastic	2	Standard Part
11	Screw hook	Steel	2	Standard Part
12	Hexagon bolt M8x60mm	Steel	2	Standard Part
13	Chain	Steel	1	Standard Part

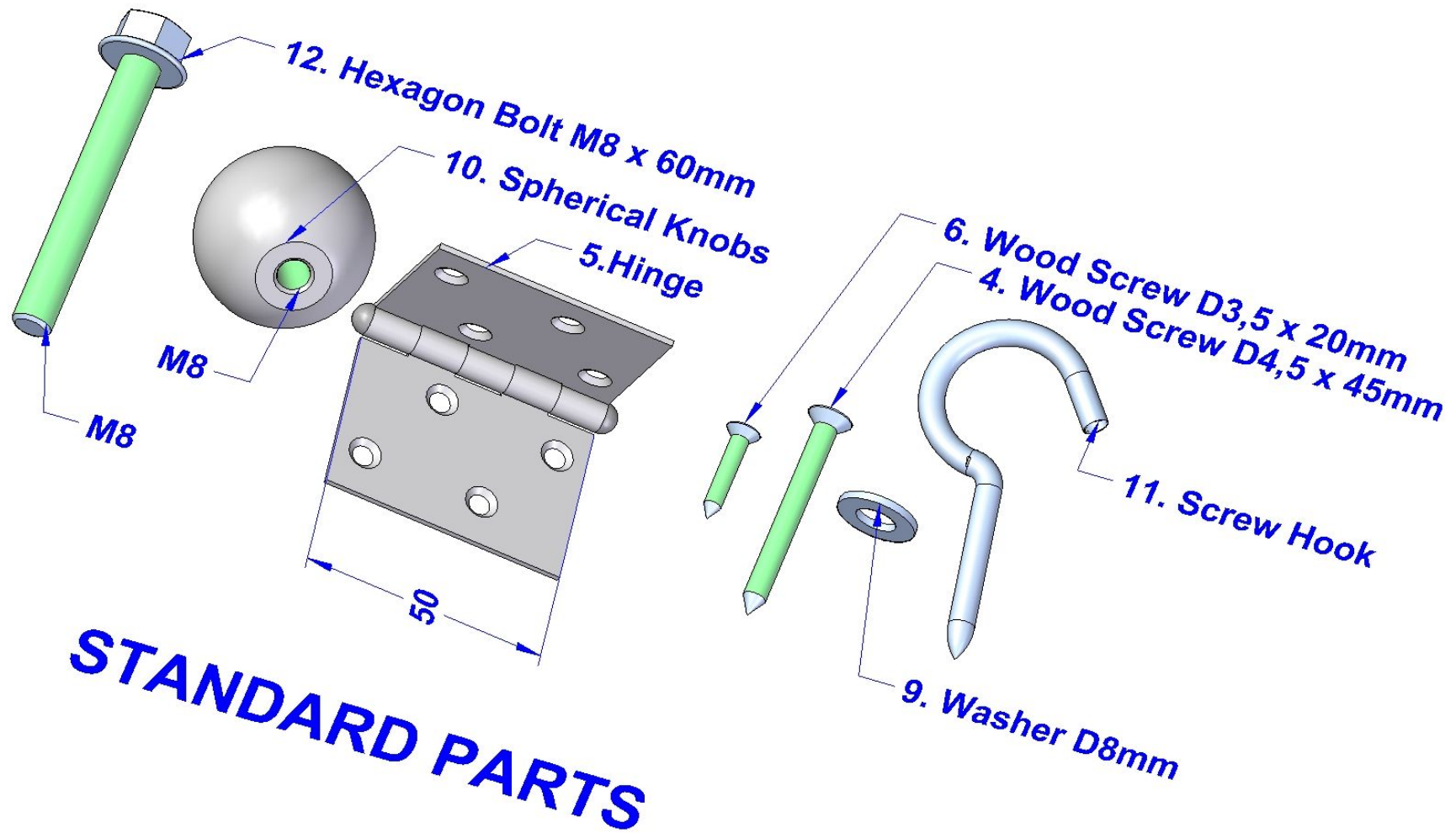
2D Documentation





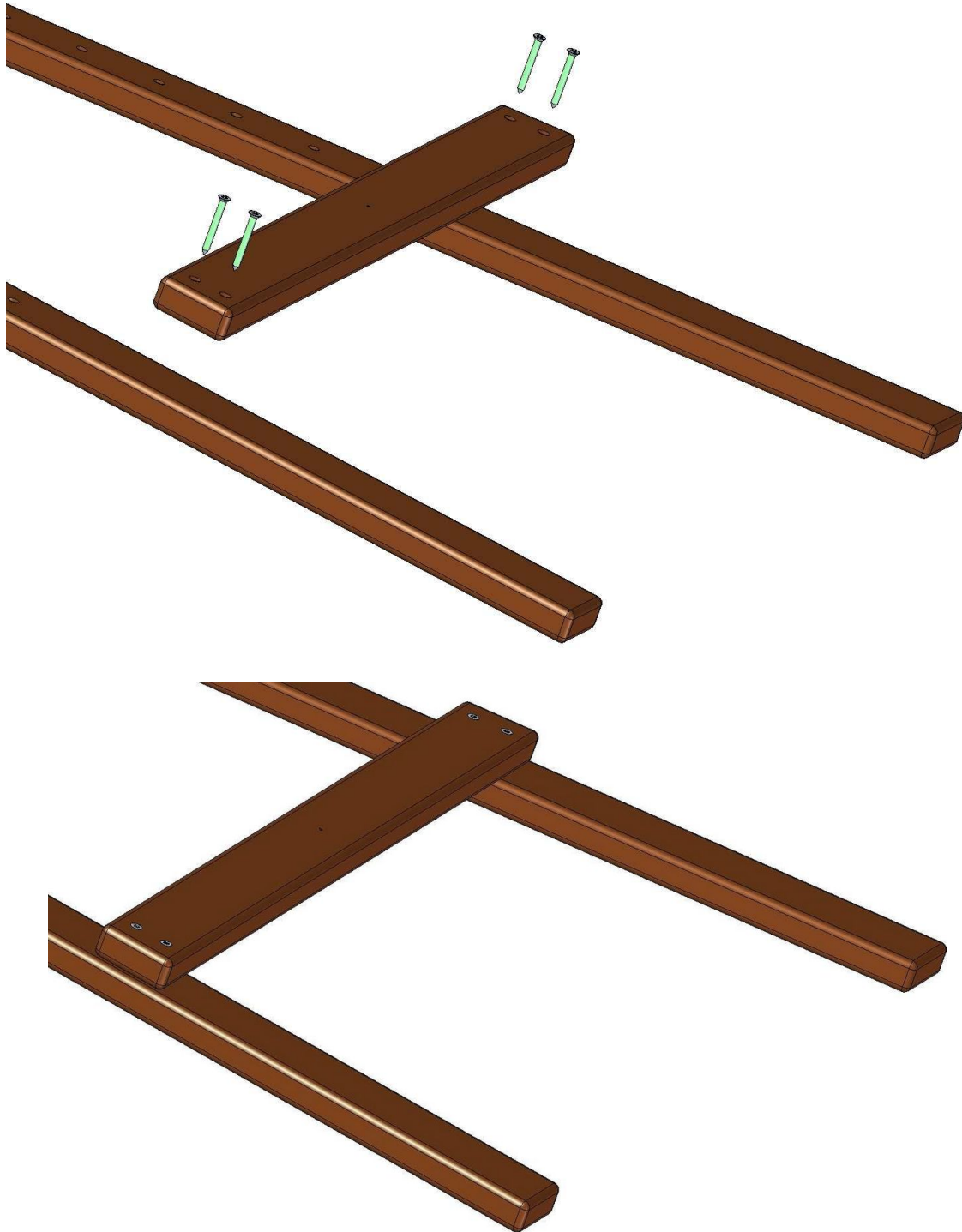


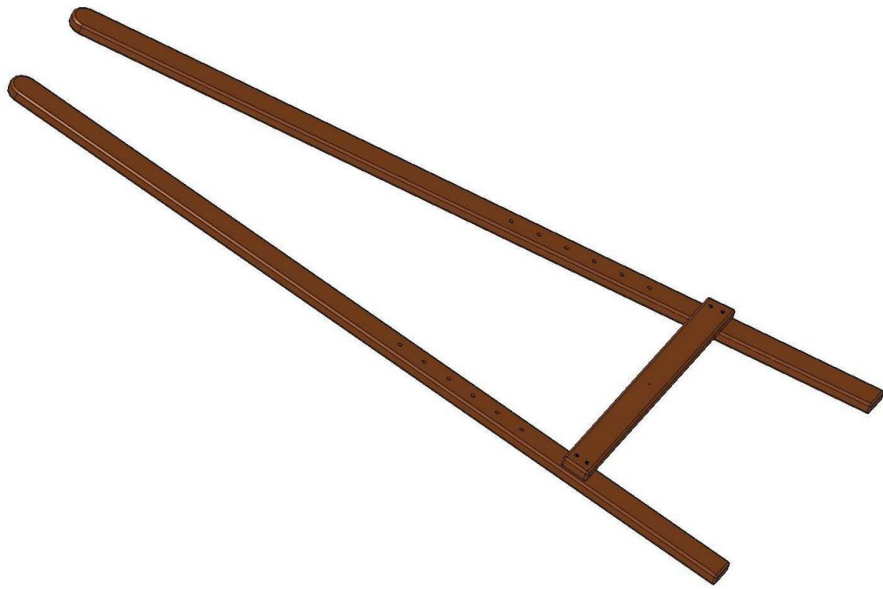




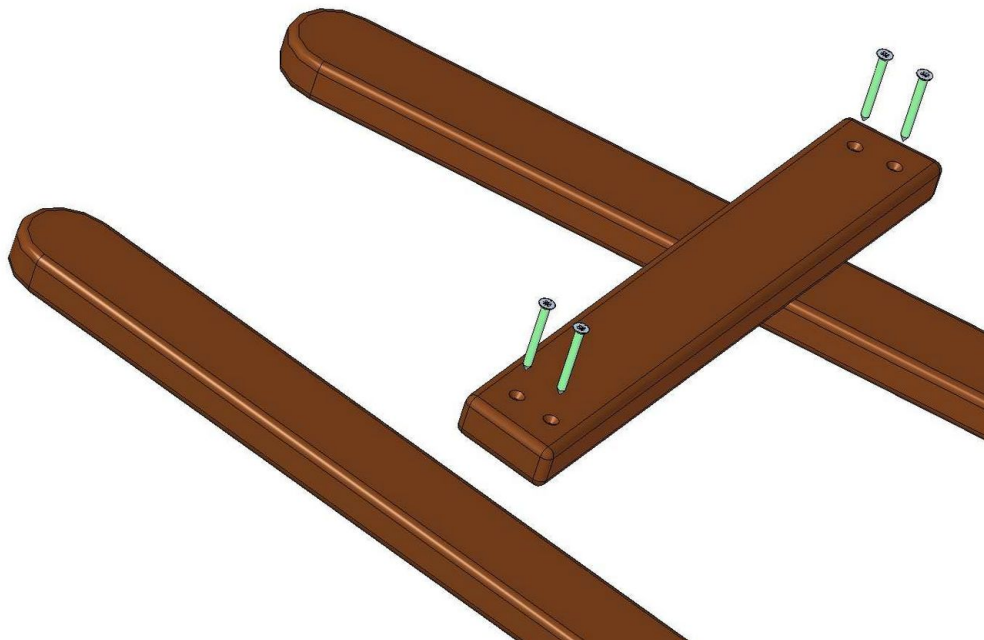
Assemblage images

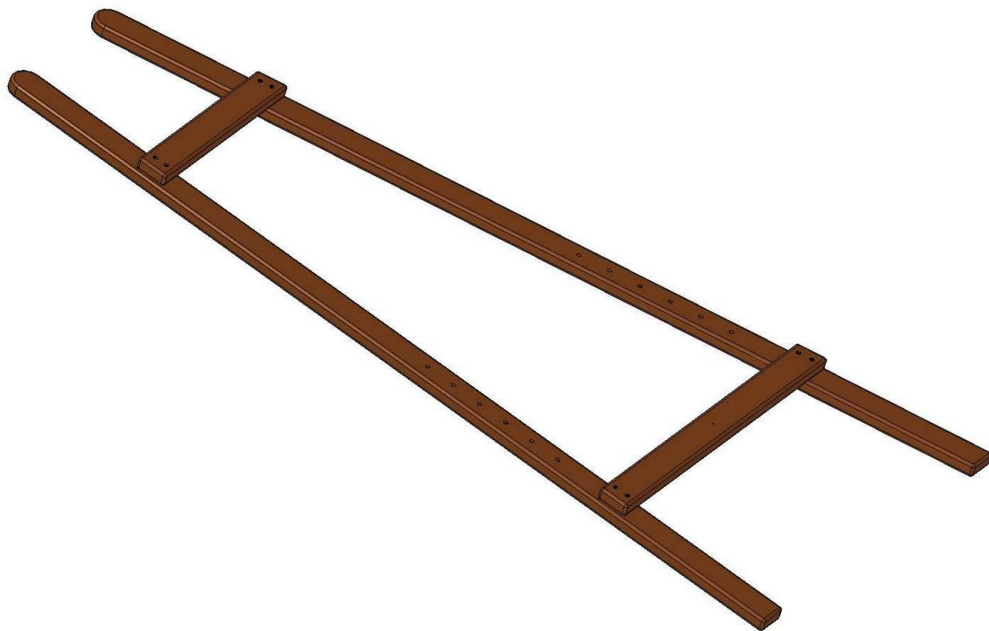
1.



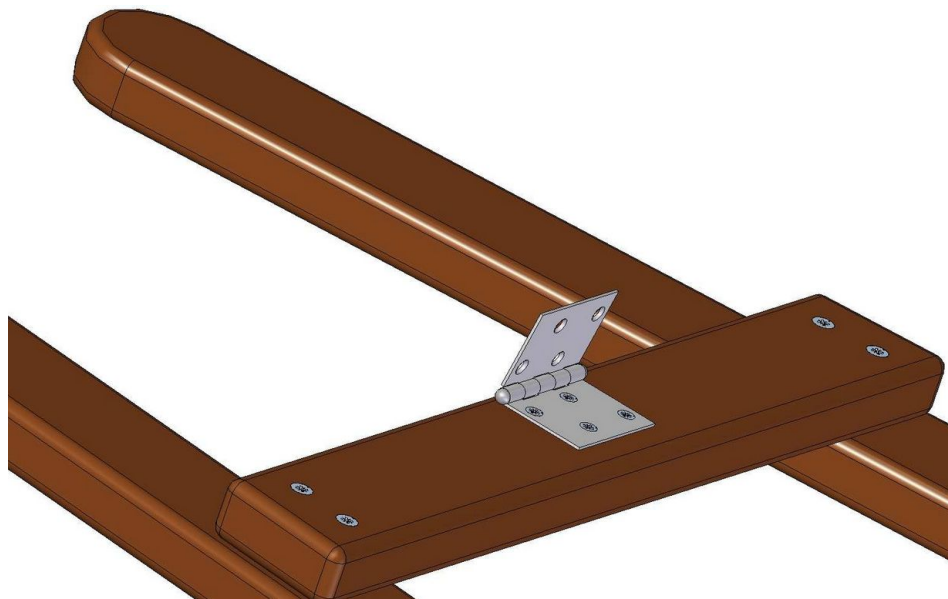
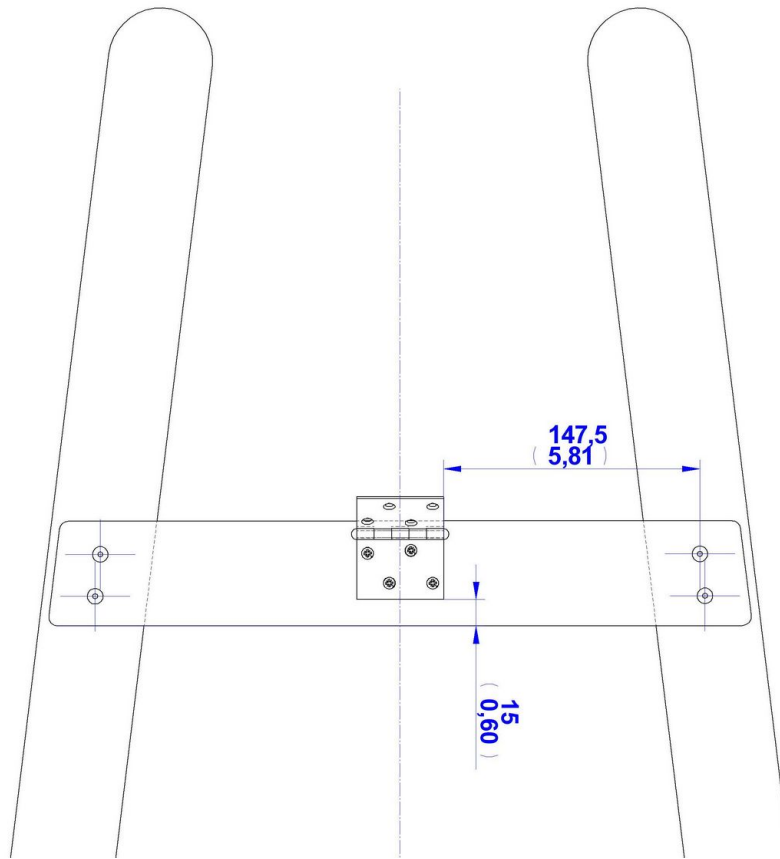


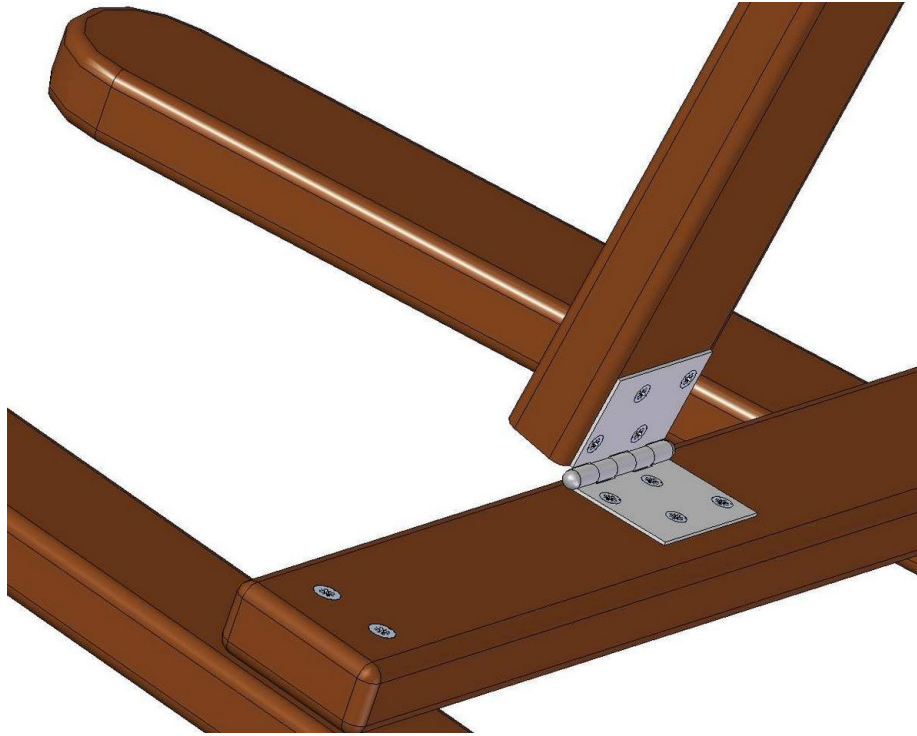
2.





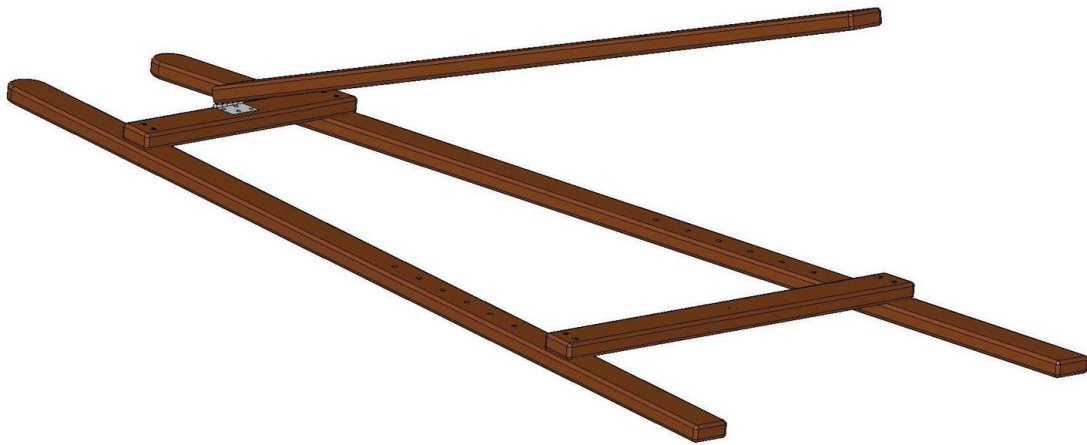
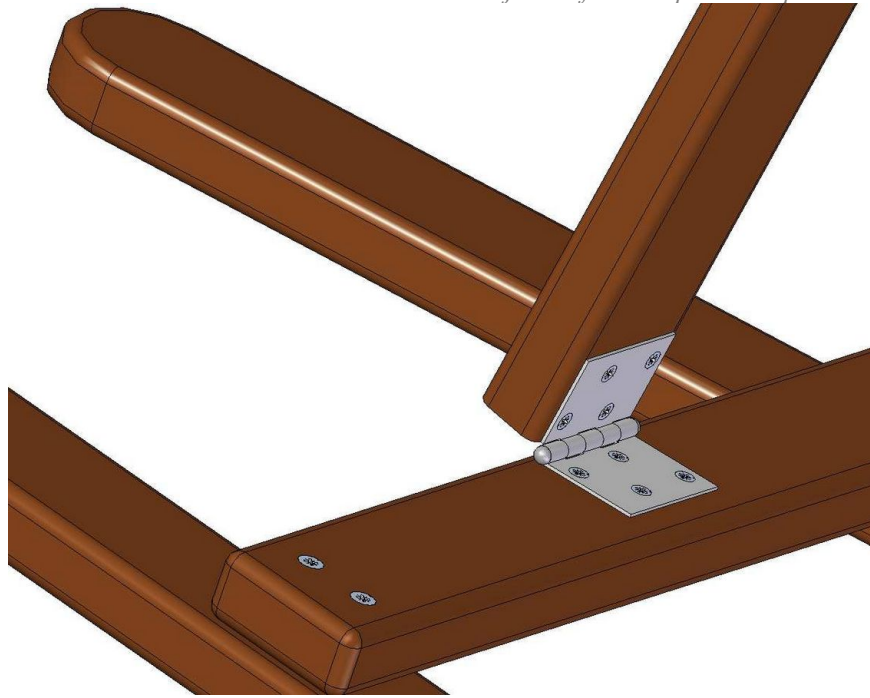
3.



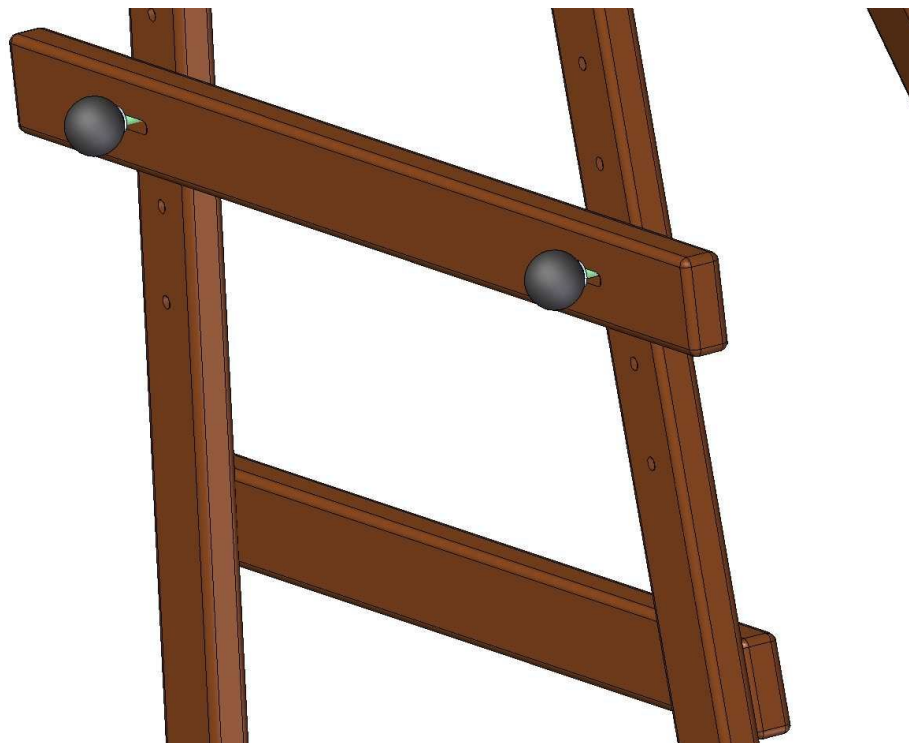
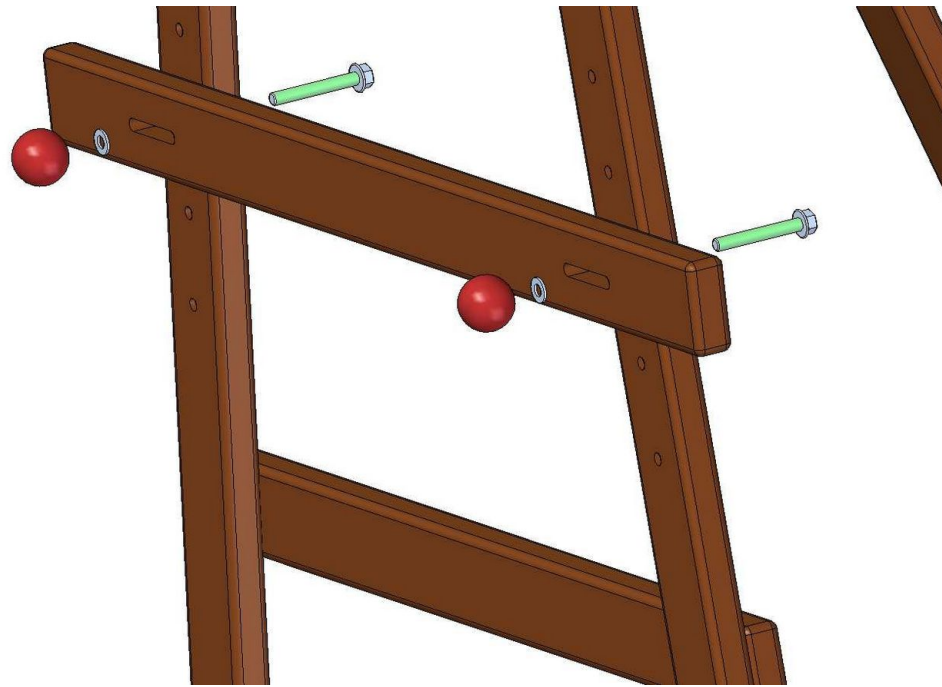


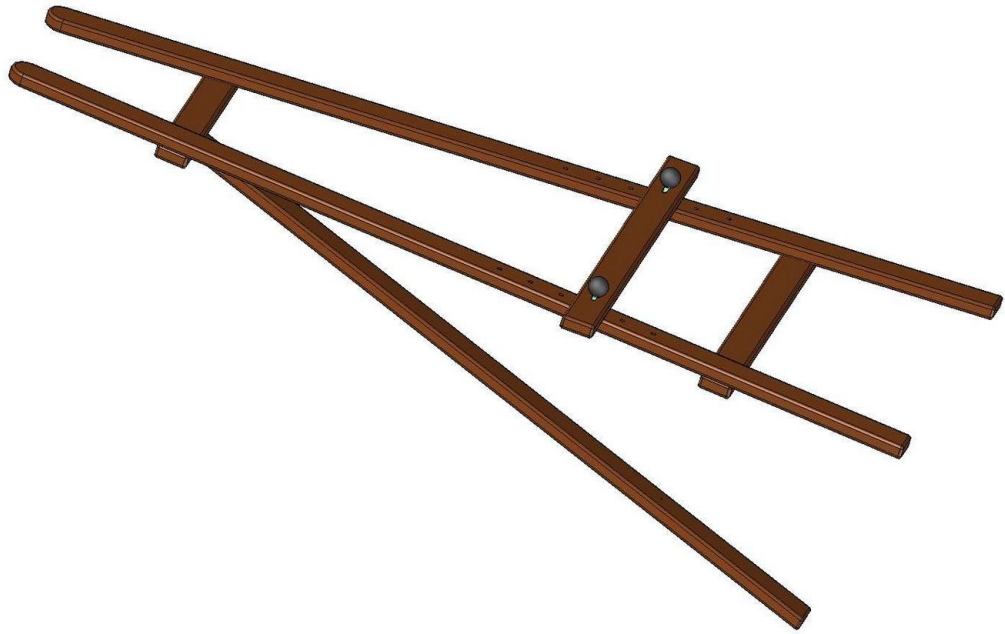
4.



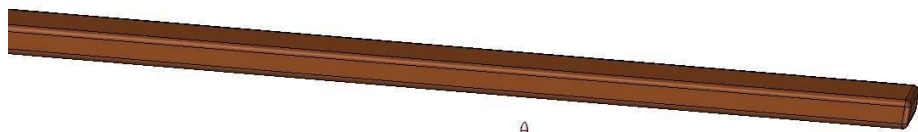


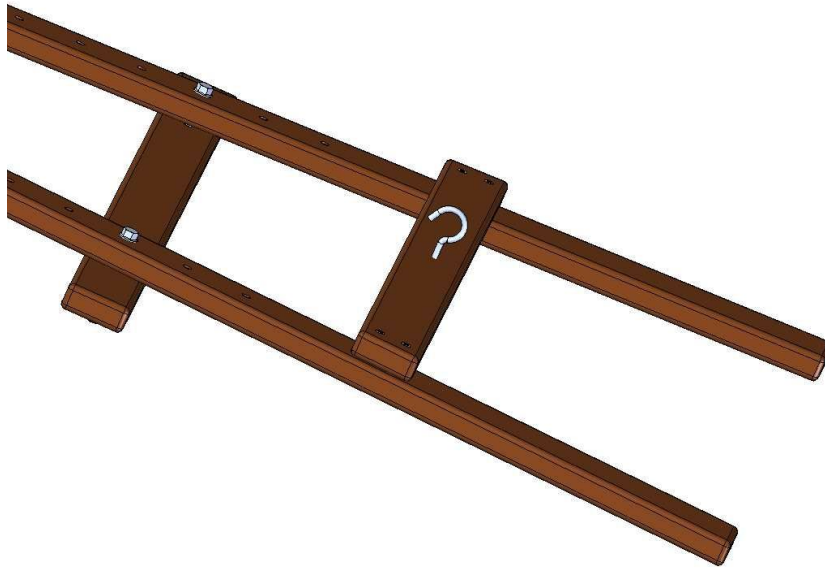
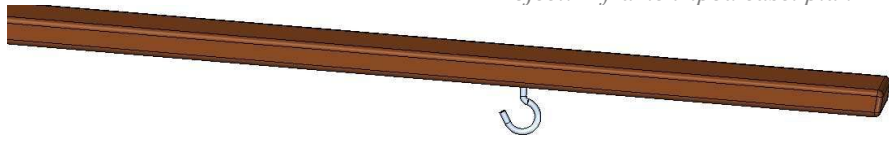
5.





6.





7.

