

Antique style jewelry box plan



Through centuries women had a special relation to jewelry. Whether it was family heirloom, expensive jewelry collection, or just a few symbolic decorative gifts, they tend to treasure and keep them safe and for that purpose the jewelry box was invented. Of course there are numerous kinds of jewelry boxes these days on the market, but in the past, these boxes were handmade for a long period of time and with a special meaning, and because of that, the antique jewelry boxes have that unique spirit and perfect style.

Our antique style jewelry box plan offers you a beautiful traditional jewelry box of wooden construction with an authentic decoration on the top chest and a lock. It has two larger drawers where you can hold all your jewelry collection and other precious things. So, if you make this jewelry box, it will be one of the favorite things in your home, and it will last a life time if taken care of properly.

The idea for this box is based on a cheap box from India that we own. We have made various changes to it, as well as some decorations using thin sheet metal that is fixed to the box construction with small decorative nails. Of course it is best to design the decorations yourselves, we have drawn them here just to show you how much they can beautify the box.

The box can be easily modified to suit different types of jewelry by making compartments of various sizes at the top level, making one drawer instead of two, or by increasing/reducing the dimensions of the entire box. The complete construction of the box and drawers was made using various types of rabbet and dado woodworking joints. These are not complex woodworking joints, you can make them quite easily on various woodworking machines and power tools, which facilitates the making of the box.

The making of the box is not complicated because most parts are of simple geometry, and the whole box construction is assembled with glue. You can also make various decorative handles, hinges and locks on your own, or buy them in specialized stores. The hardest part is the 'rounded cover' (Part 1

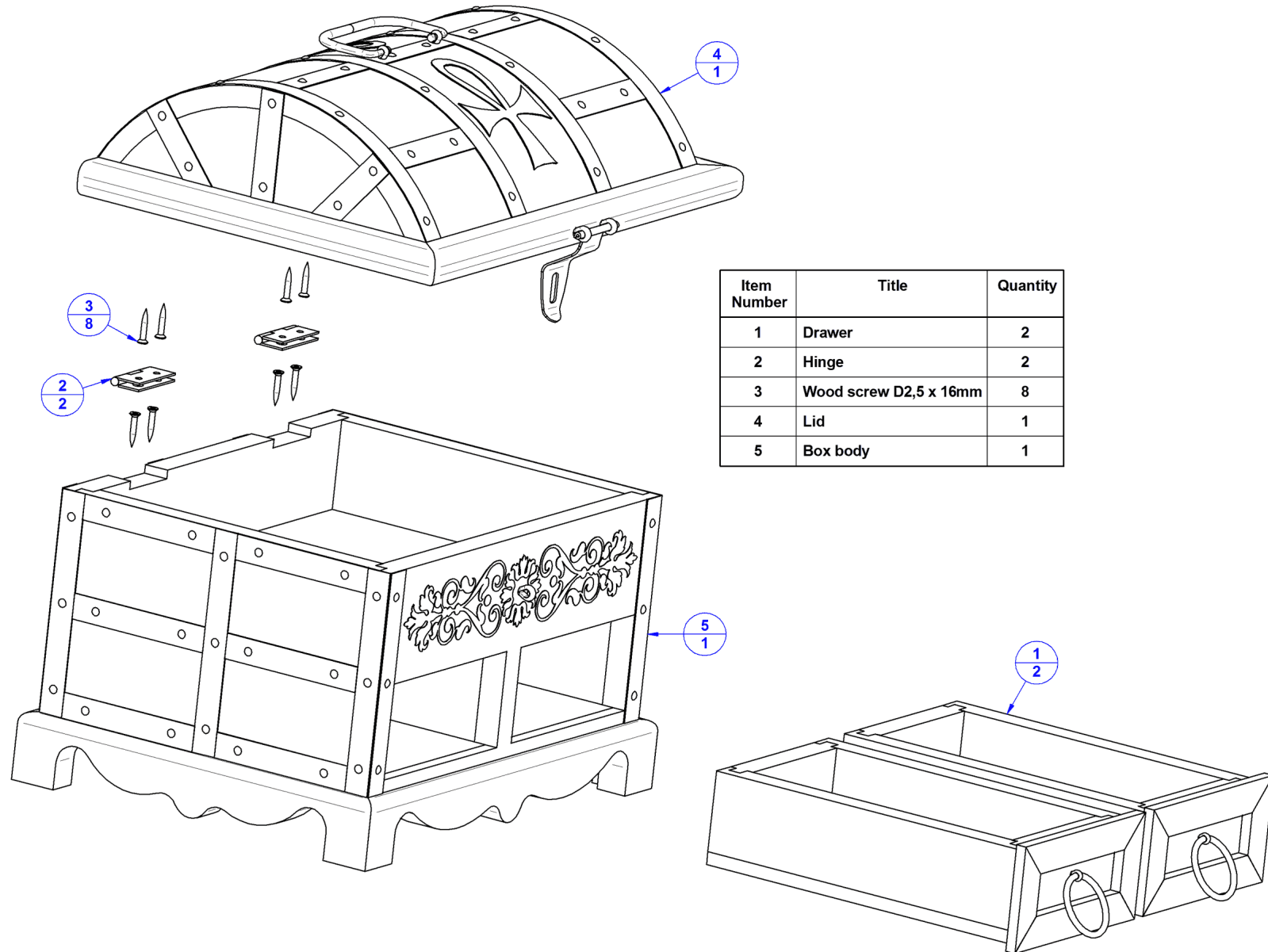
– Lid subassembly), which can be made in different ways:

- by cutting cross-sectional segments and their gluing;
- by cutting longitudinal strips and their gluing;
- by (hand) chiseling, i.e., using carving technique.

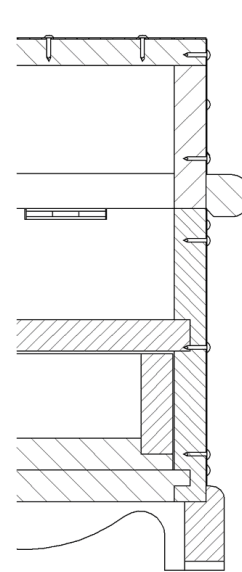
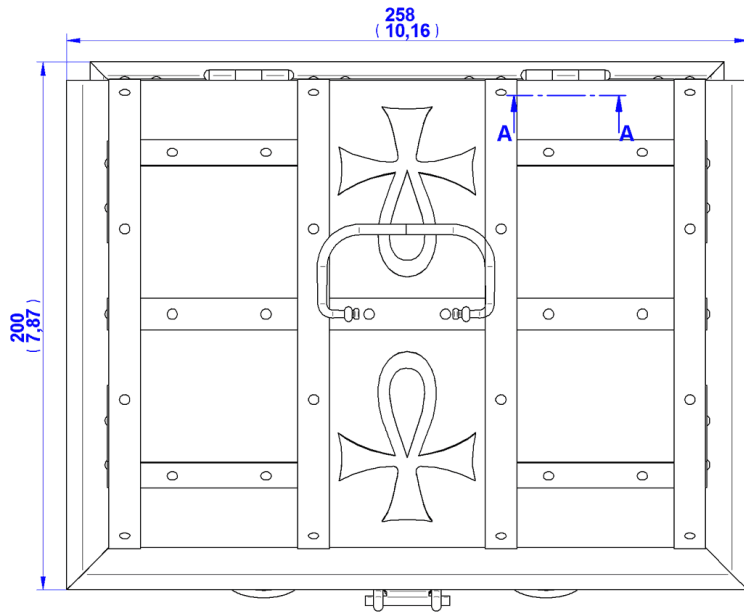
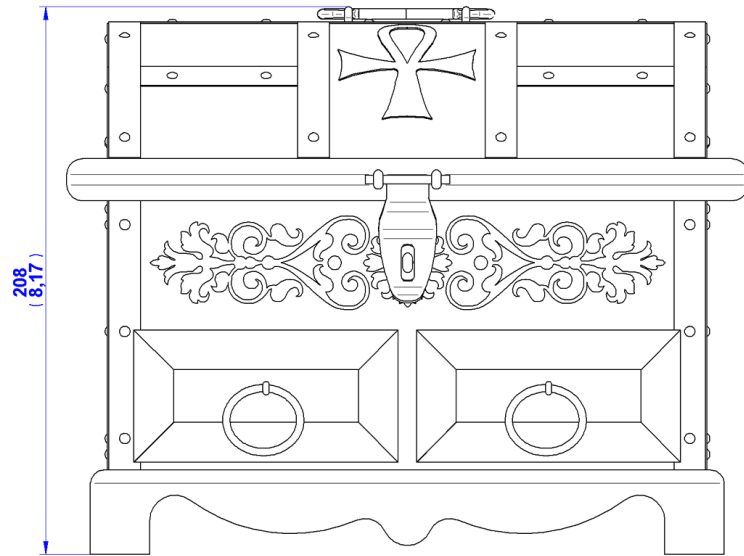
In any case, a lot of sanding is necessary.

We leave the finish to your taste. The only we would like to point out is that the original Indian box is dark brown, the metal decorations dark, almost black, and such a choice of colors makes the box very beautiful. As far as the knowledge, experience and equipment of the workshop are concerned, the making of this box is a medium demand project. As far as decorating is concerned, if you have the patience and a sense of beauty, with the help of this project you can make a jewelry box of exceptional beauty.

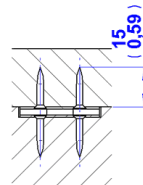
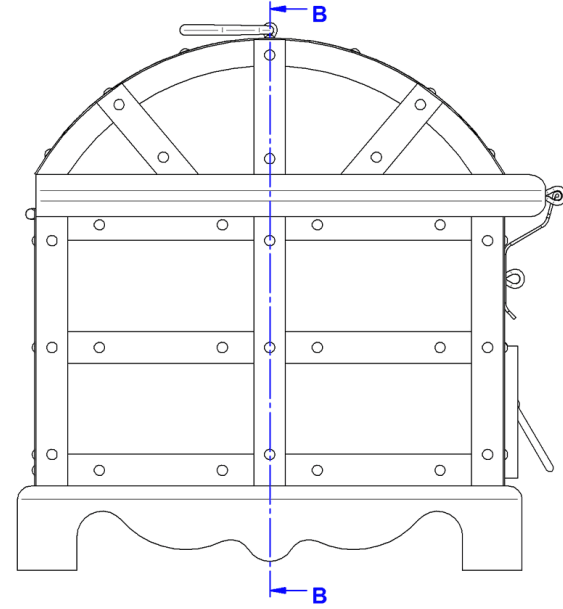
Sub-assembly list



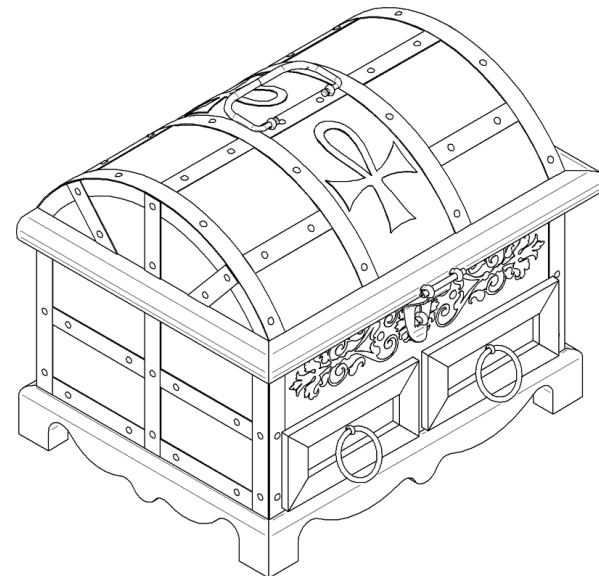
Assembly 2D drawing



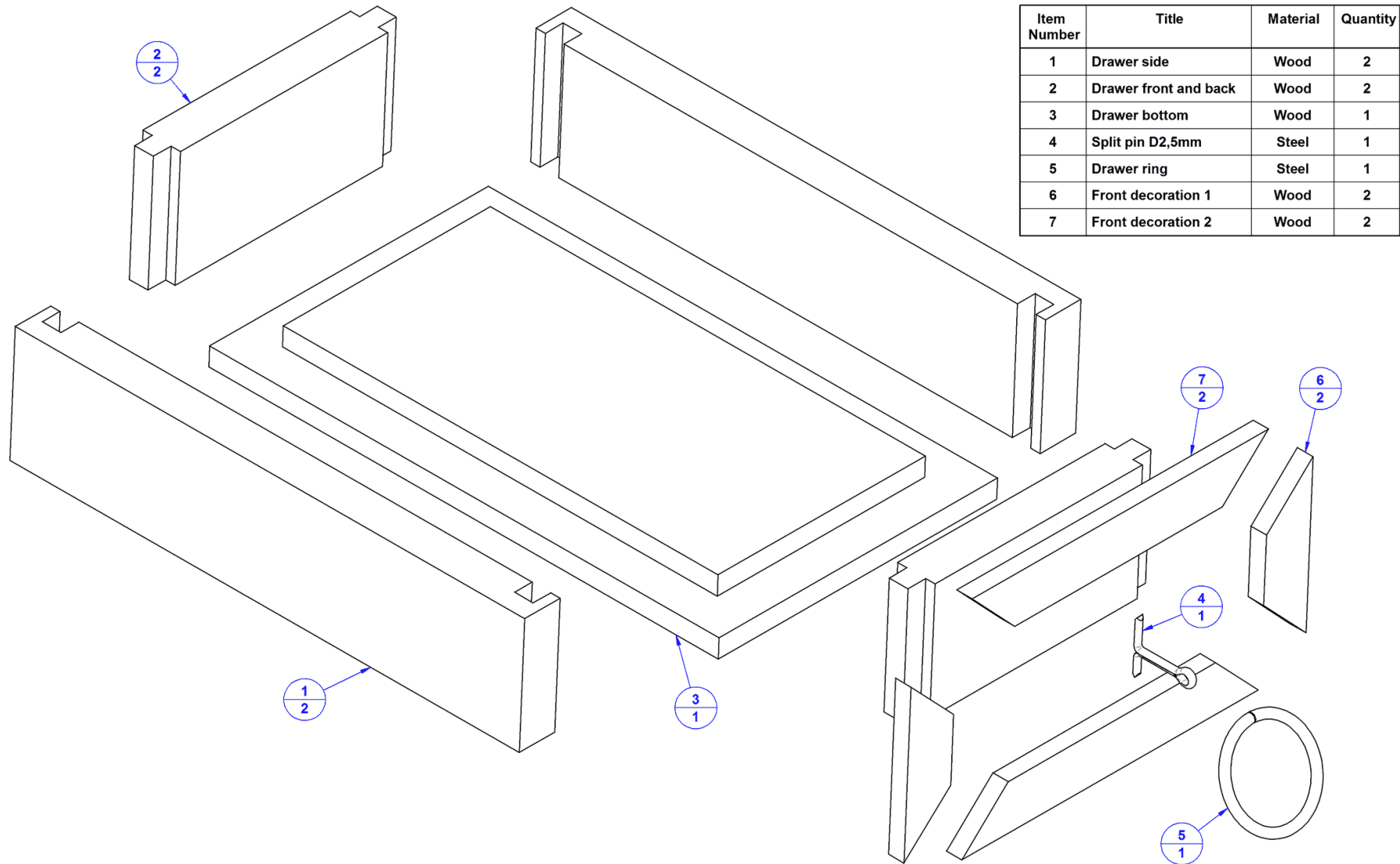
SECTION B-B



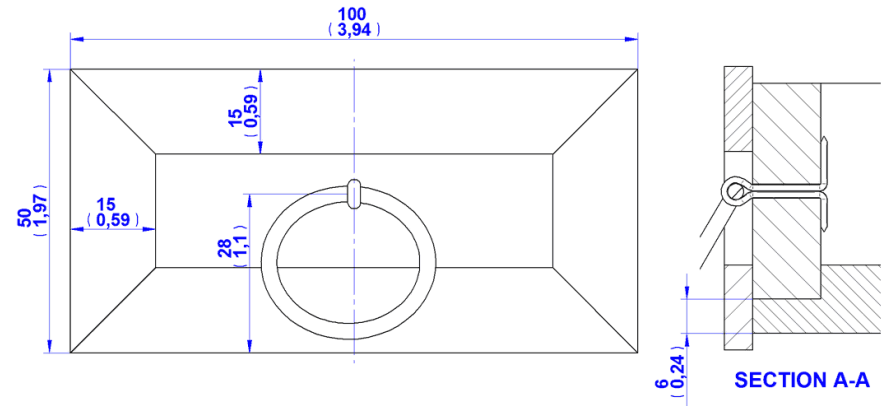
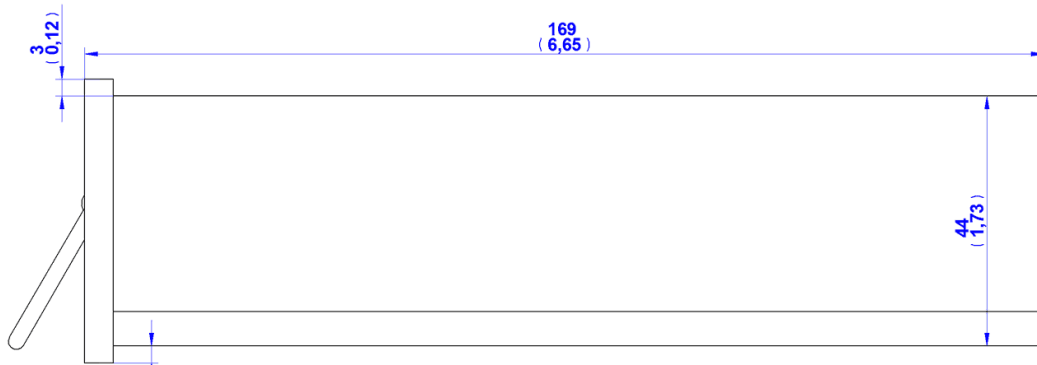
SECTION A-A



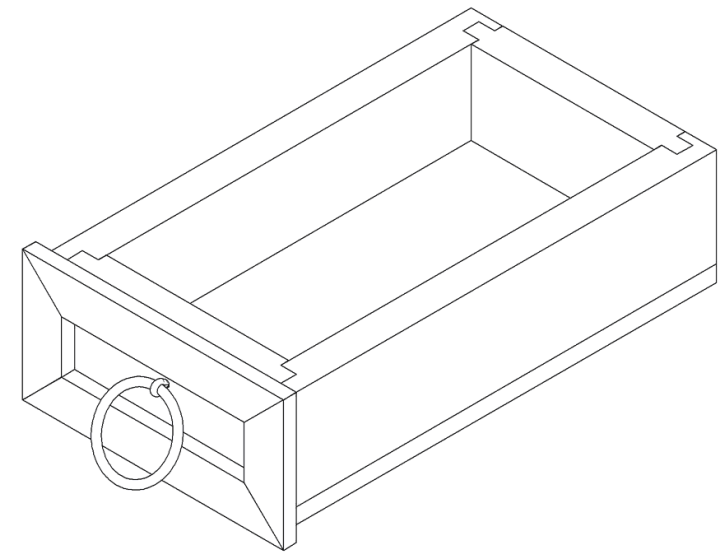
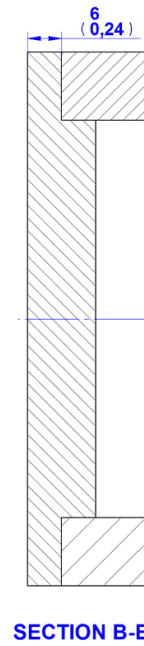
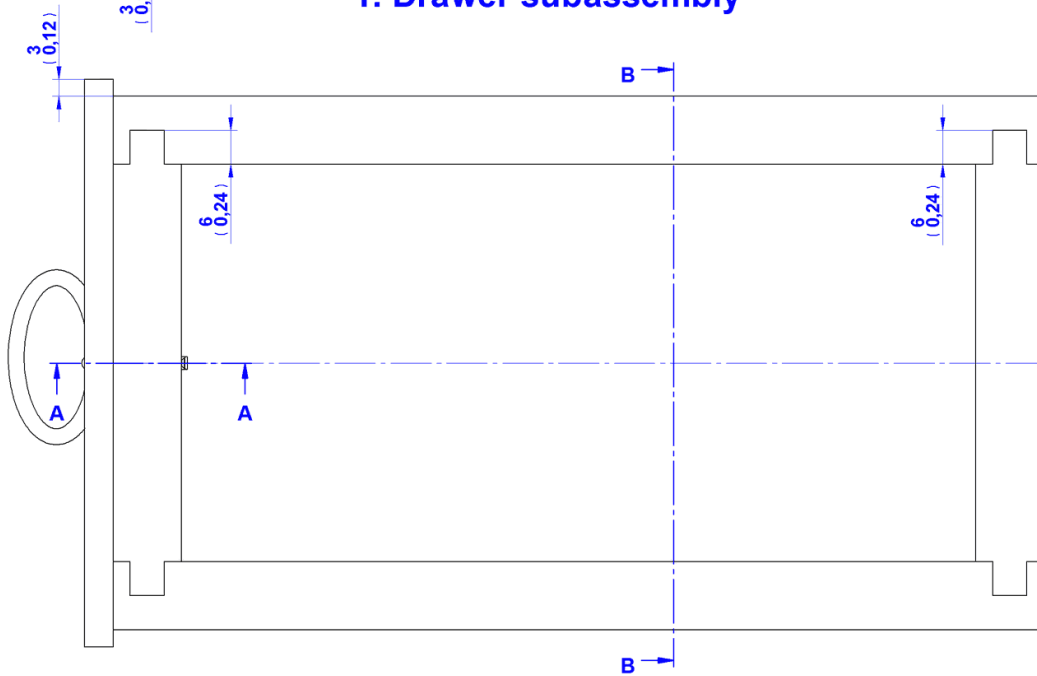
1. Drawer sub-assembly - parts list



Drawer sub-assembly drawing



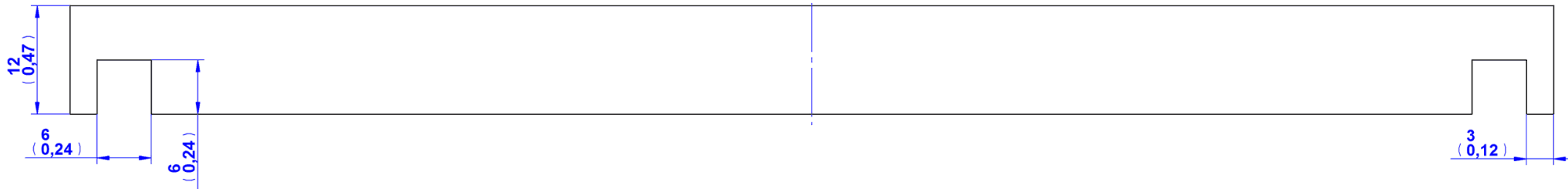
1. Drawer subassembly



164
(6,46)

1. Drawer side

38
(1,5)

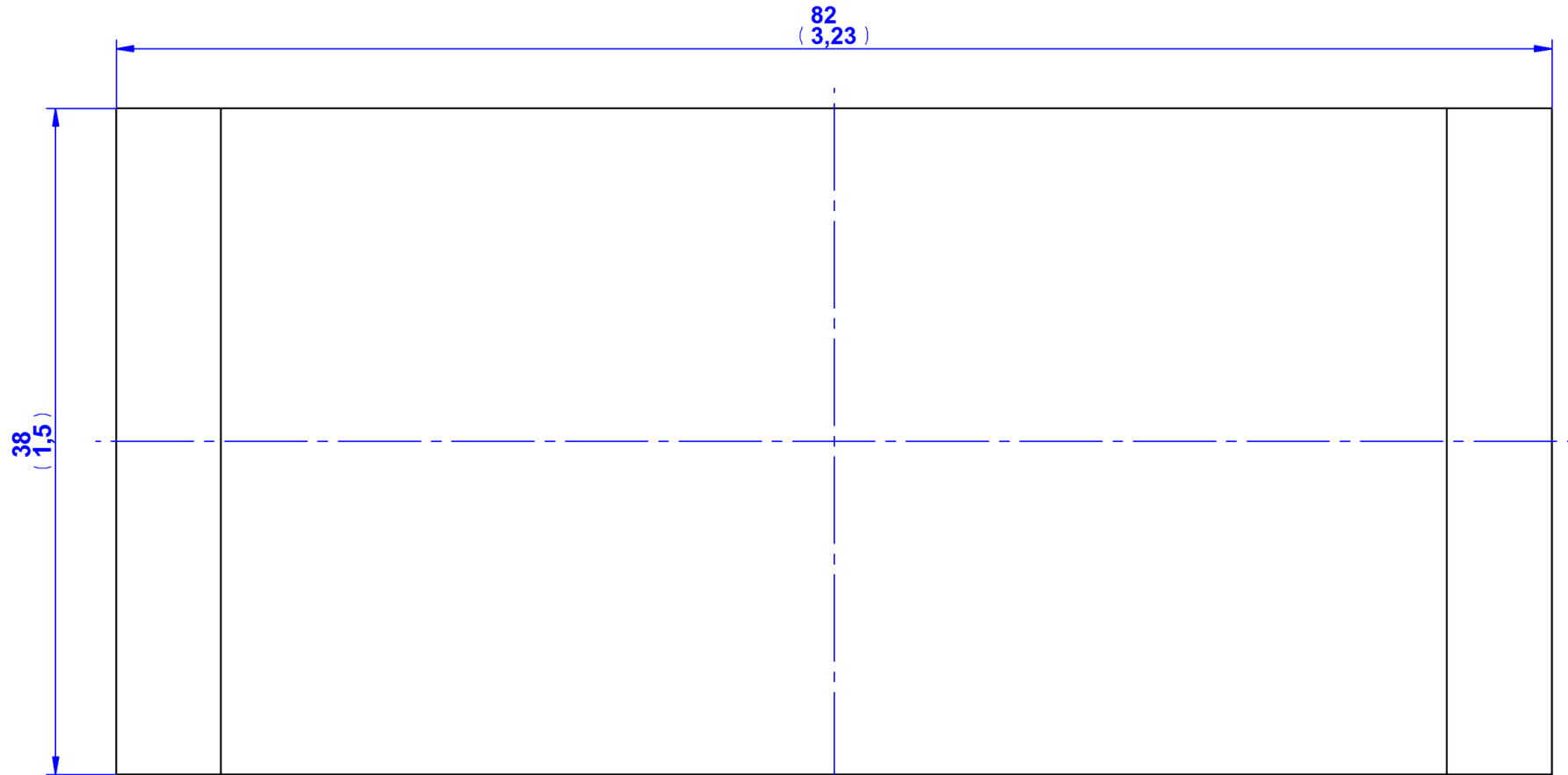


12
(0,47)

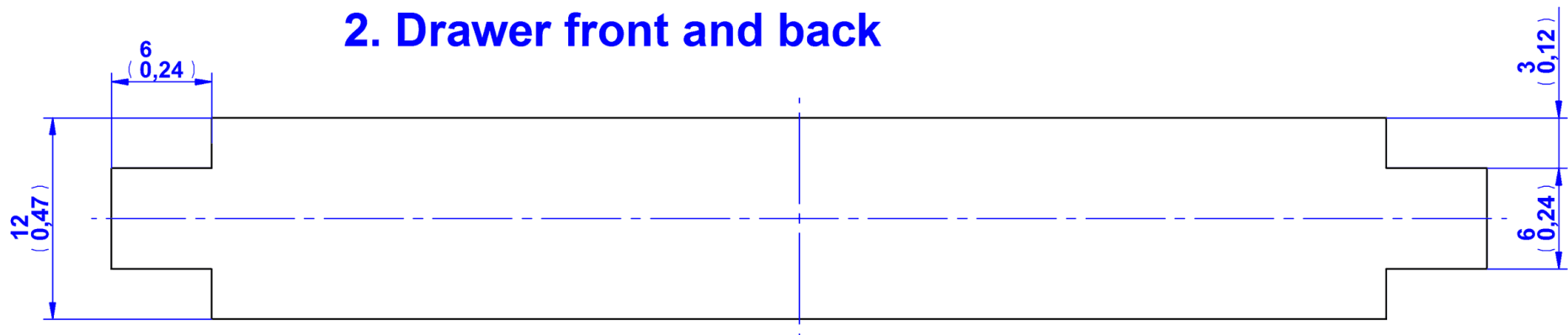
6
(0,24)

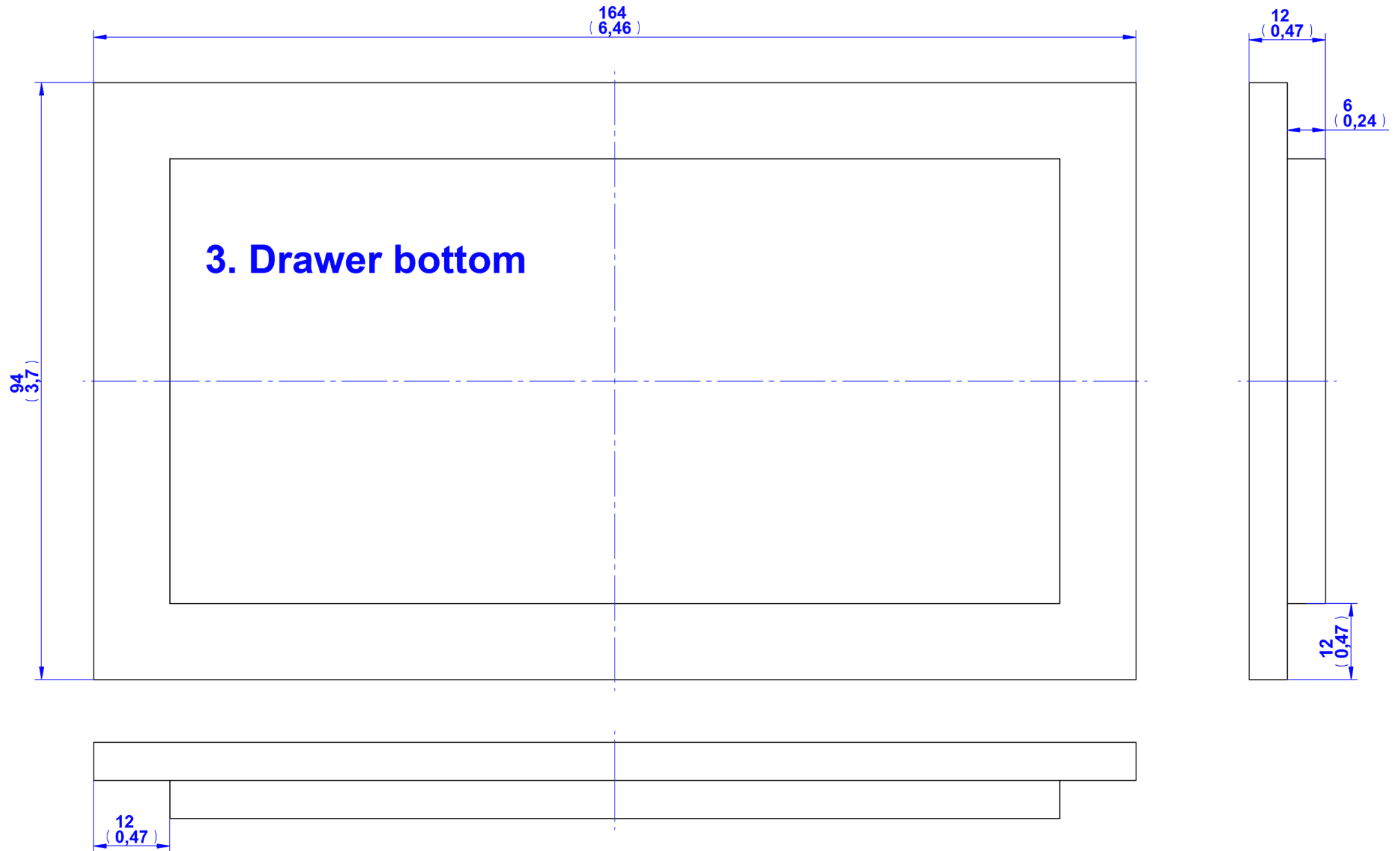
6
(0,24)

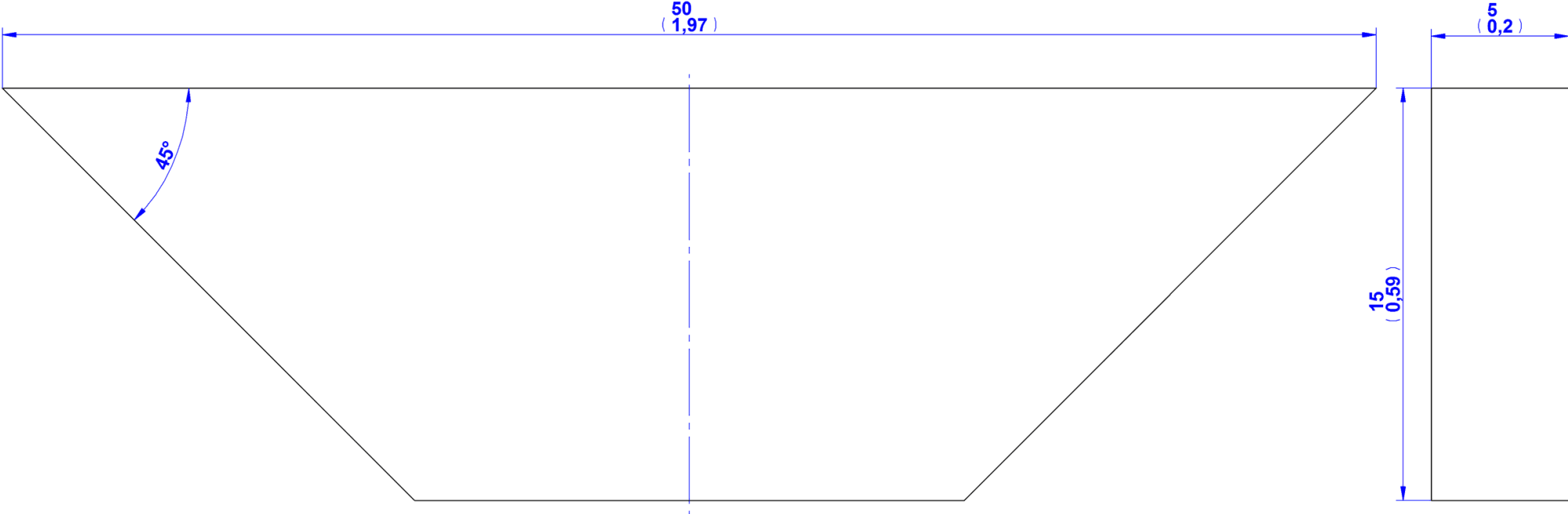
3
(0,12)



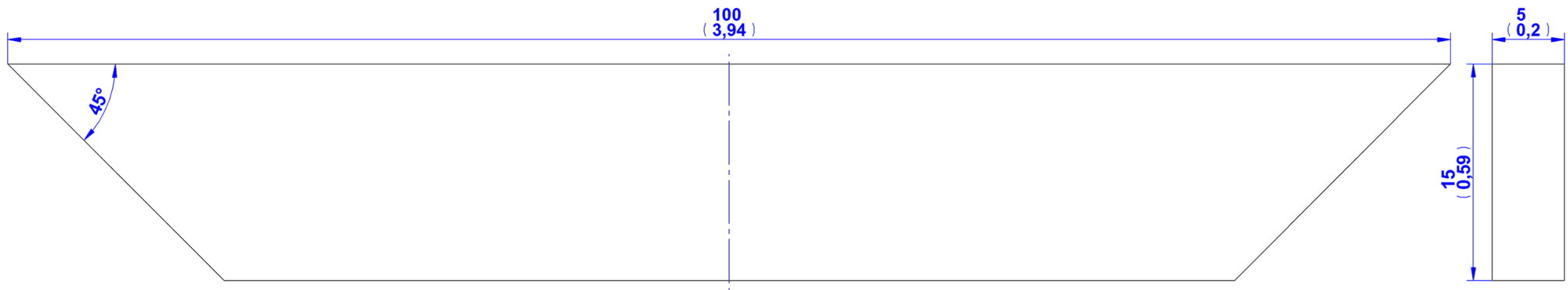
2. Drawer front and back



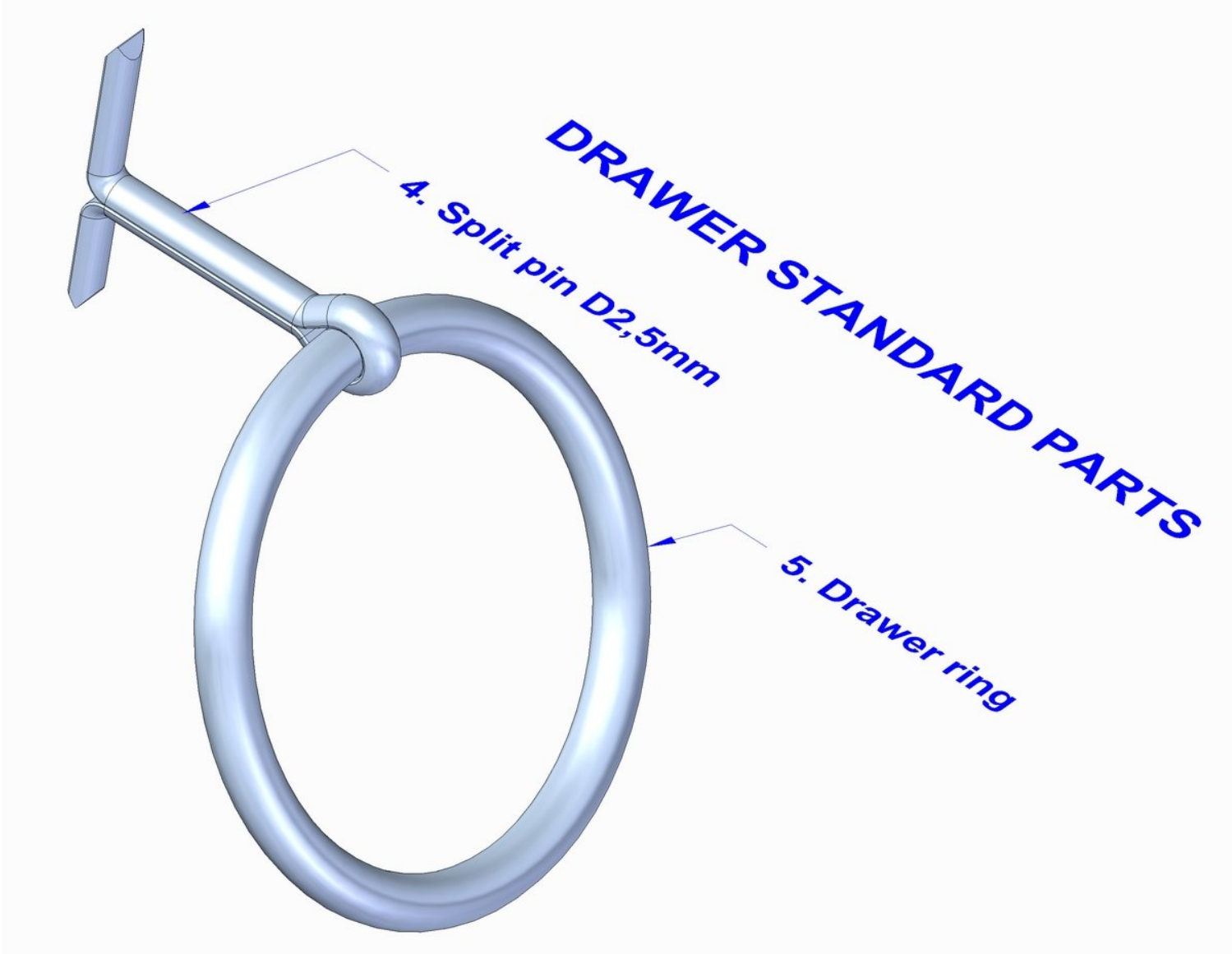




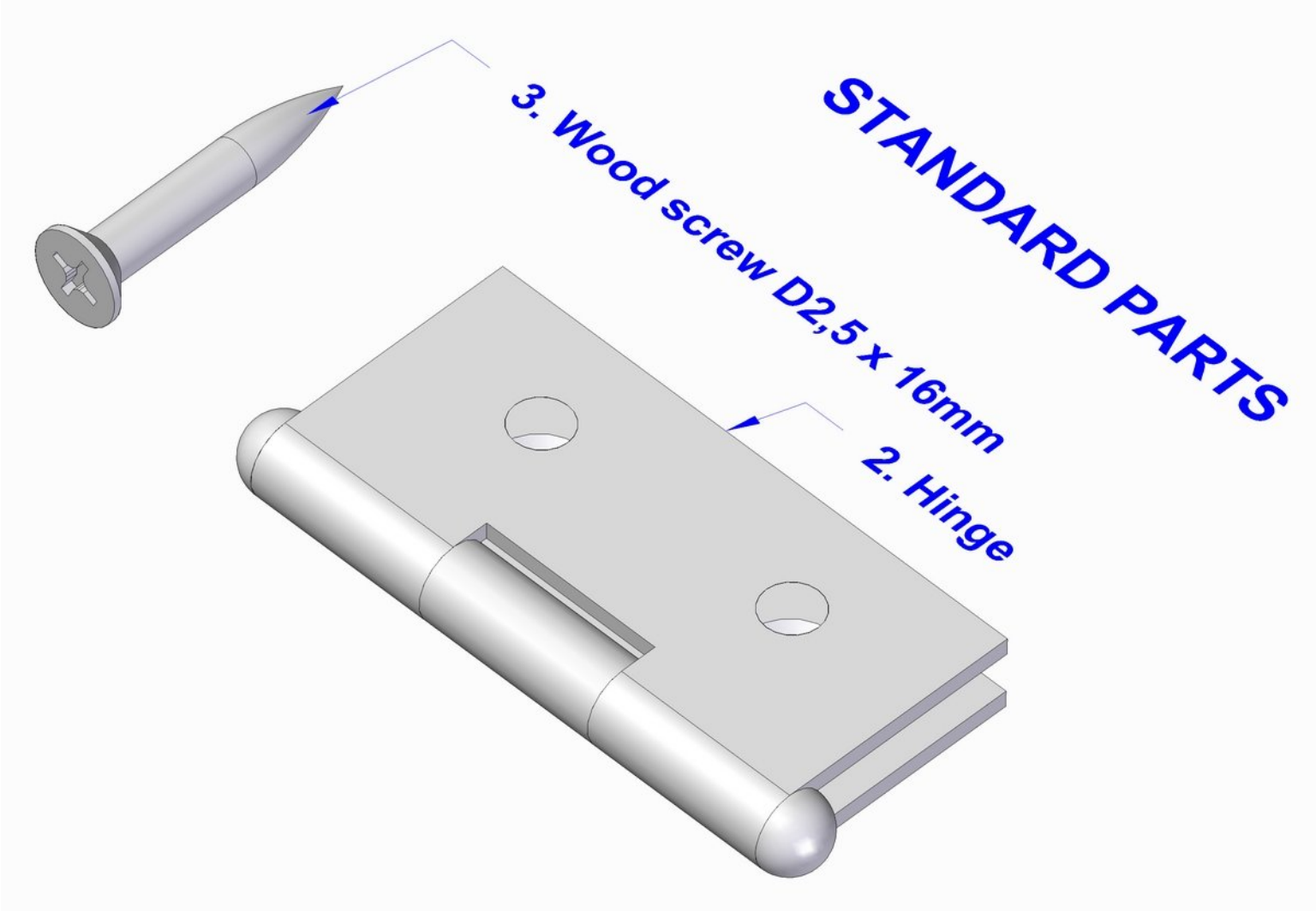
6. Front decoration 1



7. Front decoration 2

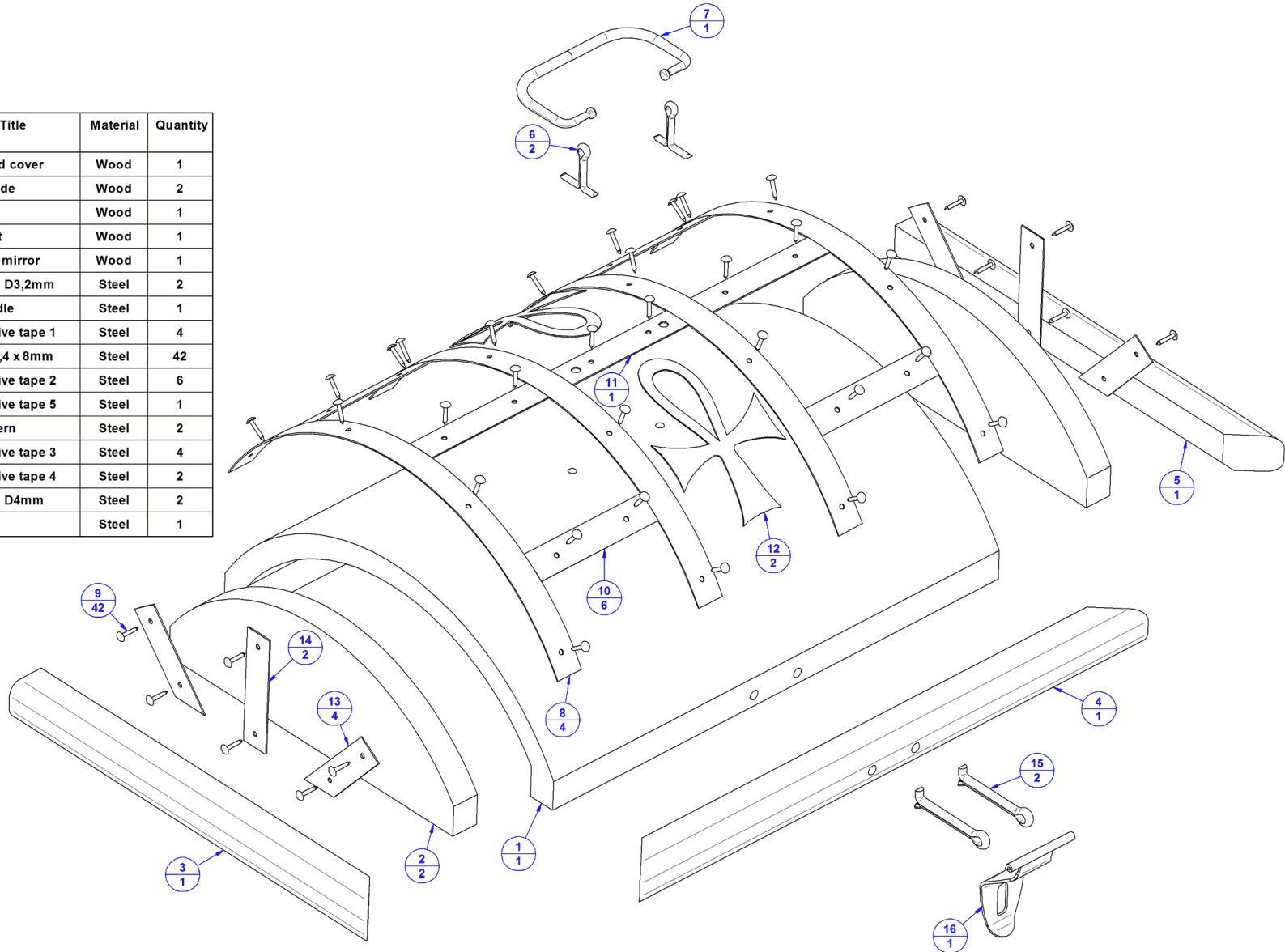


2 and 3. Antique style jewelry box– Standard parts

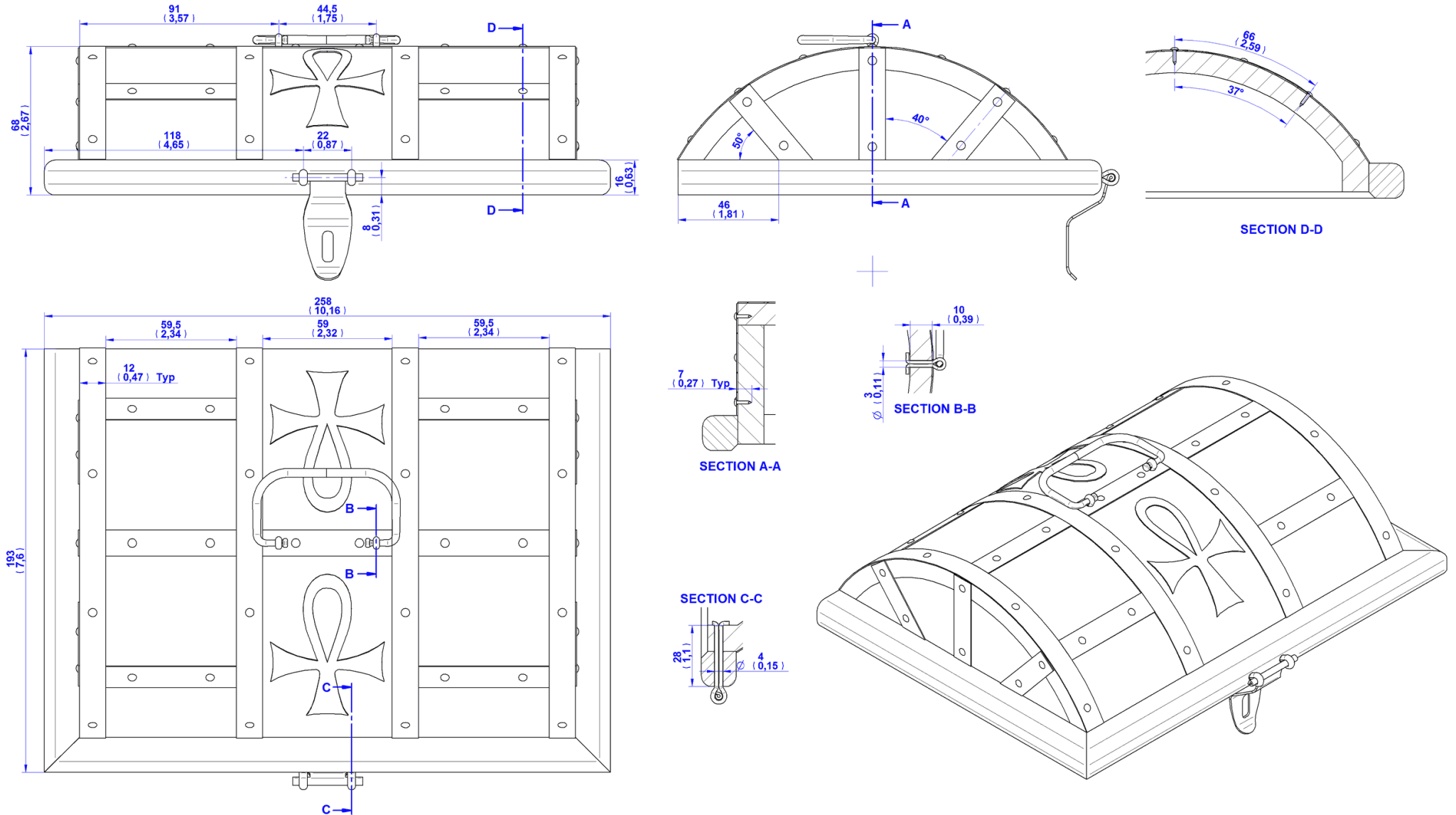


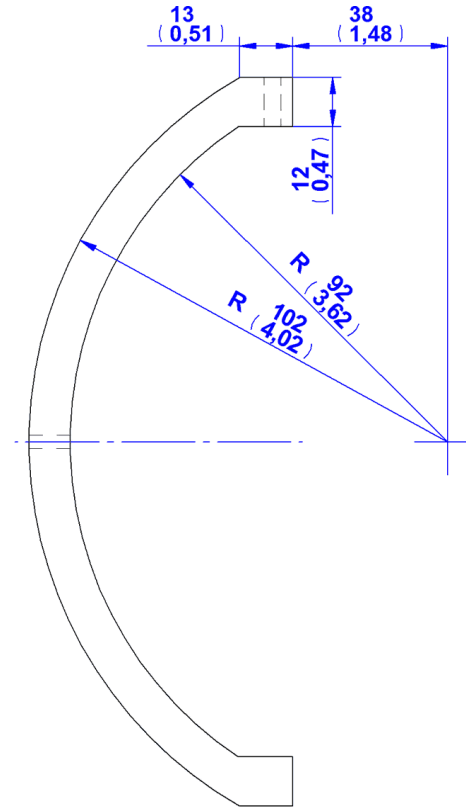
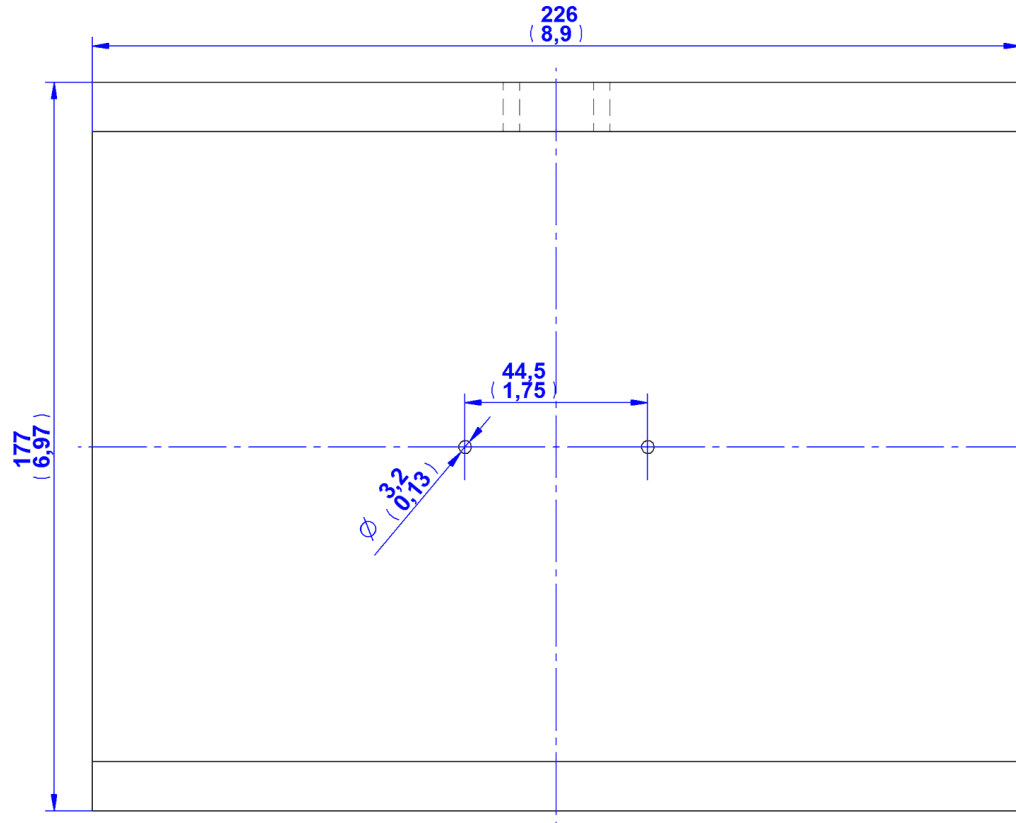
4. Lid subassembly – Parts list

Item Number	Title	Material	Quantity
1	Rounded cover	Wood	1
2	Cover side	Wood	2
3	Lid side	Wood	1
4	Lid front	Wood	1
5	Lid side mirror	Wood	1
6	Split pin D3,2mm	Steel	2
7	Lid handle	Steel	1
8	Decorative tape 1	Steel	4
9	Tack D1,4 x 8mm	Steel	42
10	Decorative tape 2	Steel	6
11	Decorative tape 5	Steel	1
12	Lid pattern	Steel	2
13	Decorative tape 3	Steel	4
14	Decorative tape 4	Steel	2
15	Split pin D4mm	Steel	2
16	Lid lock	Steel	1

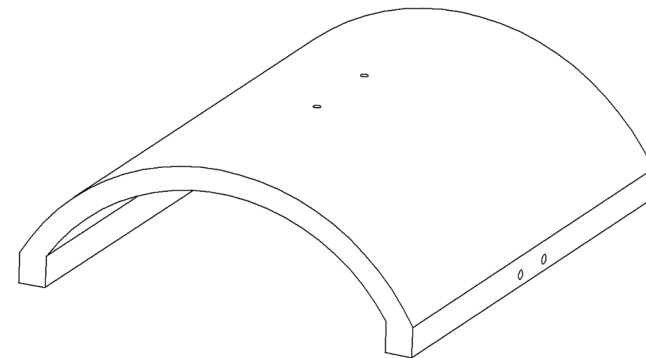
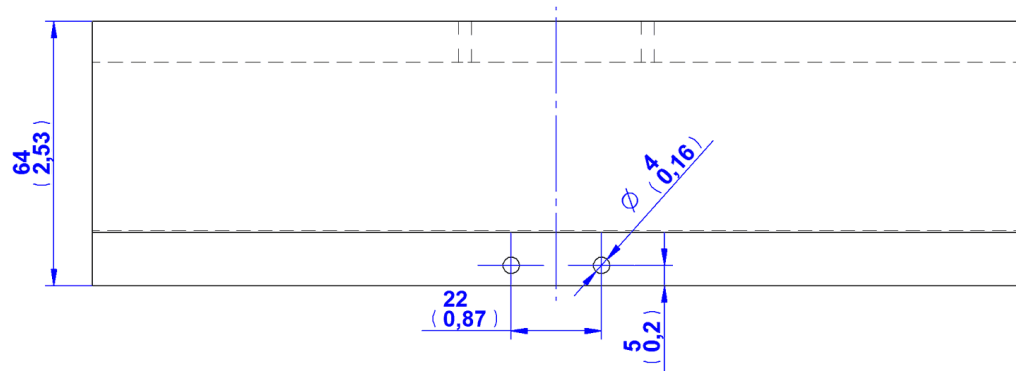


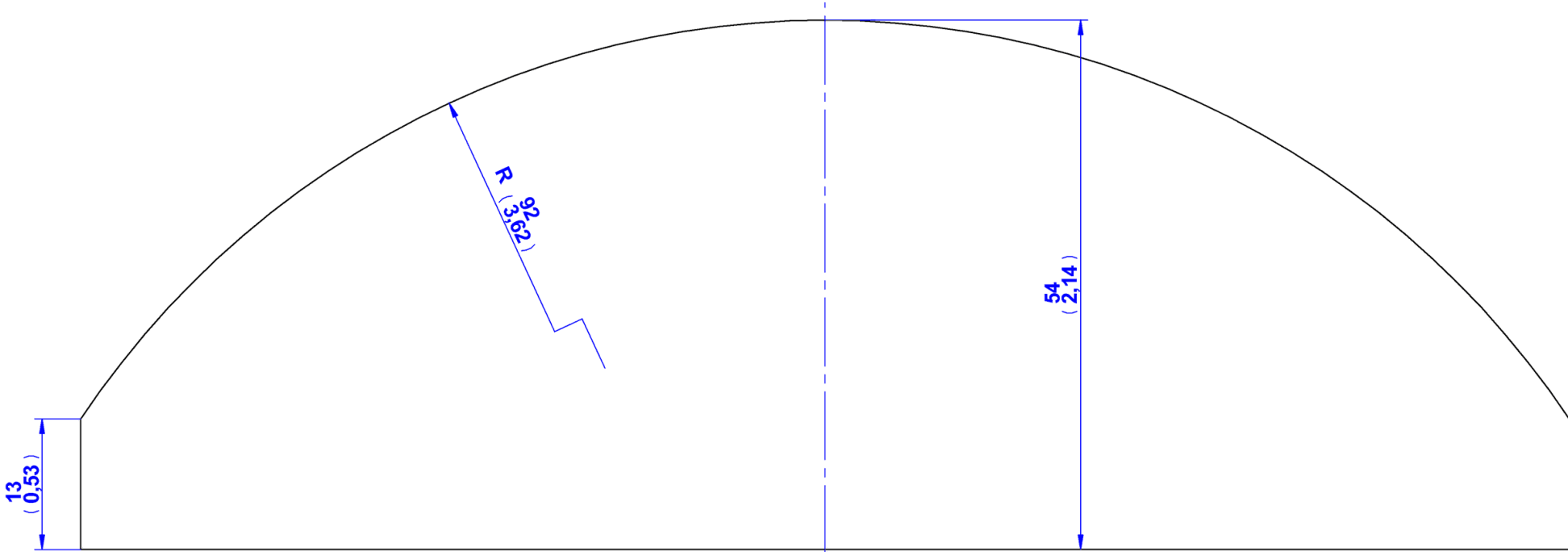
Lid subassembly drawing



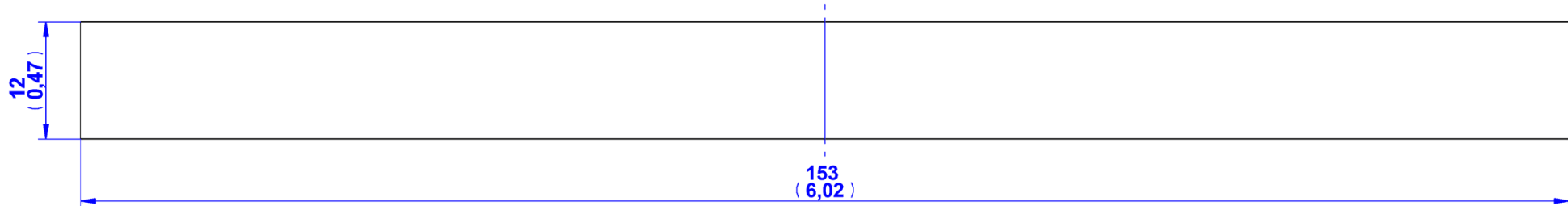


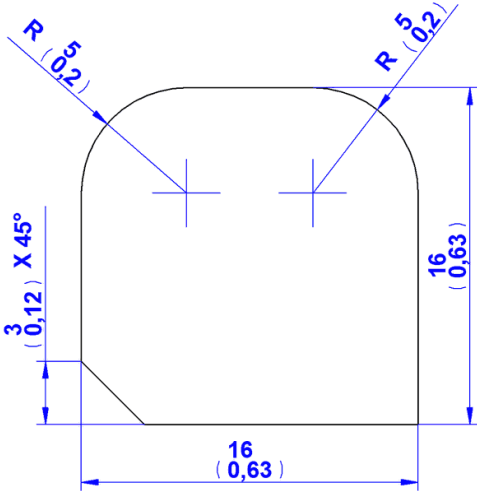
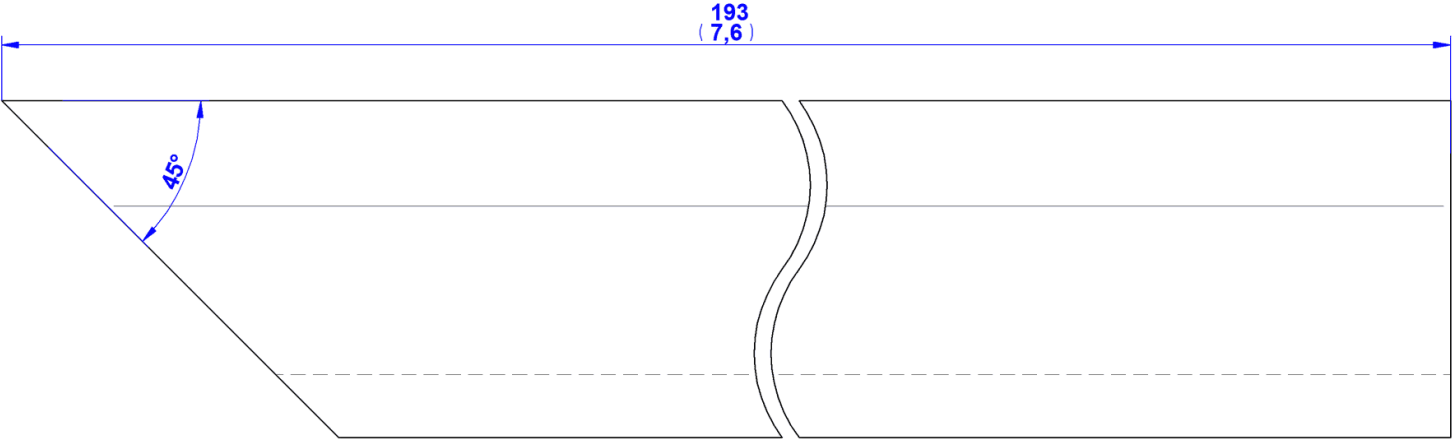
1. Rounded cover



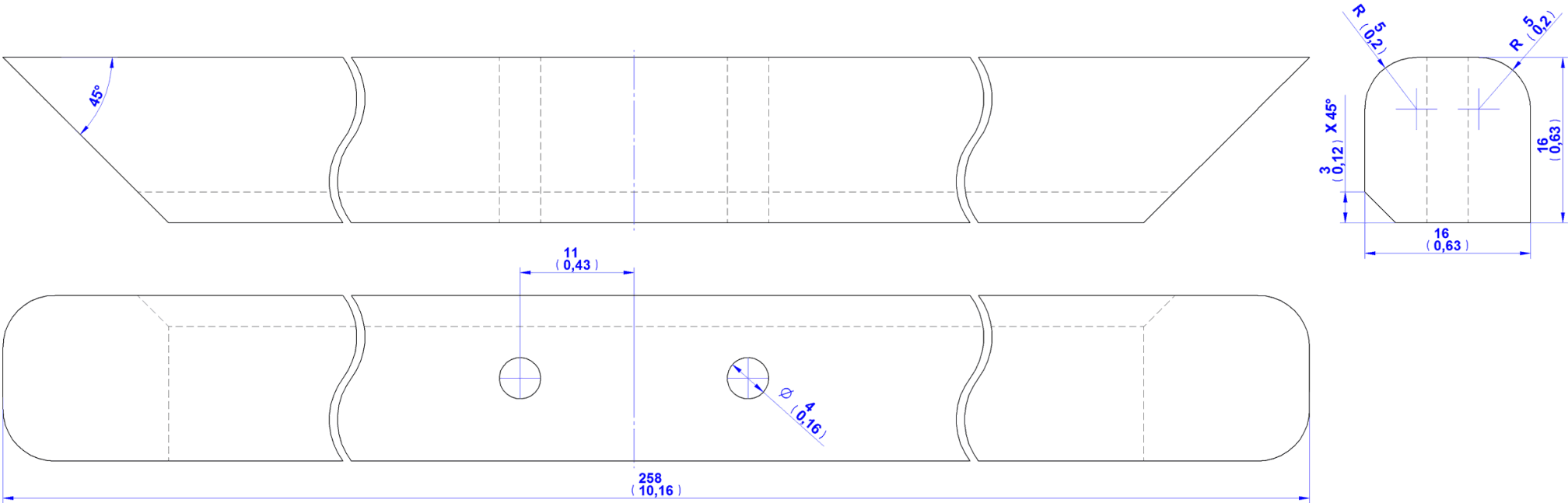


2. Cover side

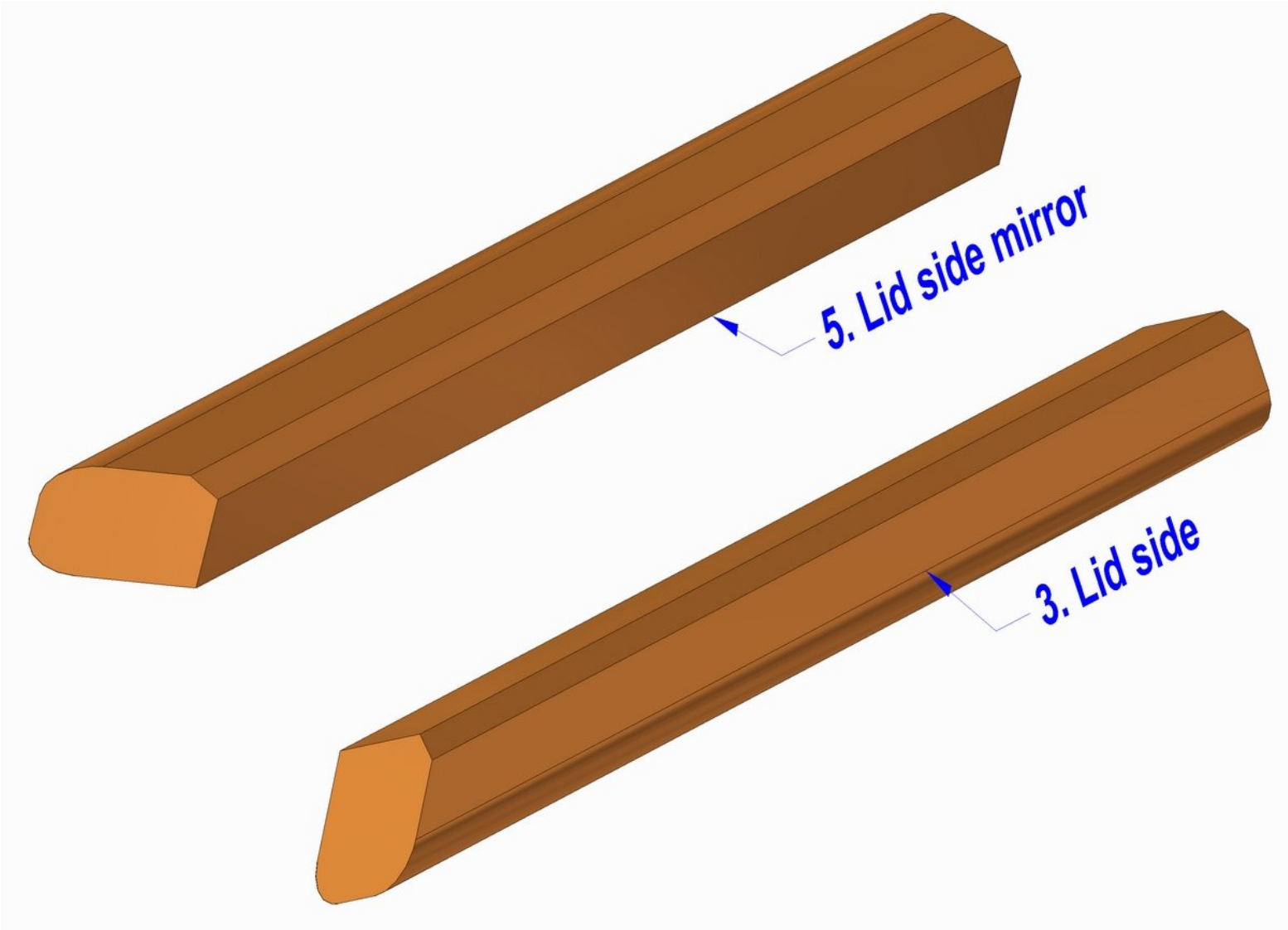


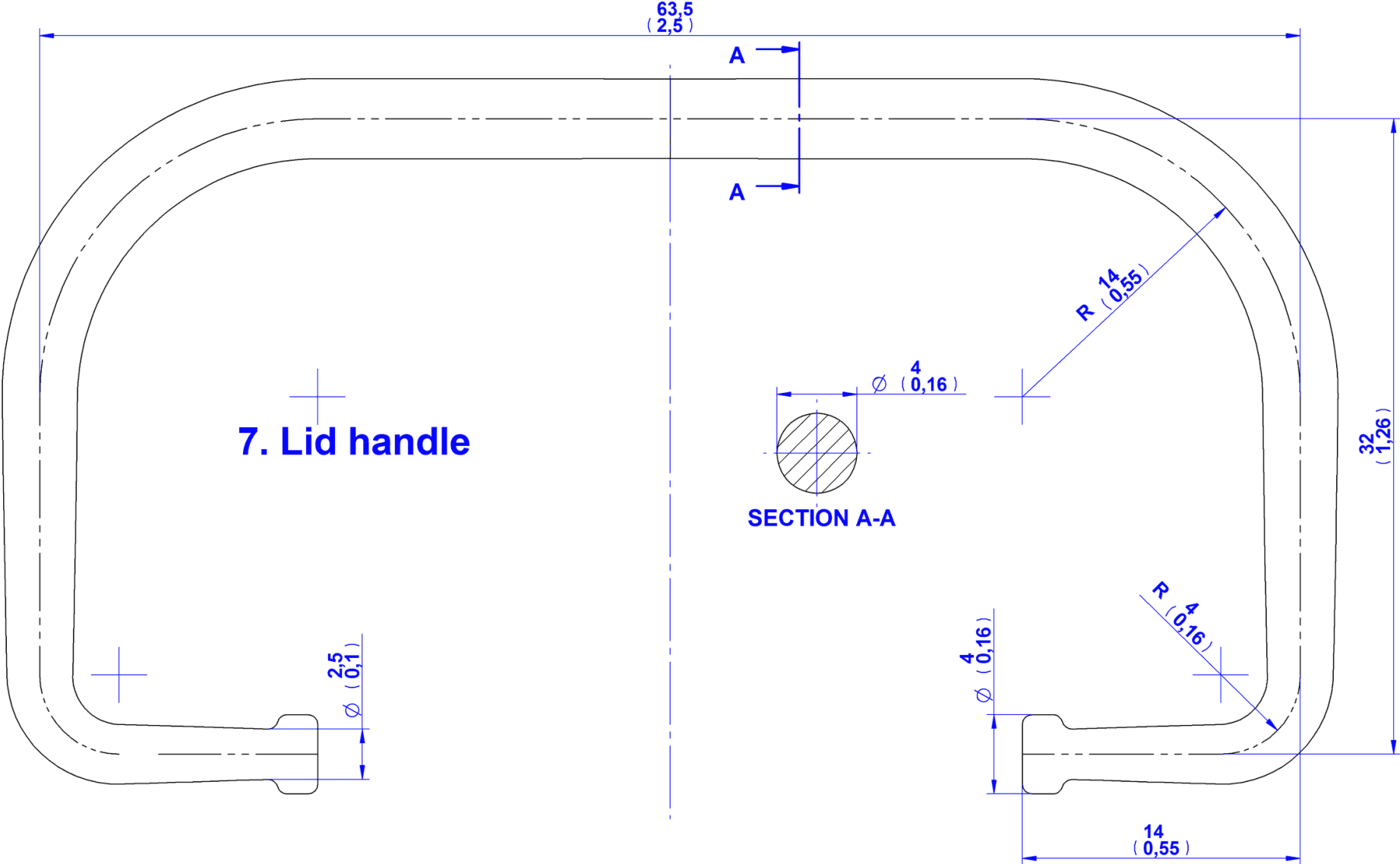


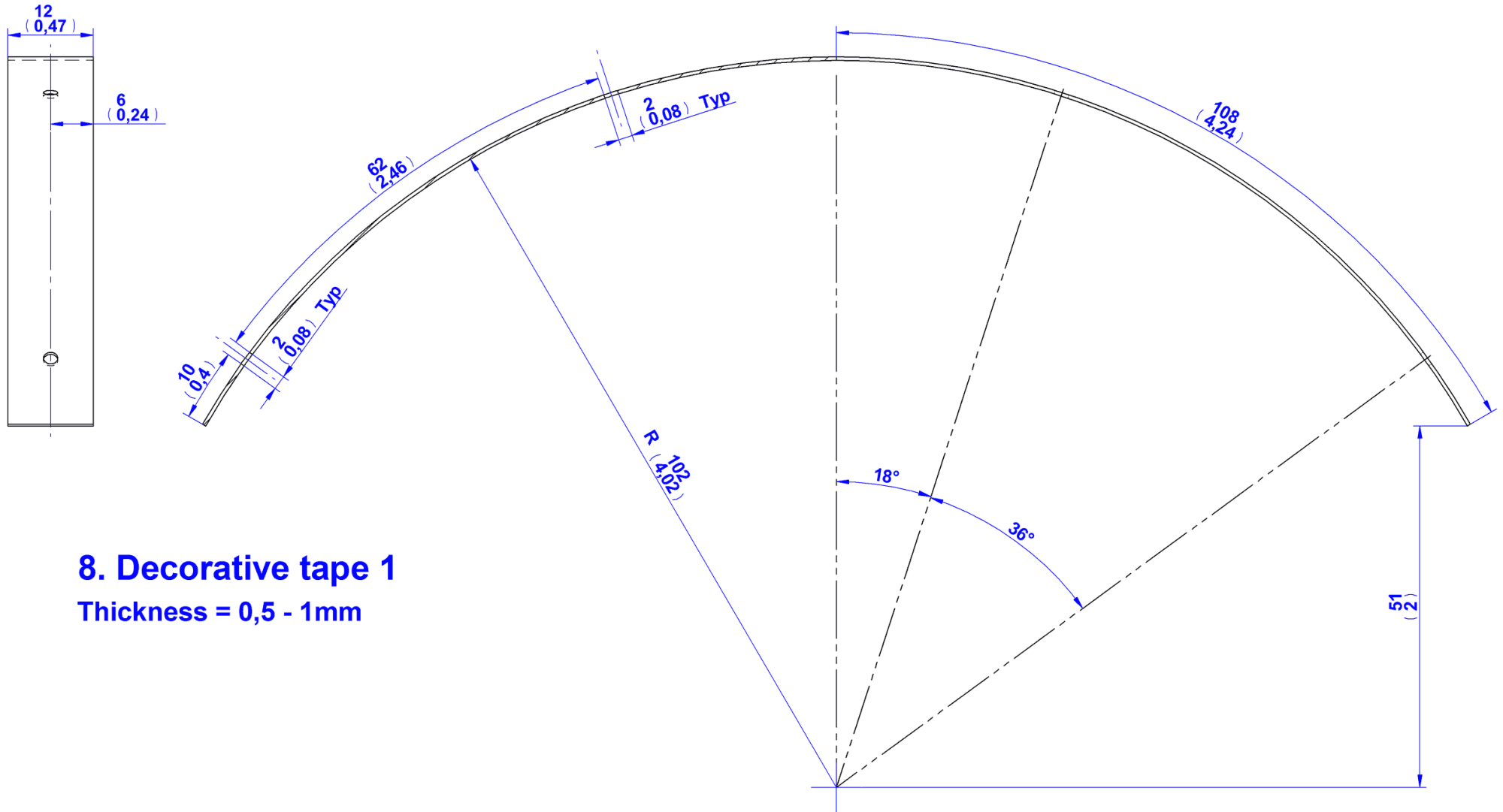
3. Lid side



4. Lid front

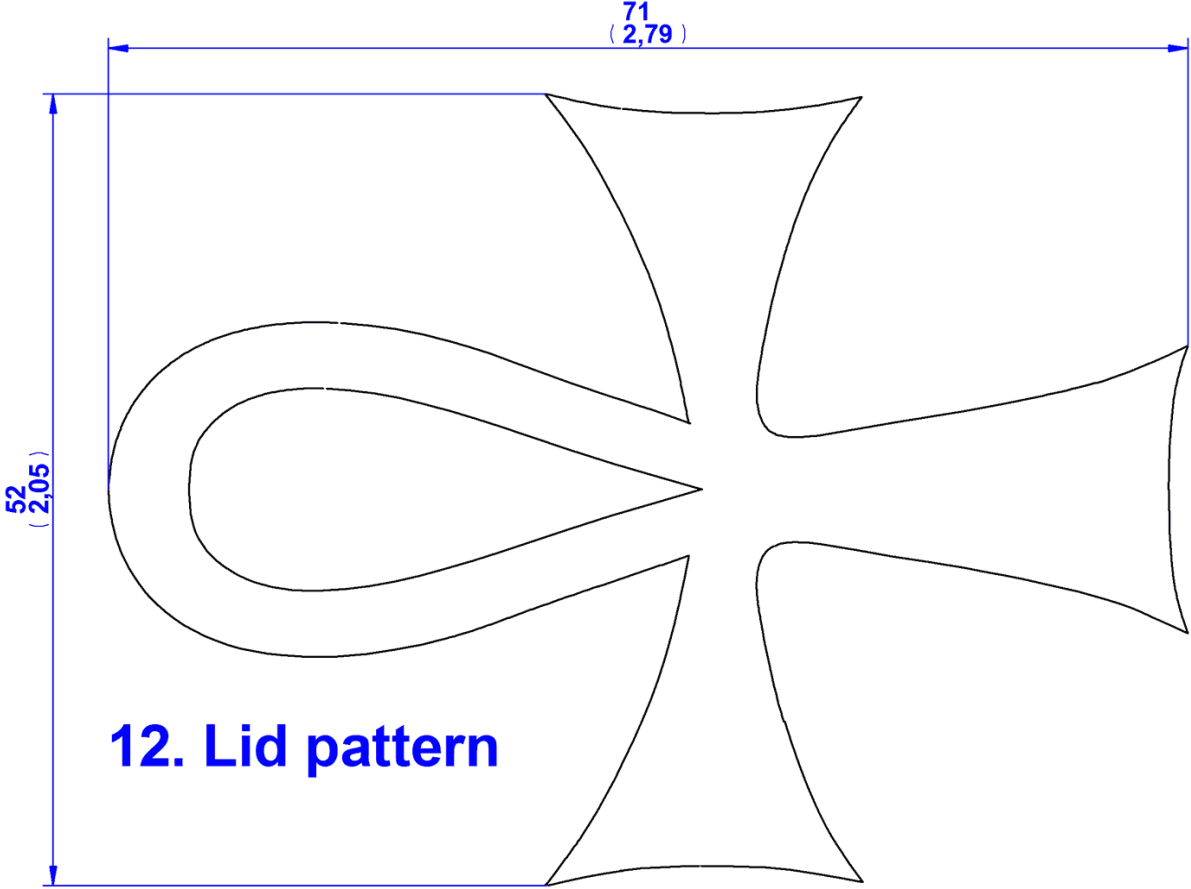




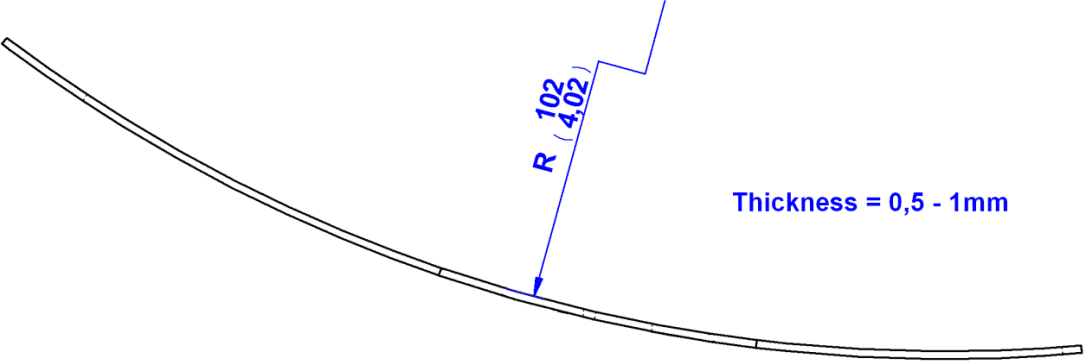


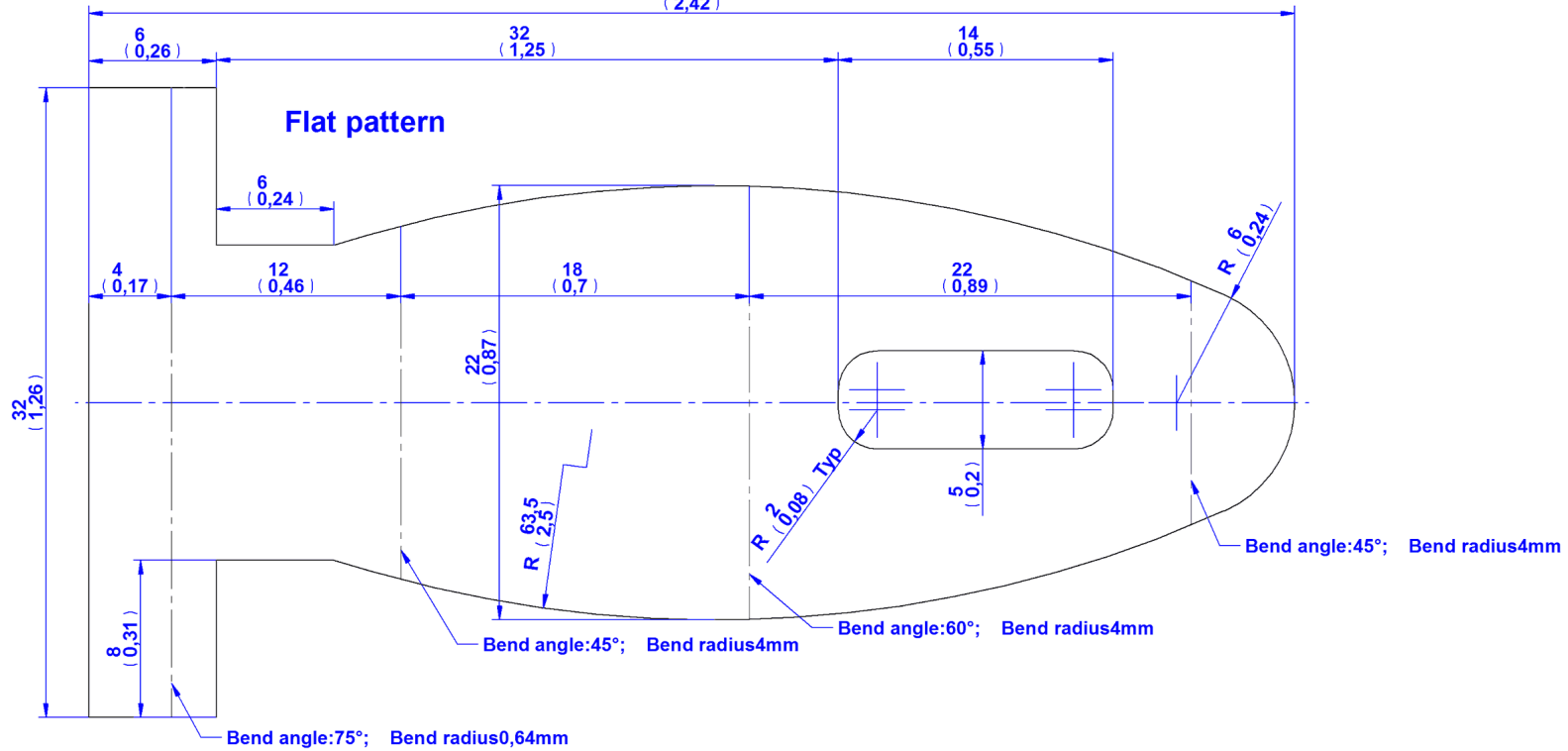
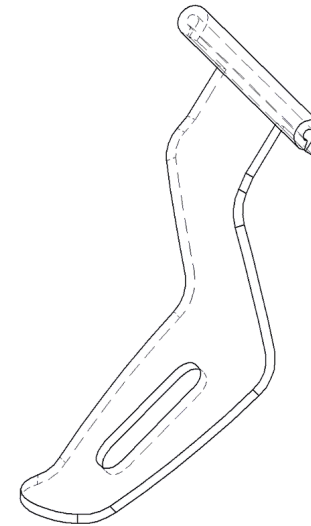
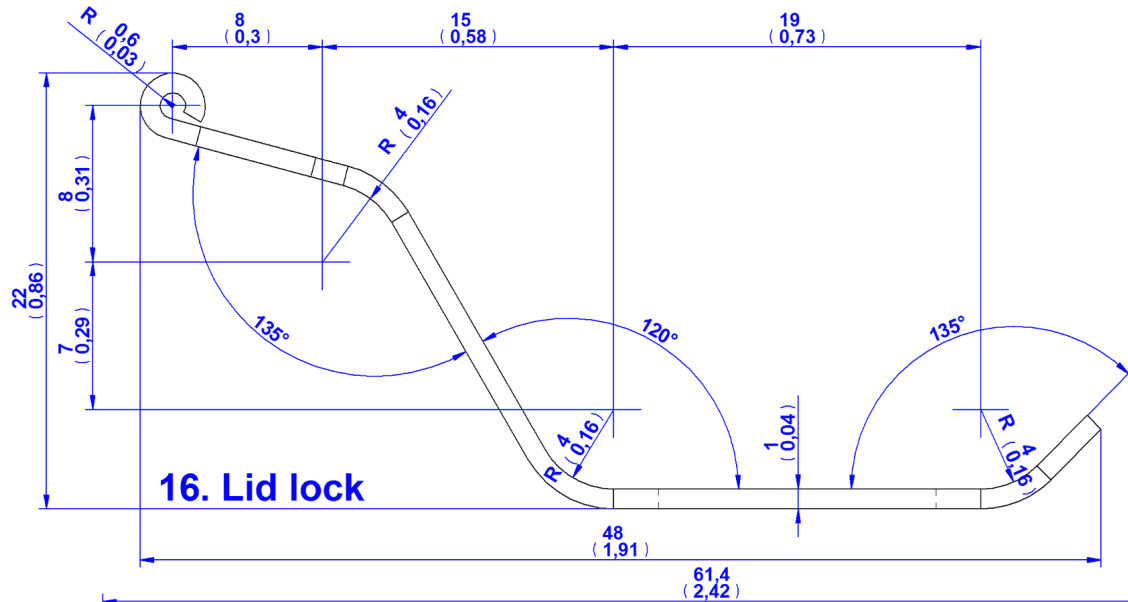
8. Decorative tape 1

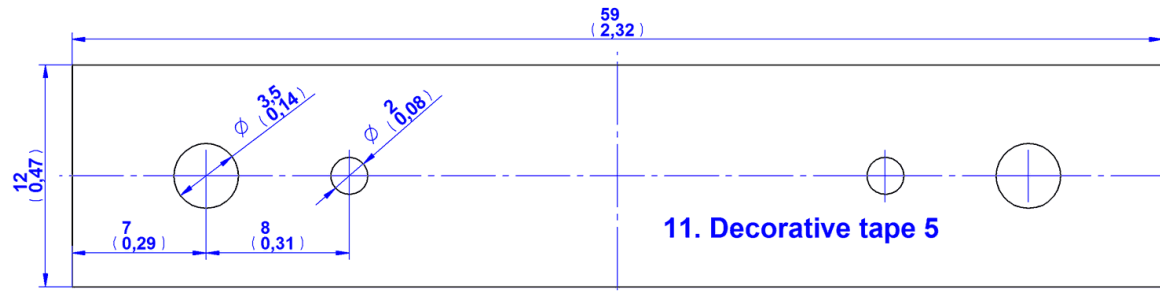
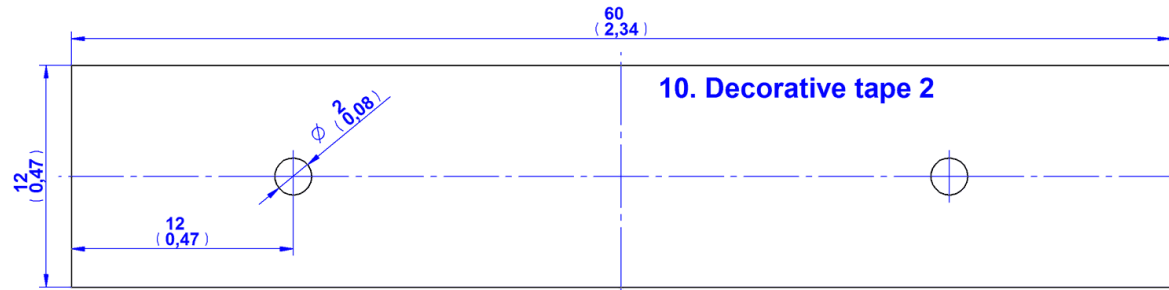
Thickness = 0,5 - 1mm



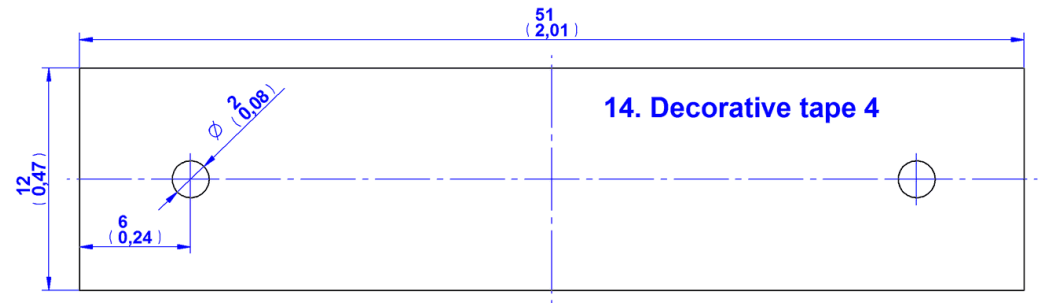
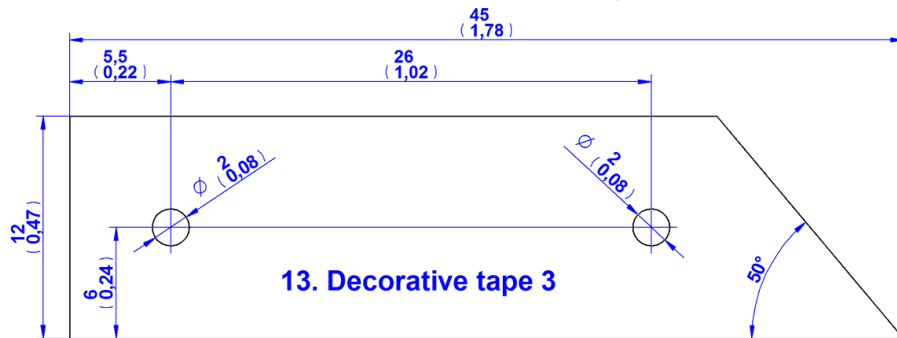
12. Lid pattern

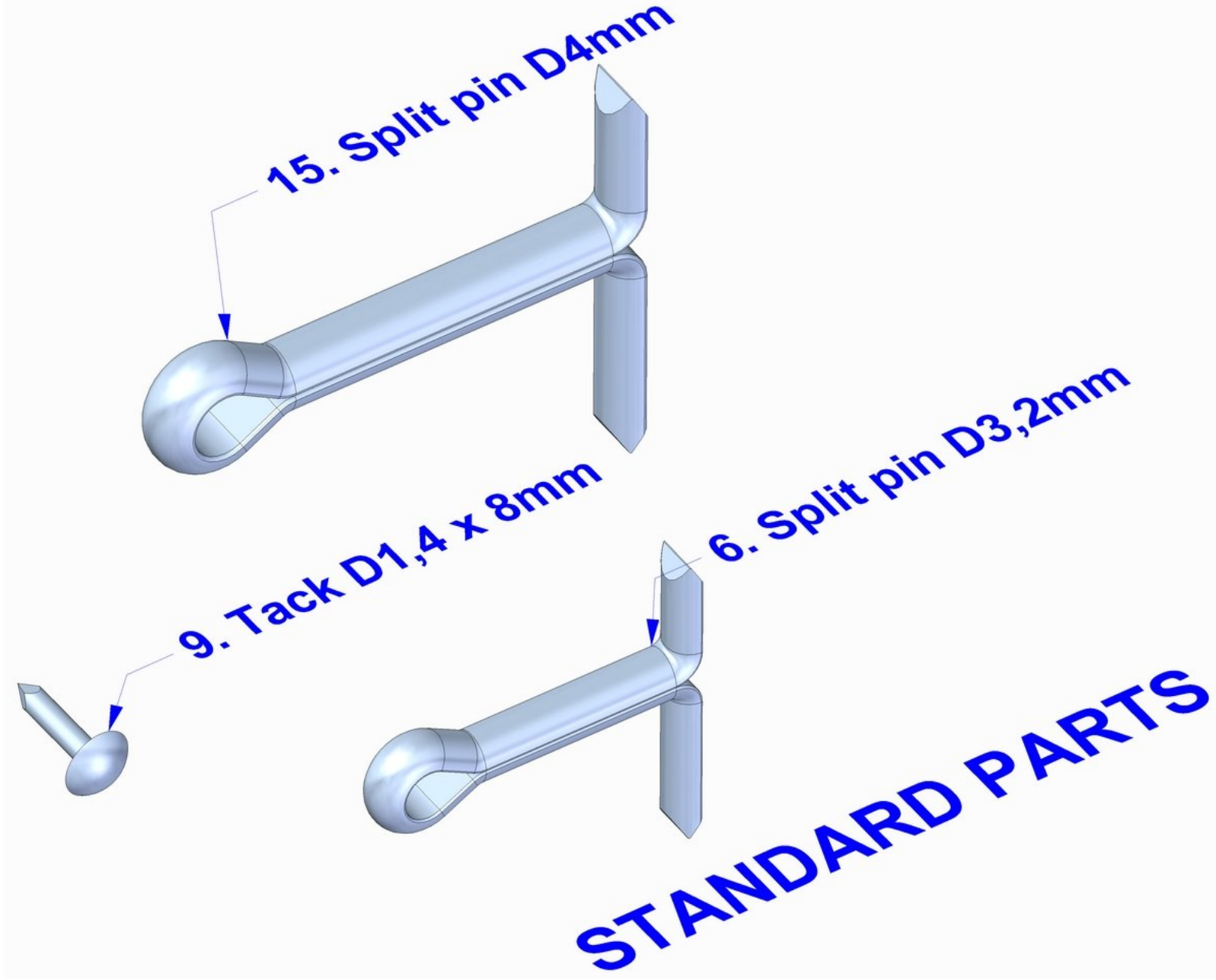




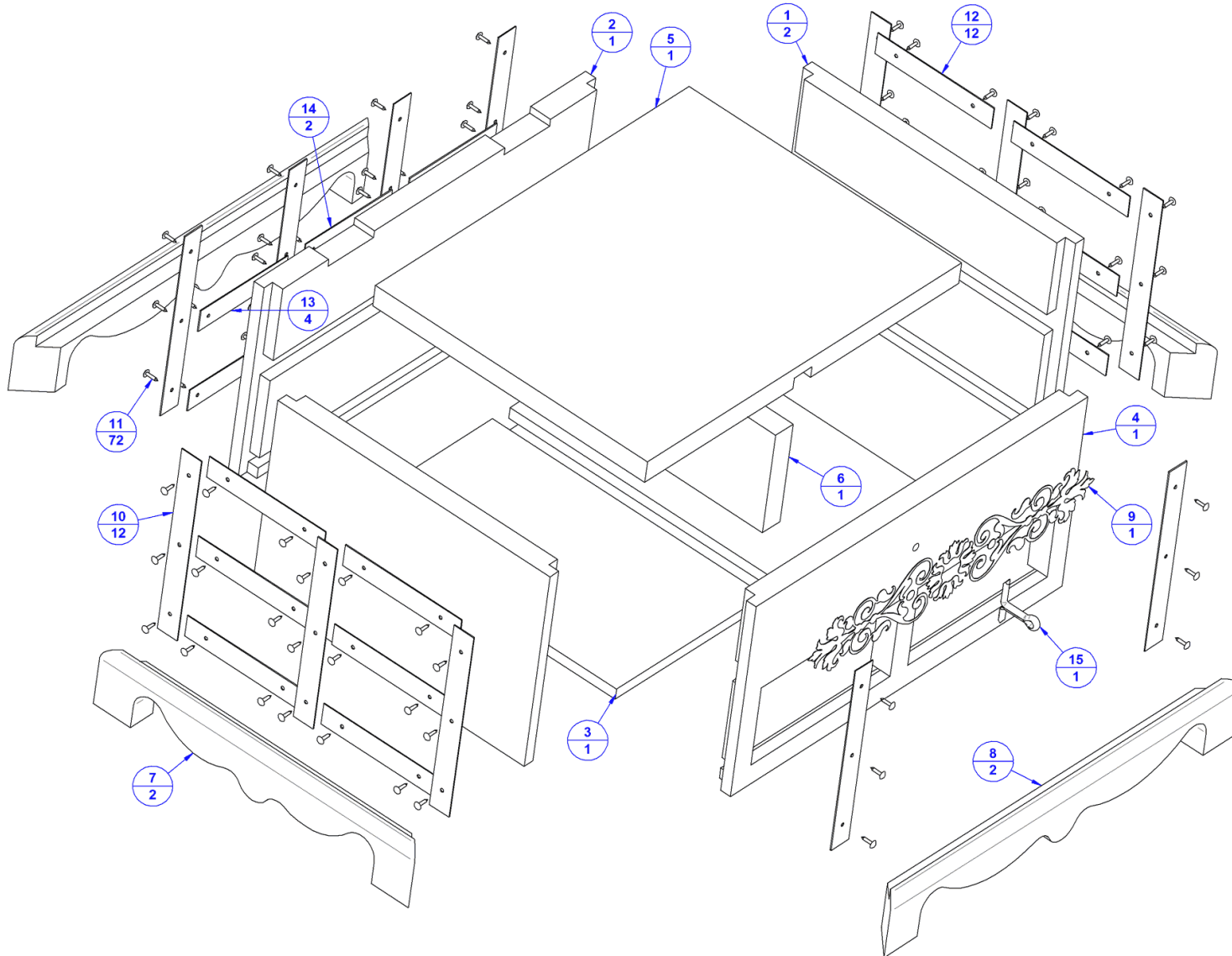


Thickness = 0,5 - 1mm



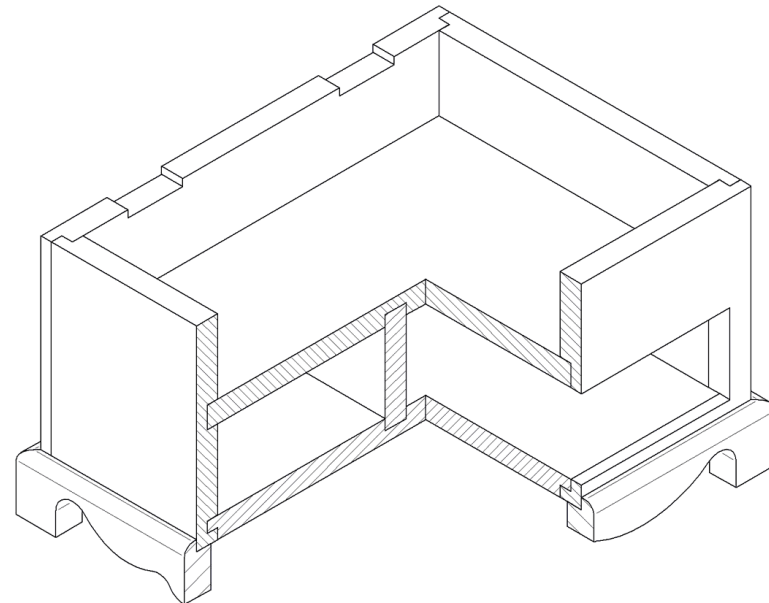
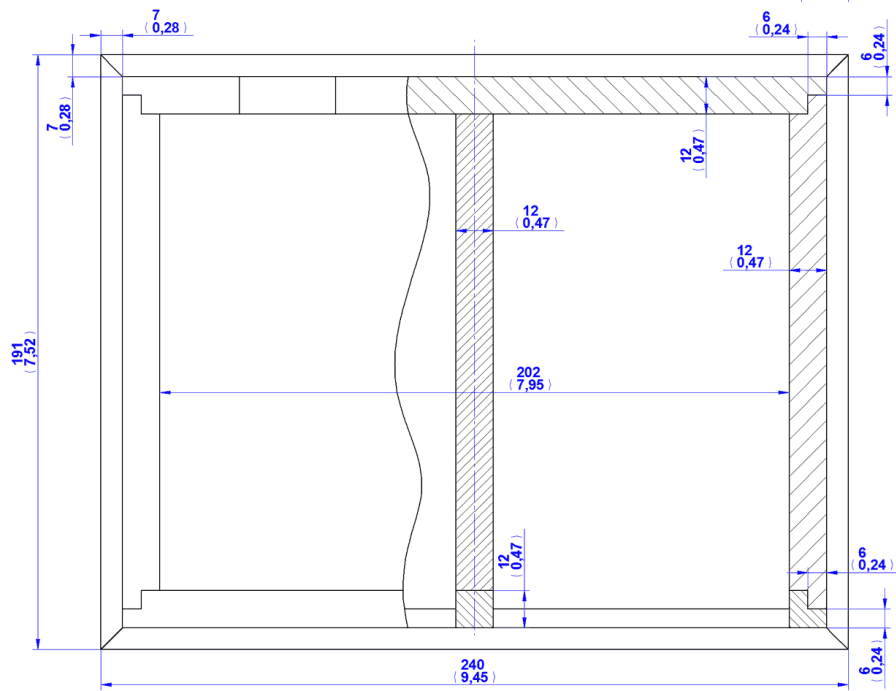
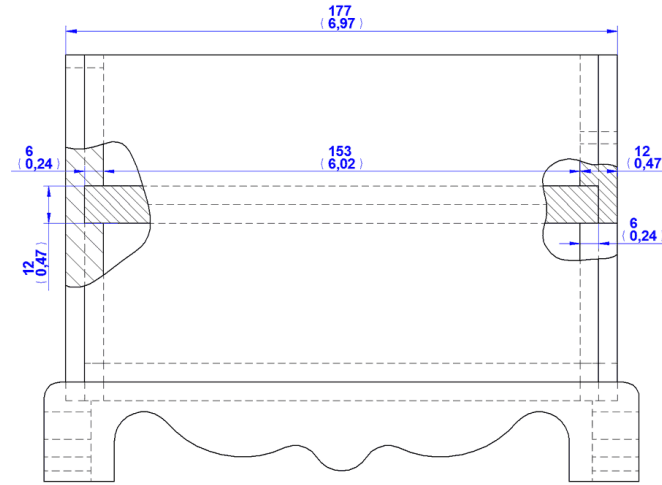
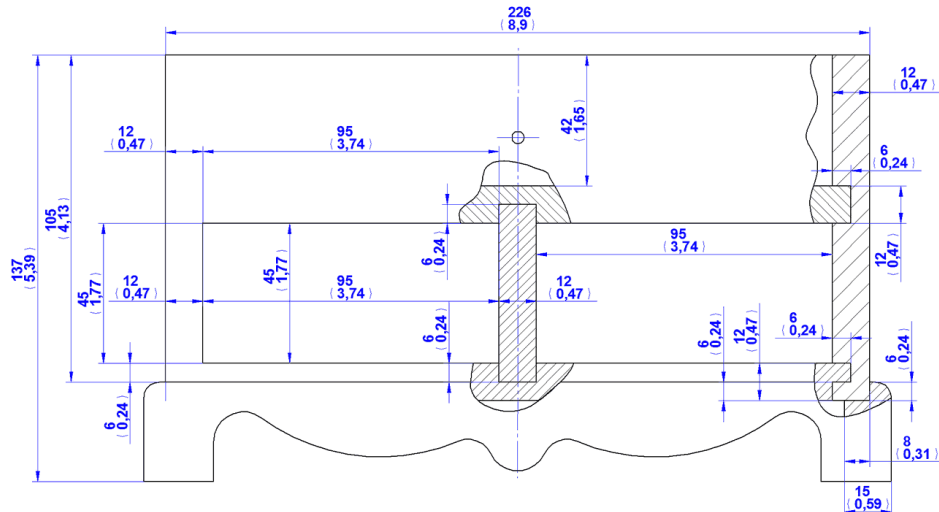


5. Box body subassembly – Parts list

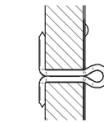
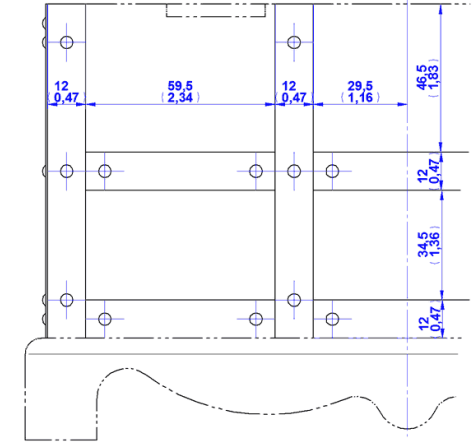
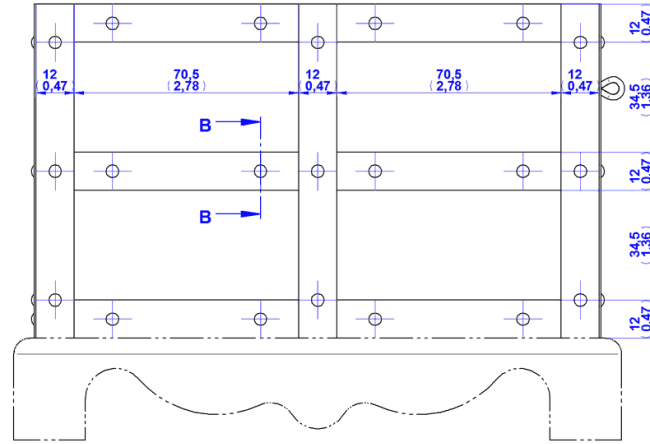
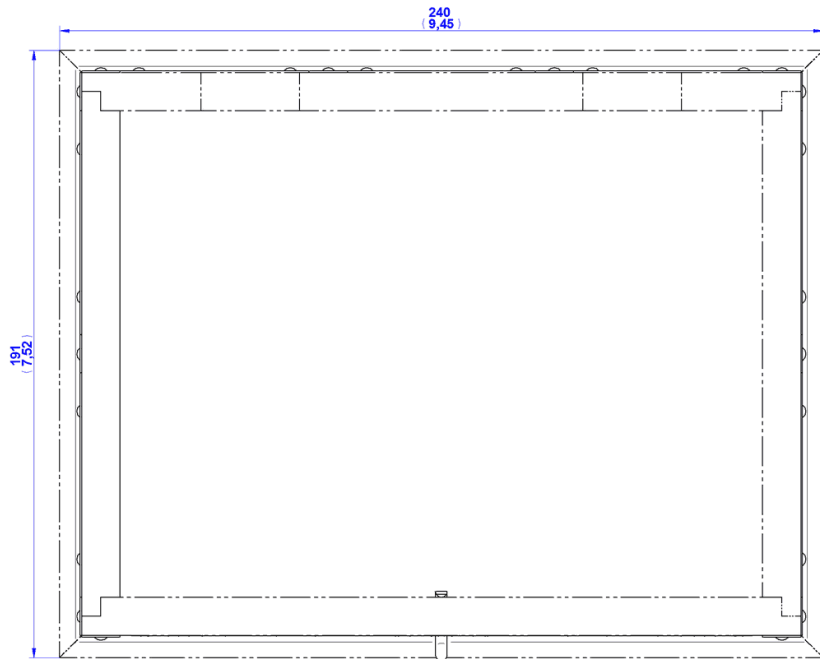
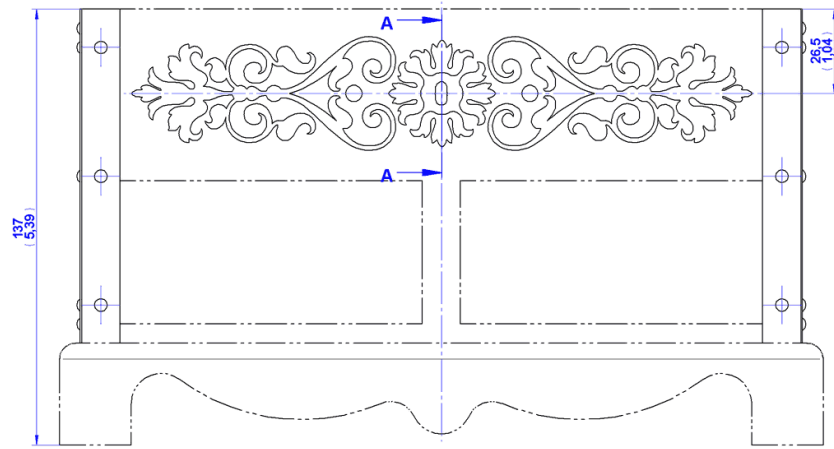


Item Number	Title	Material	Quantity
1	Box side	Wood	2
2	Box back	Wood	1
3	Box bottom	Wood	1
4	Box front	Wood	1
5	Box middle board	Wood	1
6	Box vertical board	Wood	1
7	Box bottom side	Wood	2
8	Box bottom front and back	Wood	2
9	Box pattern	Steel	1
10	Decorative tape 6	Steel	12
11	Tack D1,4 x 8mm	Steel	72
12	Decorative tape 7	Steel	12
13	Decorative tape 8	Steel	4
14	Decorative tape 9	Steel	2
15	Split pin D4mm	Steel	1

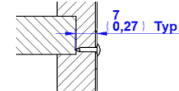
Box body subassembly drawing



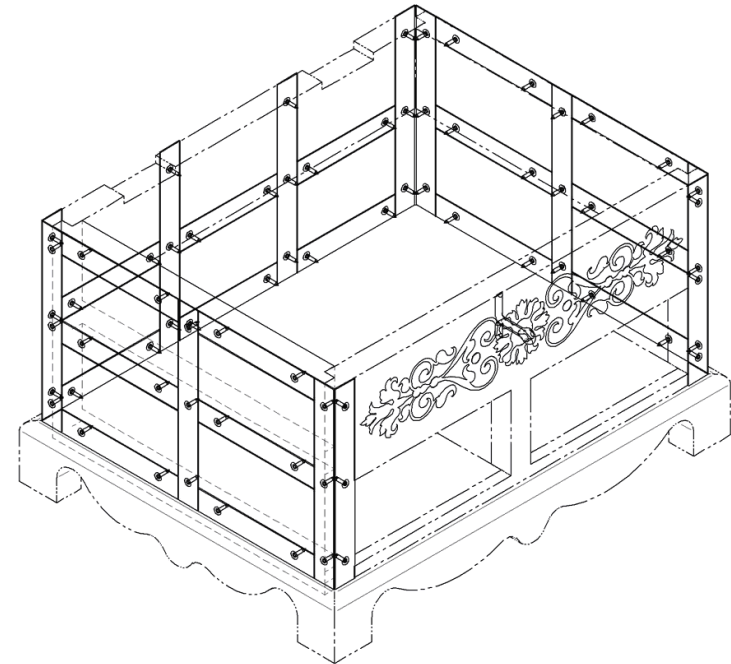
Box body – Decoration tape (thin sheet of metal)

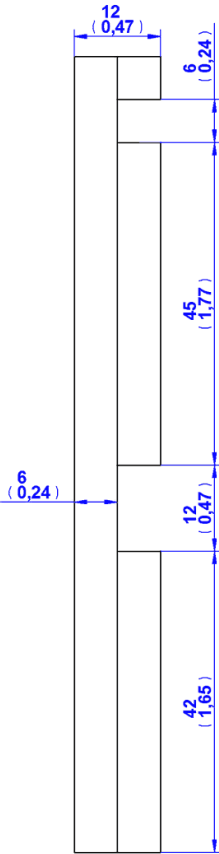
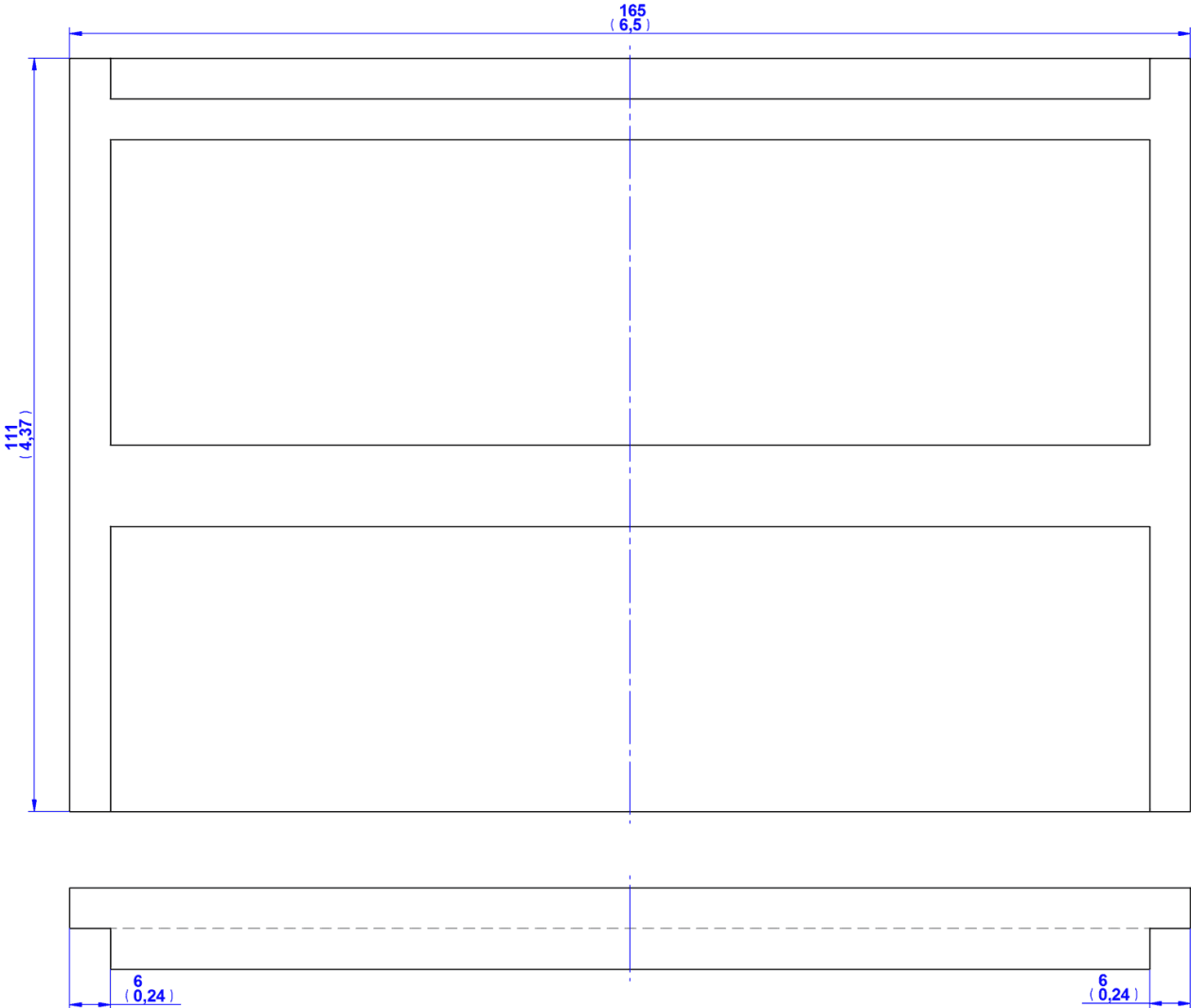


SECTION A-A

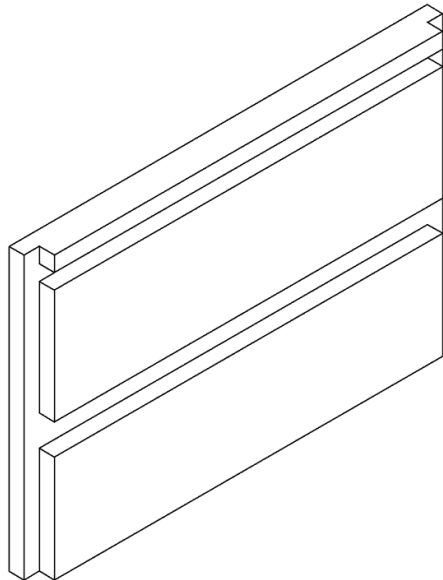


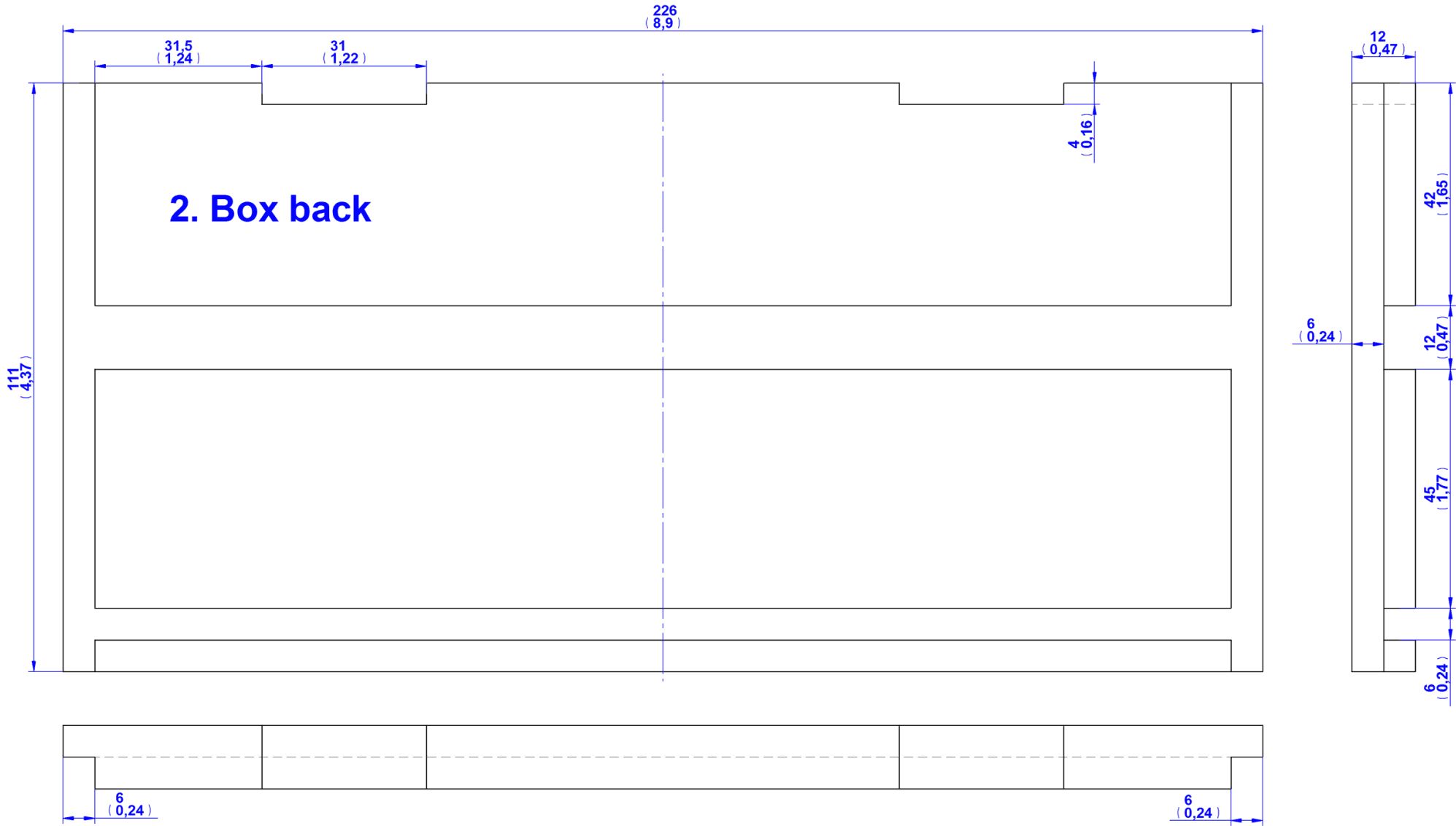
SECTION B-B

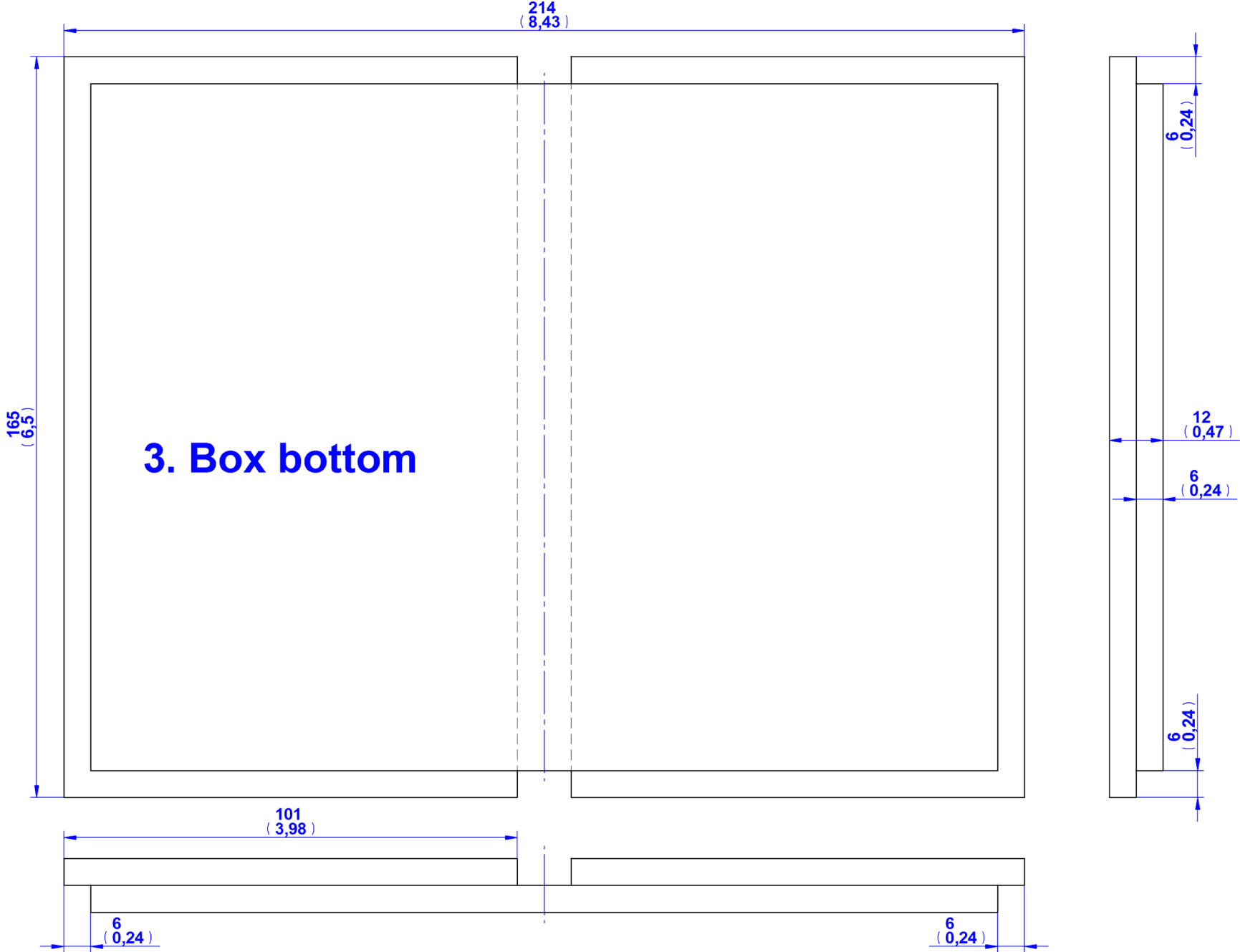


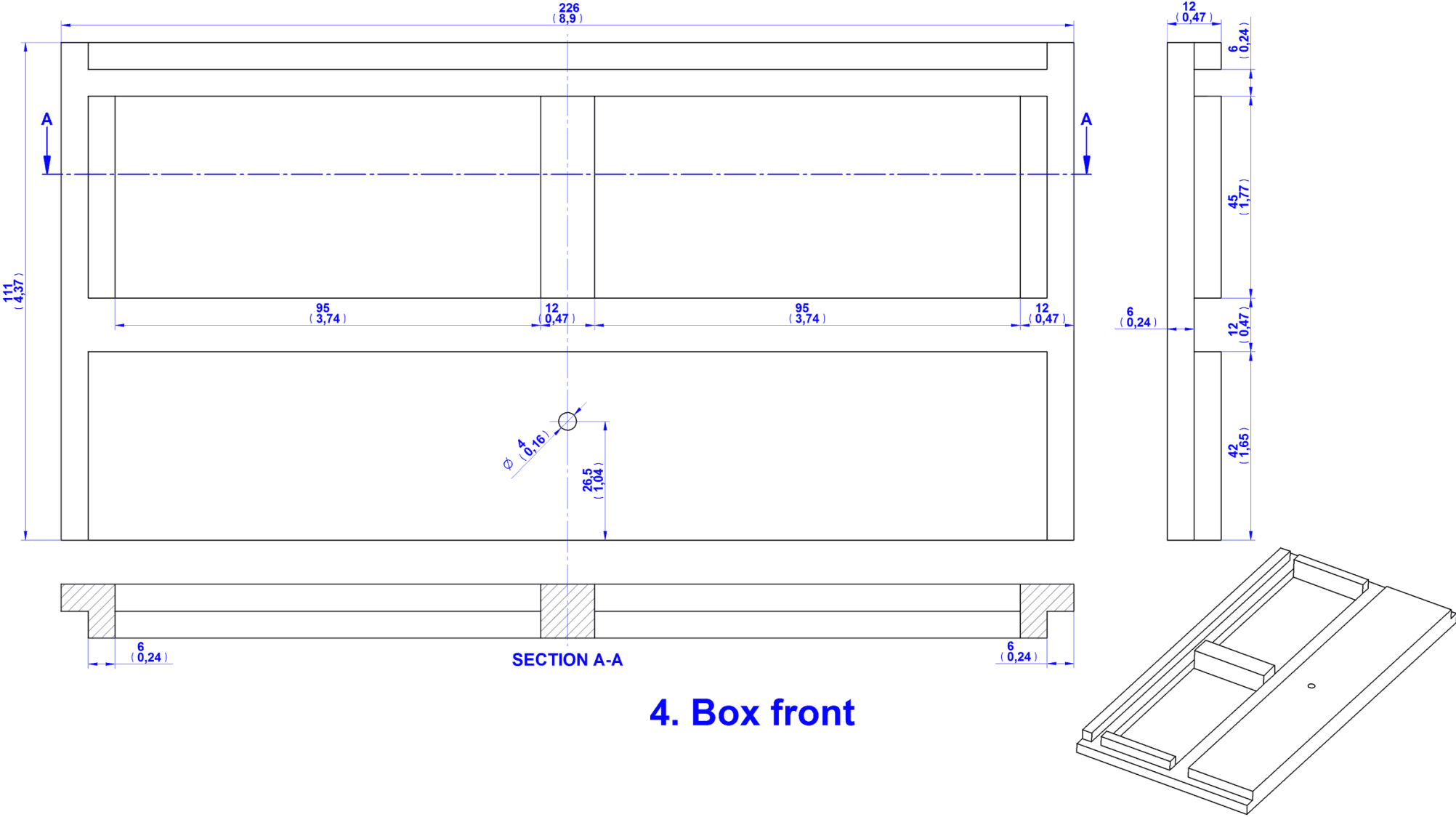


1. Box side

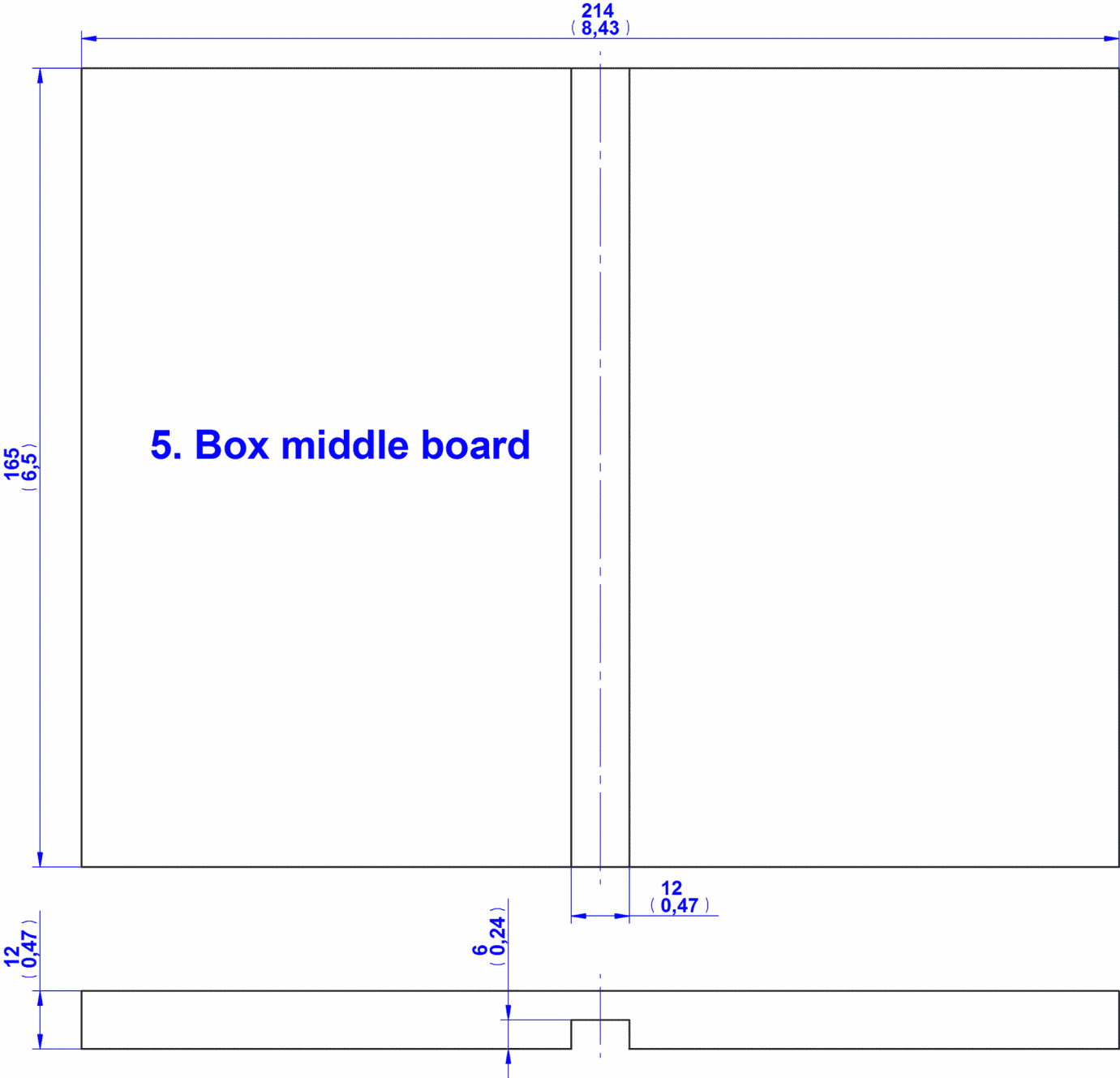


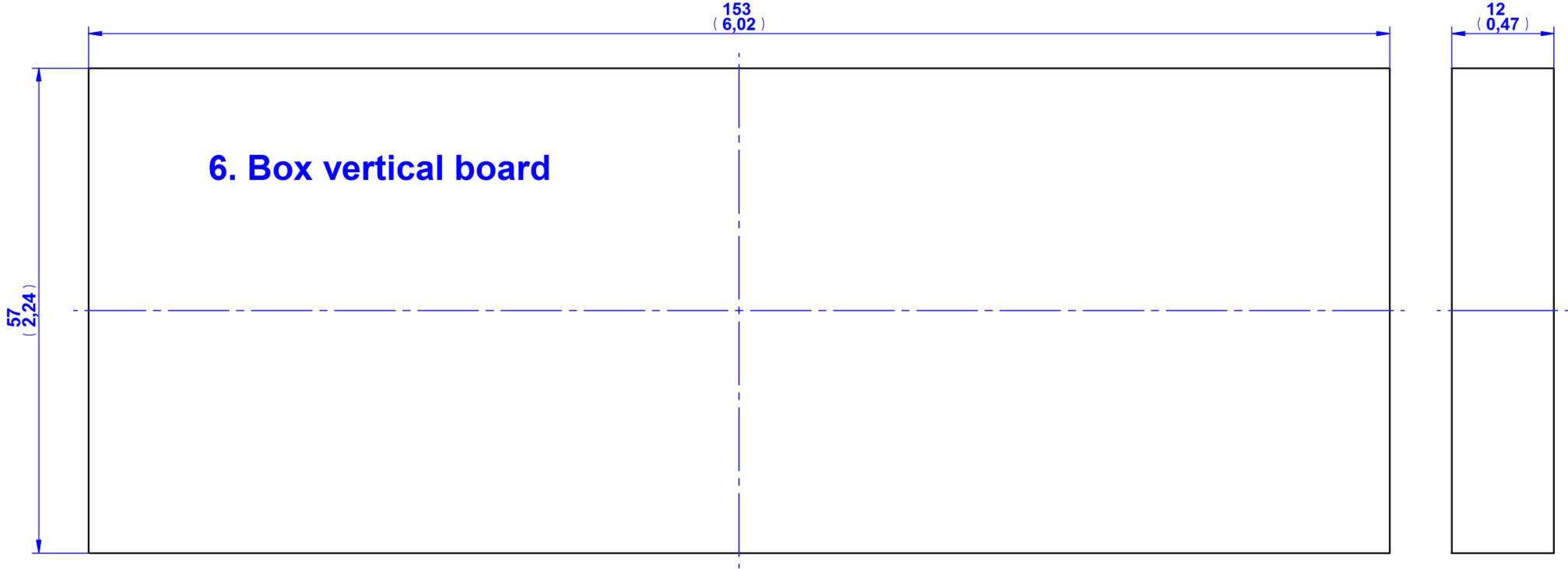




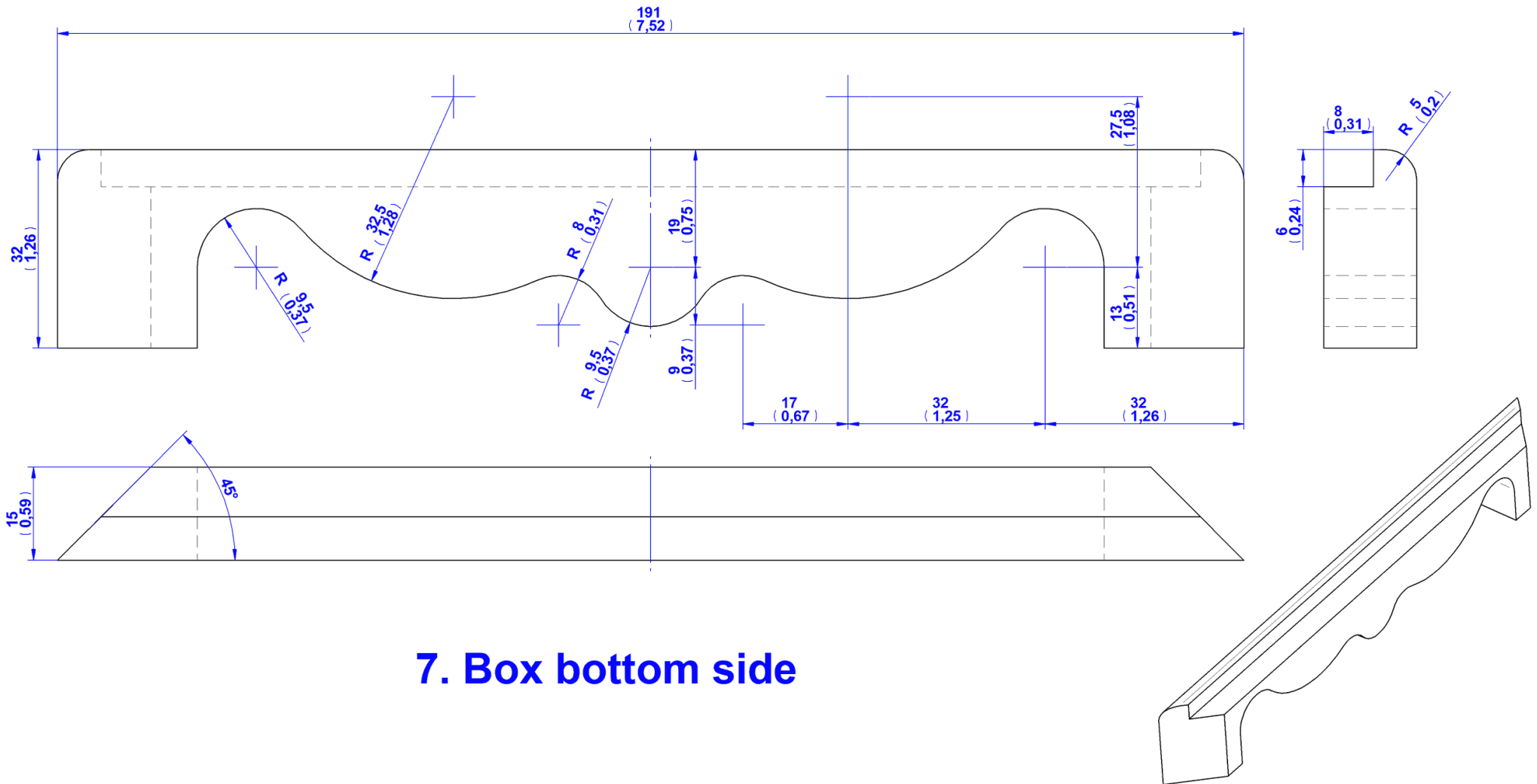


4. Box front

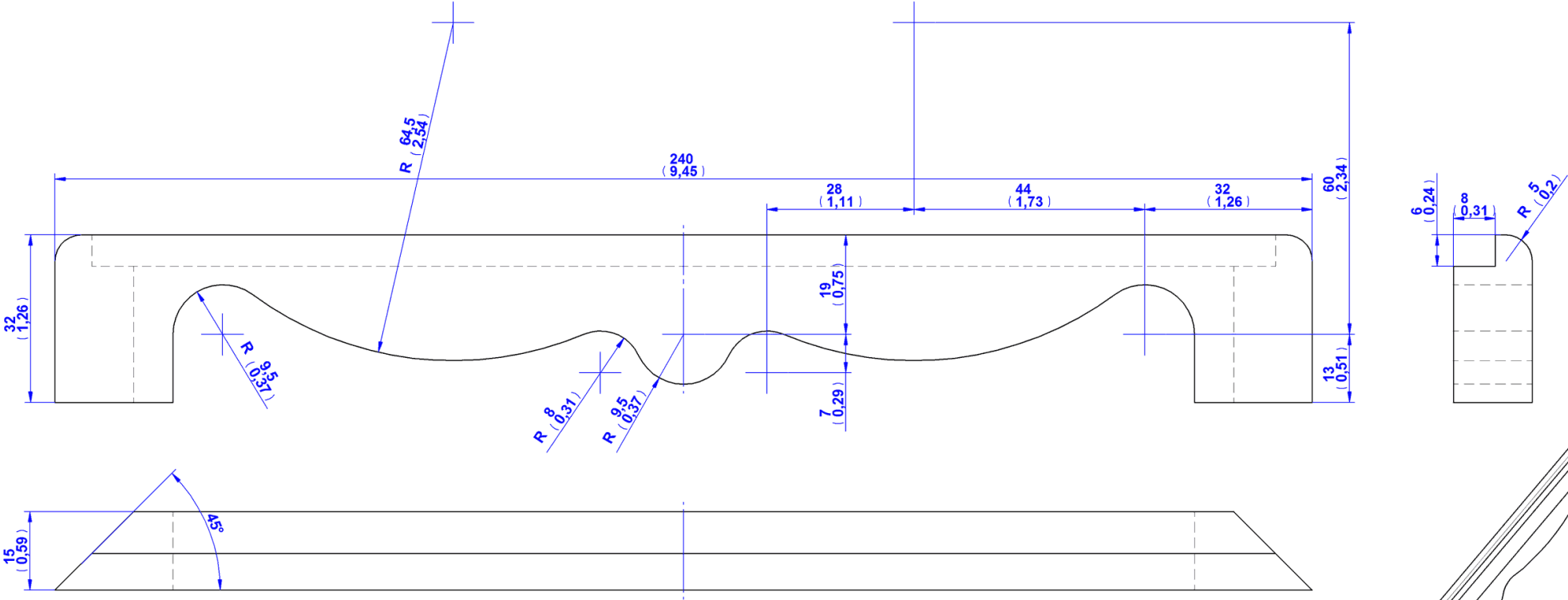




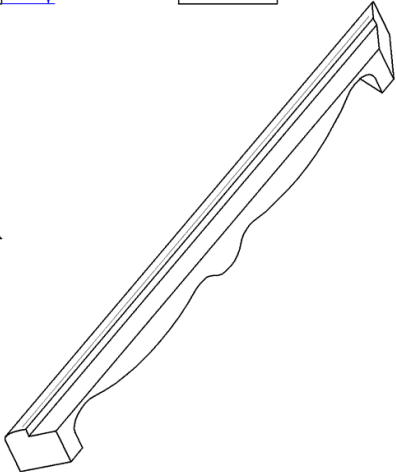
6. Box vertical board



7. Box bottom side

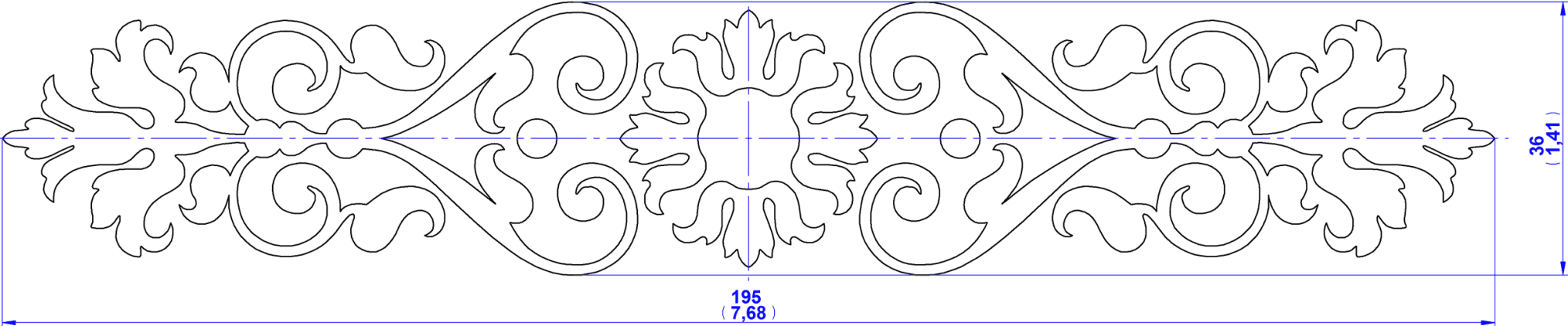


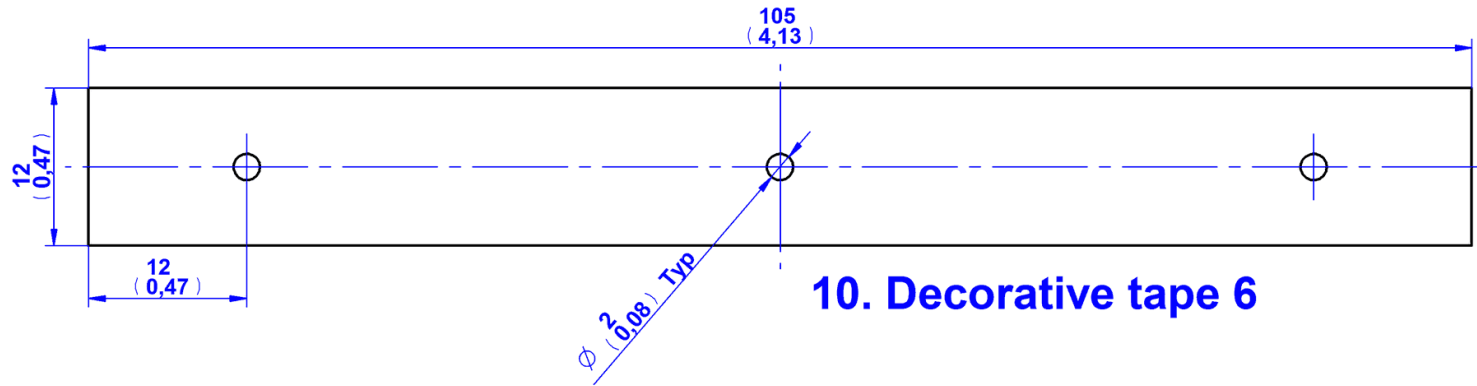
8. Box bottom front and back



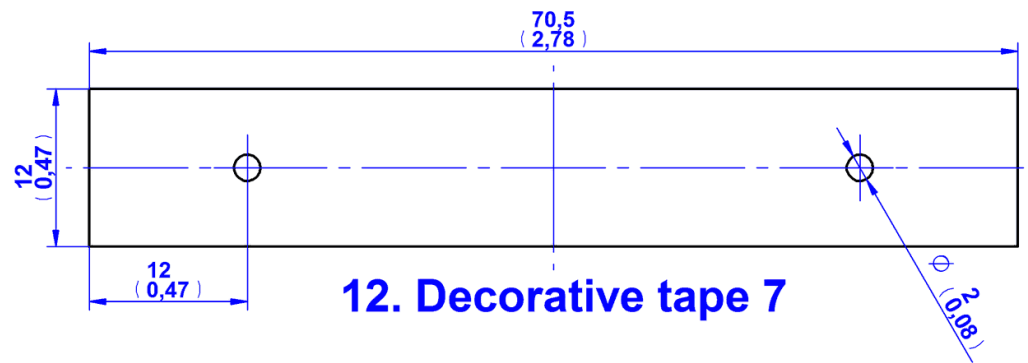
9. Box pattern

Thickness = 0,5 - 1mm



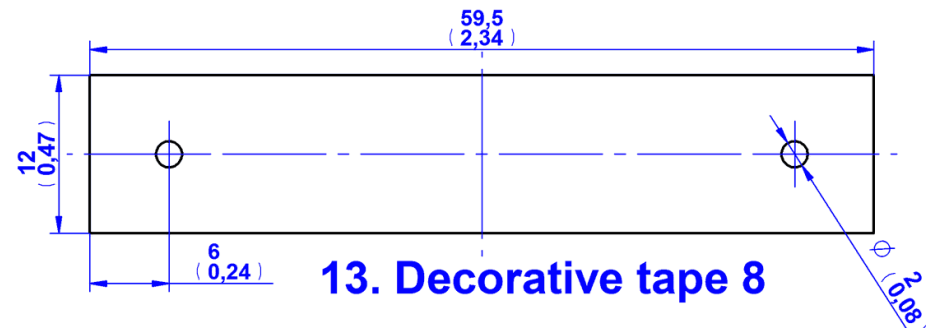


10. Decorative tape 6

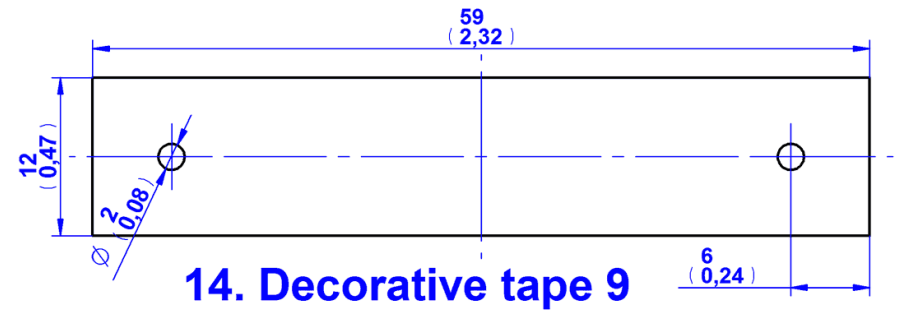


12. Decorative tape 7

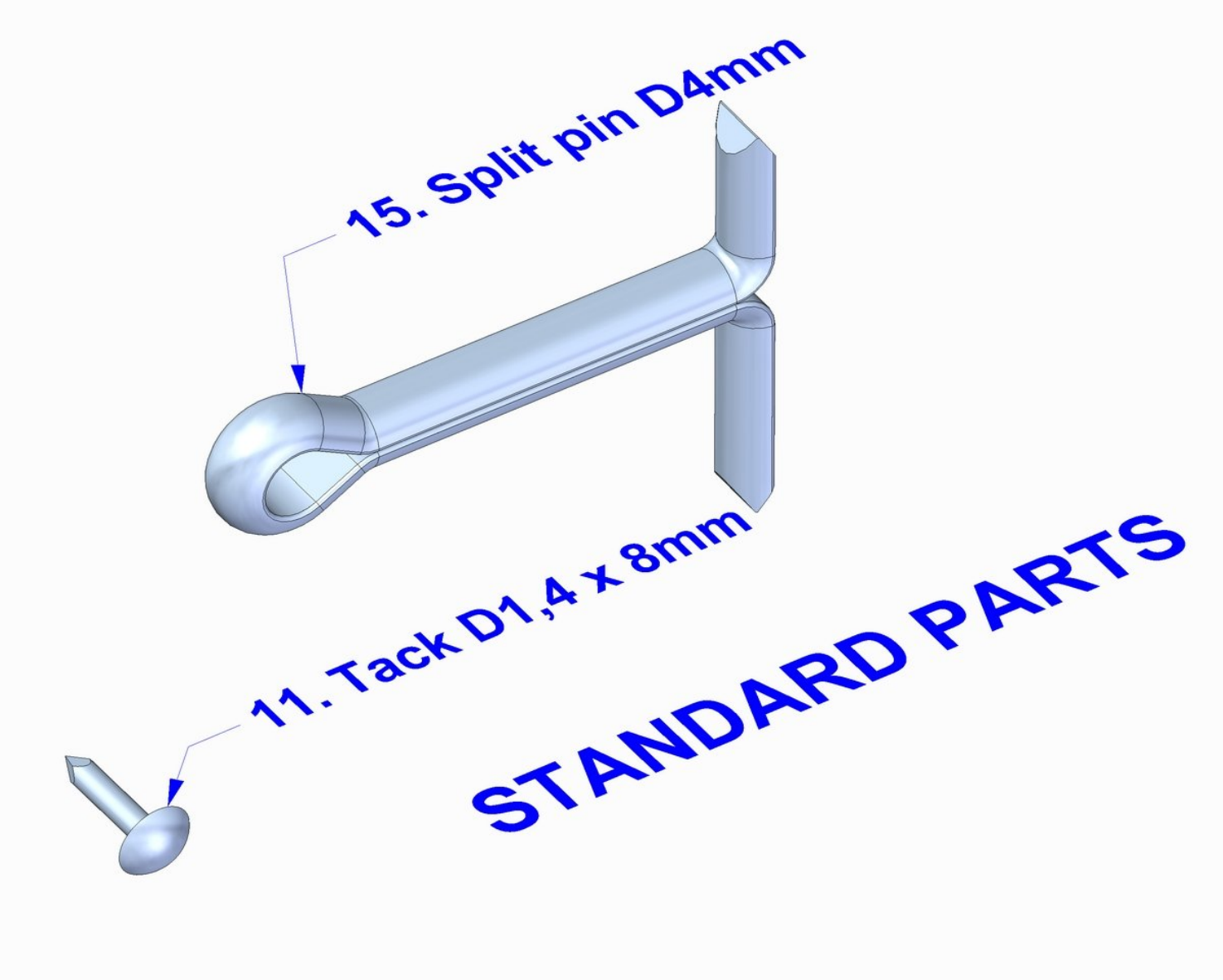
Thickness = 0,5 - 1mm



13. Decorative tape 8



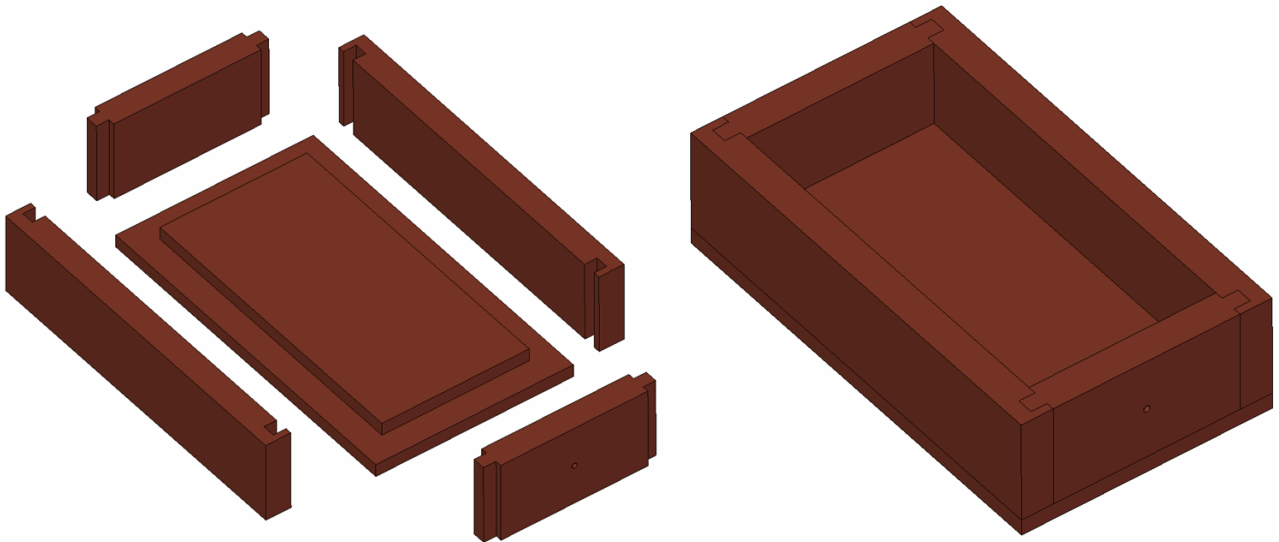
14. Decorative tape 9



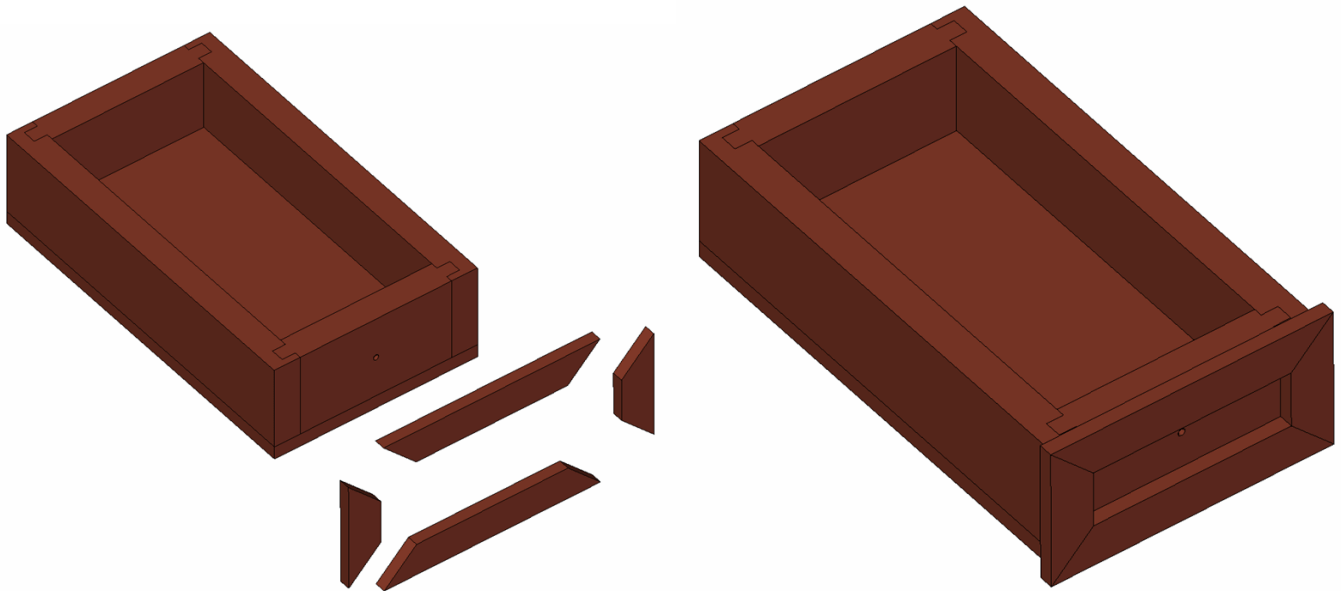
Assemblage images

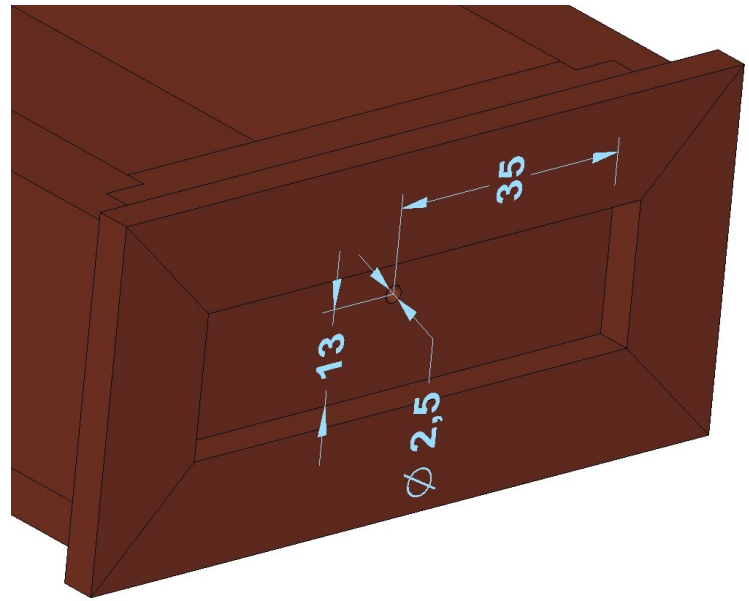
Drawer assemblage

1.

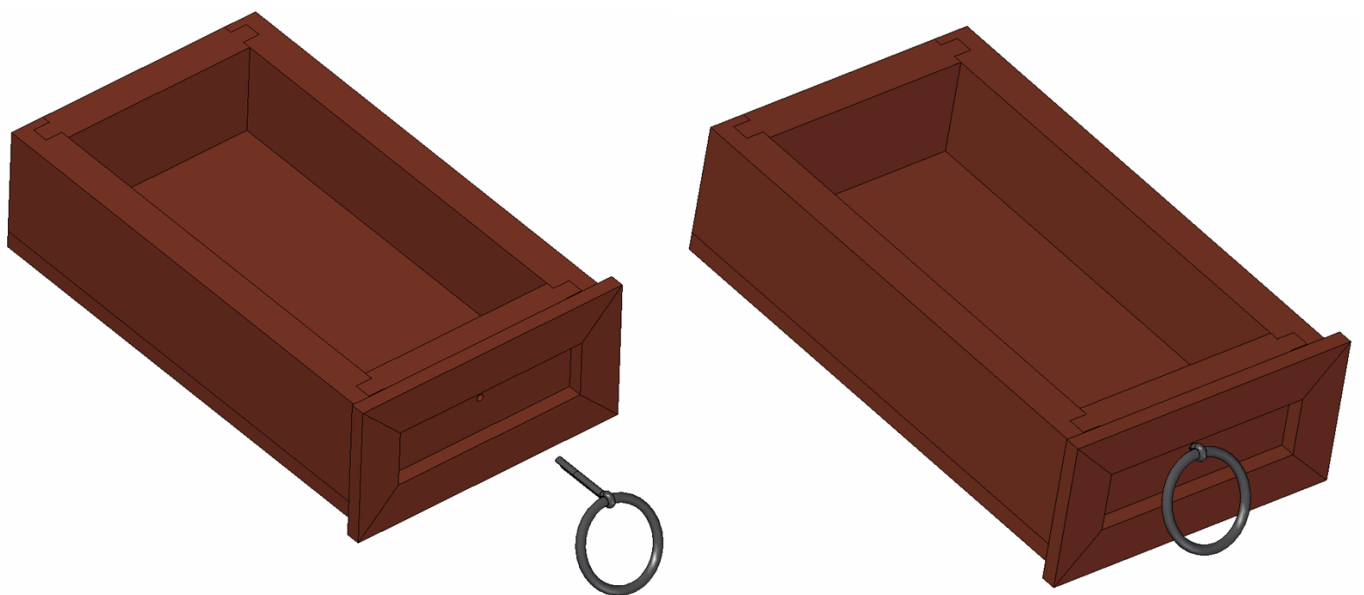


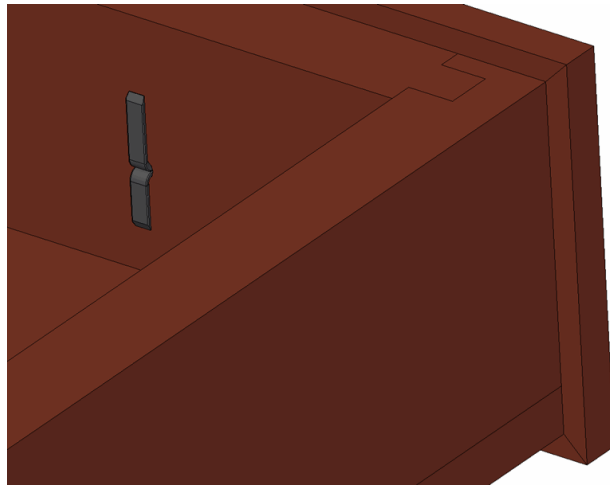
2.





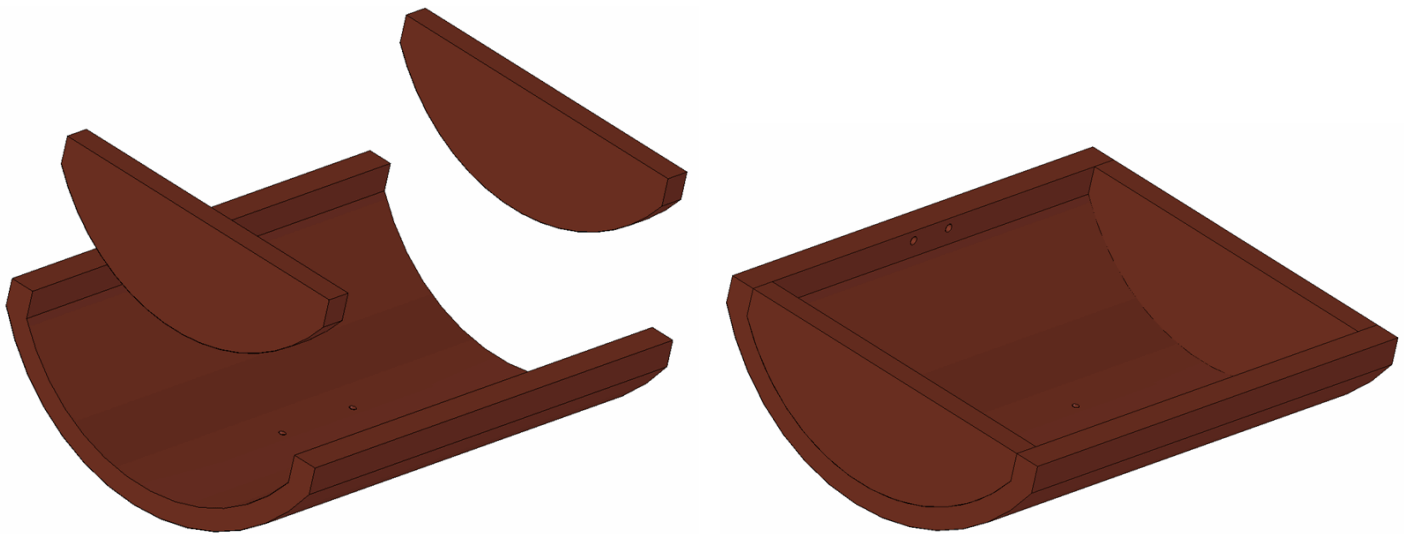
3.



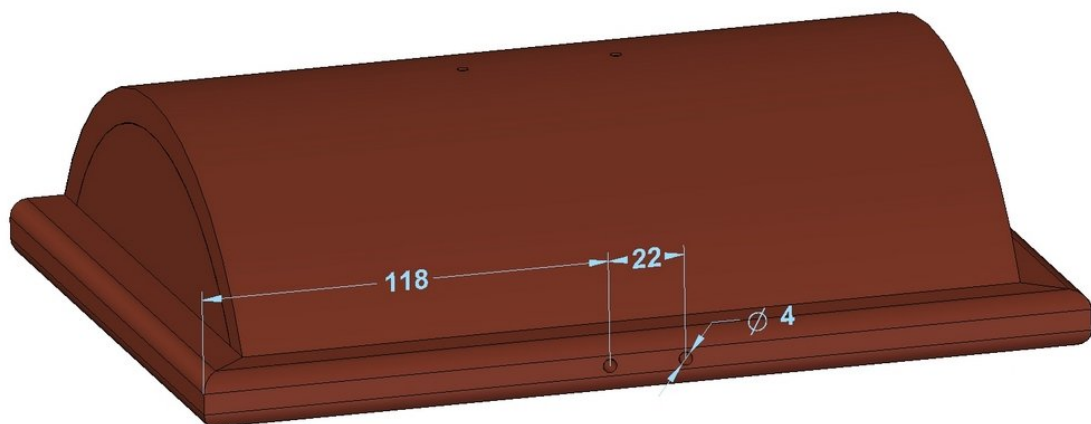
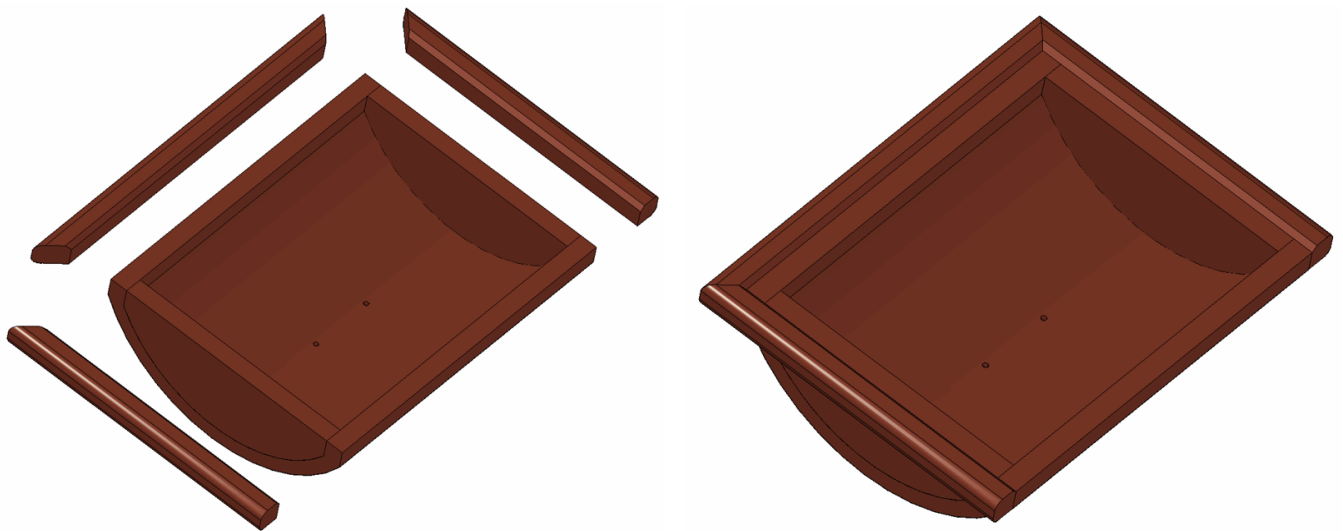


Lid assemblage

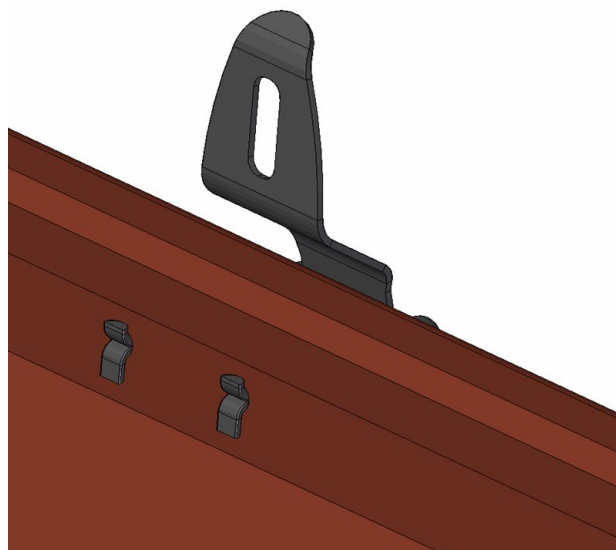
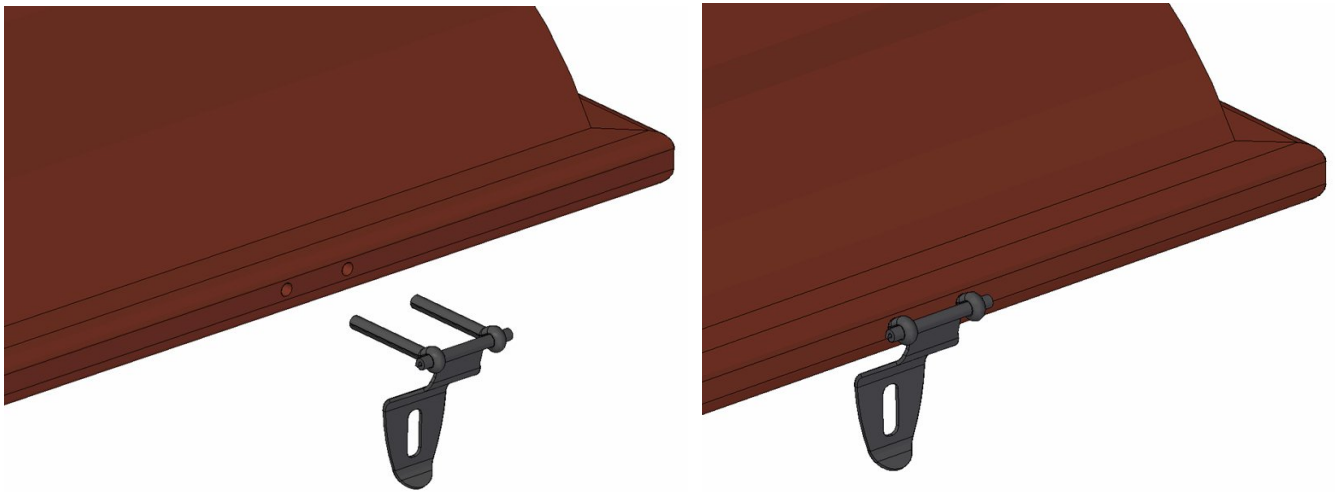
1.



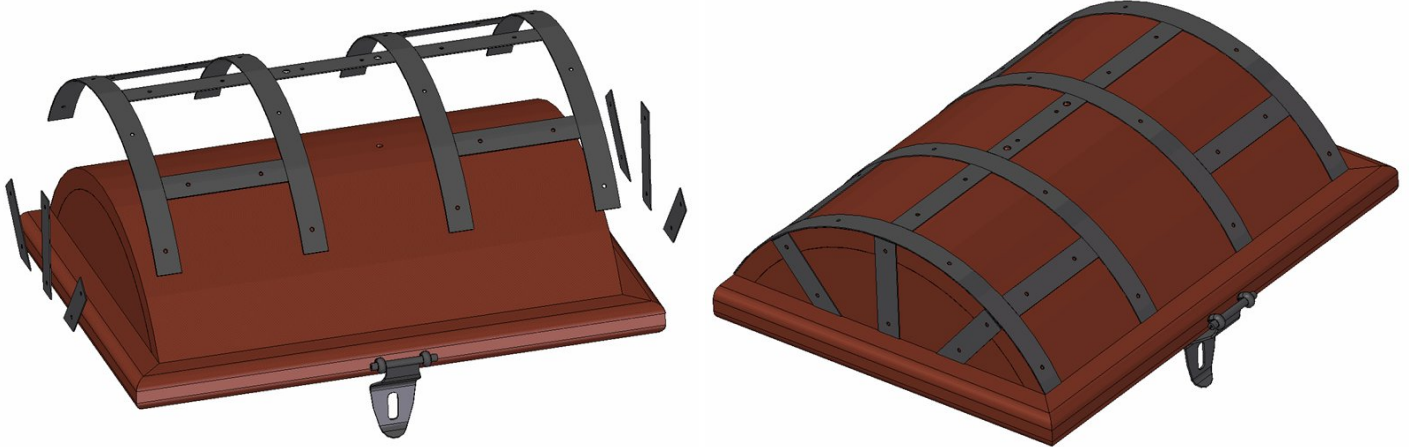
2.



3.



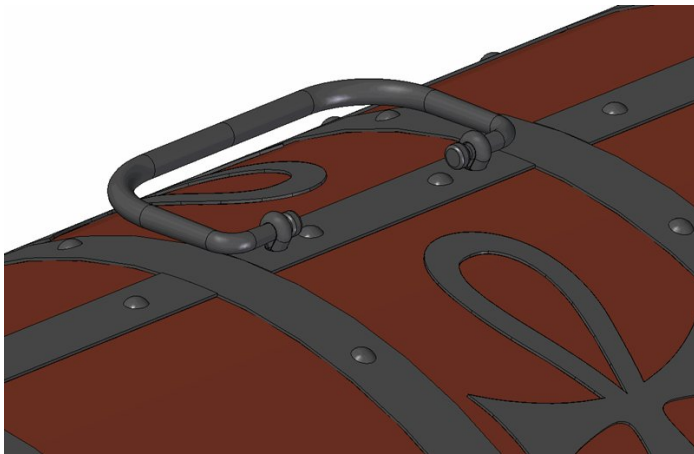
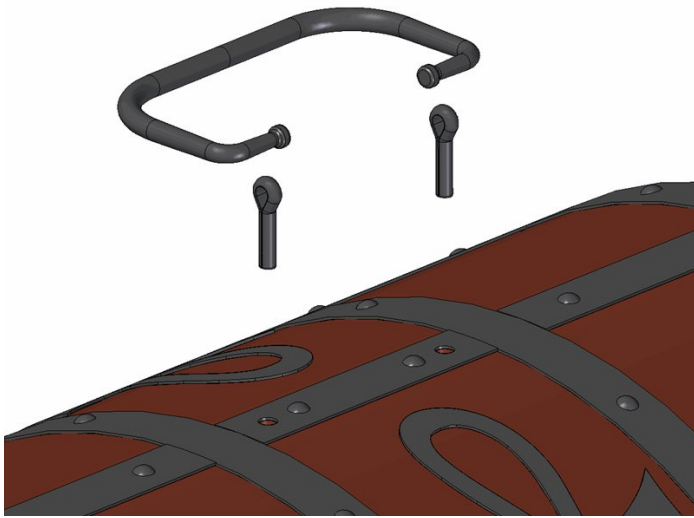
4.



5.

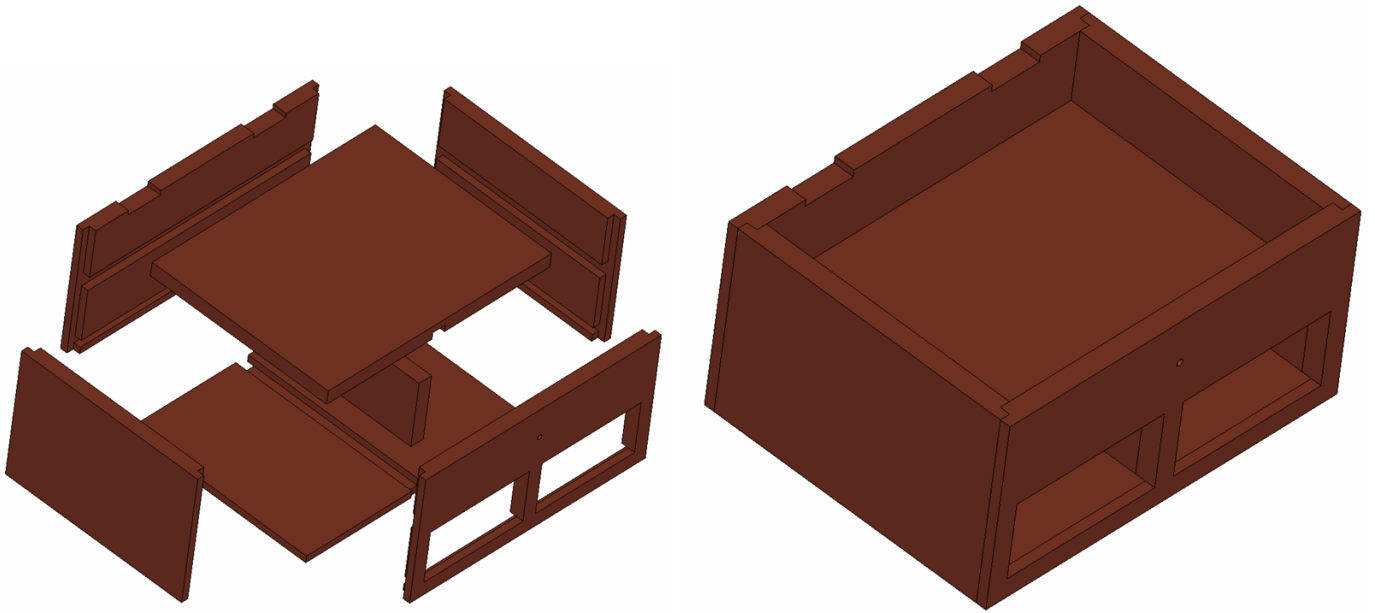


6.

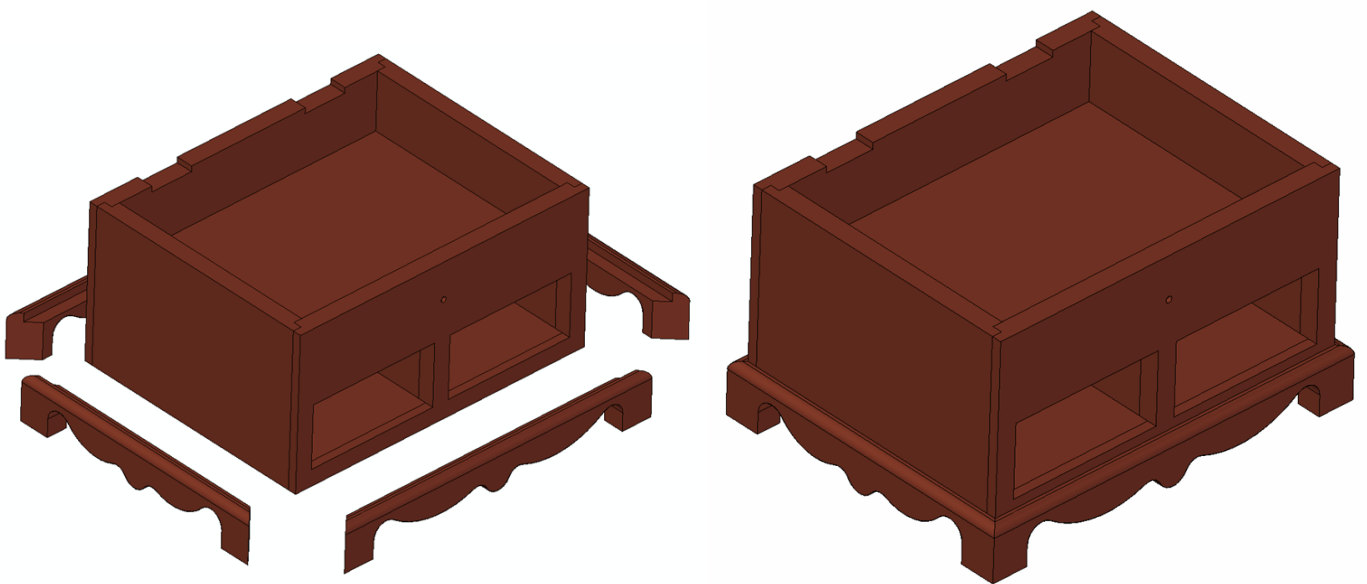


Box body assemblage

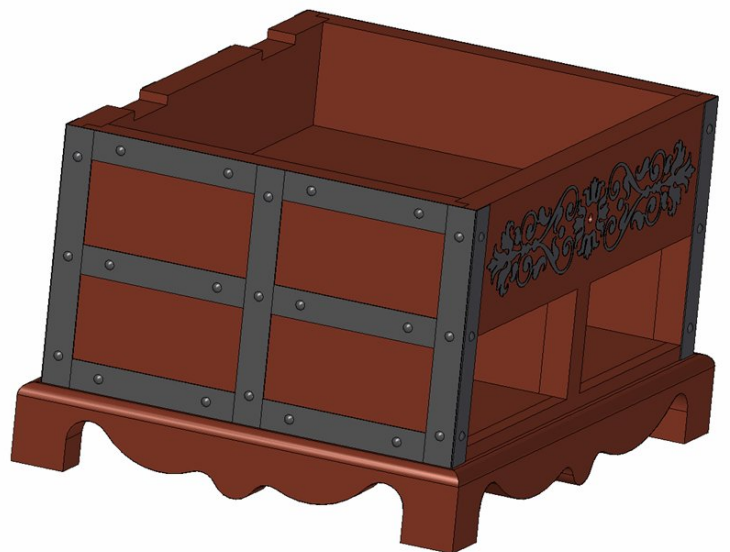
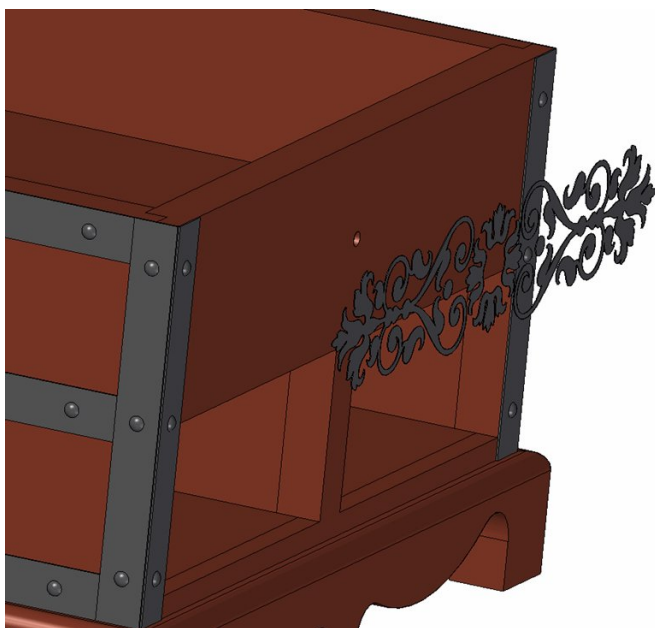
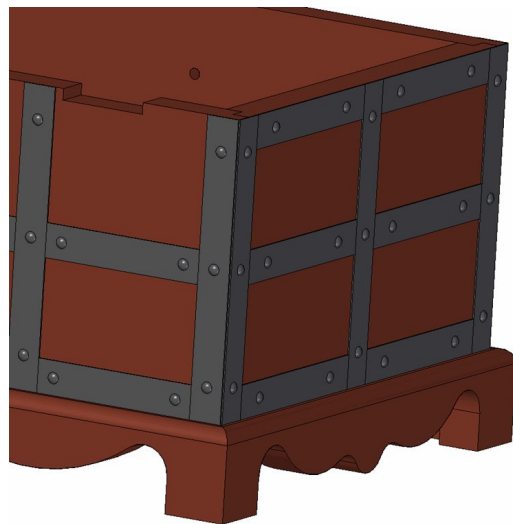
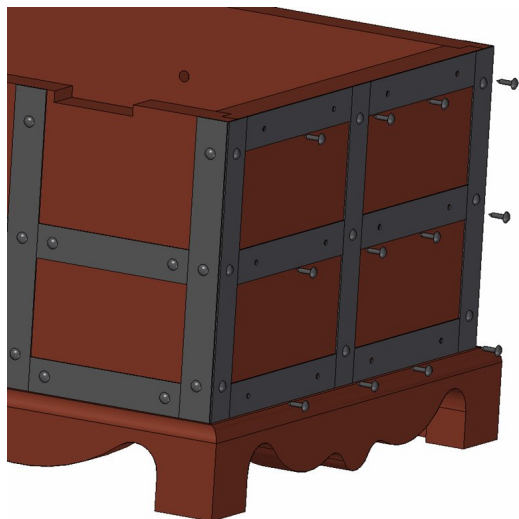
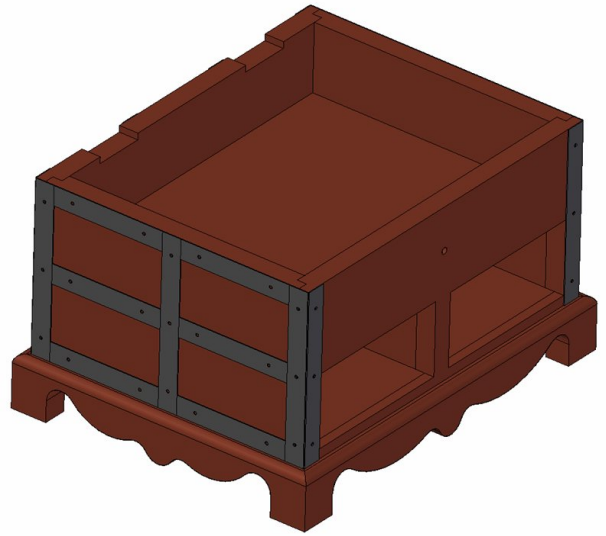
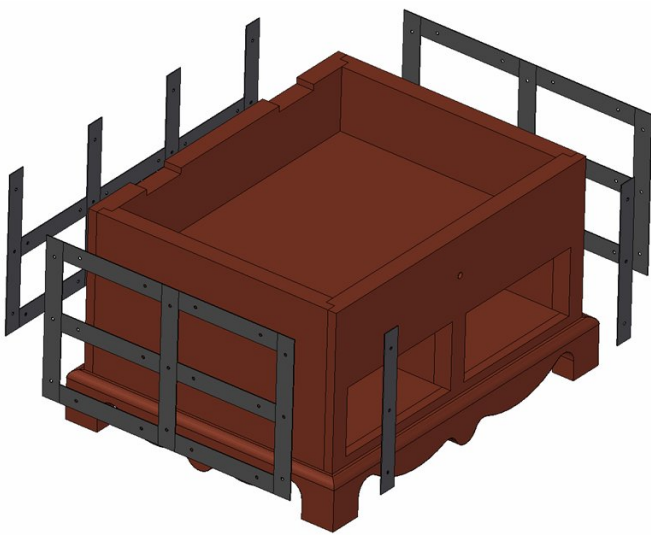
1.



2.



3.



4.



Antique jewelry box assemblage

