

## Automobile Toy



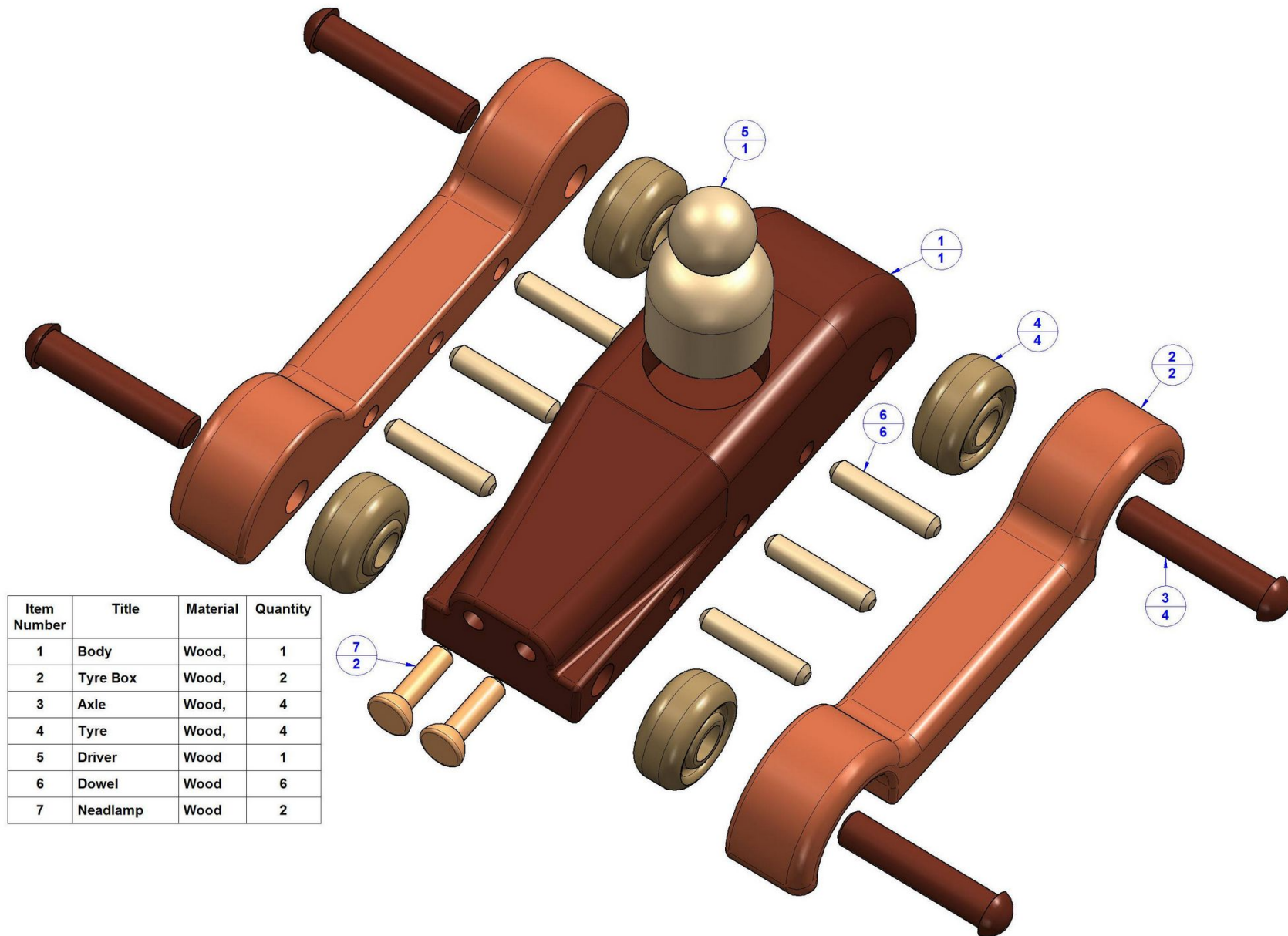
This is the plan for manufacturing a simple automobile toy for your child.

If you need to make a simple toy car in a relatively short time, this is the right plan for you. The toy is simple in design, reminding of old cars from the early 20th century, and the parts can be easily made using woodworking hand tools. The most tedious job that awaits you is sanding the parts to get their shape right. If you do not have a lathe, the 'tyre' and 'driver' parts should be made from some cylinder shape stock with a diameter similar as in our plan.

If you have decided to make this toy for your child(ren) that is/are old enough to be with you in the workshop, it is best to do it together with them, so they can be taught the basics of woodworking. This way, they will become interested in doing various things that will surely benefit them later in life. The making of such simple toy cars, planes or the like is an ideal exercise, not only for developing an interest in making various things, but the child(ren) will own a toy in the making of which they themselves participated, and therefore will love it more, which will stimulate their desire to create and work.

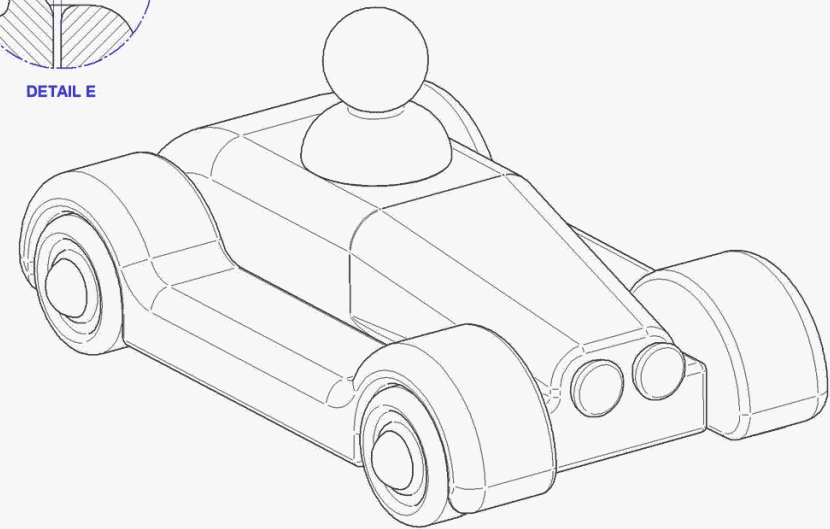
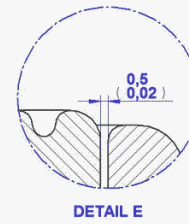
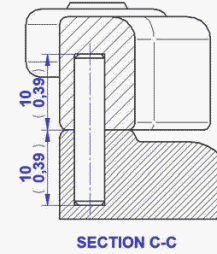
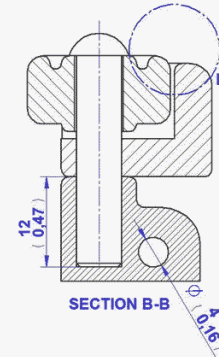
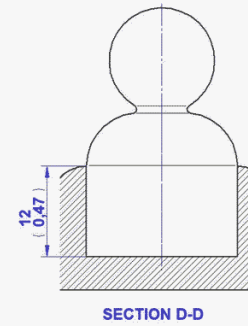
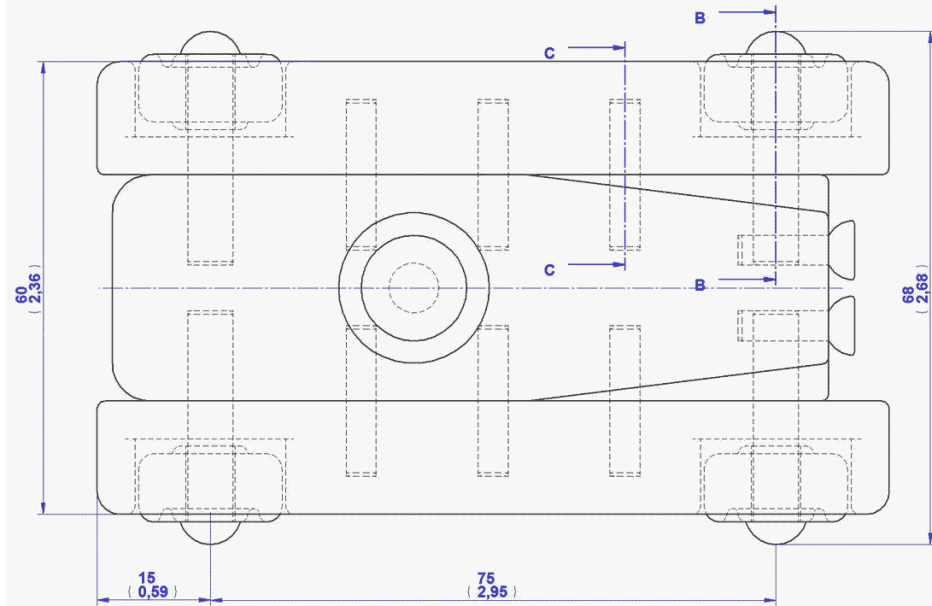
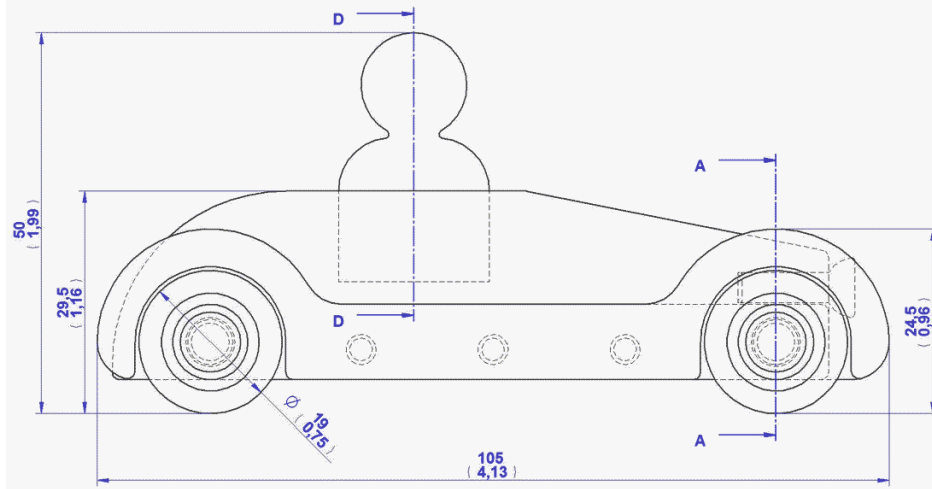
You can paint the parts in different colors, or use different types of wood to give contrast to the parts colors, and choose a finish that is not harmful to children. We recommend that you further decorate the part that represents the driver by coloring his face and gluing something to his head to simulate his hair. This way, the toy will be more realistic and interesting to play with.

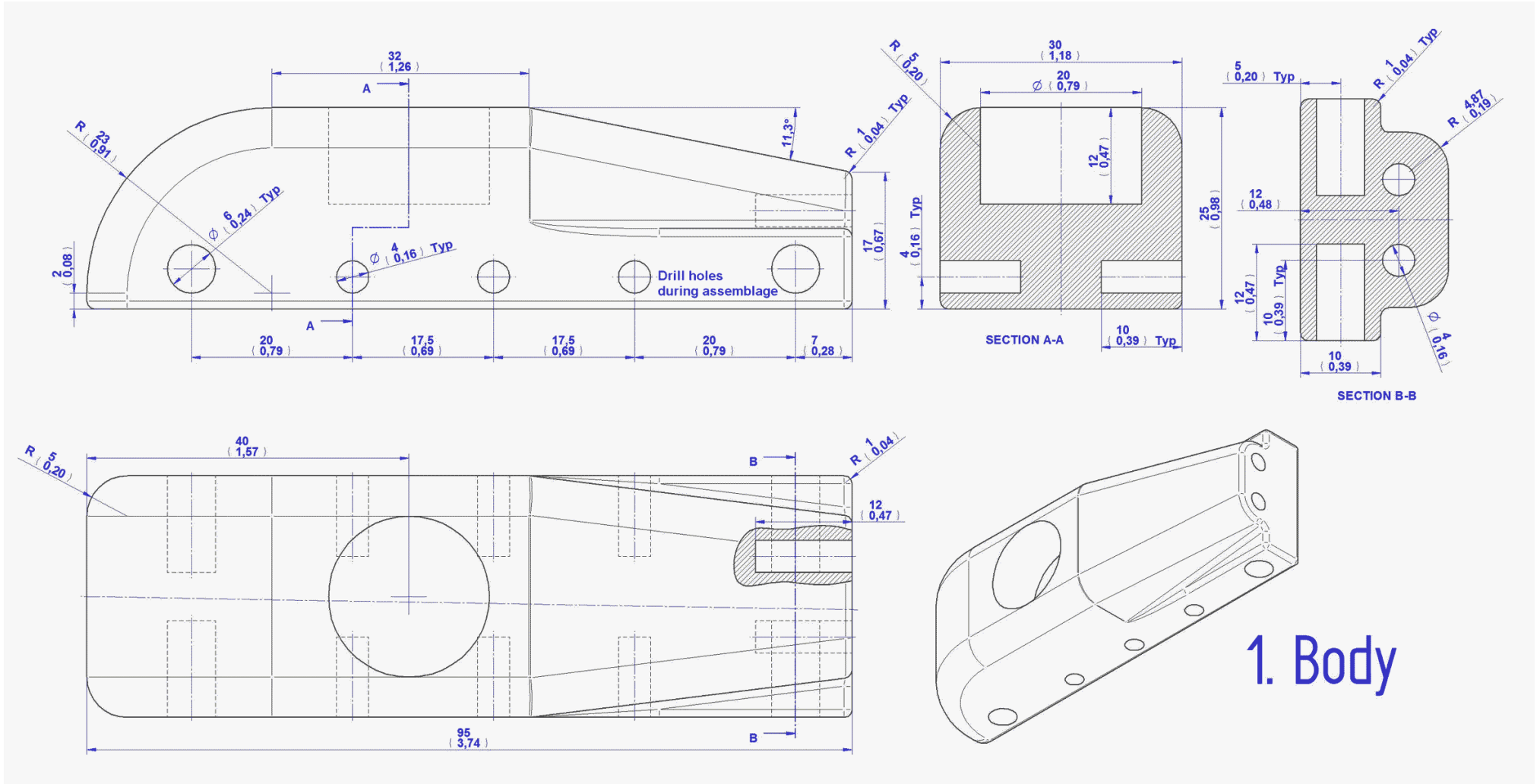
## Parts list

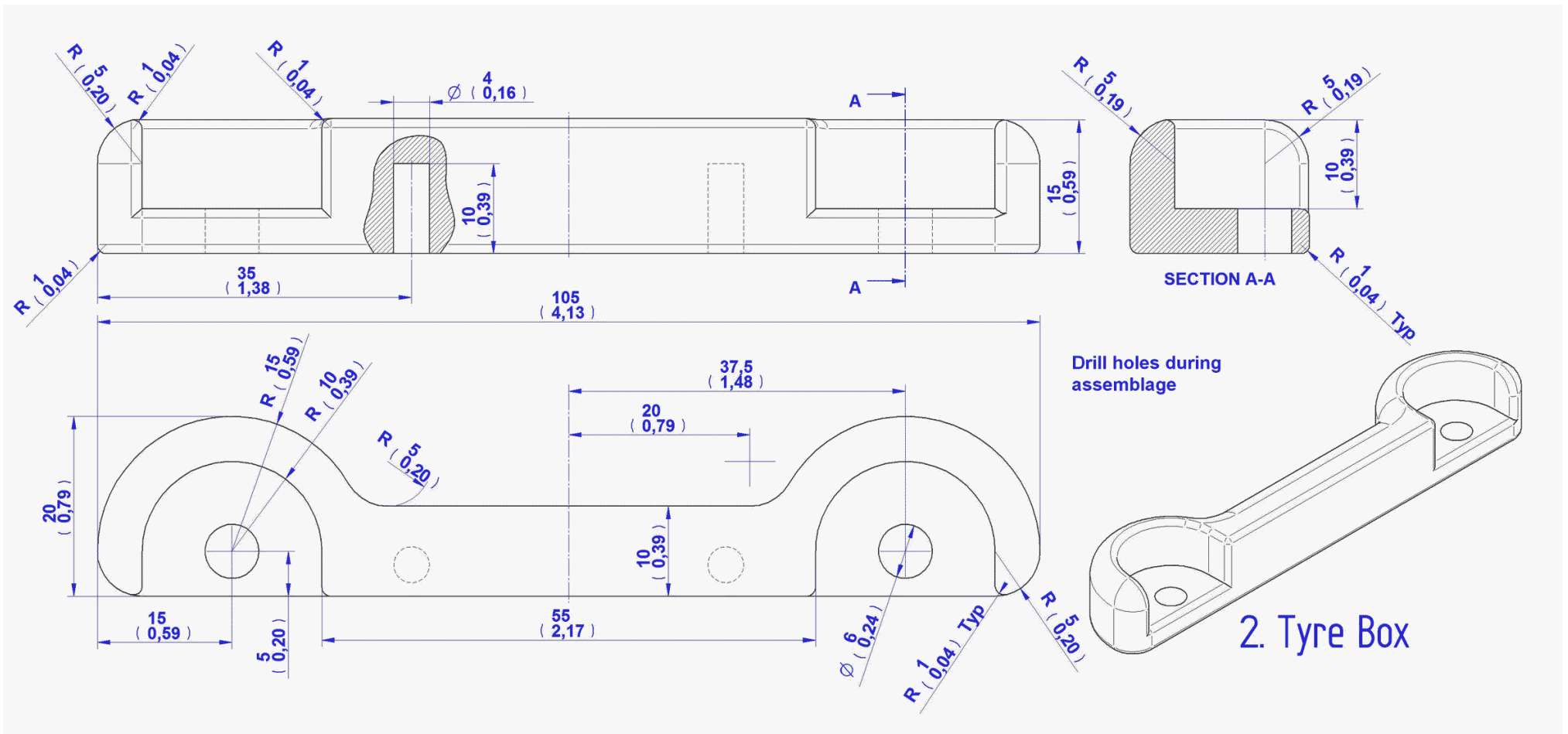


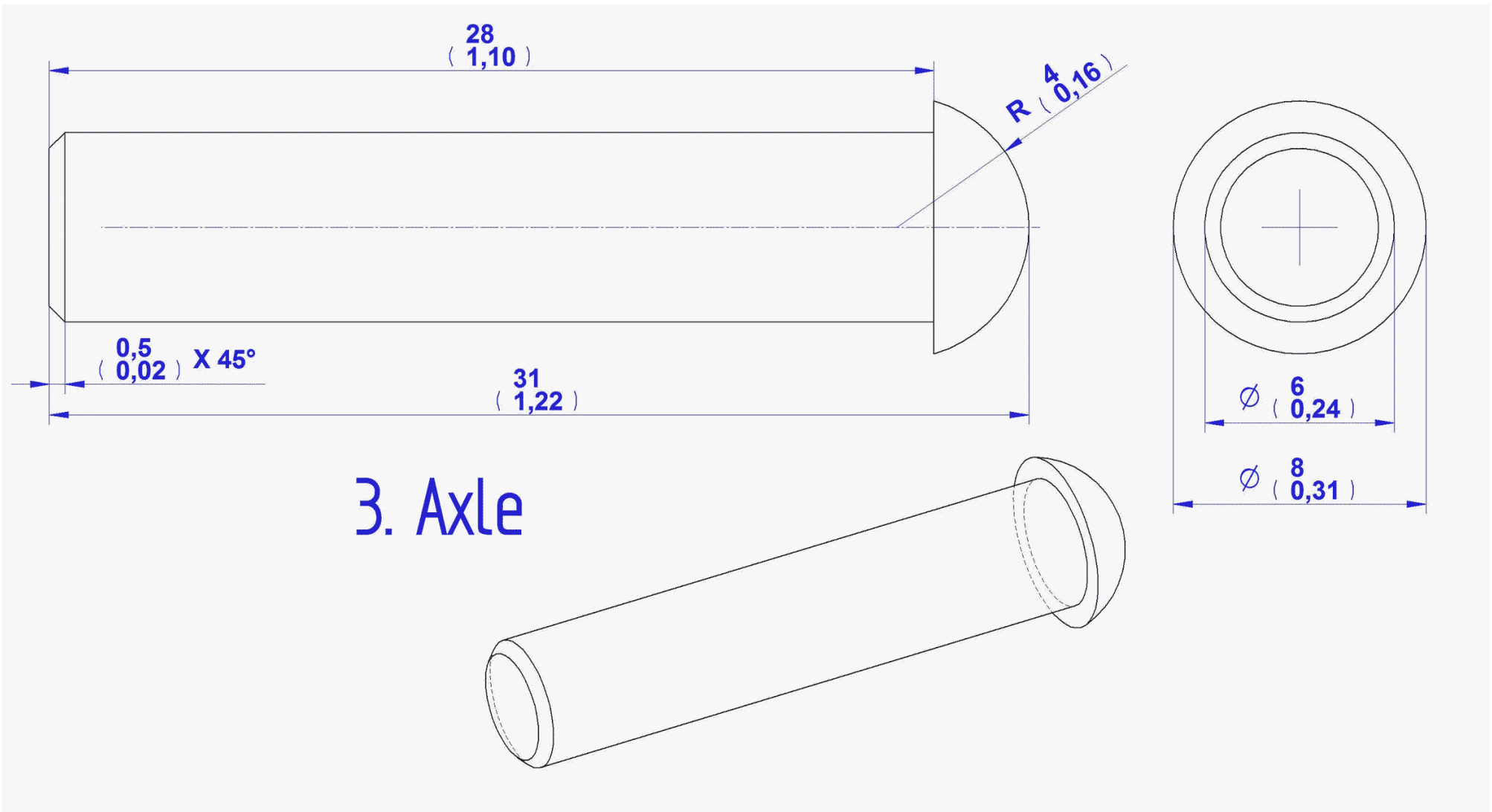
Item Number	Title	Material	Quantity
1	Body	Wood,	1
2	Tyre Box	Wood,	2
3	Axle	Wood,	4
4	Tyre	Wood,	4
5	Driver	Wood	1
6	Dowel	Wood	6
7	Neadlamp	Wood	2

# Assembly Drawing



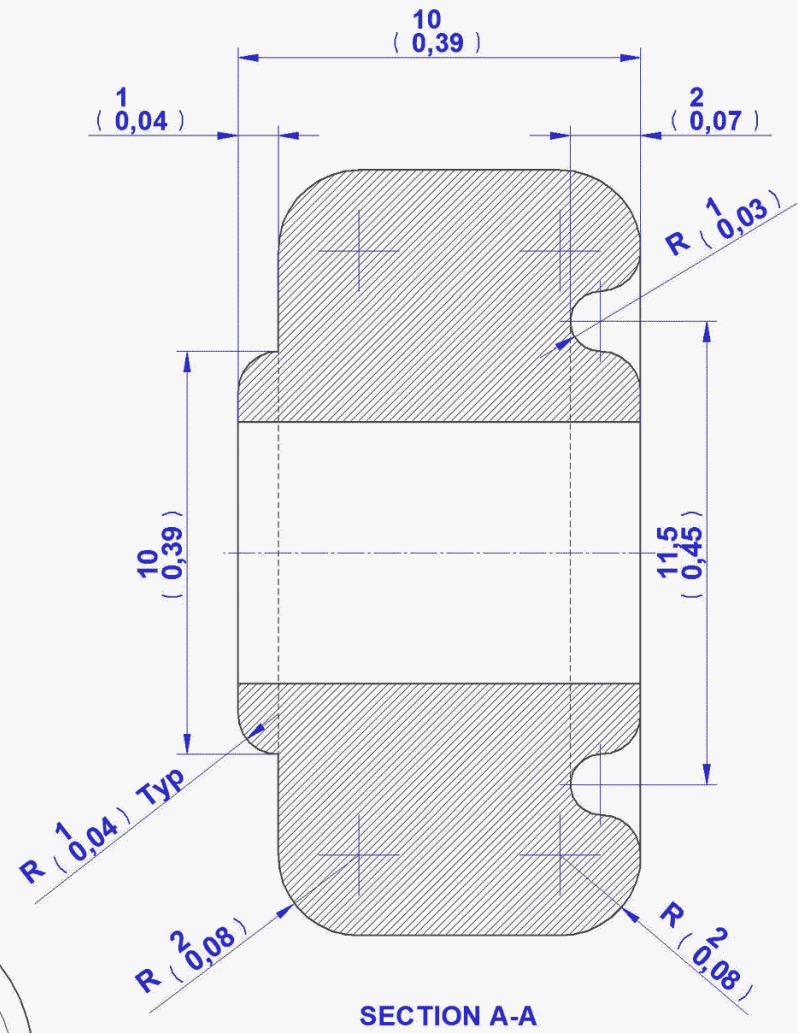
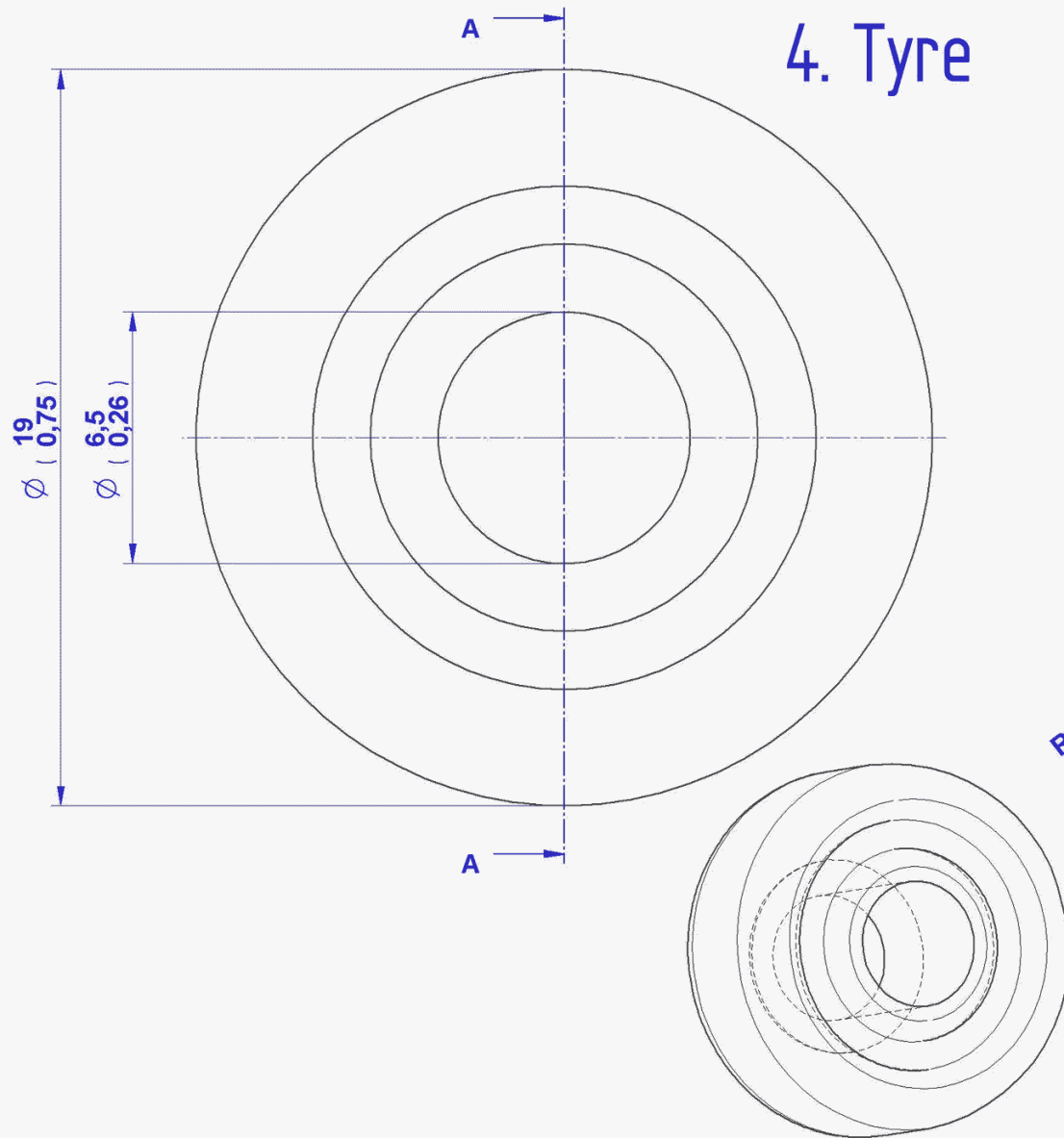


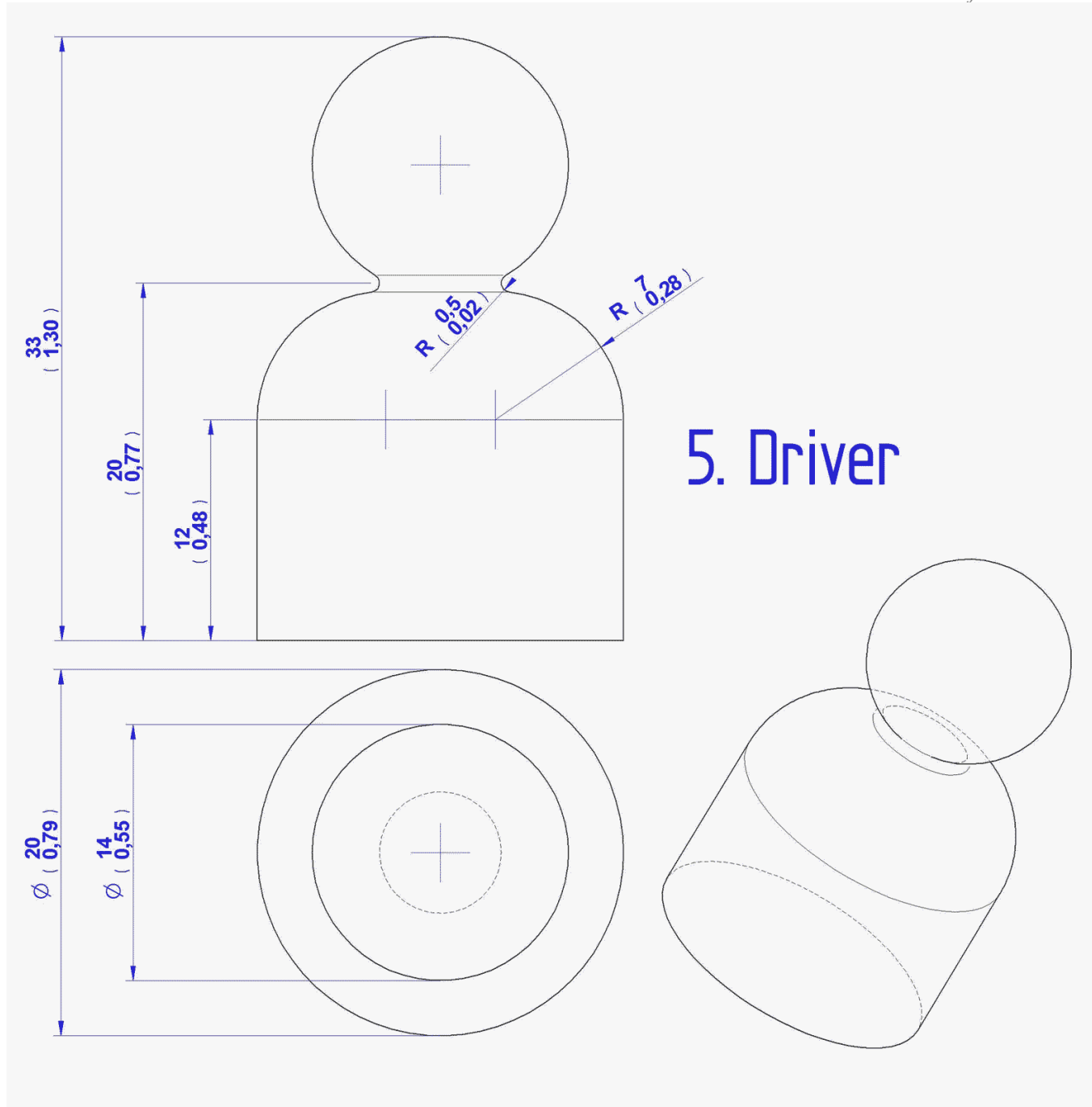




### 3. Axle

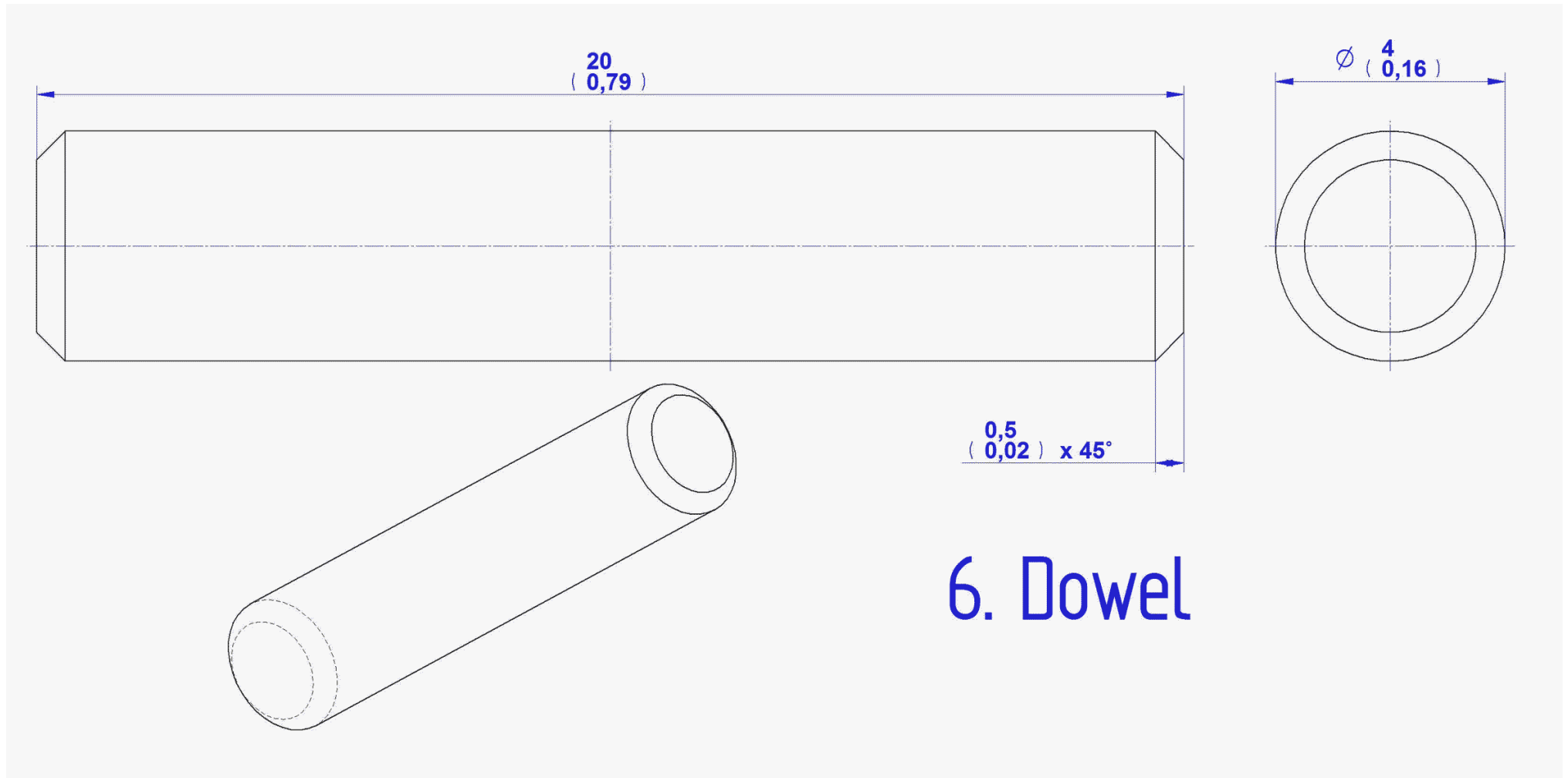
# 4. Tyre



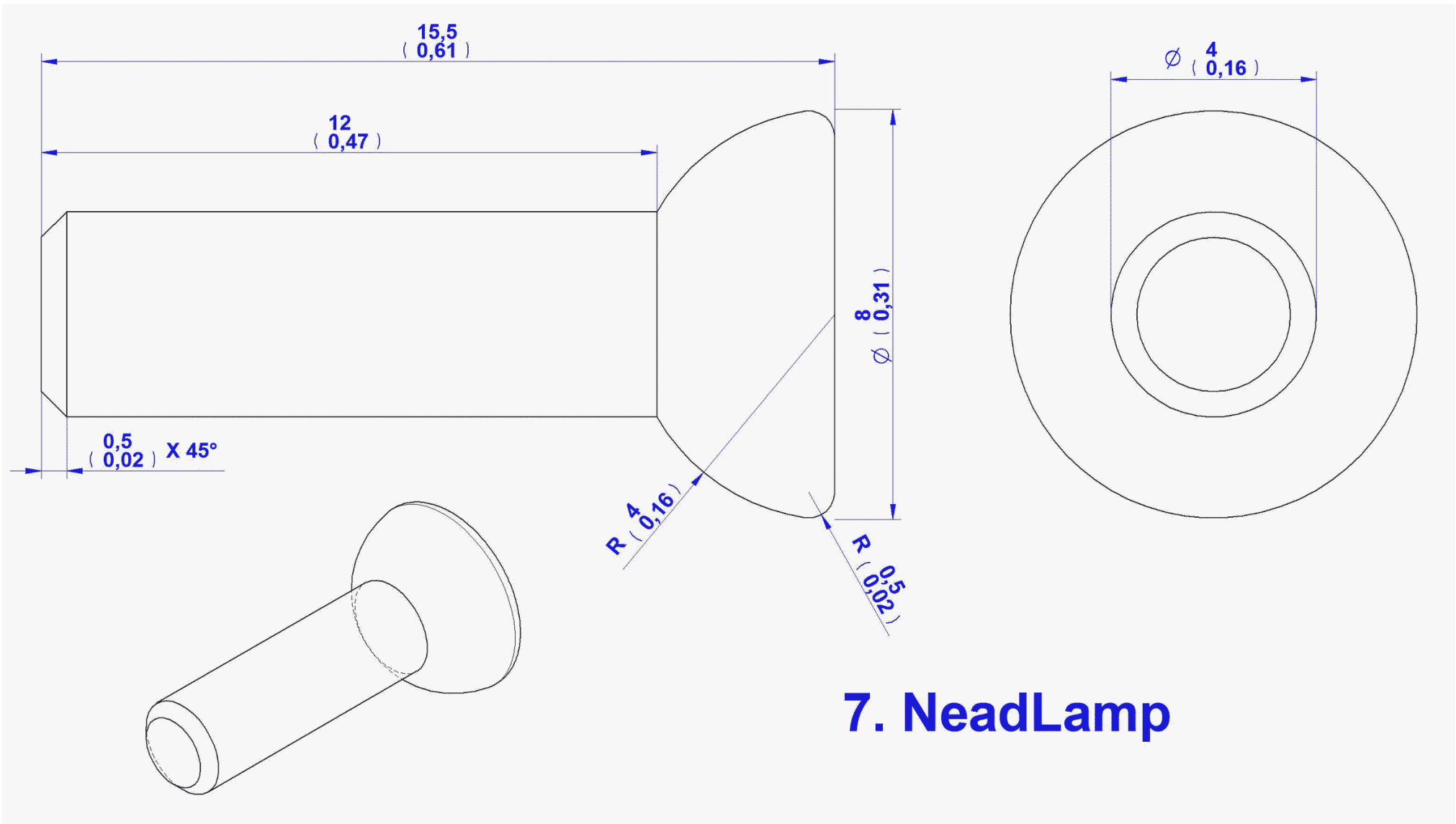


## 5. Driver





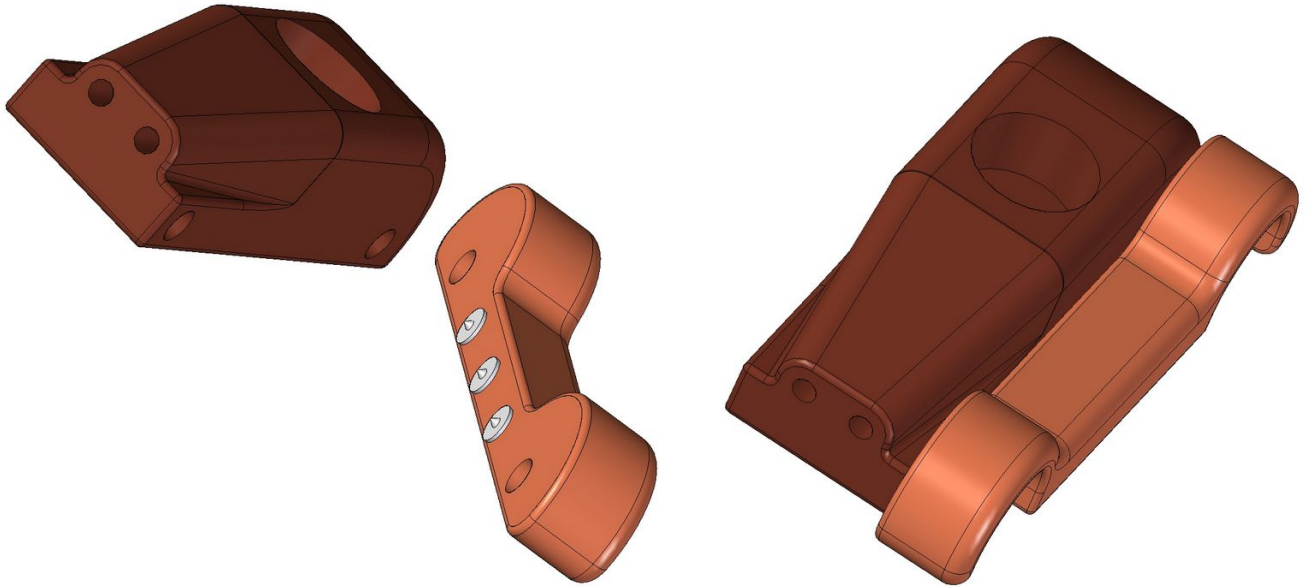
## 6. Dowel



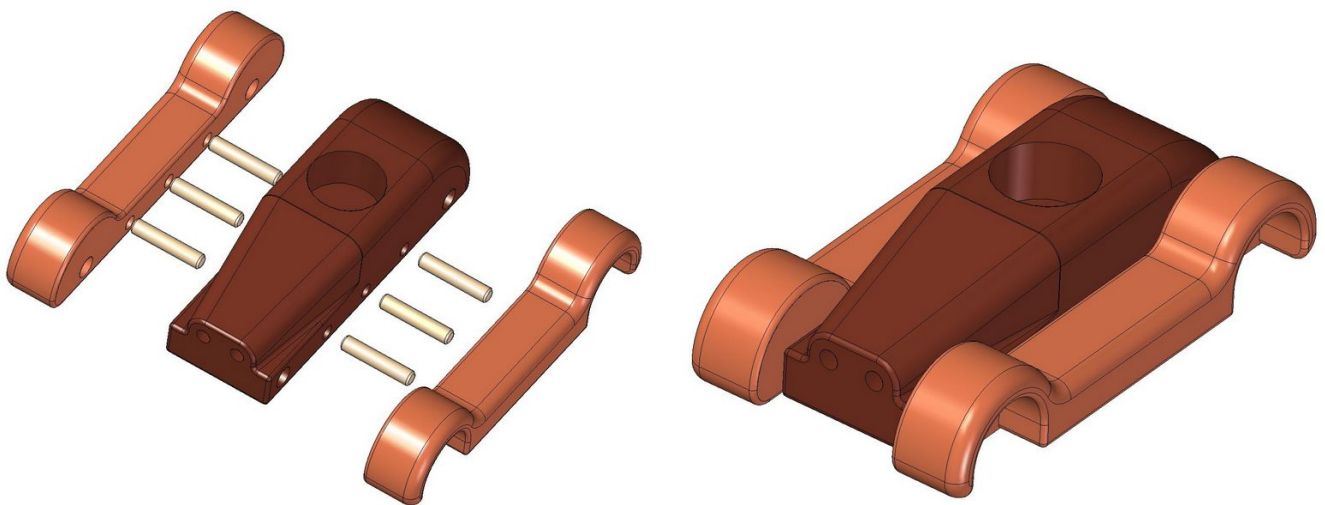
## 7. NeadLamp

## Assemblage images

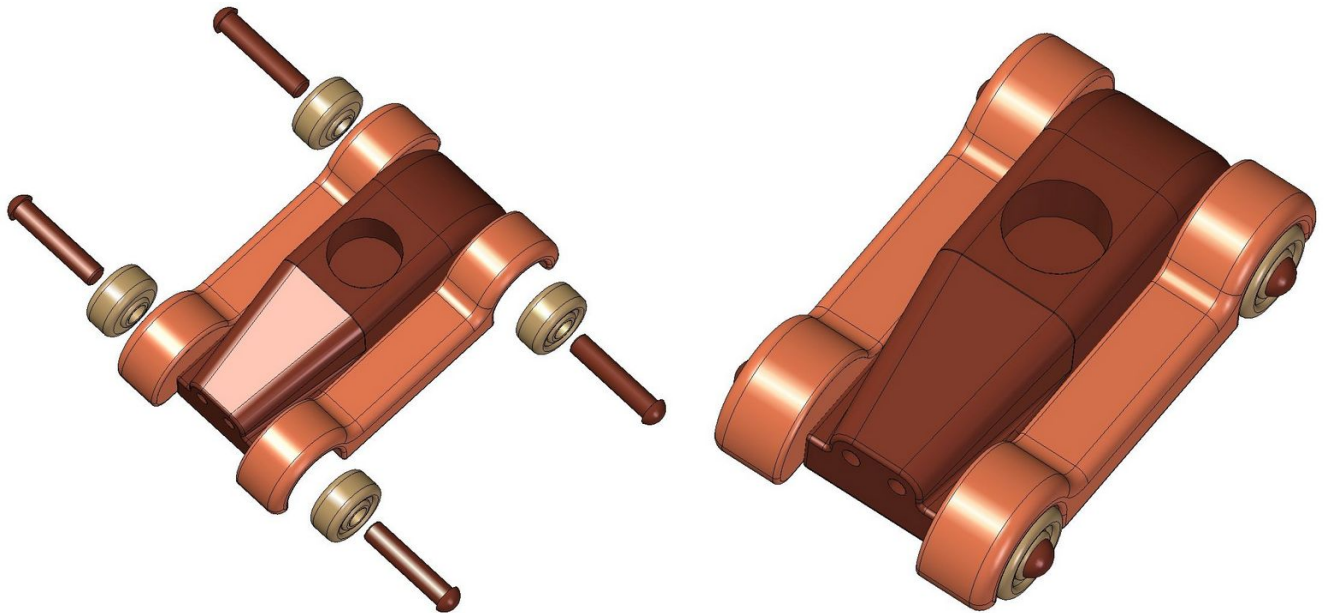
1.



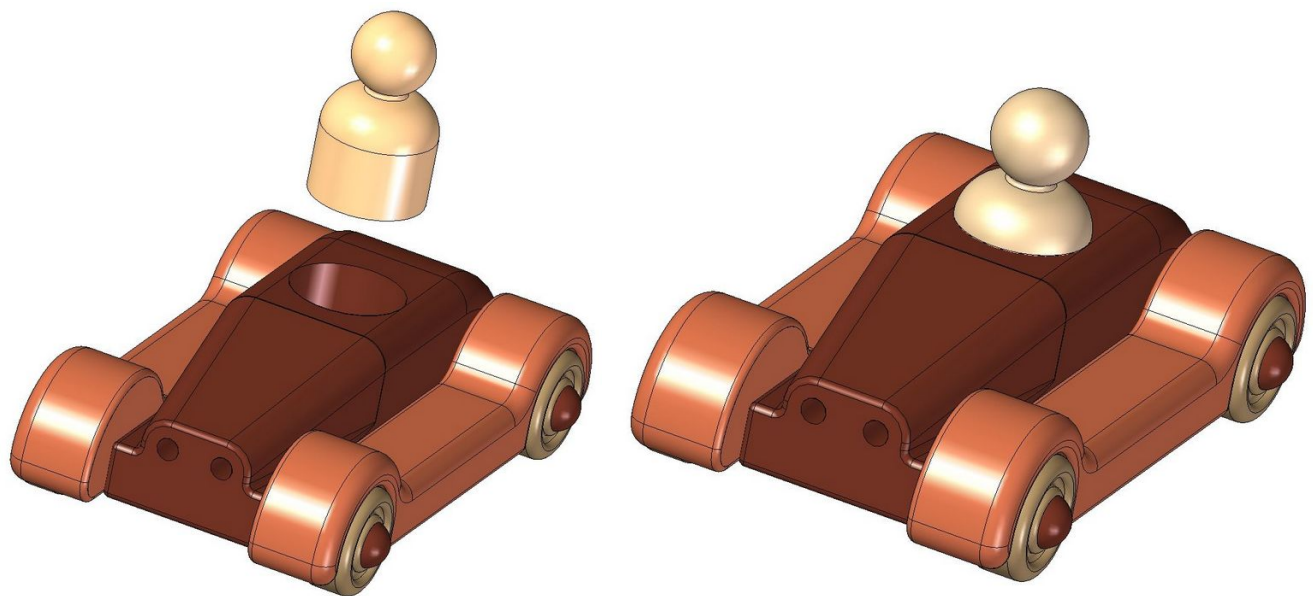
2.



3.



4.



5.

