

## Beer seating set plan



If you need a strong and durable seating set for your yard, kitchen or tavern, on this page you can find a plan by which you can make one just as described. Due to its durable construction it is ideal for 'beer houses' or pubs, as suggested by its very name. This seating set has been tested in practice because its measurements and design have been taken in a real-life pub where such seating sets have served for more than 10 years.

The seating set made according to our plan is intended for 8 persons drinking beer. However, if you also want to serve food on the table, then only 6 persons can be seated (the chairs are superfluous). The plan contains drawings to help you make a table, benches and chairs, just keep in mind that the chair is simply a narrowed version of the bench (bench width is adapted to one person). Based on the plan, you can easily adjust this seating set to various purposes: for a changing number of persons, just for drinks, for serving meals, etc.

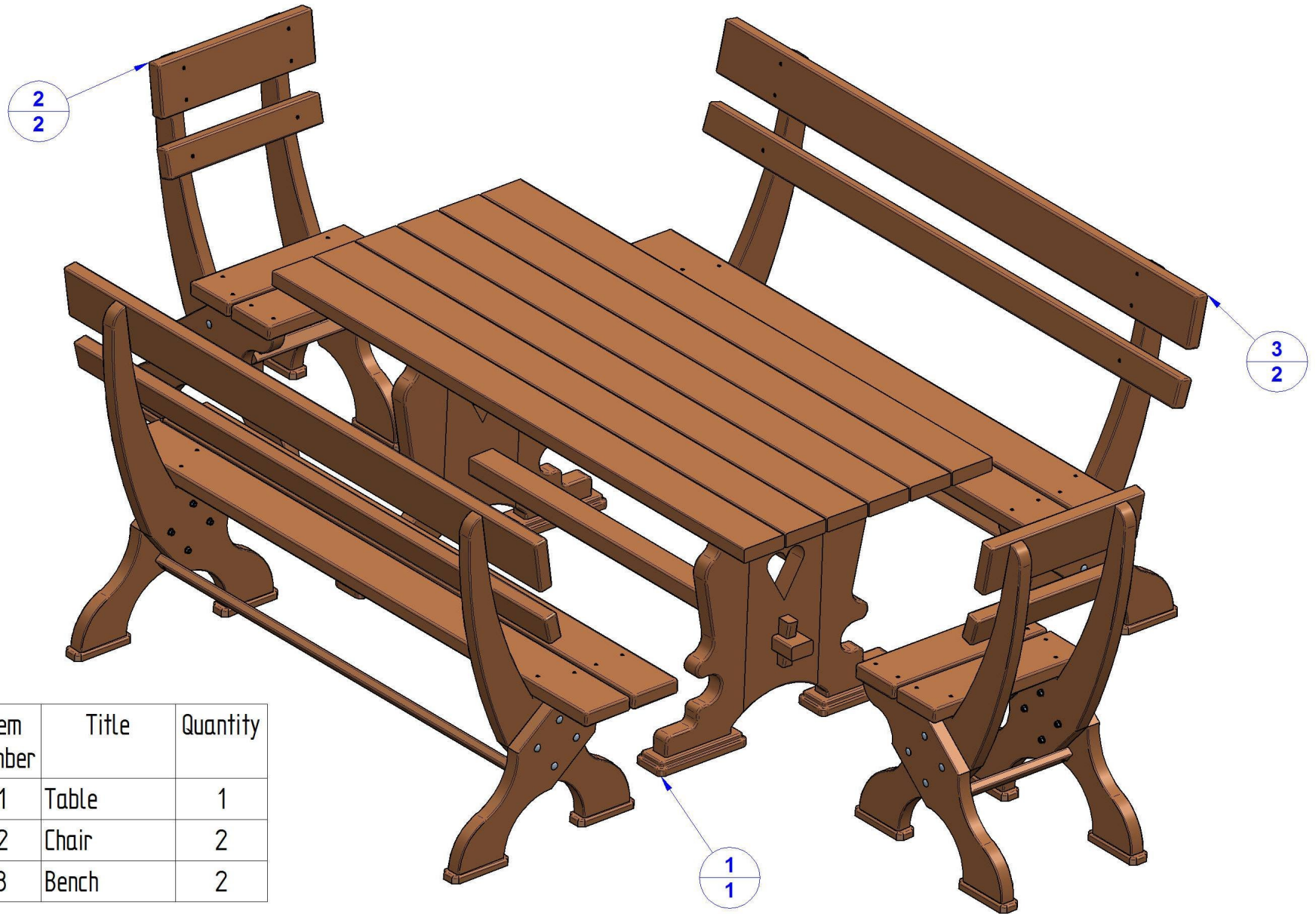
Table dimensions in our plan: L 805mm (31.69in), W 1800 mm (70.87in) and H 750mm (29.53in).  
Bench dimensions in our plan: L 625mm (24.6in), W 1800 mm (70.87in) and H 999mm (39.33in).  
Chair dimensions in our plan: L 625mm (24.6in), W 500 mm (19.69in) and H 999mm (39.33in).

When it comes to woodworking joints, only the wedged tusk tenon and the mortise joint have been used, and all other connections between the parts were made with fasteners that we have tried to hide as much as possible. Although we have also tried to considerably simplify the construction, the making of this seating set is definitely not suitable for beginners.

You can use either hardwood or softwood, but if the seating set needs to withstand intensive use, it is better to use hardwood. Since all the parts are rather thick, you can decorate them with carvings or some simple scroll saw ornaments. Thus, this seating set will become even more attractive and will surely attract people's attention.

If you are going to keep the seating set outside exposed to the elements, plan to protect it as best you can, because the entire set is very heavy to carry and requires two people to manipulate it.

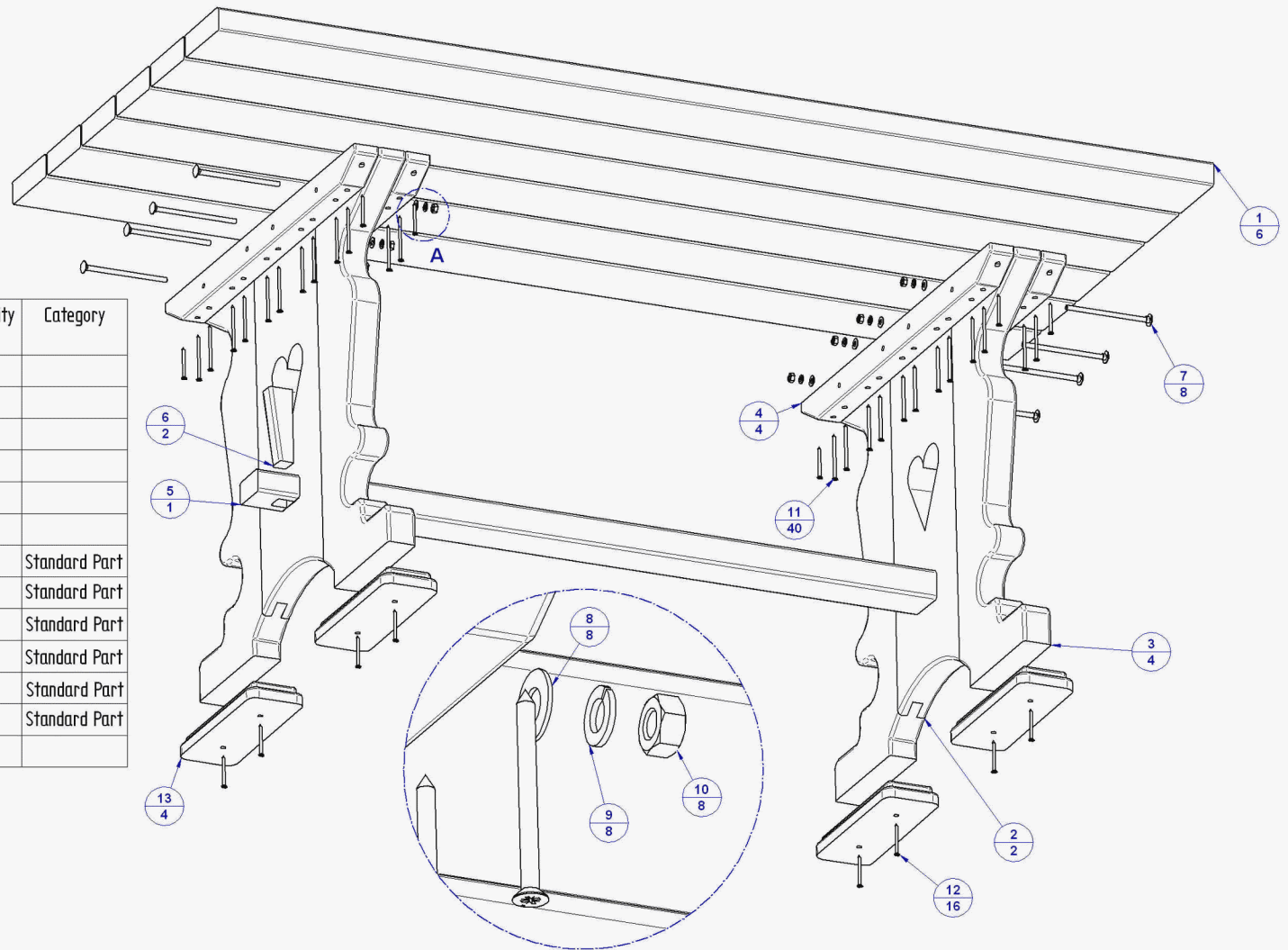
## Subassembly List



Item Number	Title	Quantity
1	Table	1
2	Chair	2
3	Bench	2

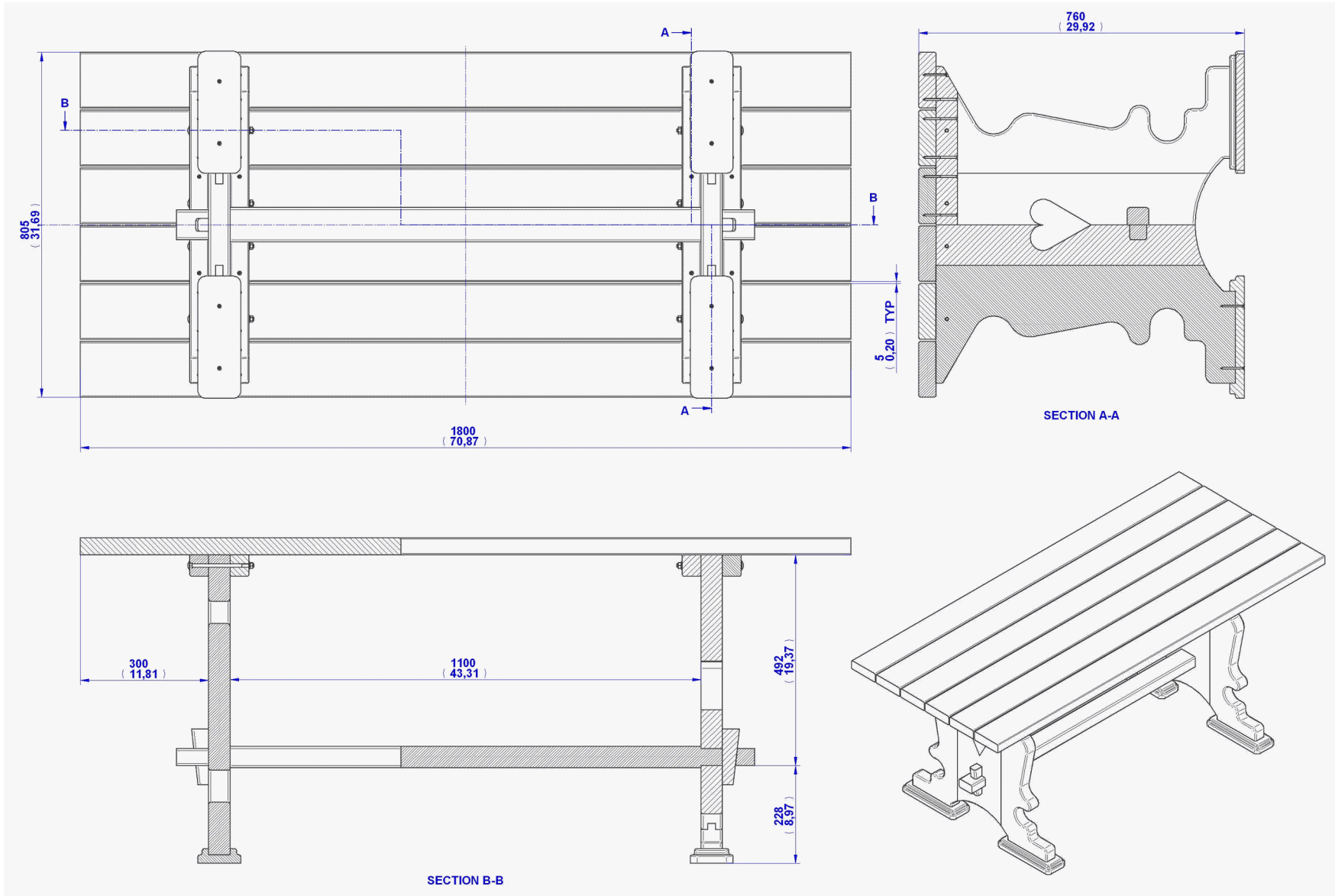
## Table Parts List

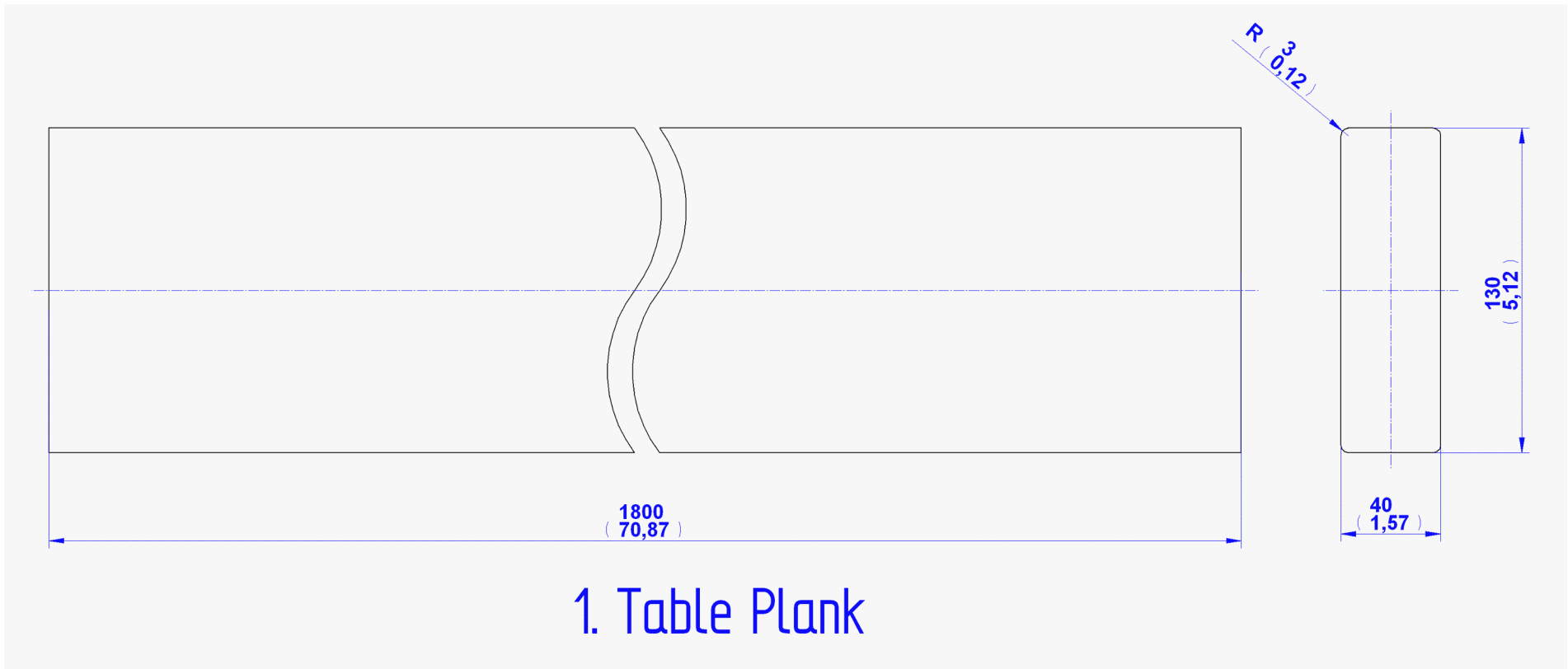
Item Number	Title	Material	Quantity	Category
1	Table Plank	Wood	6	
2	Leg With Hart	Wood	2	
3	Leg With Decoration	Wood	4	
4	Support	Wood	4	
5	Table Horizontal	Wood	1	
6	Wedge	Wood	2	
7	Bolt M8x150mm	Steel	8	Standard Part
8	Washer 8	Steel	8	Standard Part
9	Lock washer A8	Steel	8	Standard Part
10	Hexagon Nut M8	Steel	8	Standard Part
11	Wood Screw D4,5x80mm	Steel	40	Standard Part
12	Wood Screw D4,5x55mm	Steel	16	Standard Part
13	Table Paw	Wood	4	



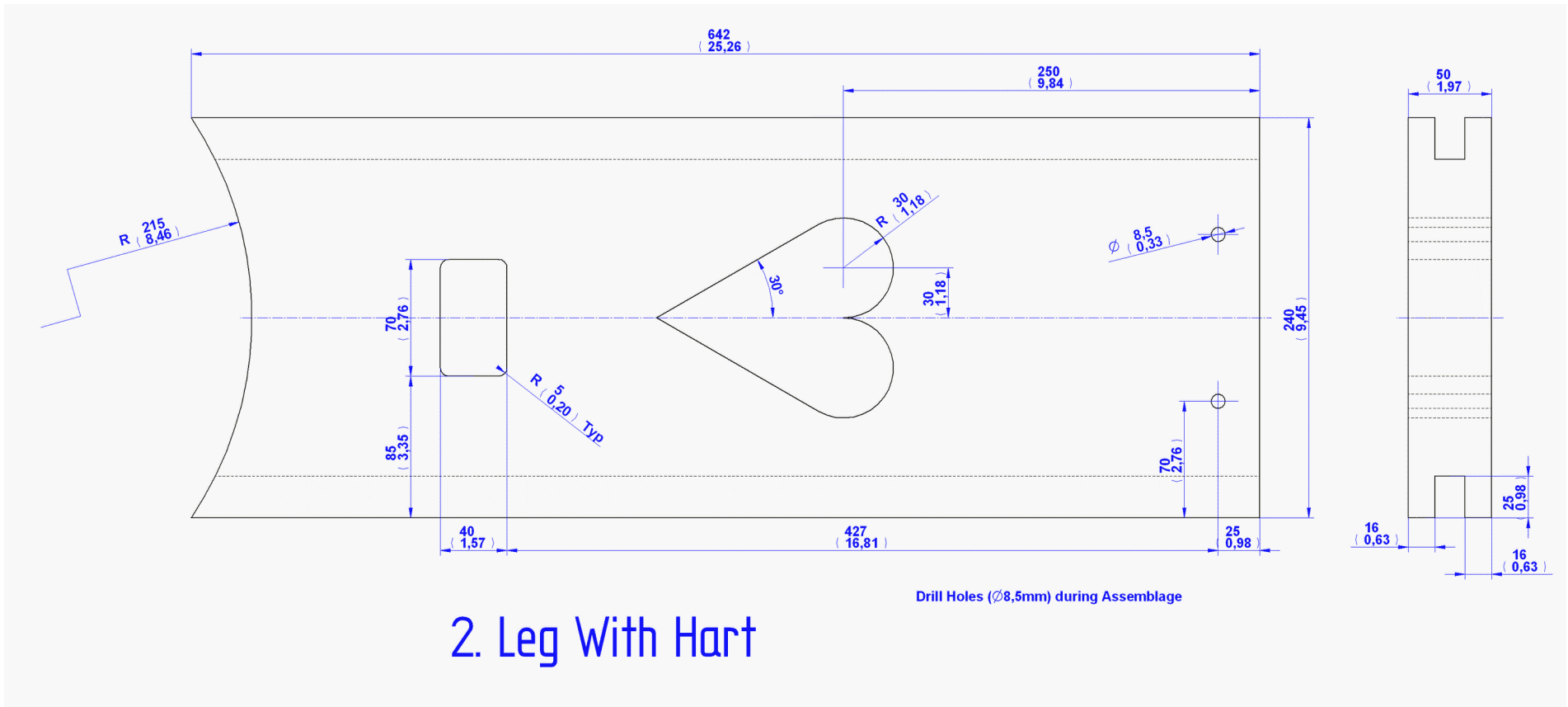
DETAIL A

## Table 2D Documentation





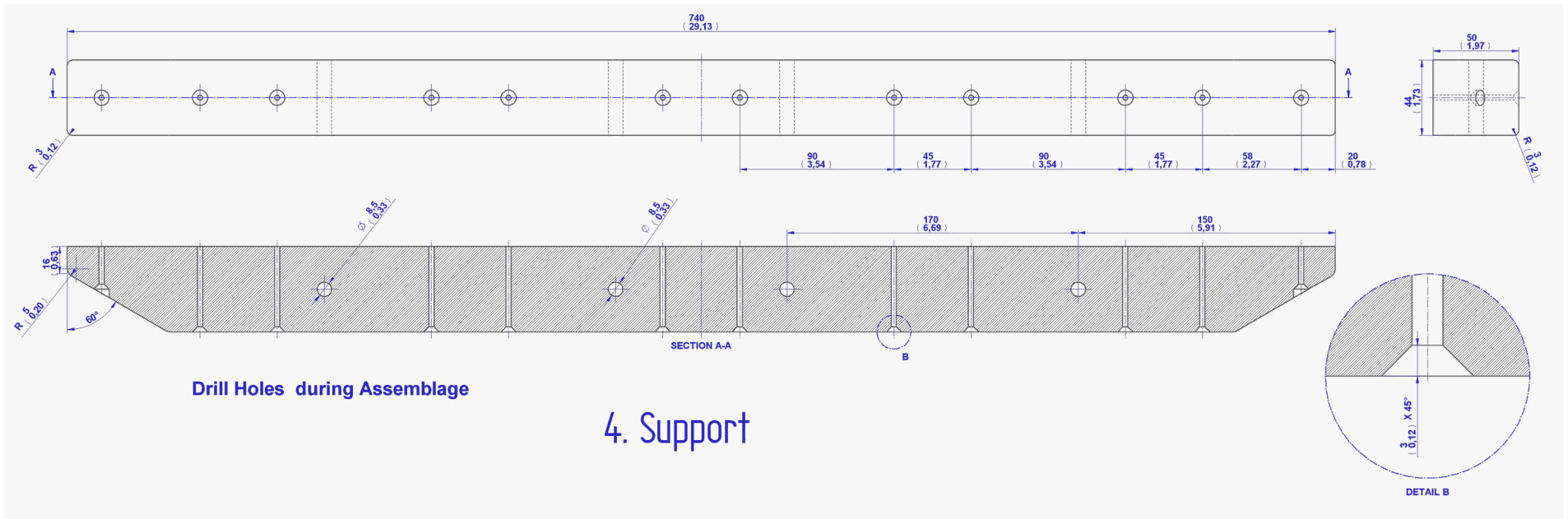
1. Table Plank

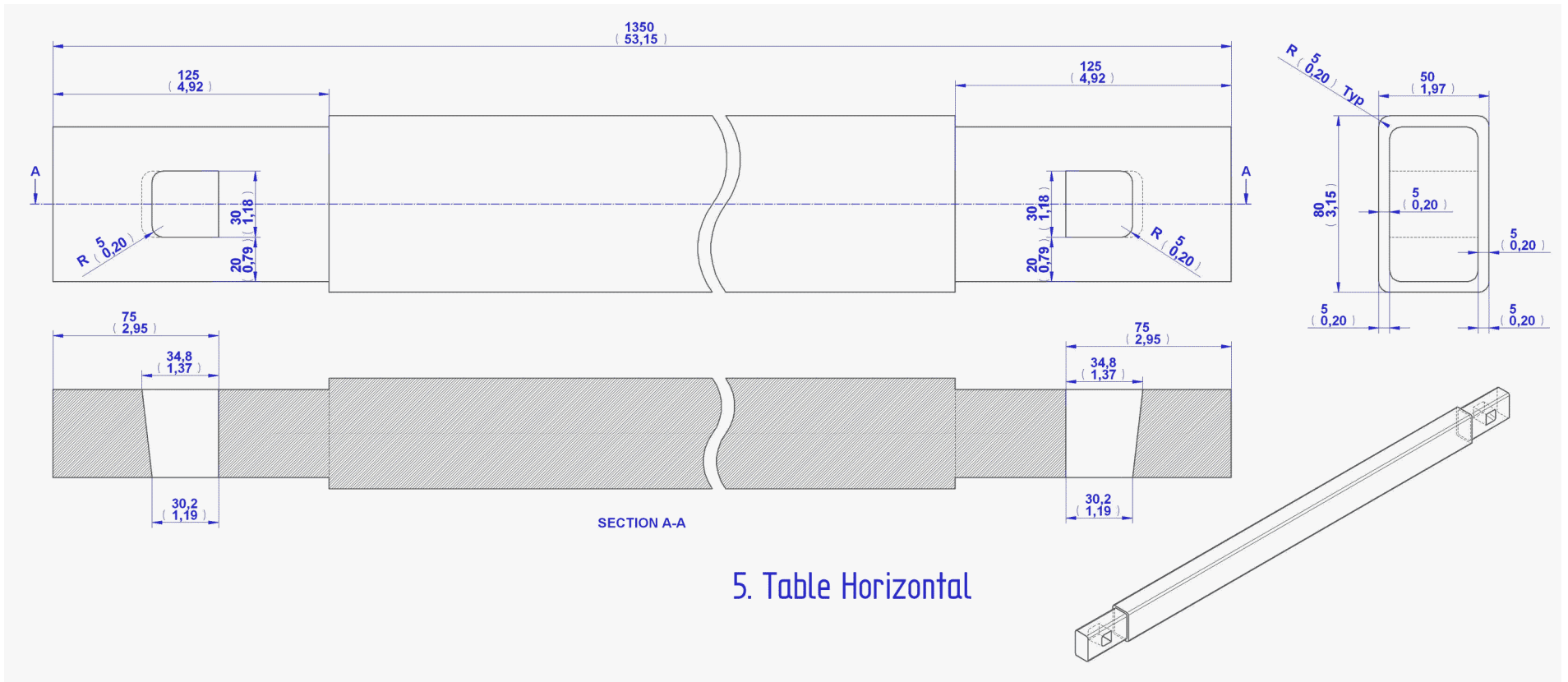


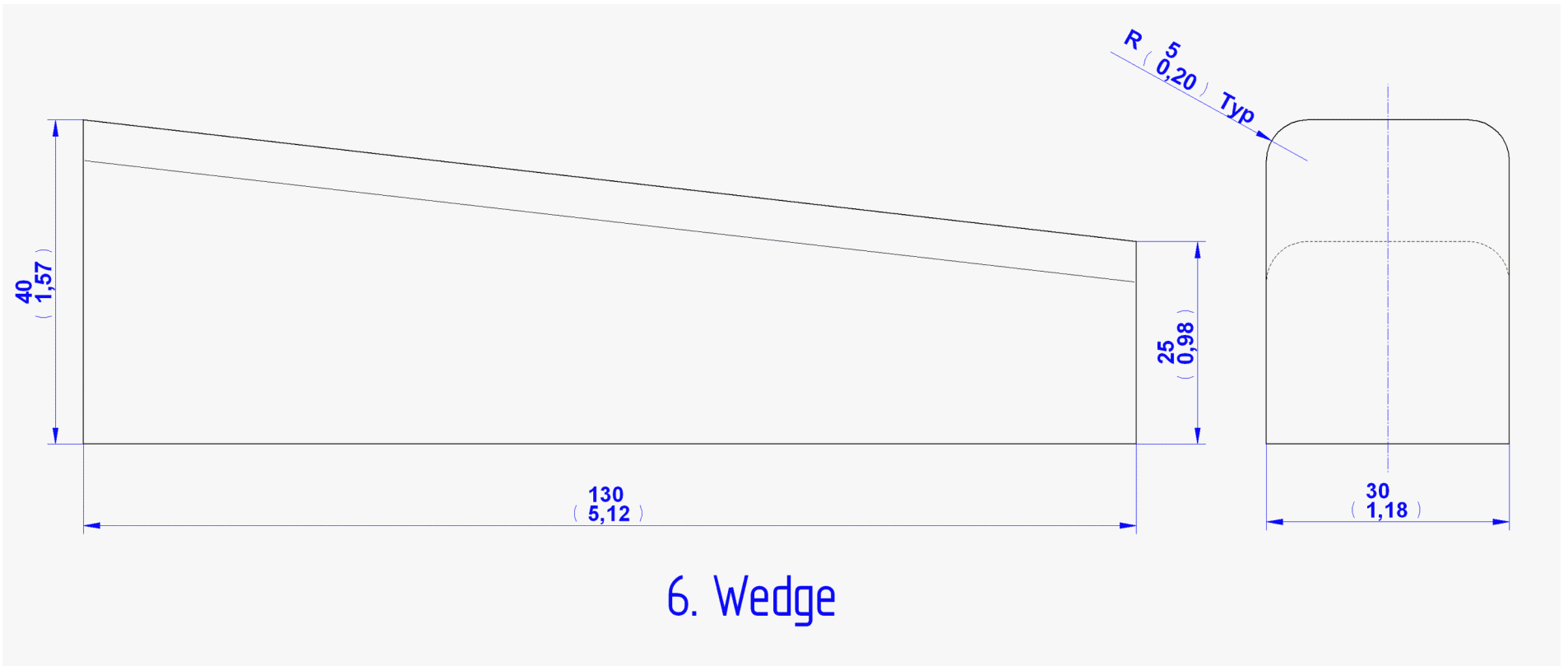
## 2. Leg With Hart

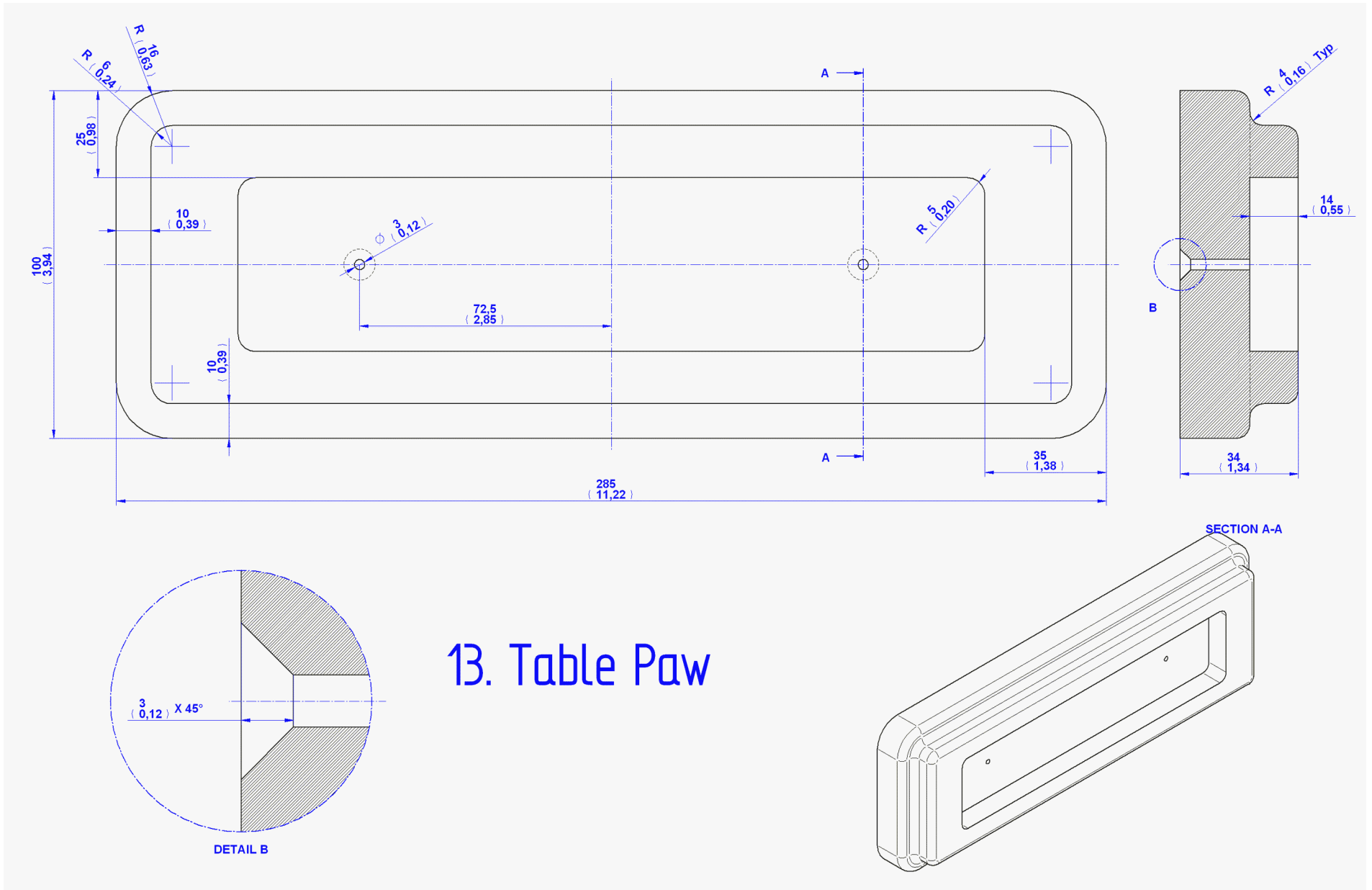


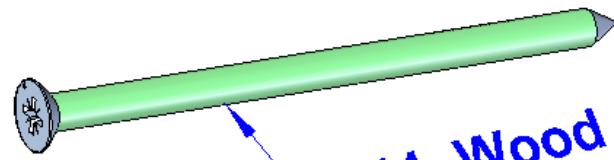




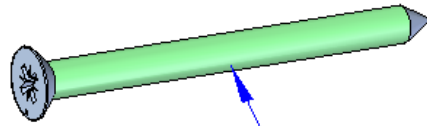




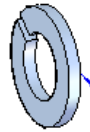




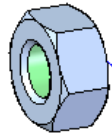
11. Wood Screw D4,5x80mm



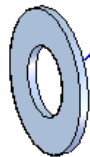
12. Wood Screw D4,5x55mm



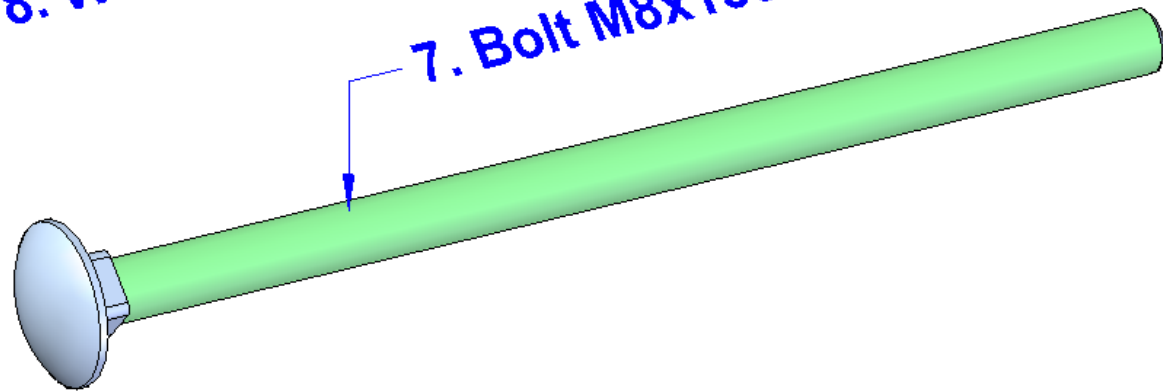
9. Lock Washer A8



10. Hexagon Nut M8



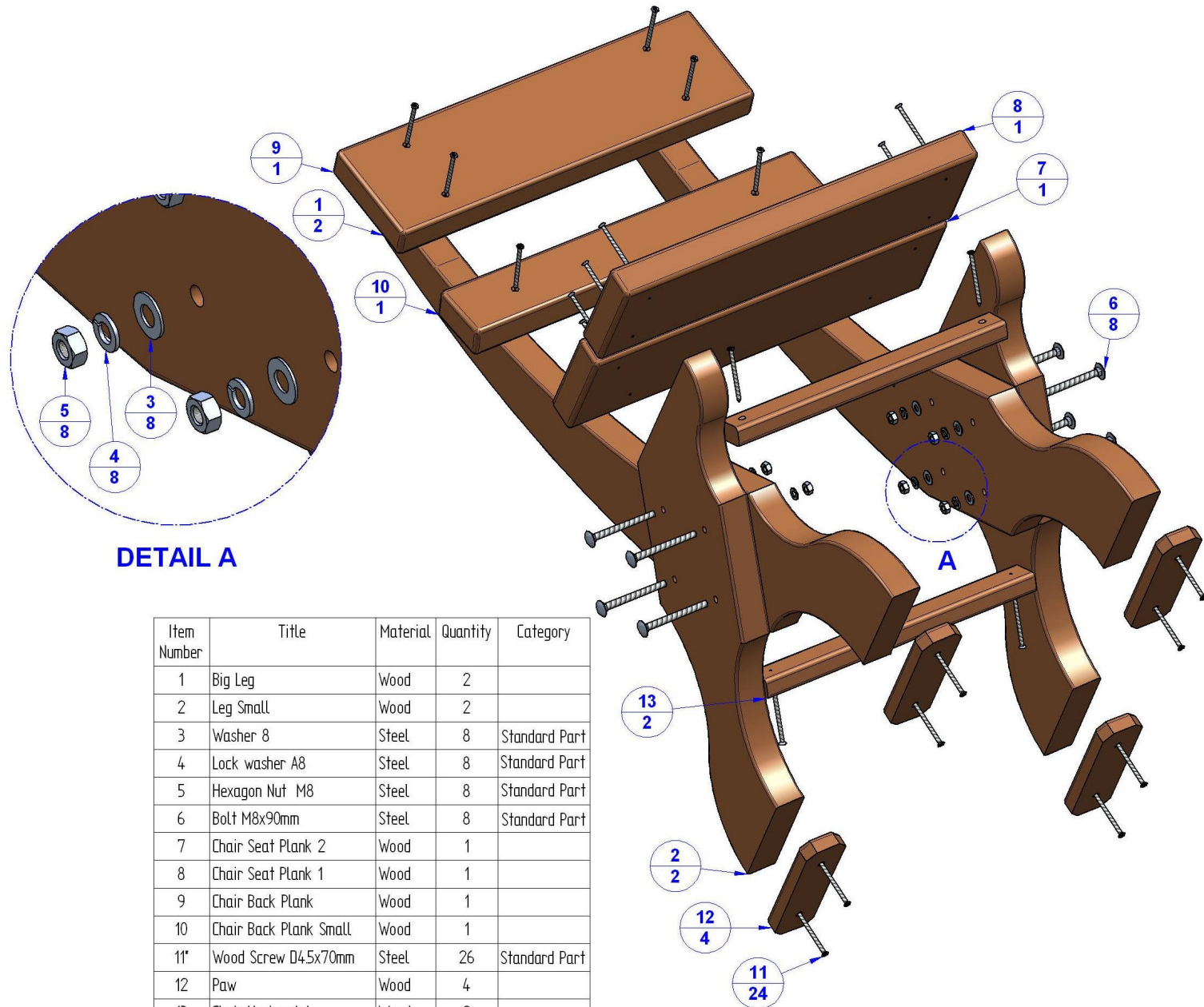
8. Washer 8



7. Bolt M8x150mm

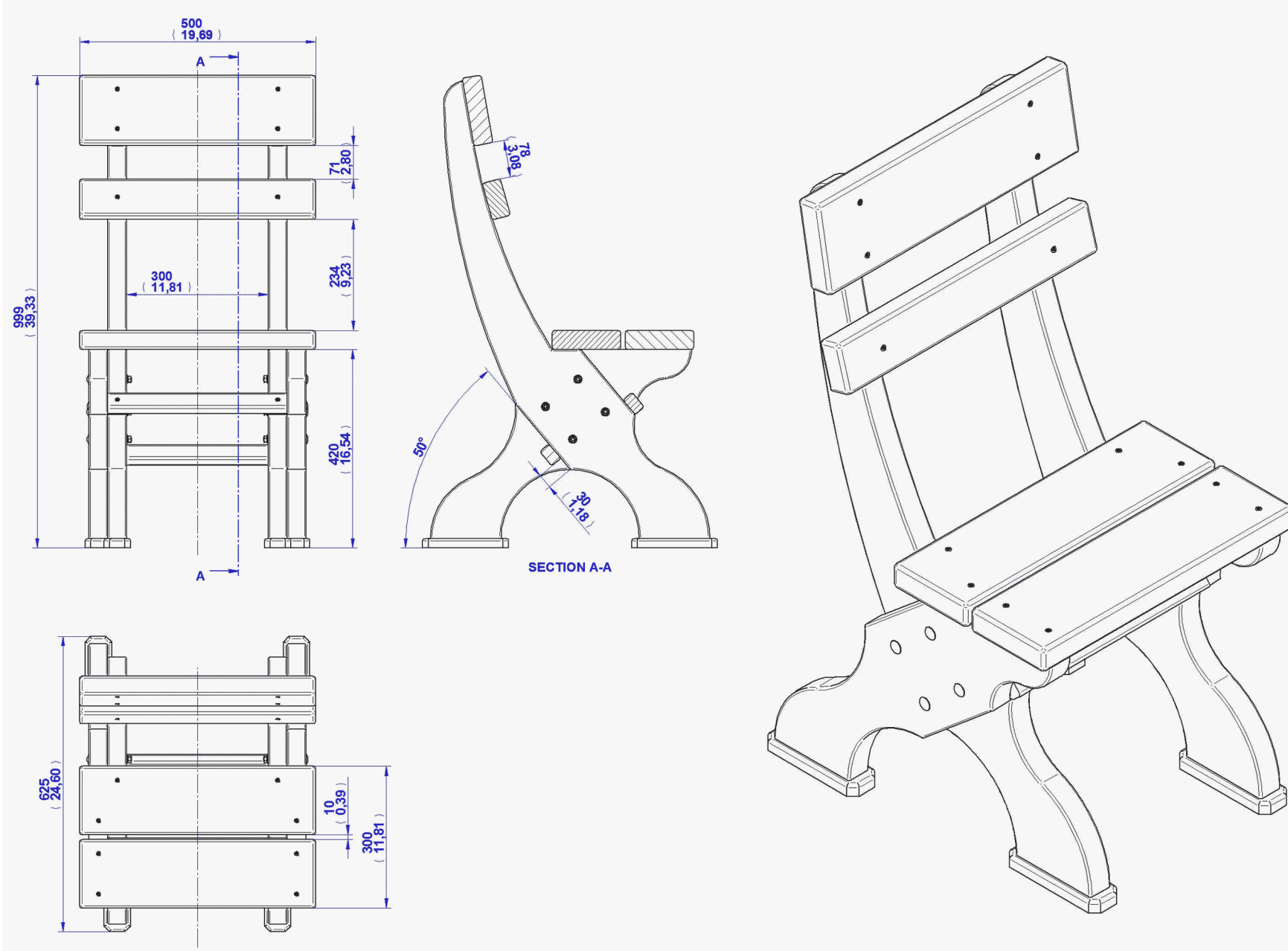
# STANDARD PARTS

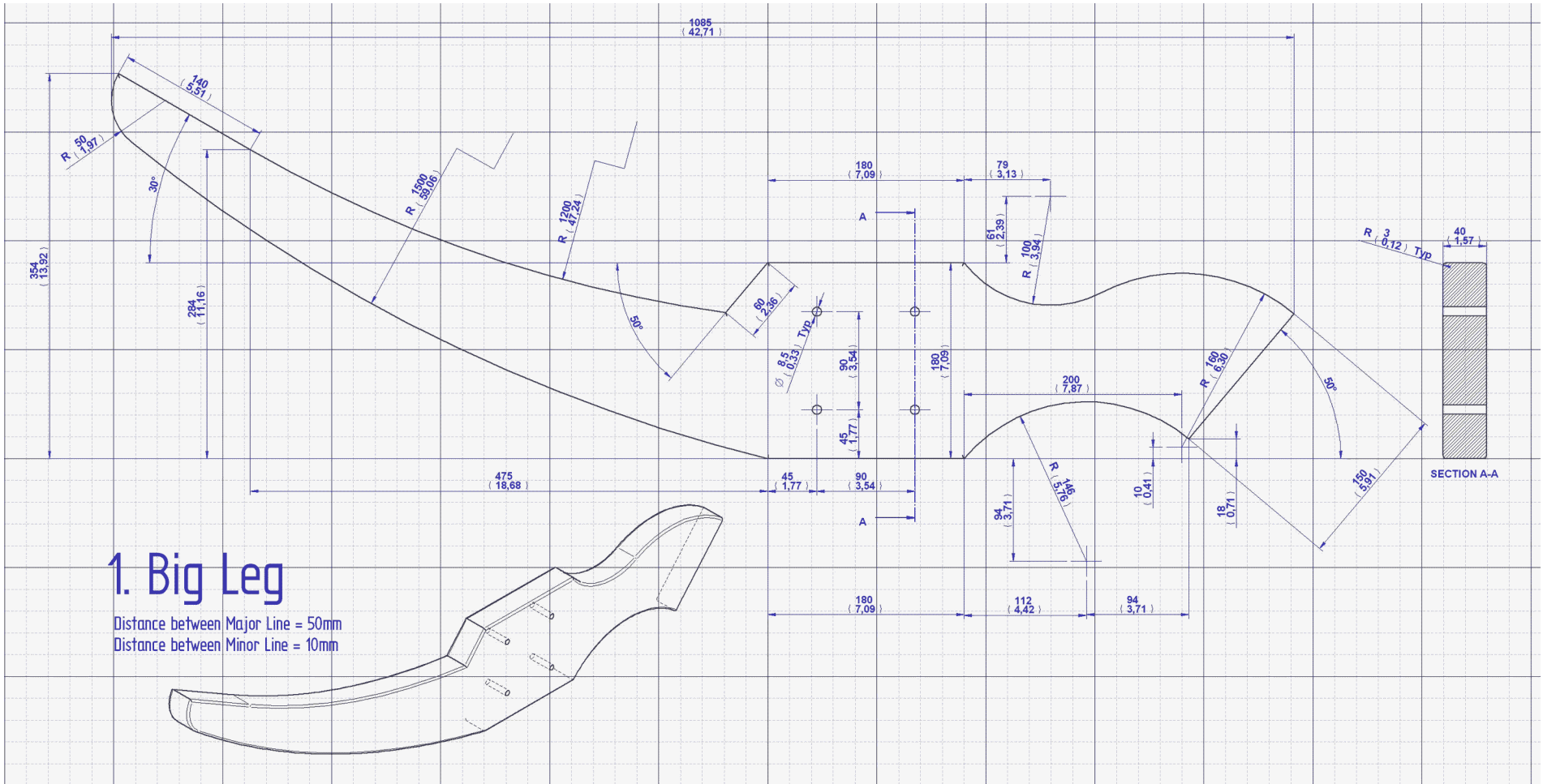
## Chair Parts List



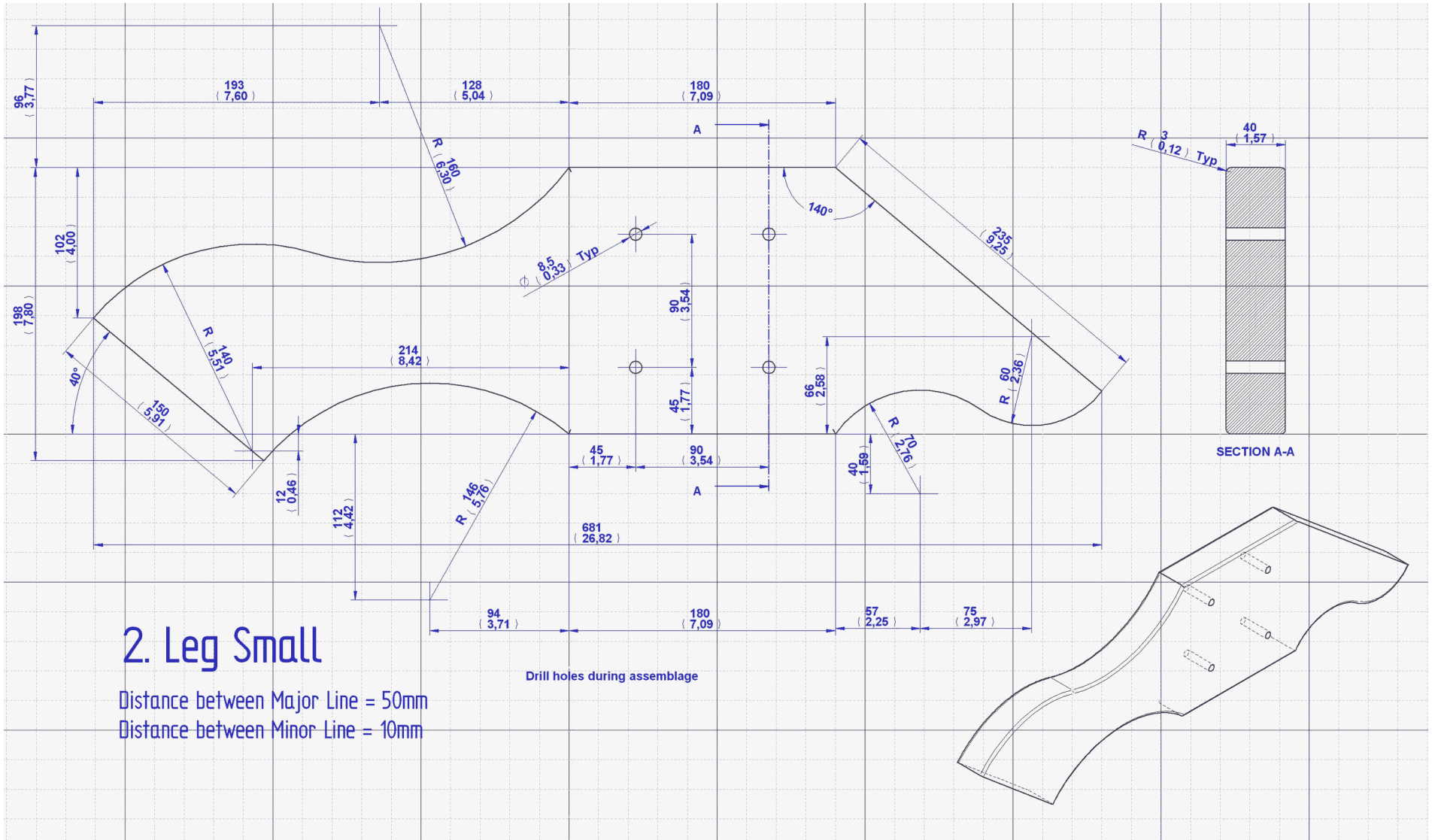
Item Number	Title	Material	Quantity	Category
1	Big Leg	Wood	2	
2	Leg Small	Wood	2	
3	Washer 8	Steel	8	Standard Part
4	Lock washer A8	Steel	8	Standard Part
5	Hexagon Nut M8	Steel	8	Standard Part
6	Bolt M8x90mm	Steel	8	Standard Part
7	Chair Seat Plank 2	Wood	1	
8	Chair Seat Plank 1	Wood	1	
9	Chair Back Plank	Wood	1	
10	Chair Back Plank Small	Wood	1	
11*	Wood Screw D4.5x70mm	Steel	26	Standard Part
12	Paw	Wood	4	
13	Chair Horizontal	Wood	2	

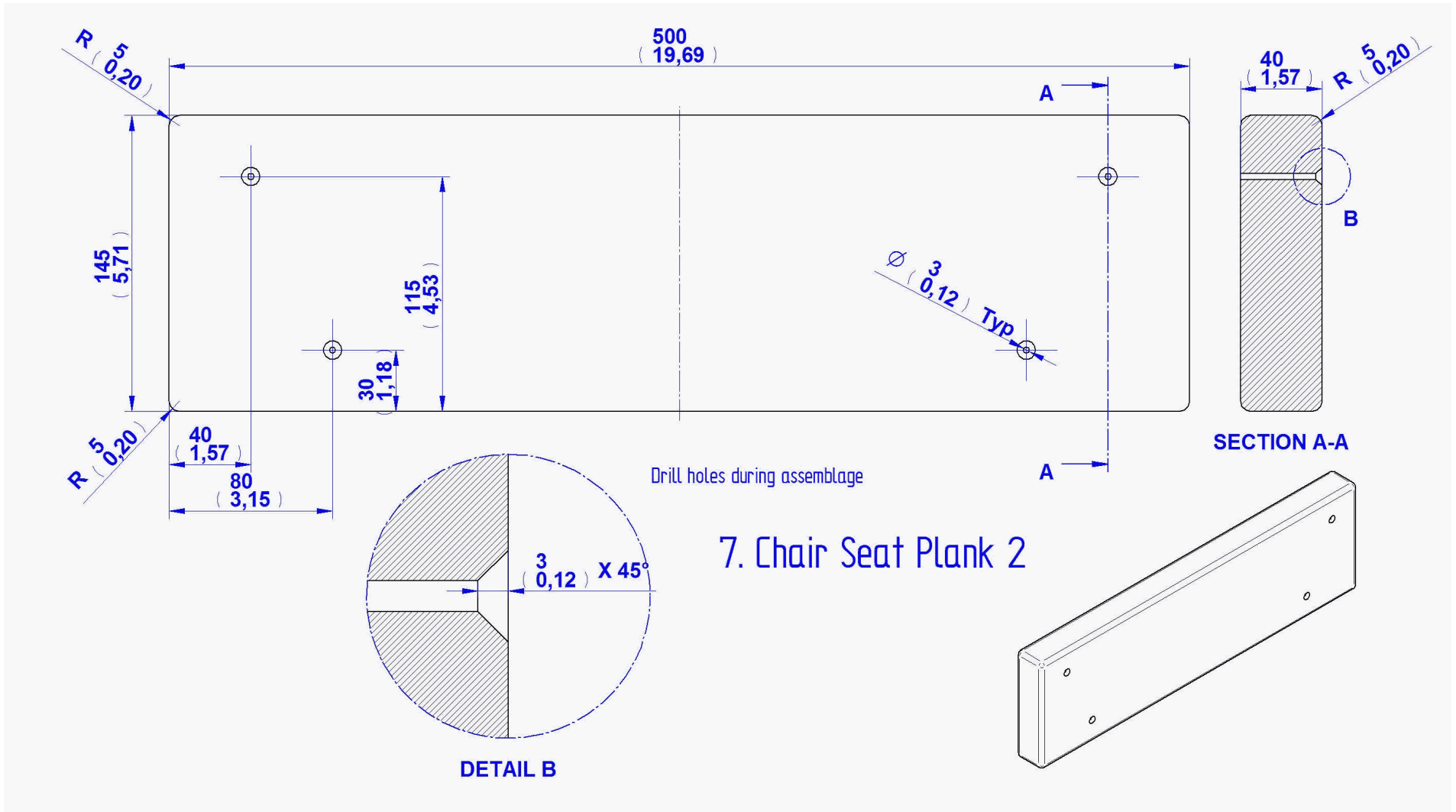
## Chair 2D Documentation

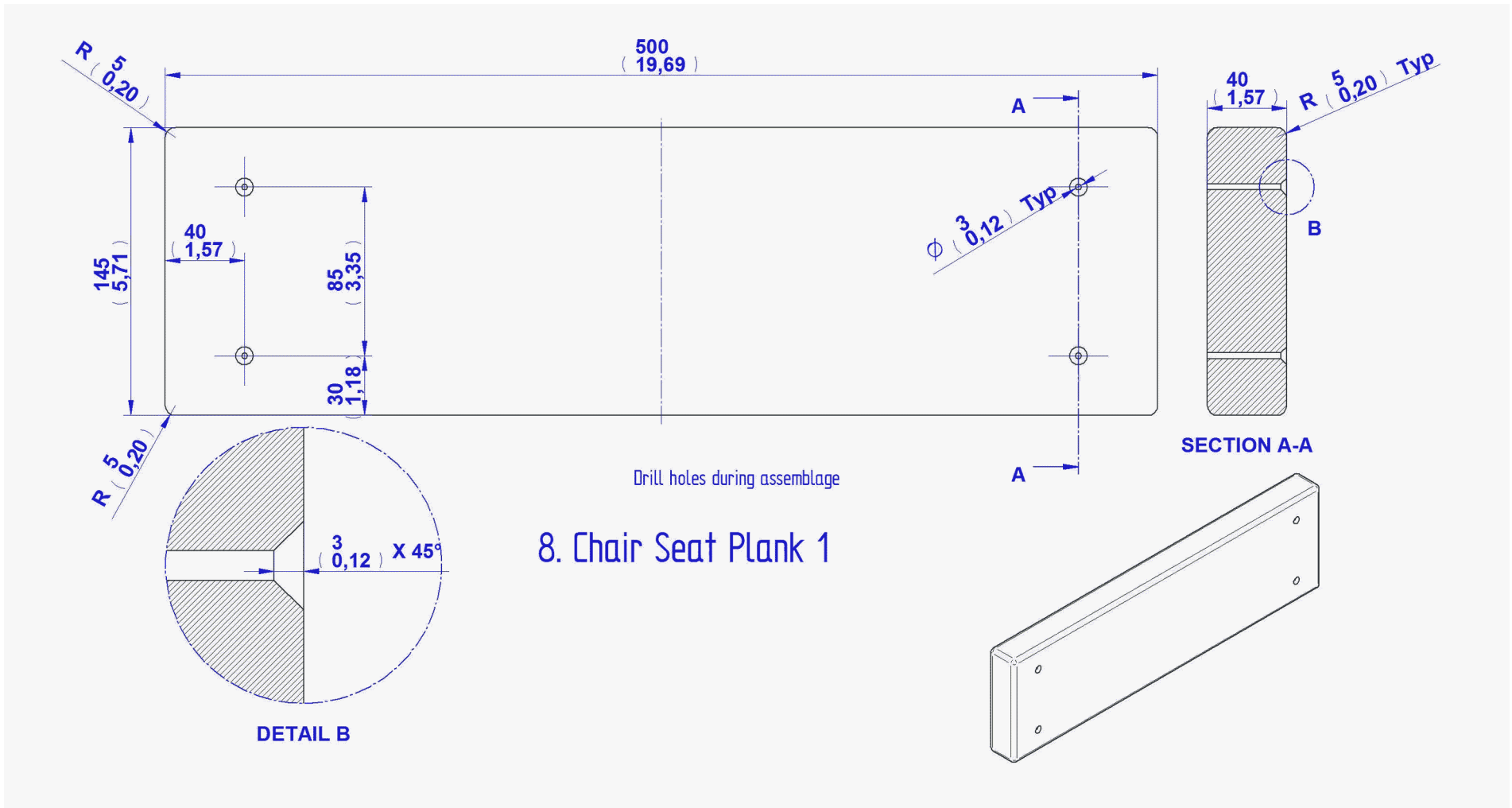




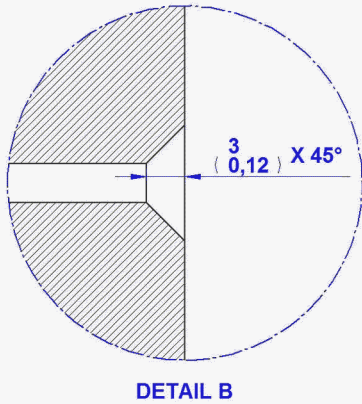
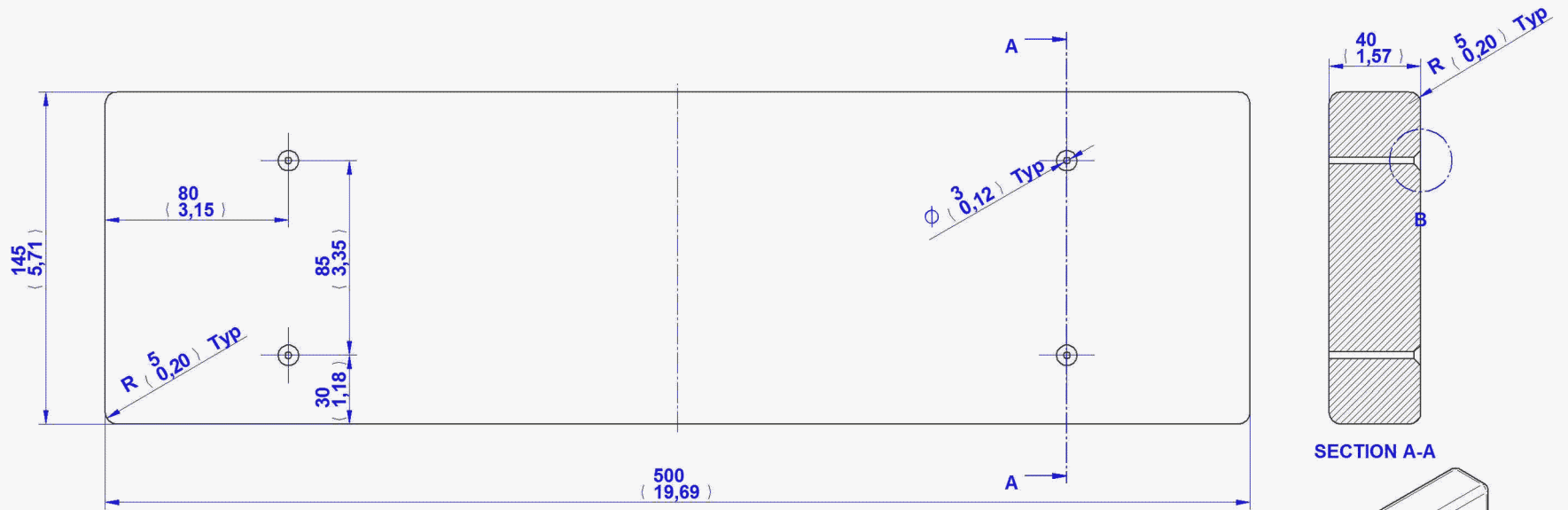






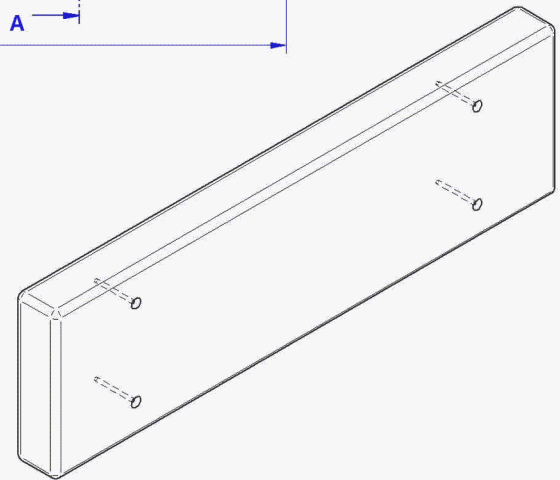


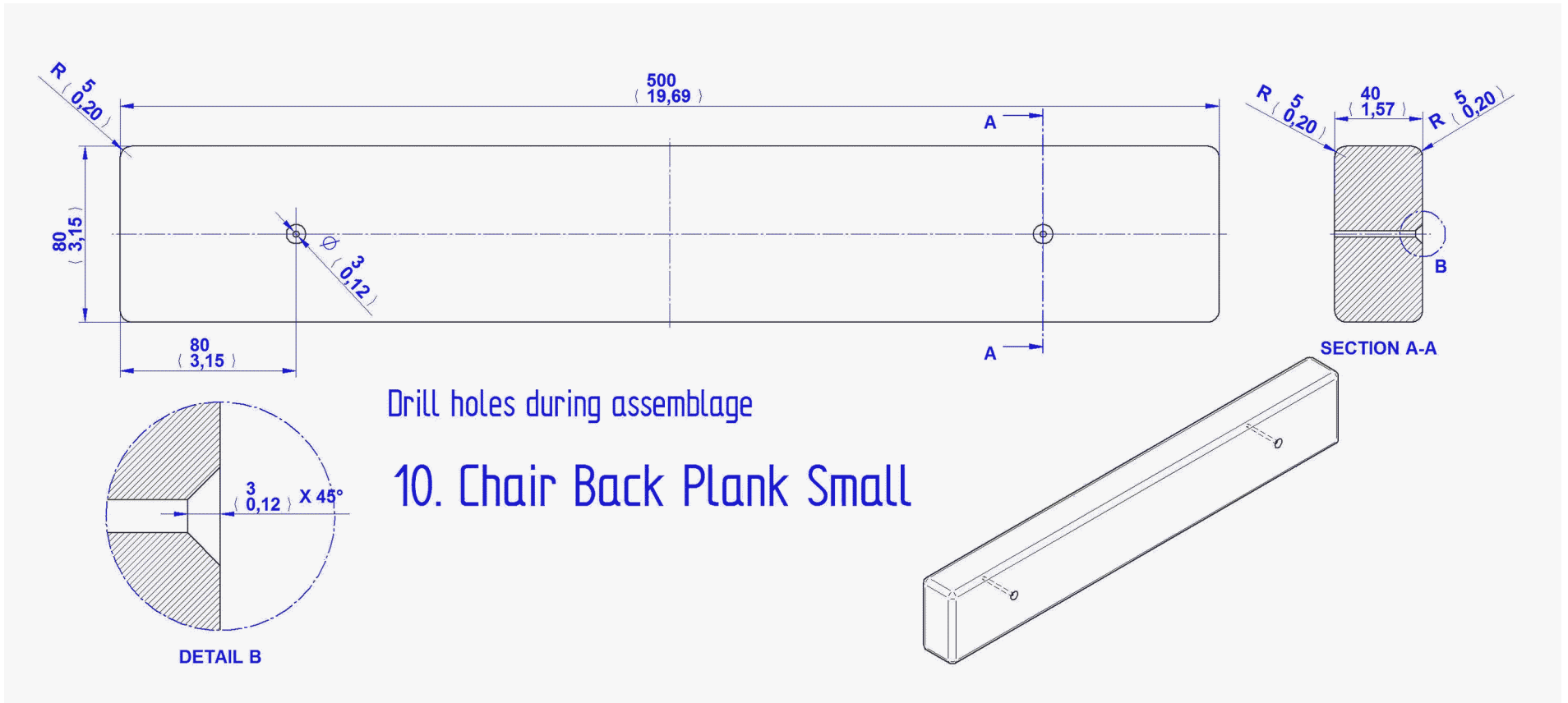
### 8. Chair Seat Plank 1



Drill holes during assemblage

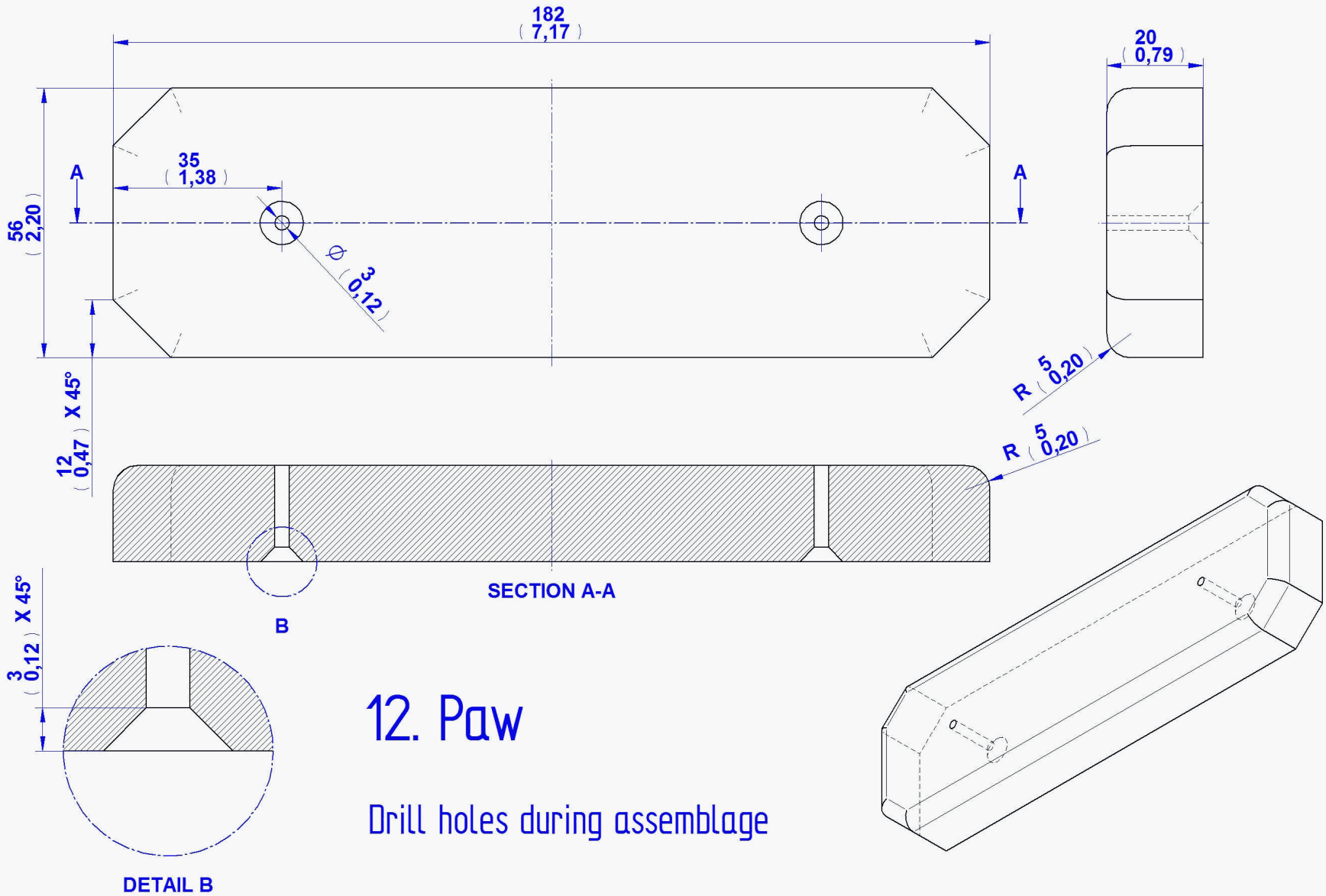
## 9. Chair Back Plank





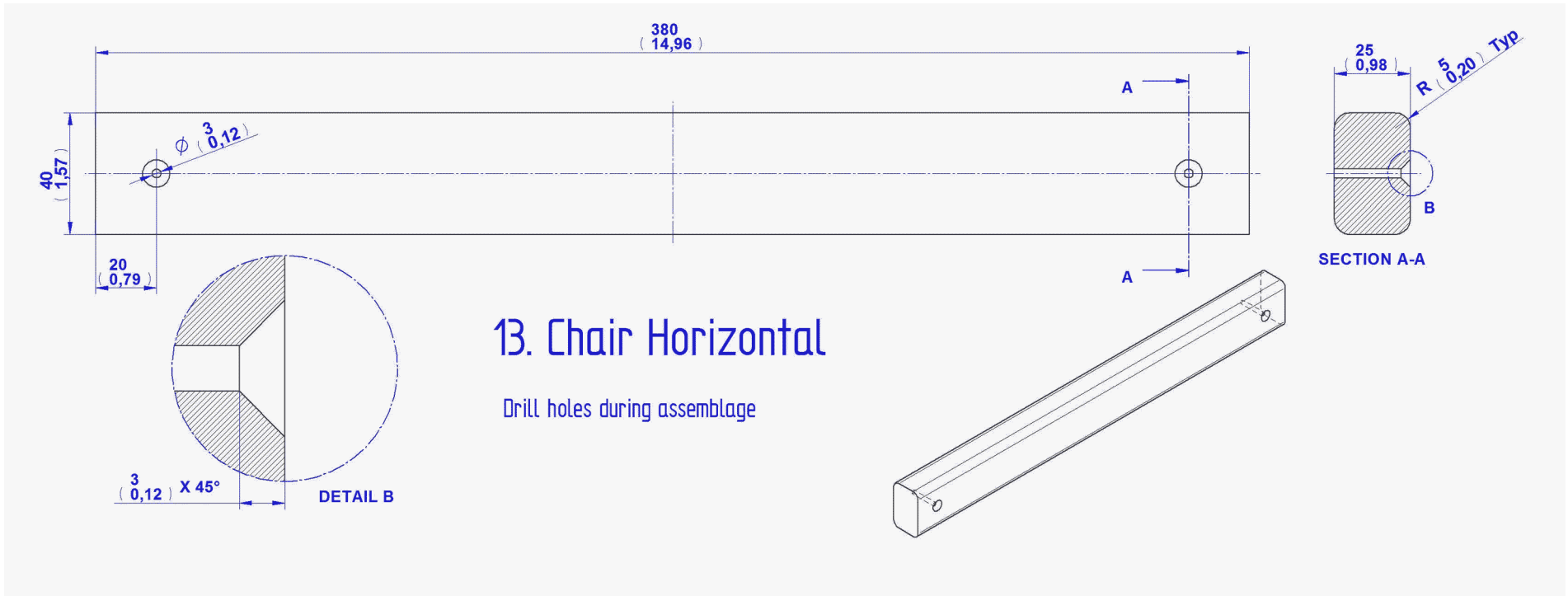
Drill holes during assemblage

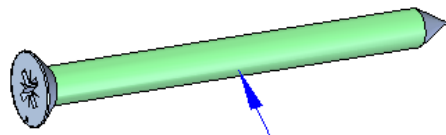
## 10. Chair Back Plank Small



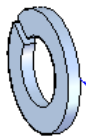
# 12. Paw

Drill holes during assemblage

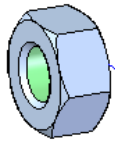




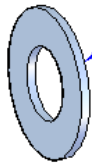
11. Wood Screw D4,5x70mm



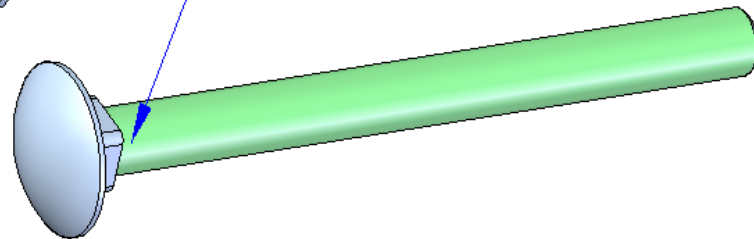
4. Lock Washer A8



5. Hexagon Nut M8



3. Washer 8

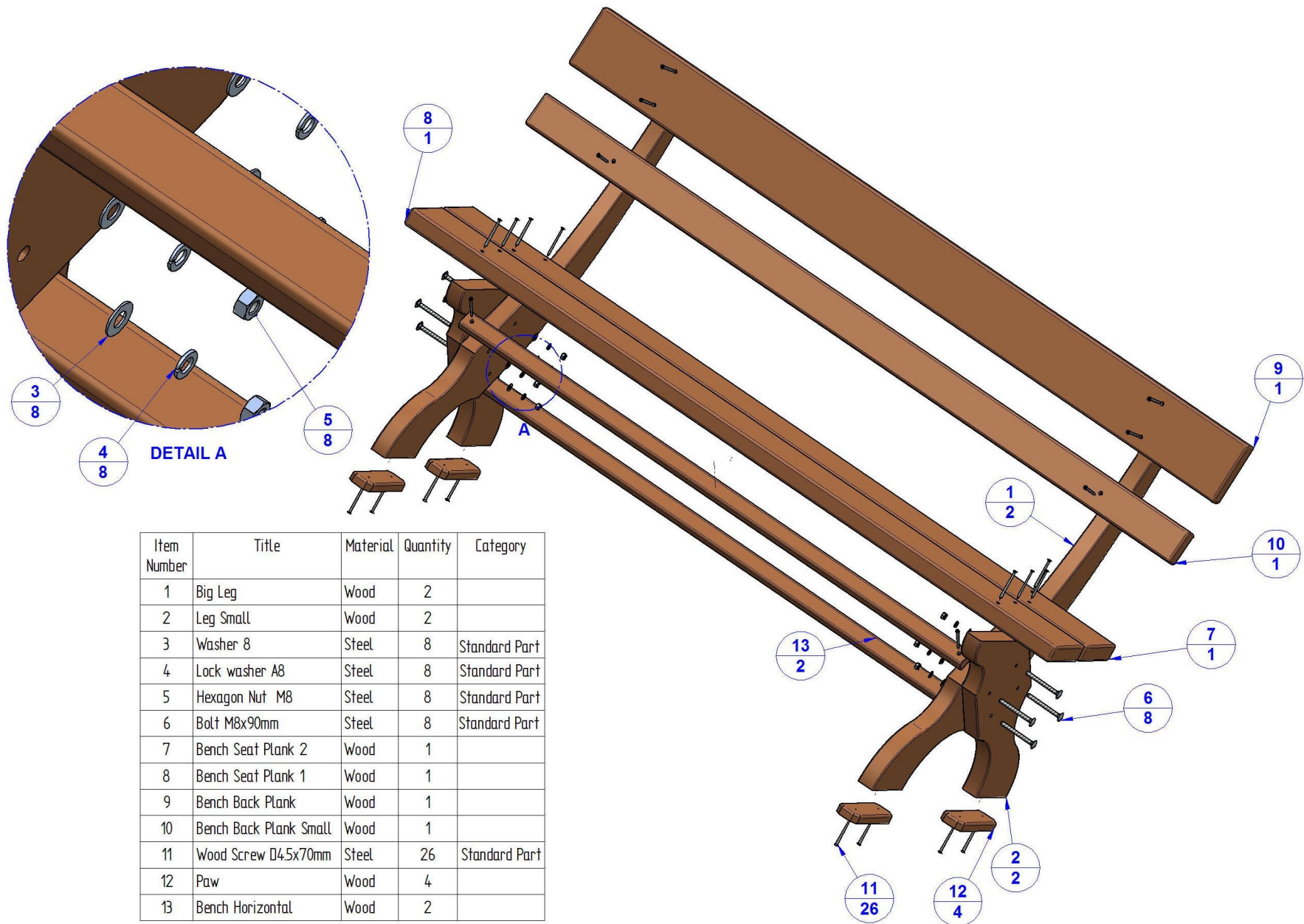


6. Bolt M8x90mm

# STANDARD PARTS

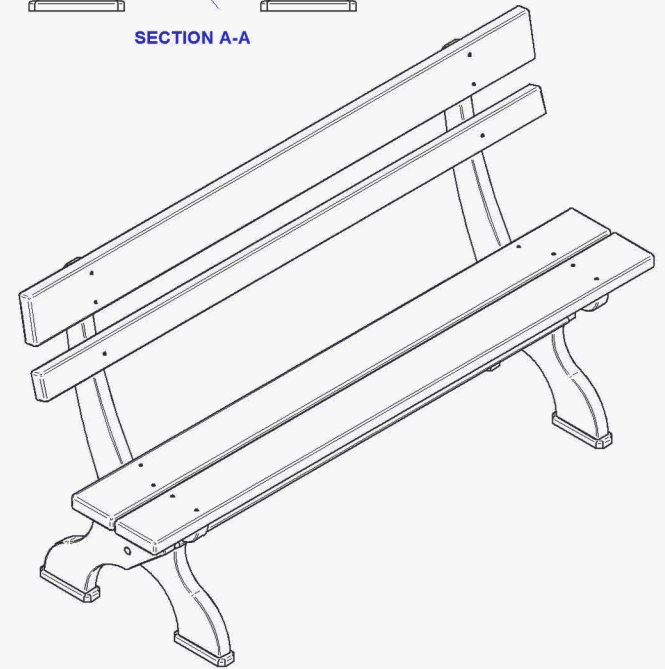
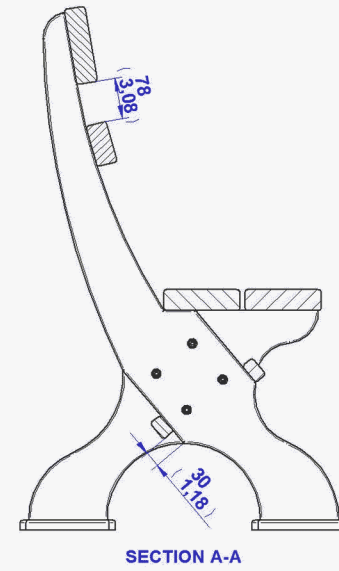
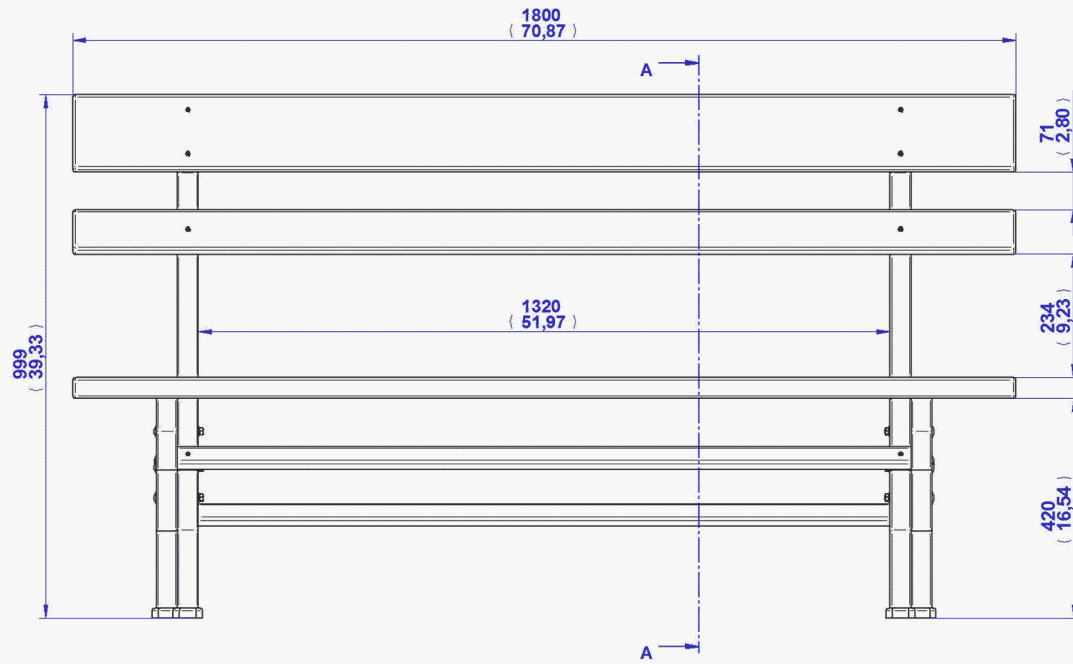


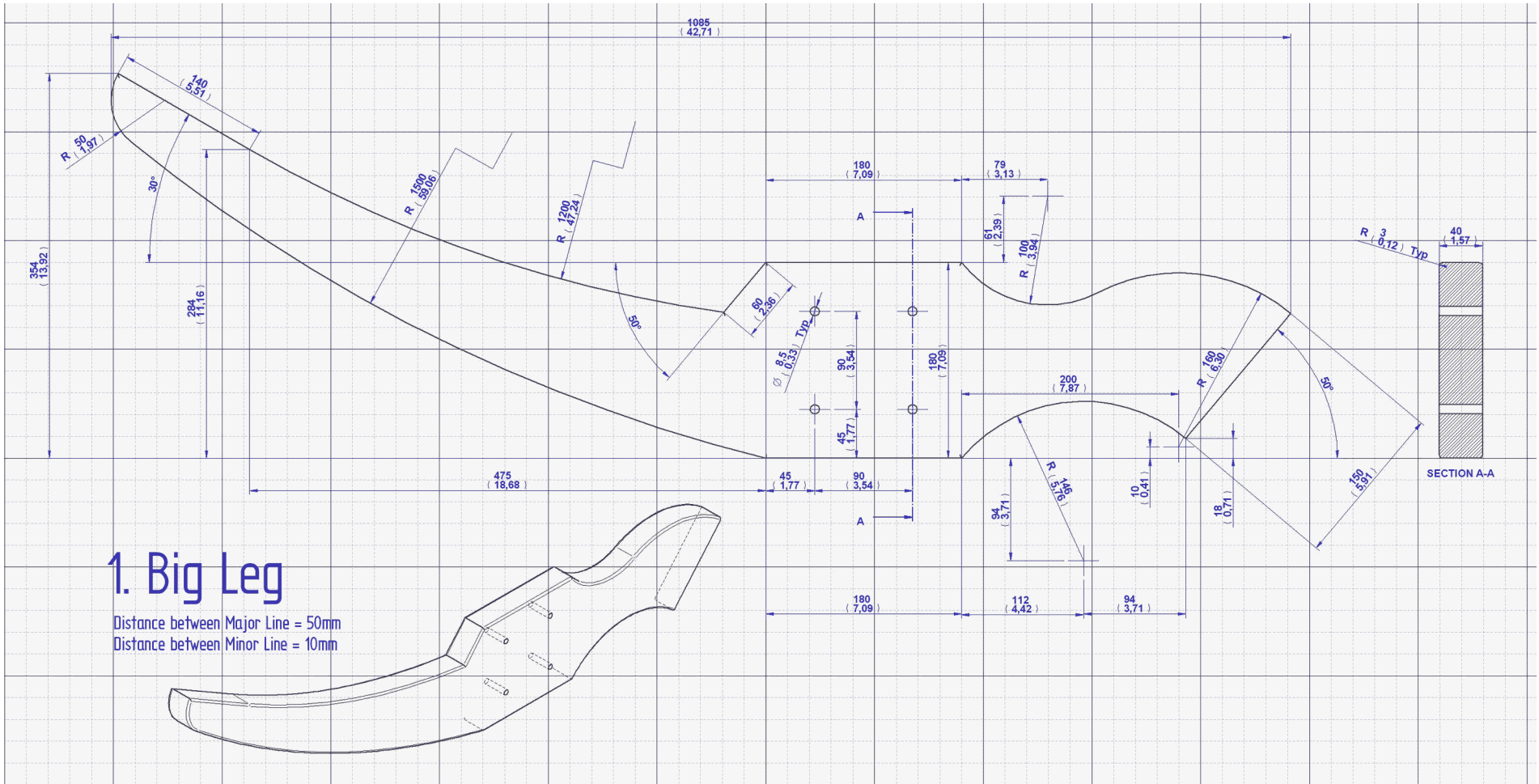
## Bench Parts List

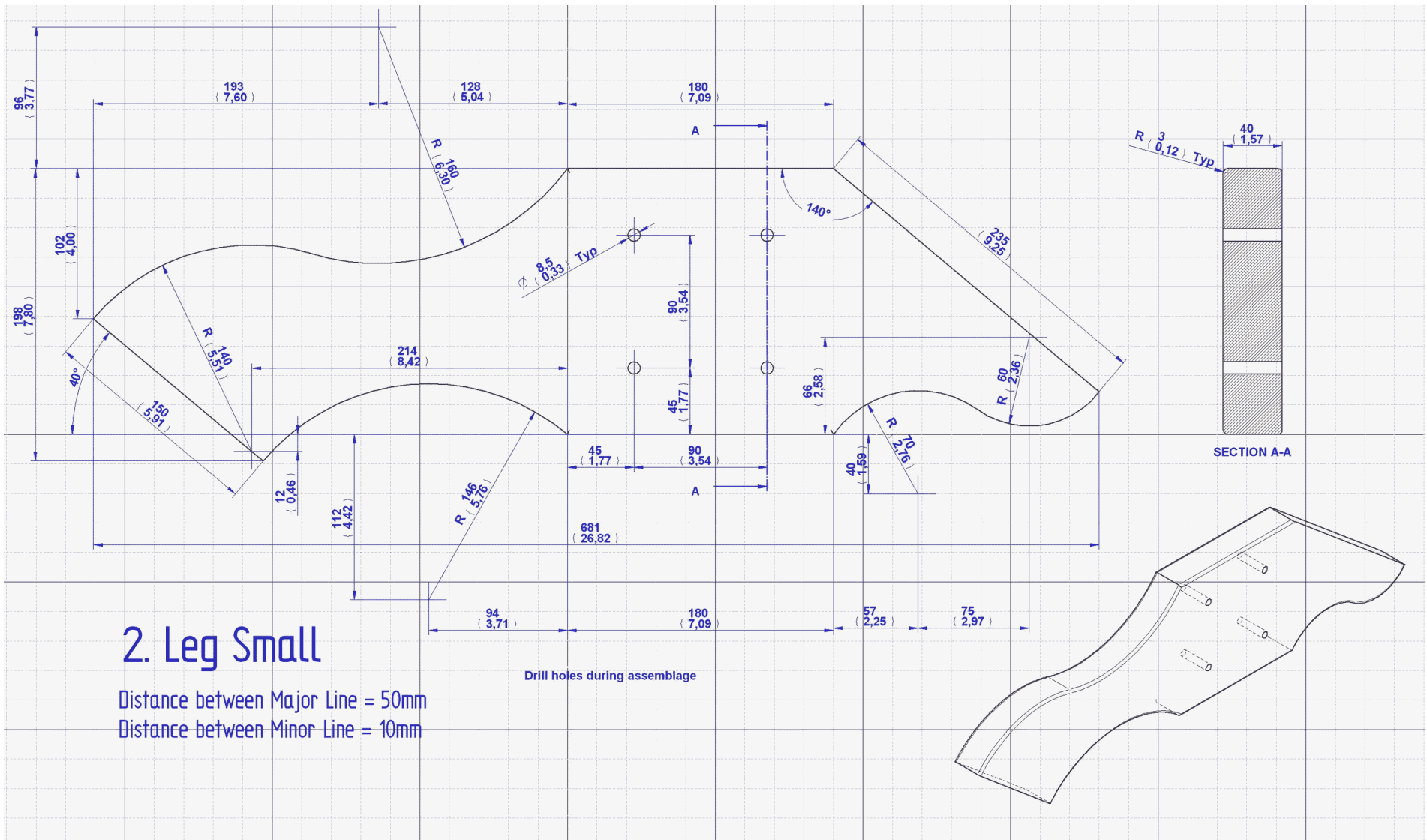


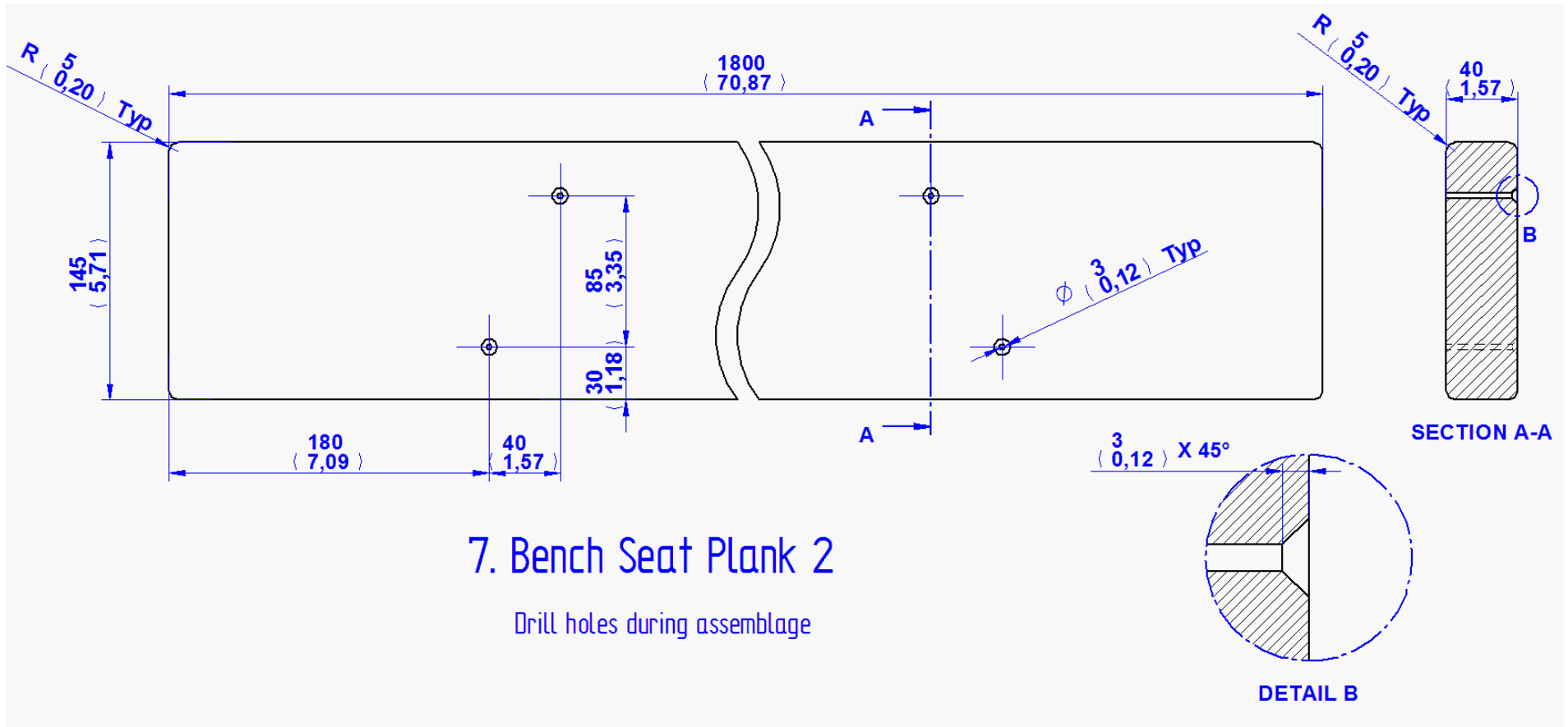
Item Number	Title	Material	Quantity	Category
1	Big Leg	Wood	2	
2	Leg Small	Wood	2	
3	Washer 8	Steel	8	Standard Part
4	Lock washer A8	Steel	8	Standard Part
5	Hexagon Nut M8	Steel	8	Standard Part
6	Bolt M8x90mm	Steel	8	Standard Part
7	Bench Seat Plank 2	Wood	1	
8	Bench Seat Plank 1	Wood	1	
9	Bench Back Plank	Wood	1	
10	Bench Back Plank Small	Wood	1	
11	Wood Screw D4.5x70mm	Steel	26	Standard Part
12	Pawl	Wood	4	
13	Bench Horizontal	Wood	2	

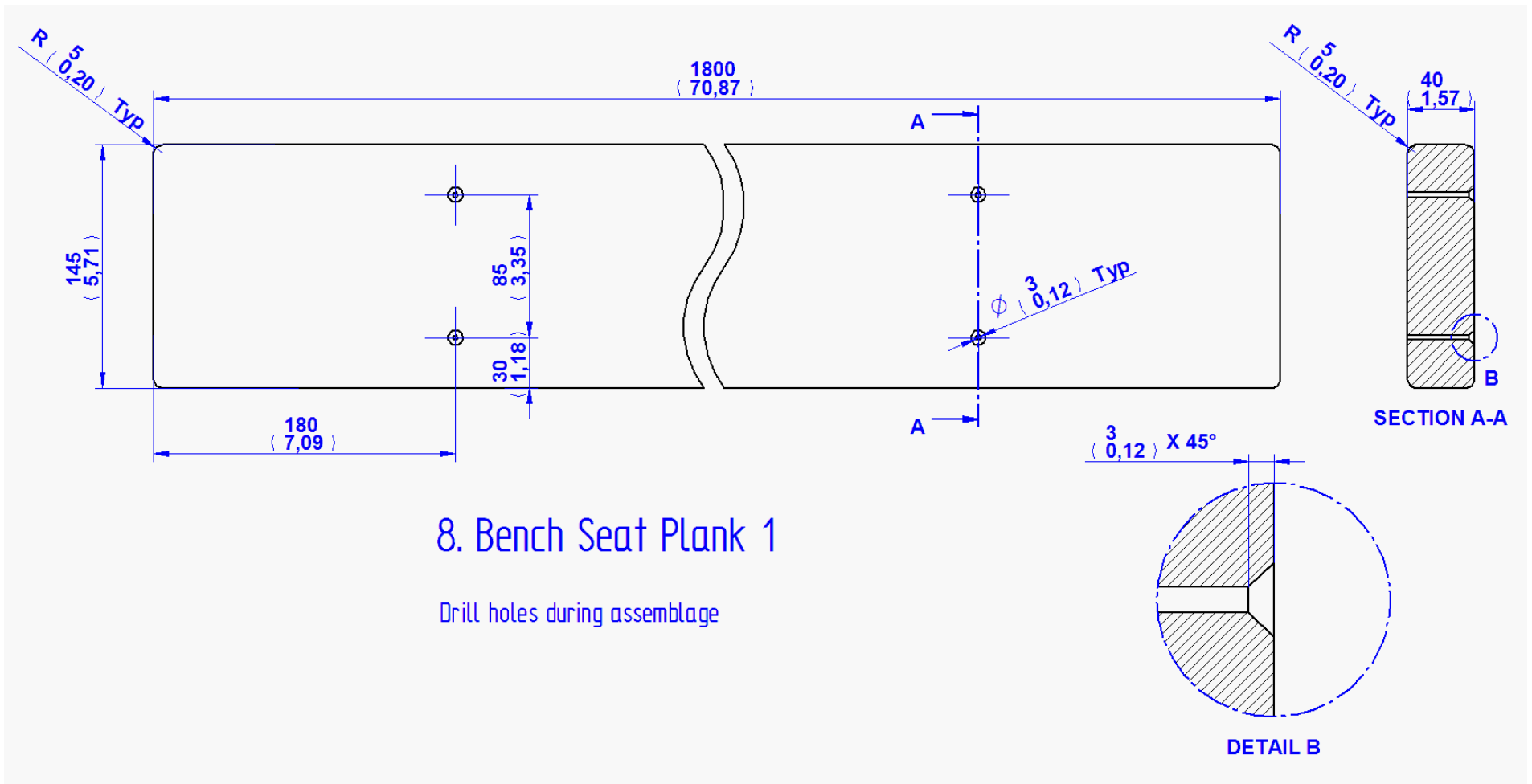
## Bench 2D Documentation

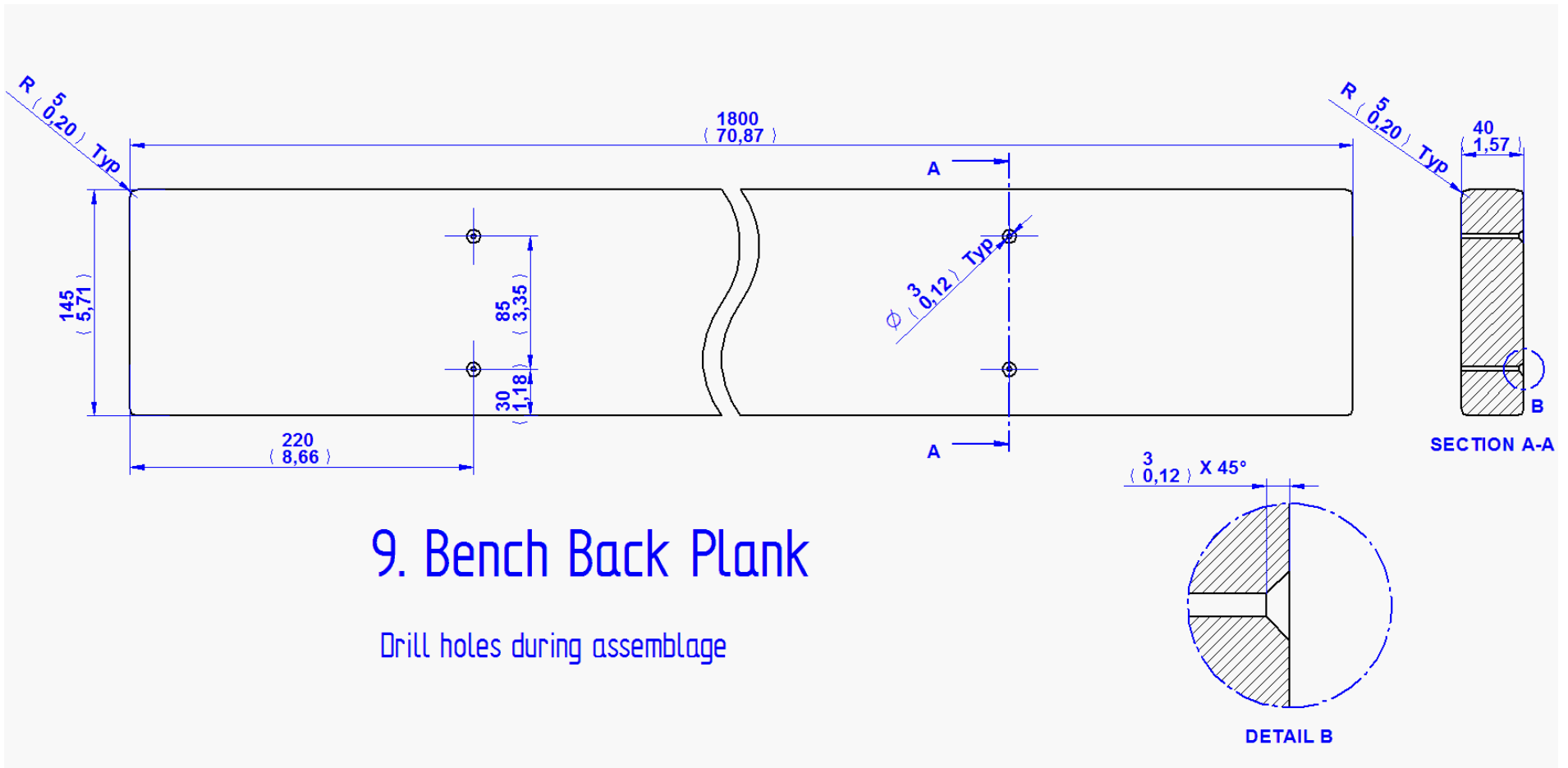


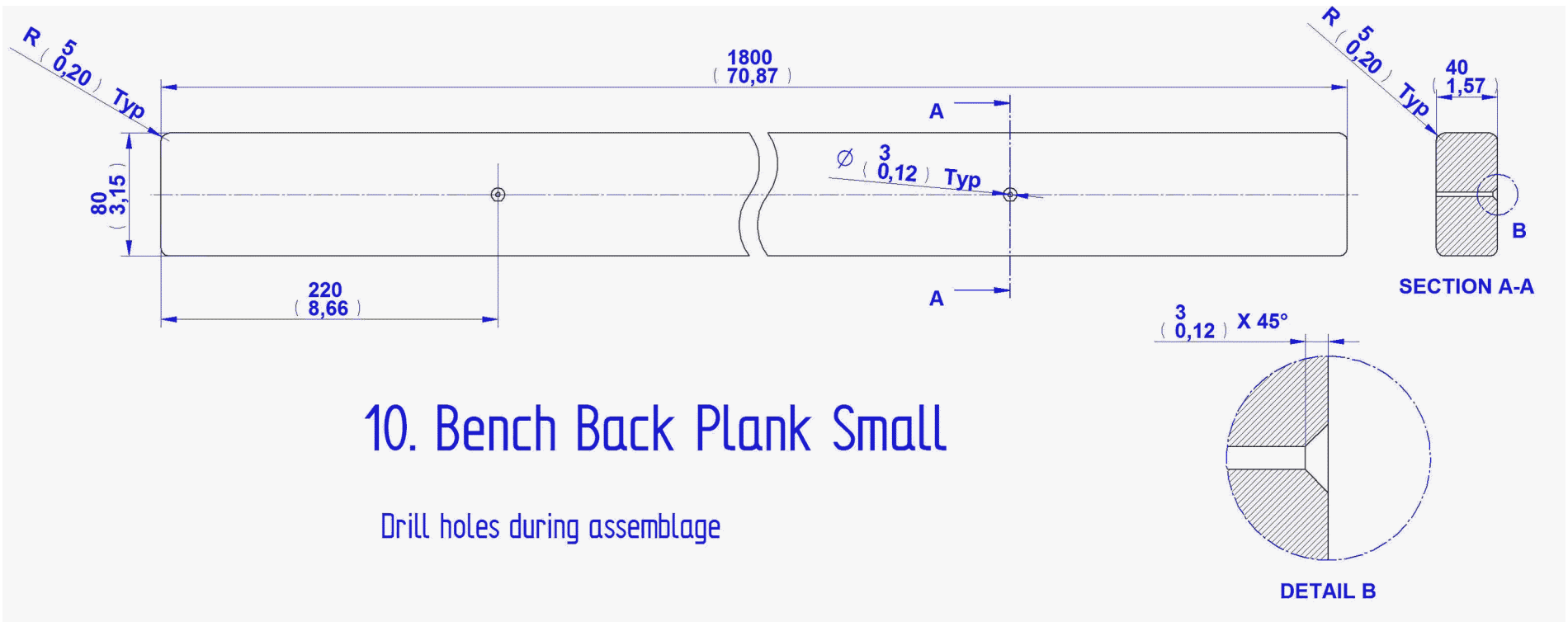








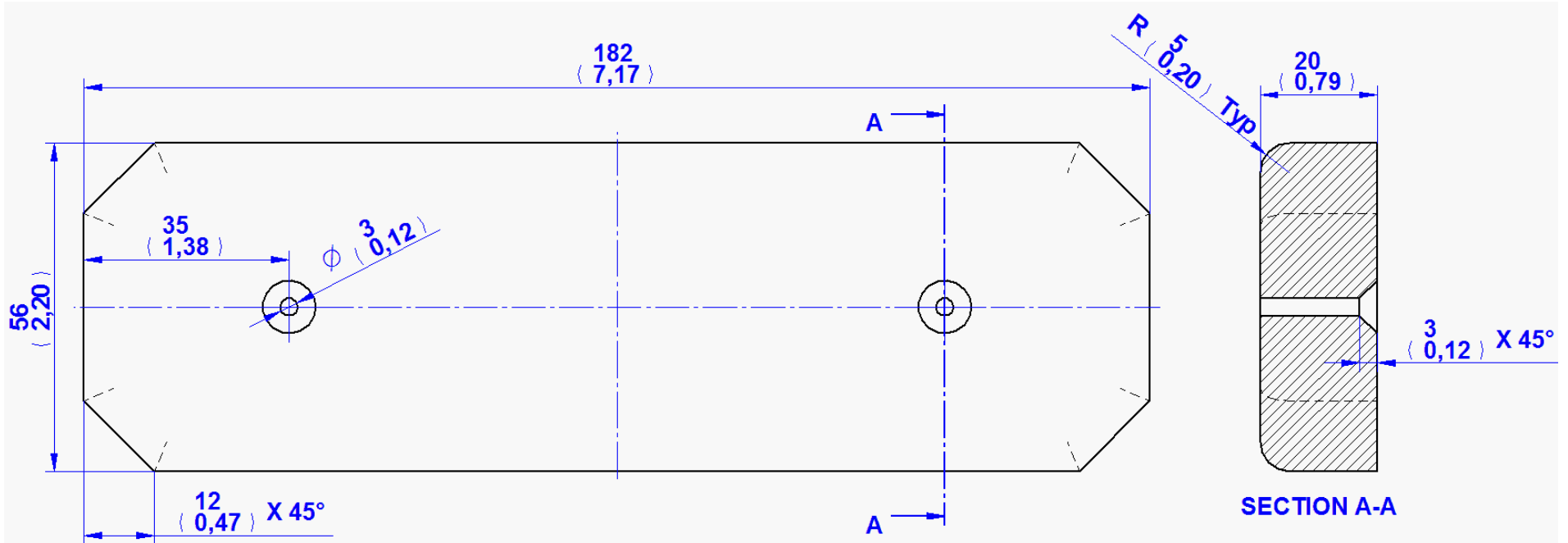




# 10. Bench Back Plank Small

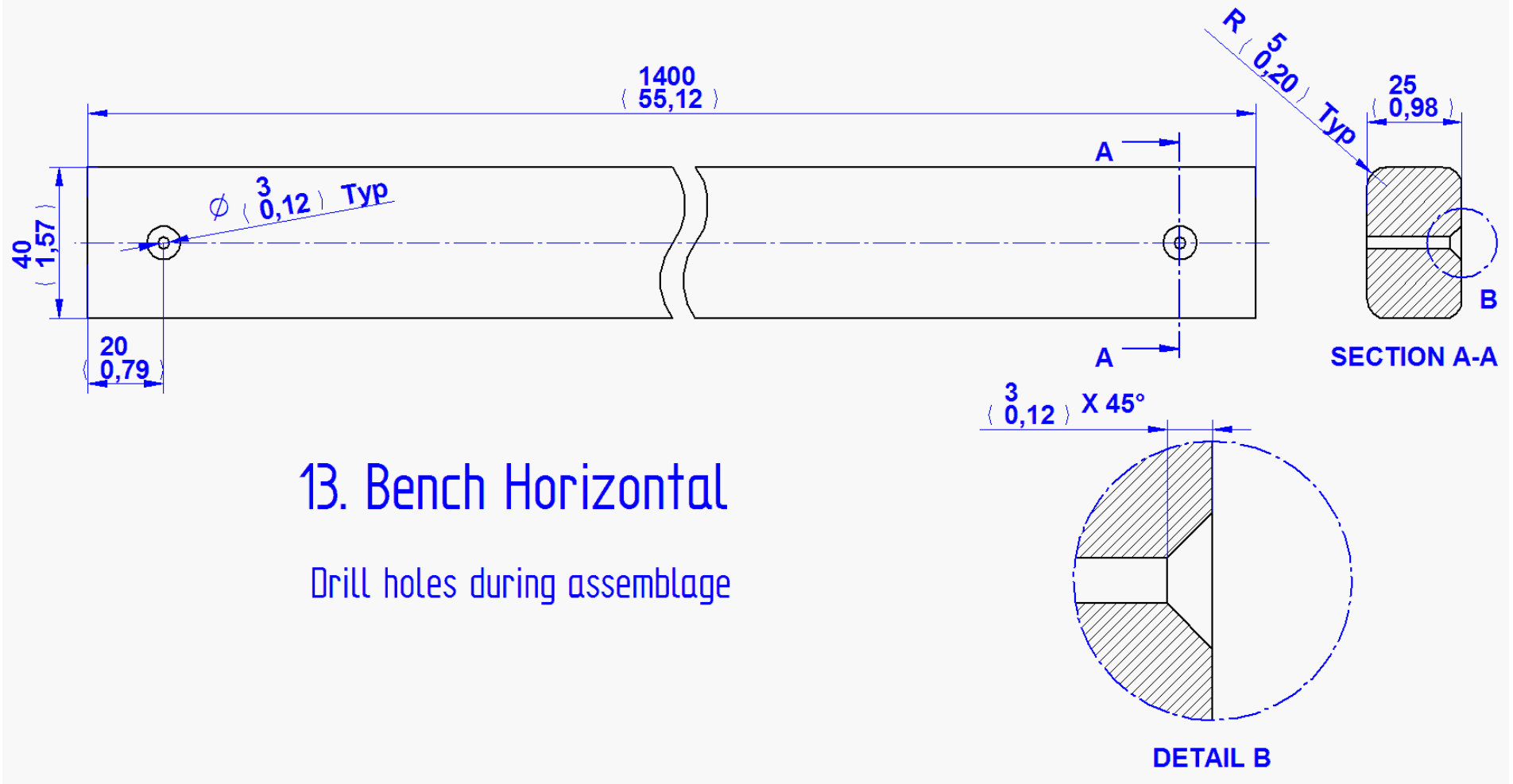
Drill holes during assemblage

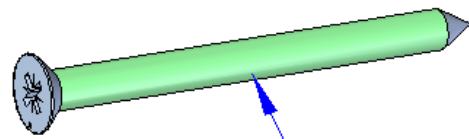




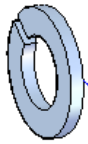
## 12. Paw

Drill holes during assemblage

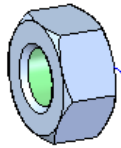




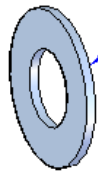
11. Wood Screw D4,5x70mm



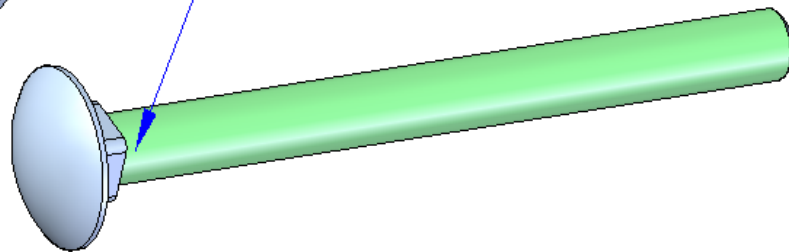
4. Lock Washer A8



5. Hexagon Nut M8



3. Washer 8

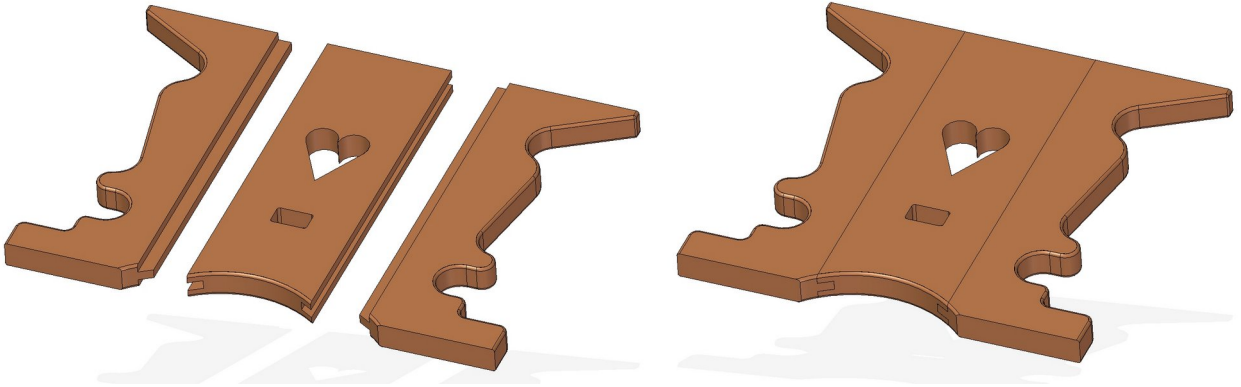


6. Bolt M8x90mm

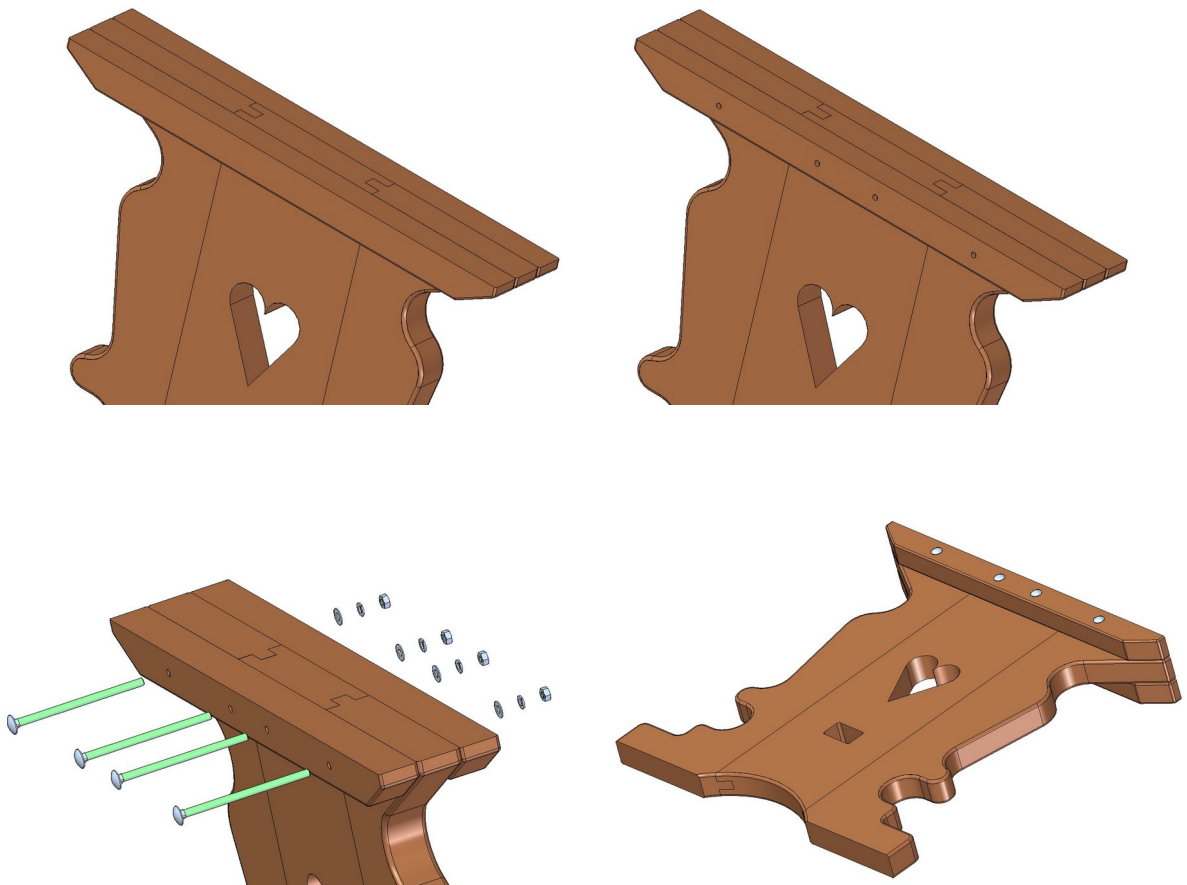
# STANDARD PARTS

## Table assemblage images

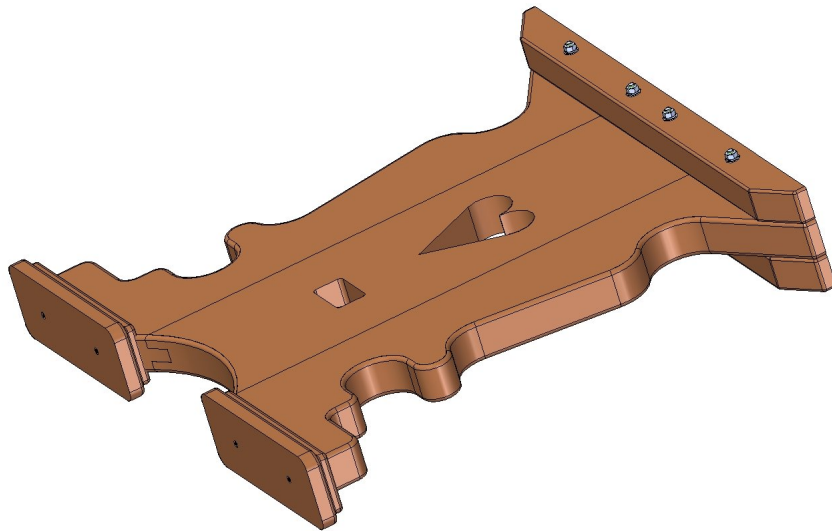
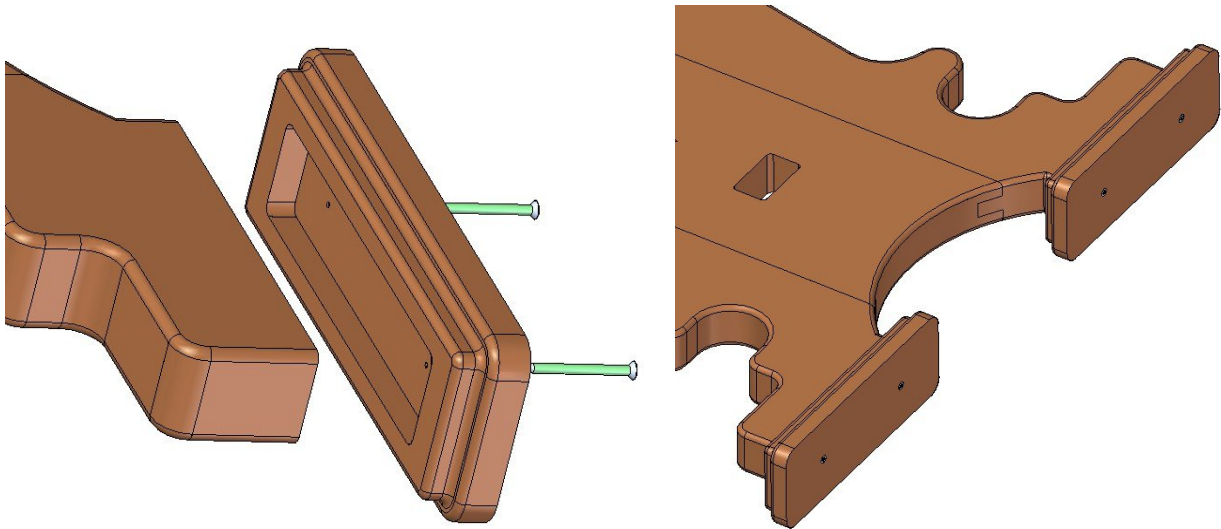
1.



2.



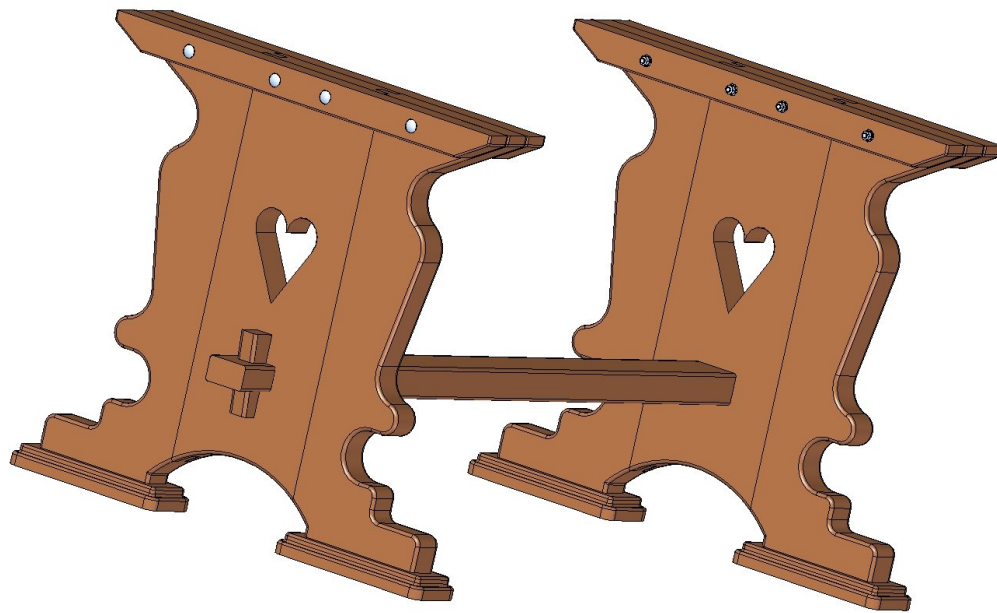
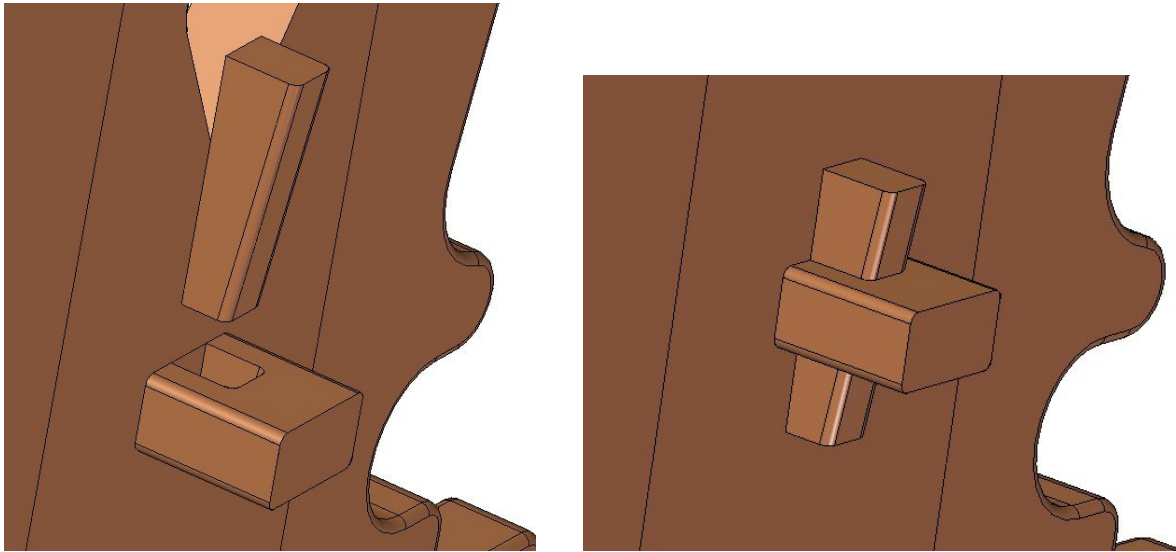
3.



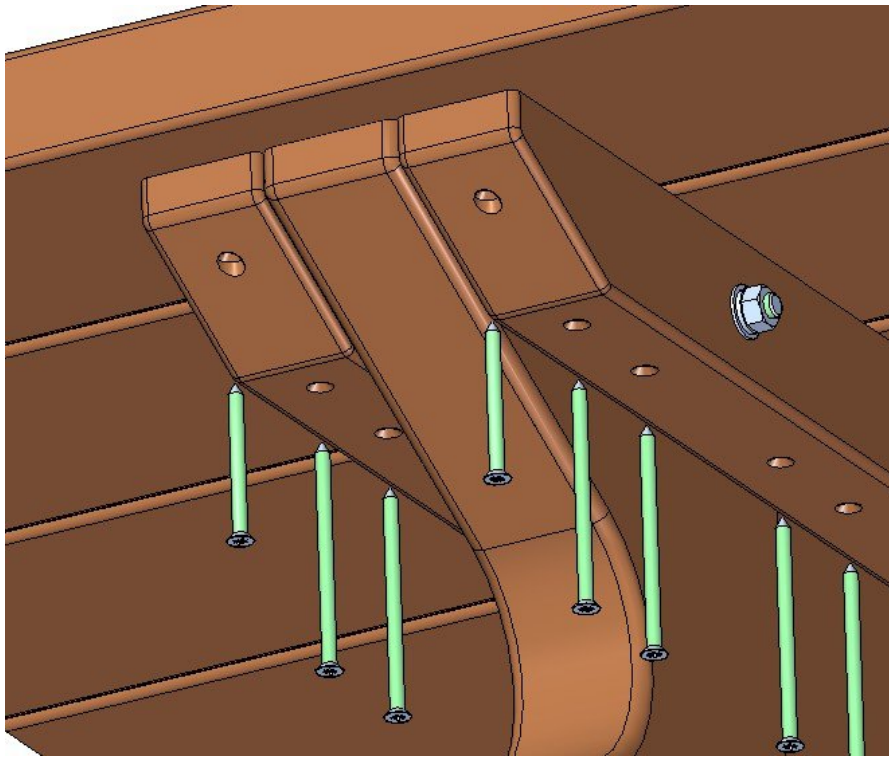
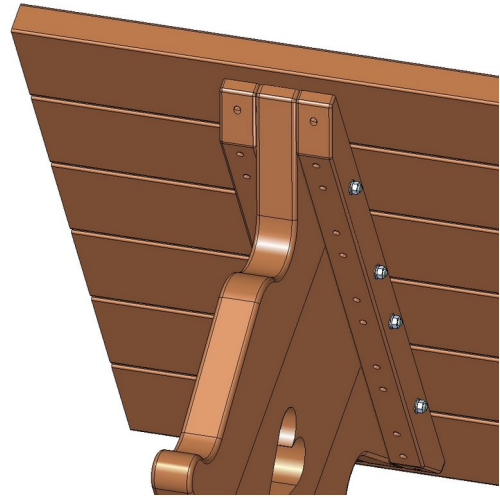
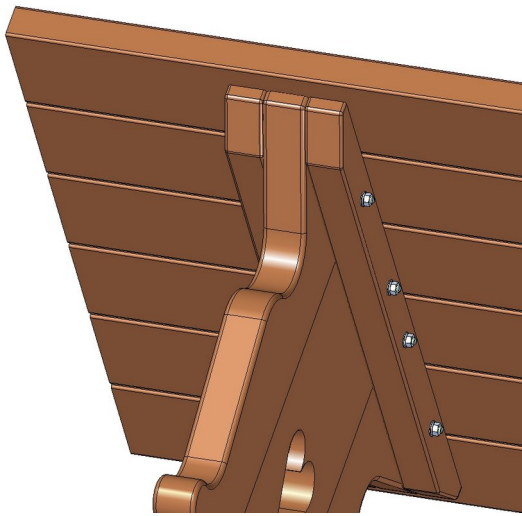
4.

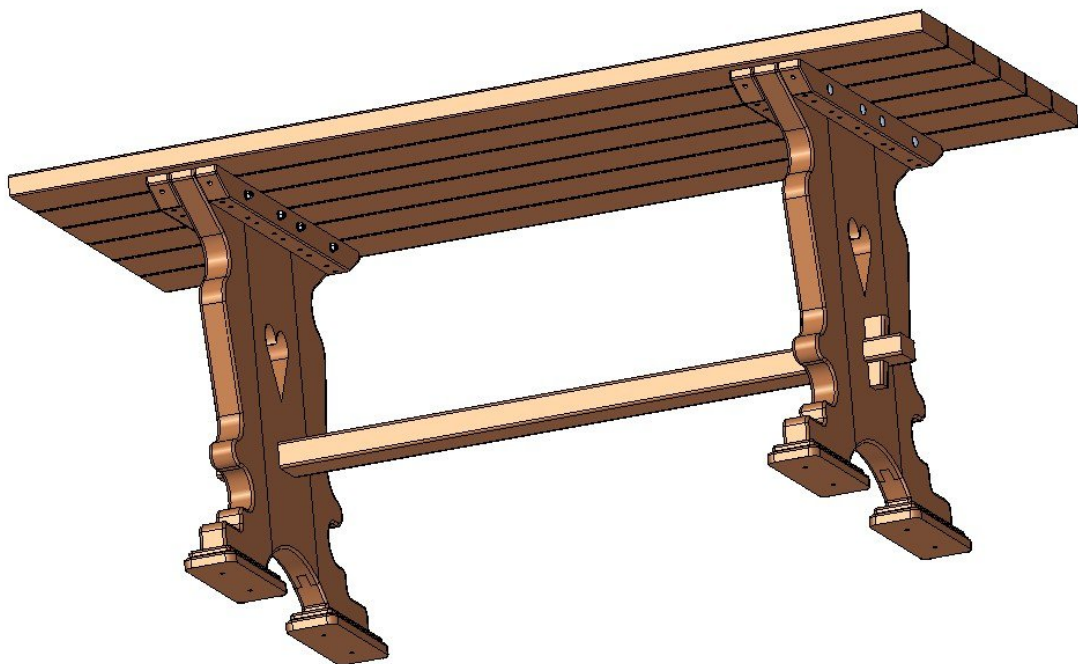
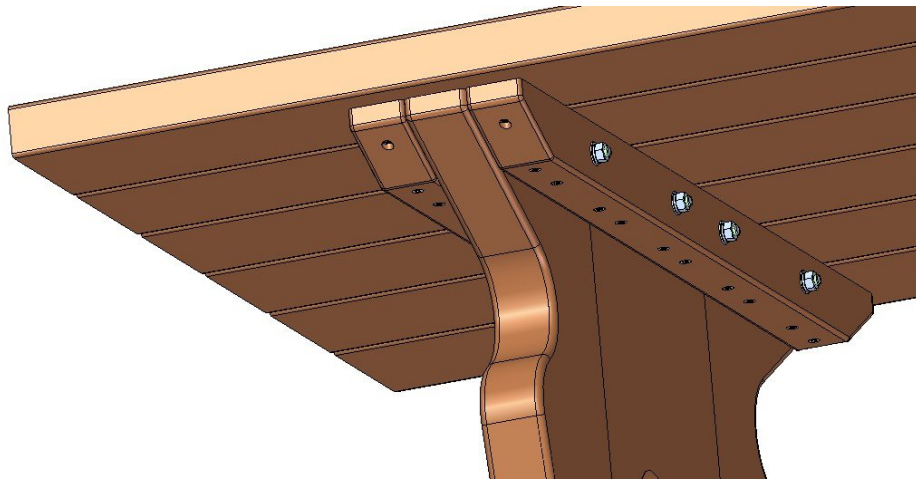
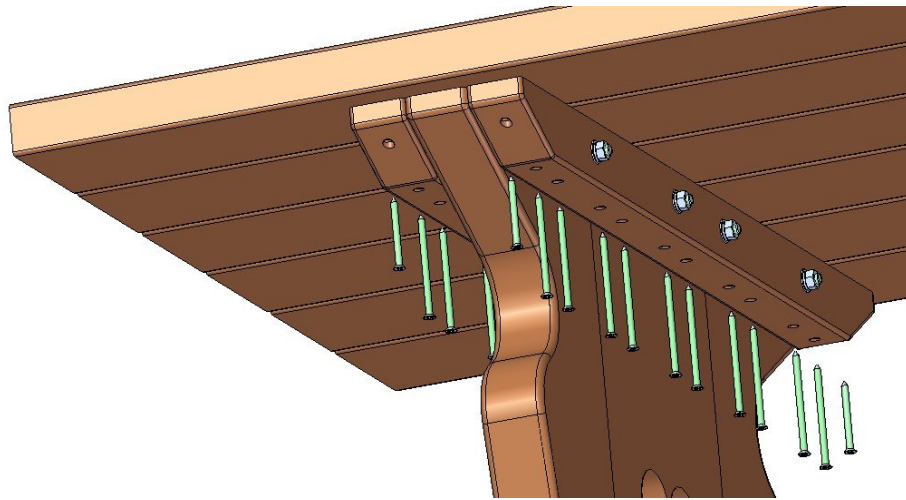


5.



6.

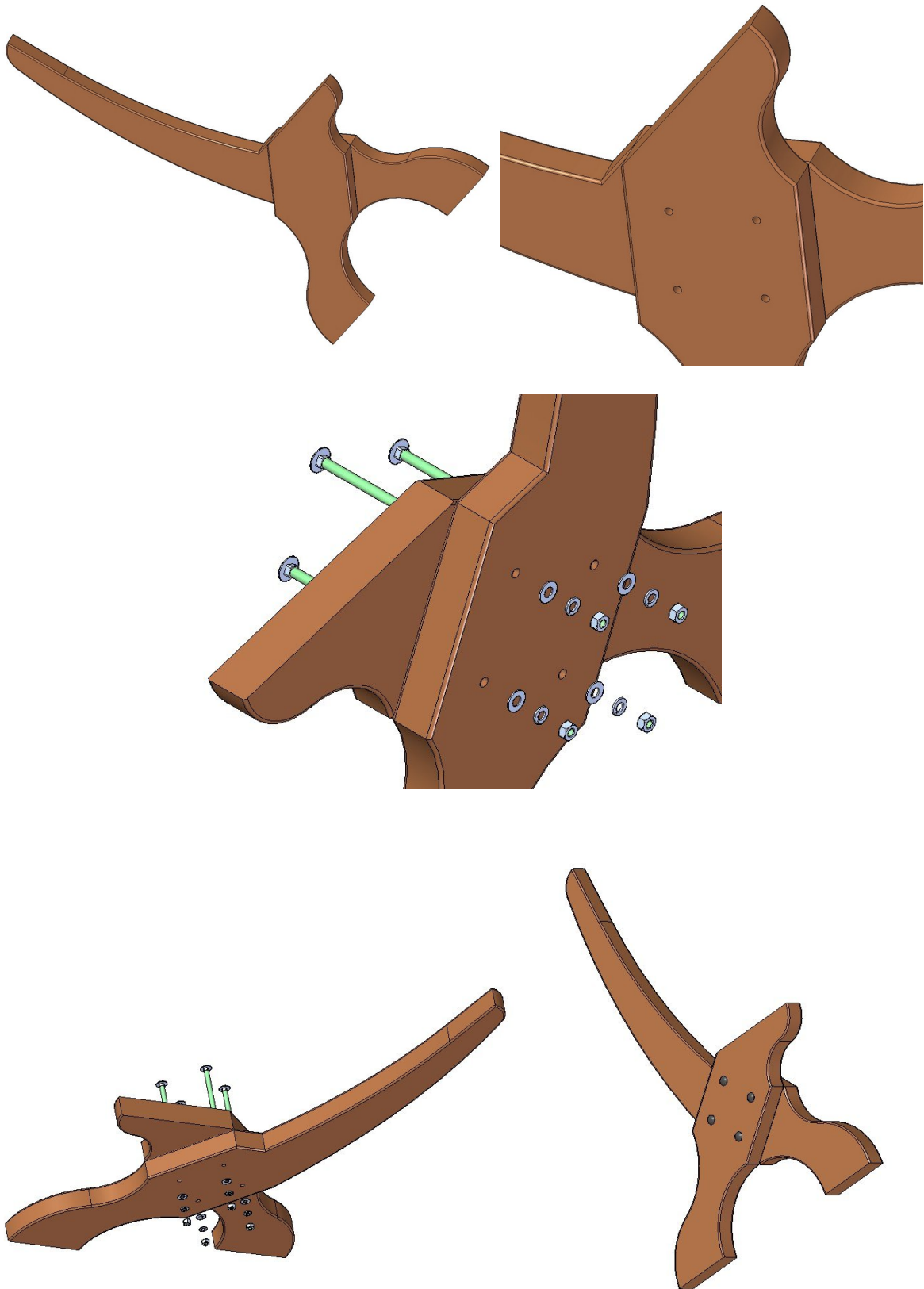




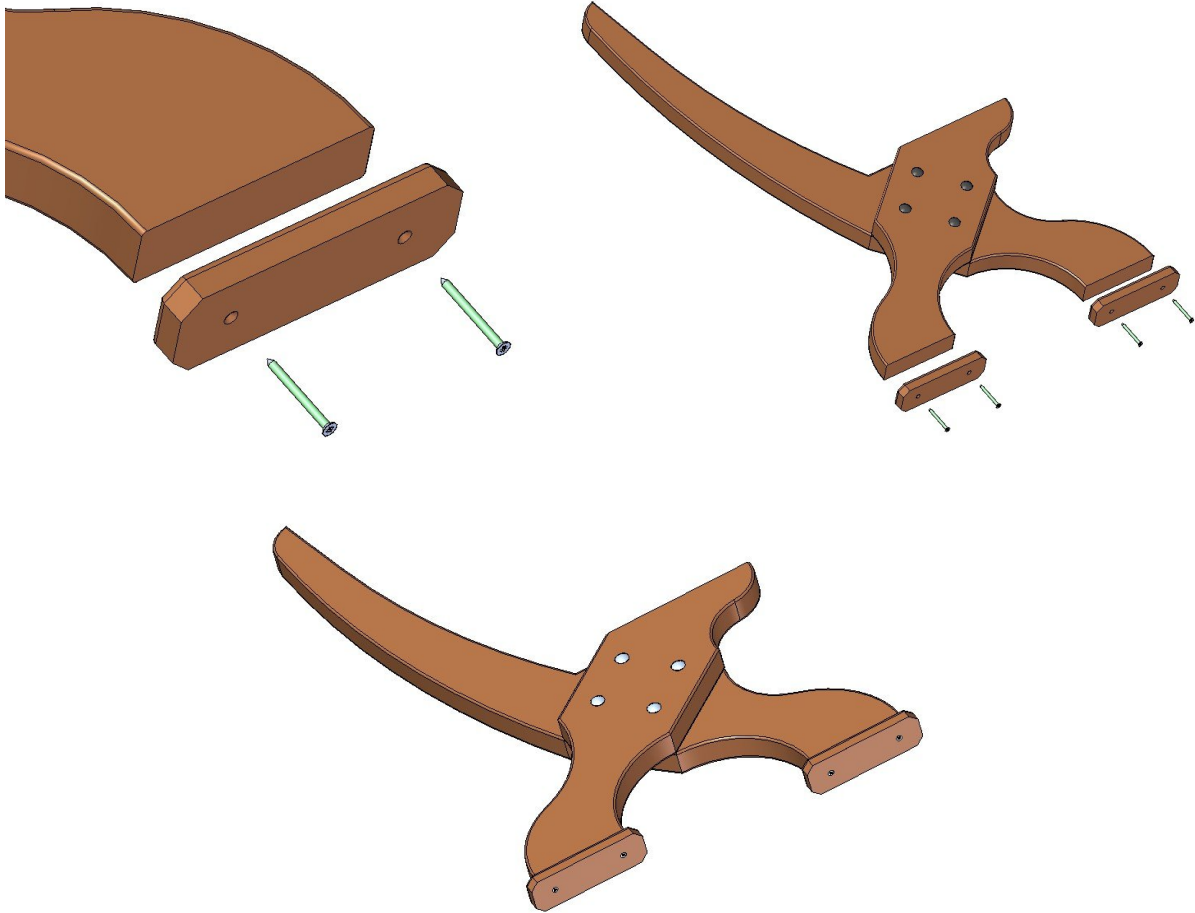


## Chair And bench assemblage images

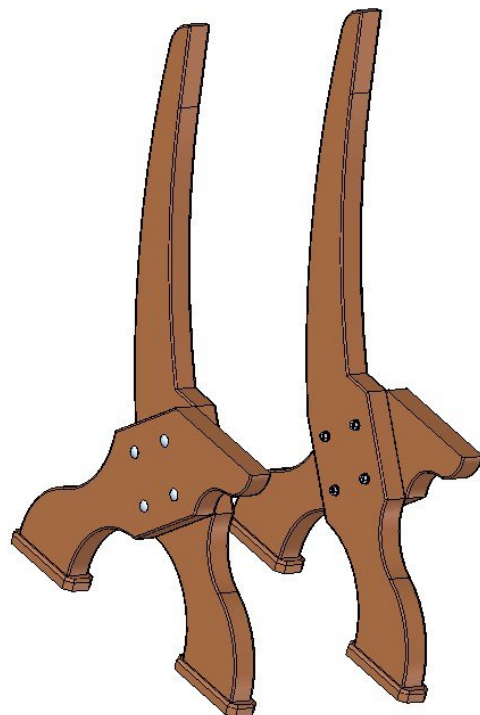
1.



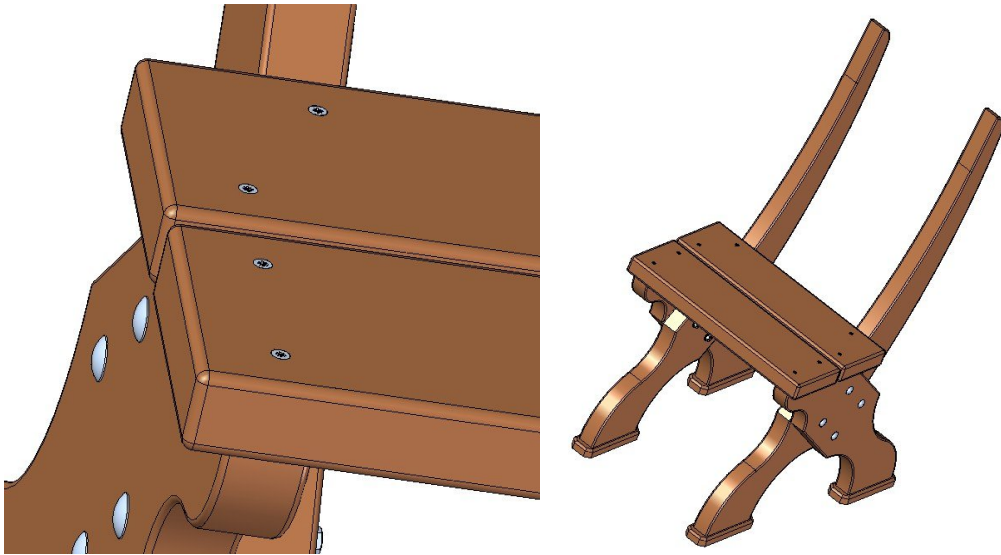
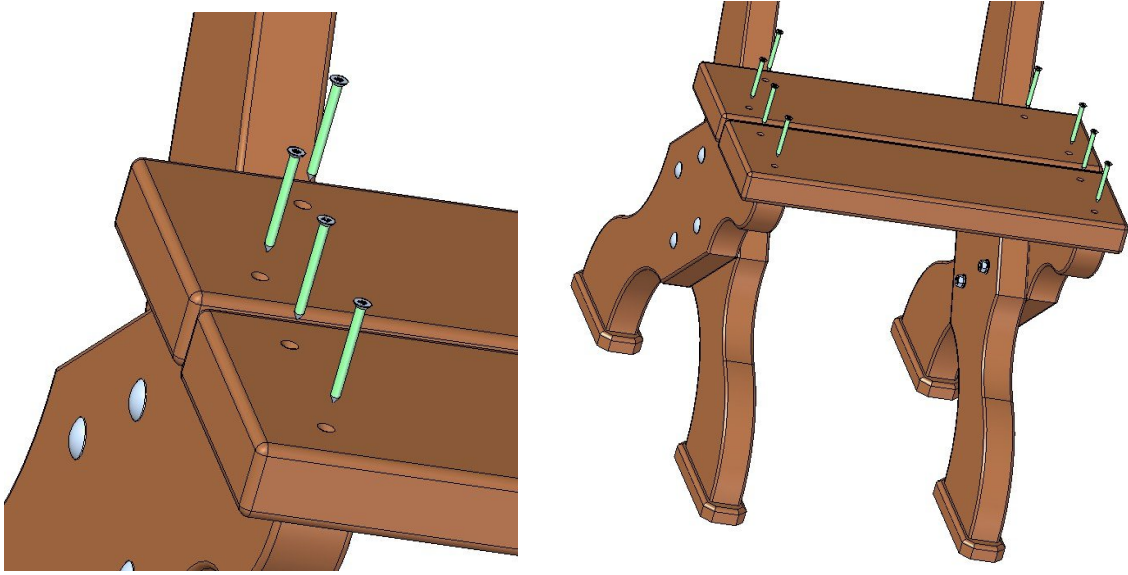
2.



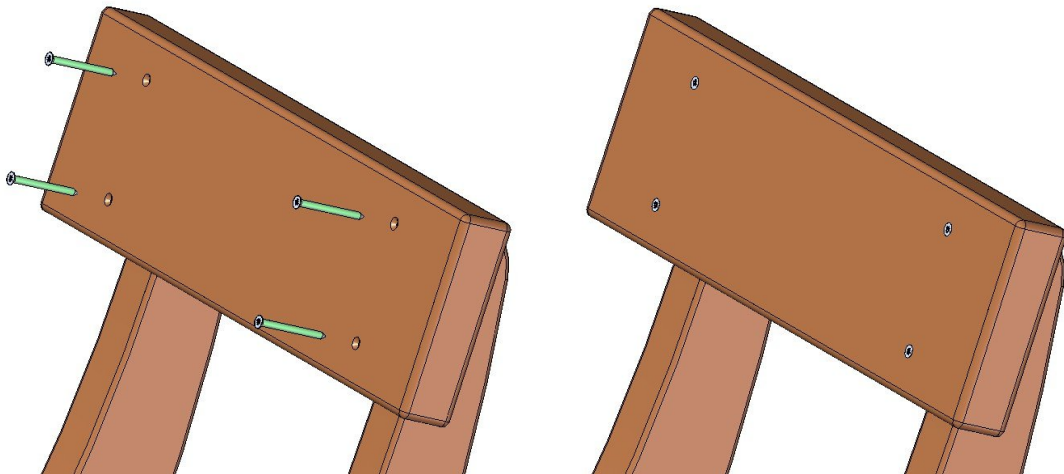
3.



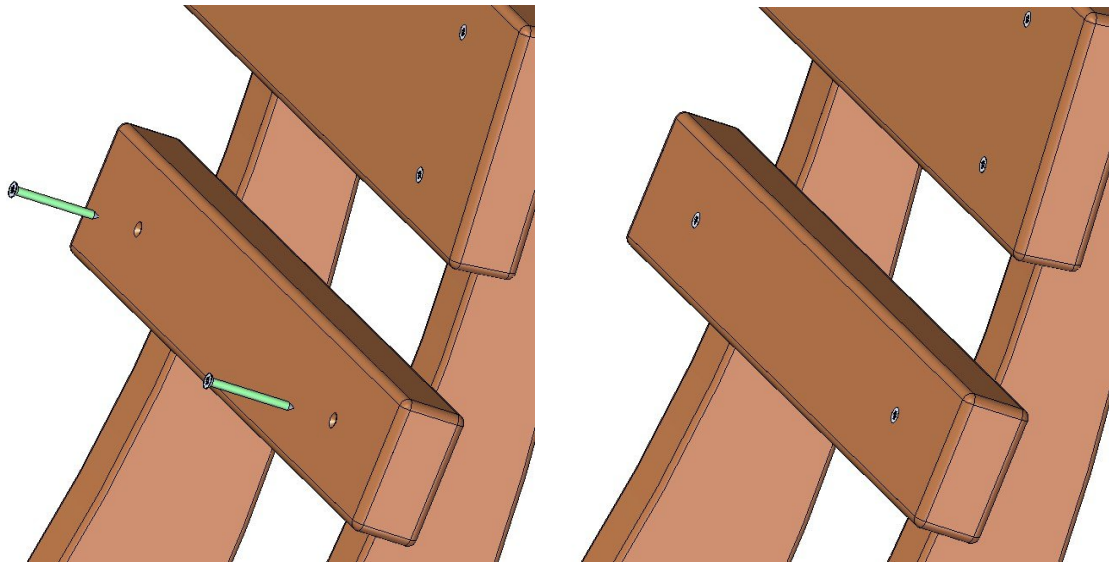
4.



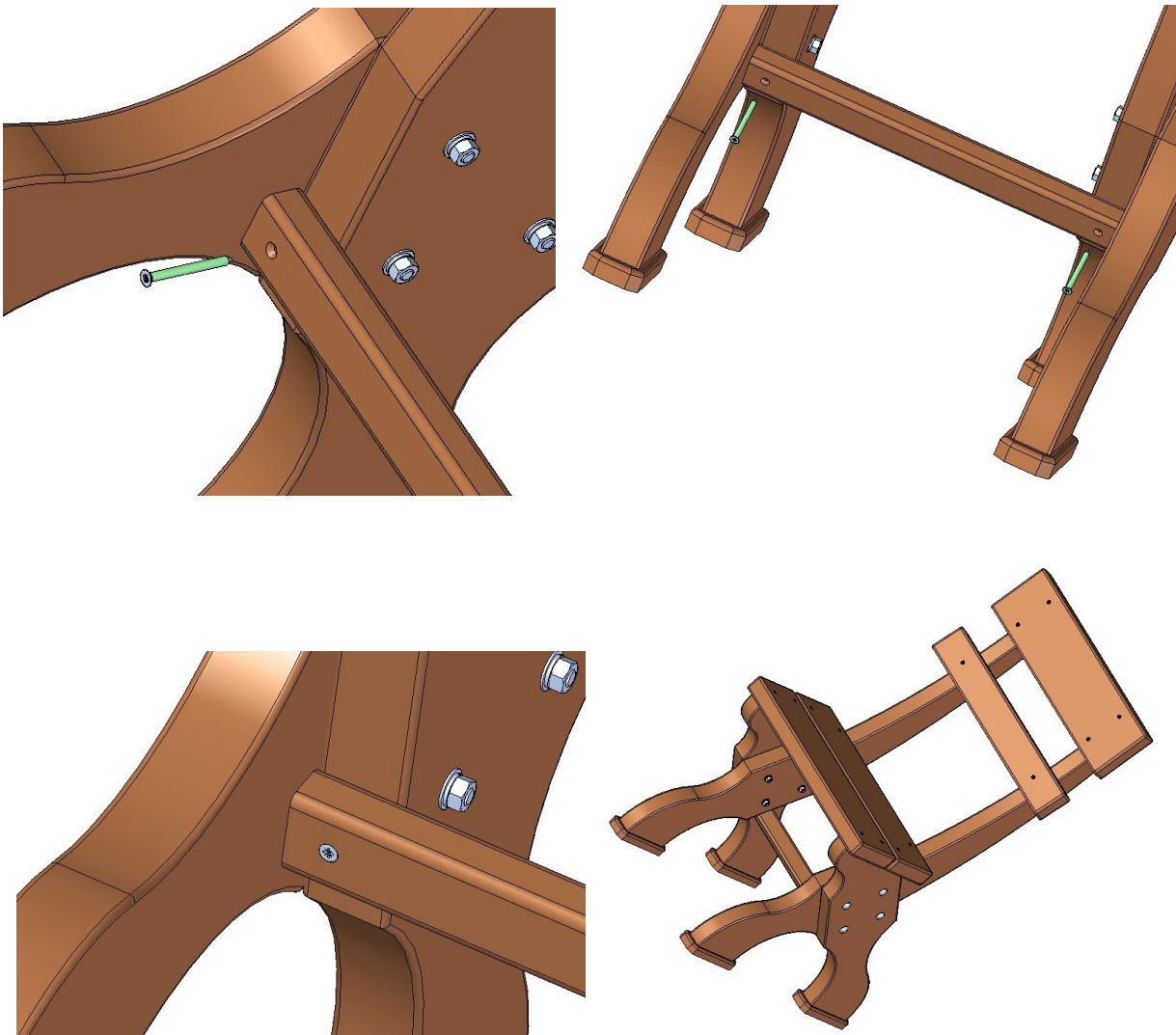
5.

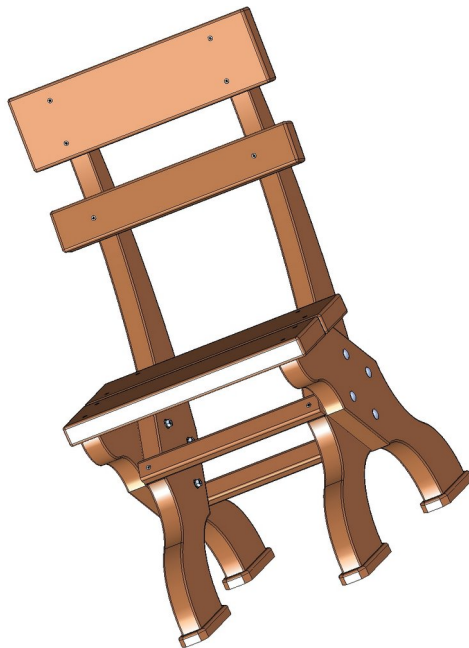
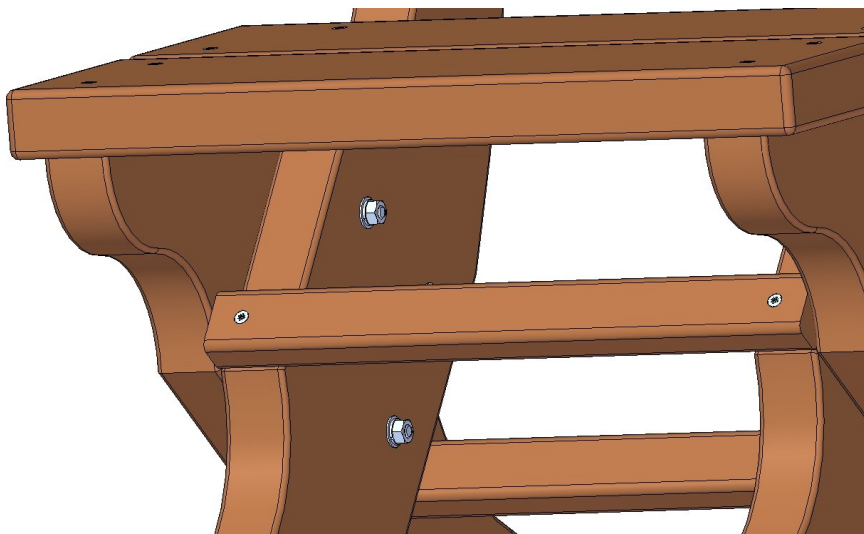
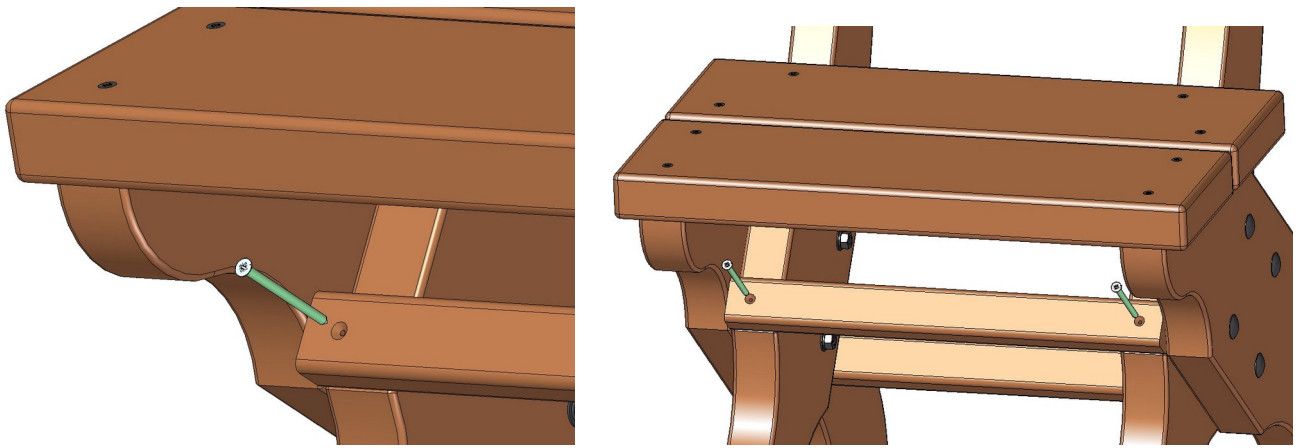


6.



7.





Follow exactly the same instructions to assemble the Bench.