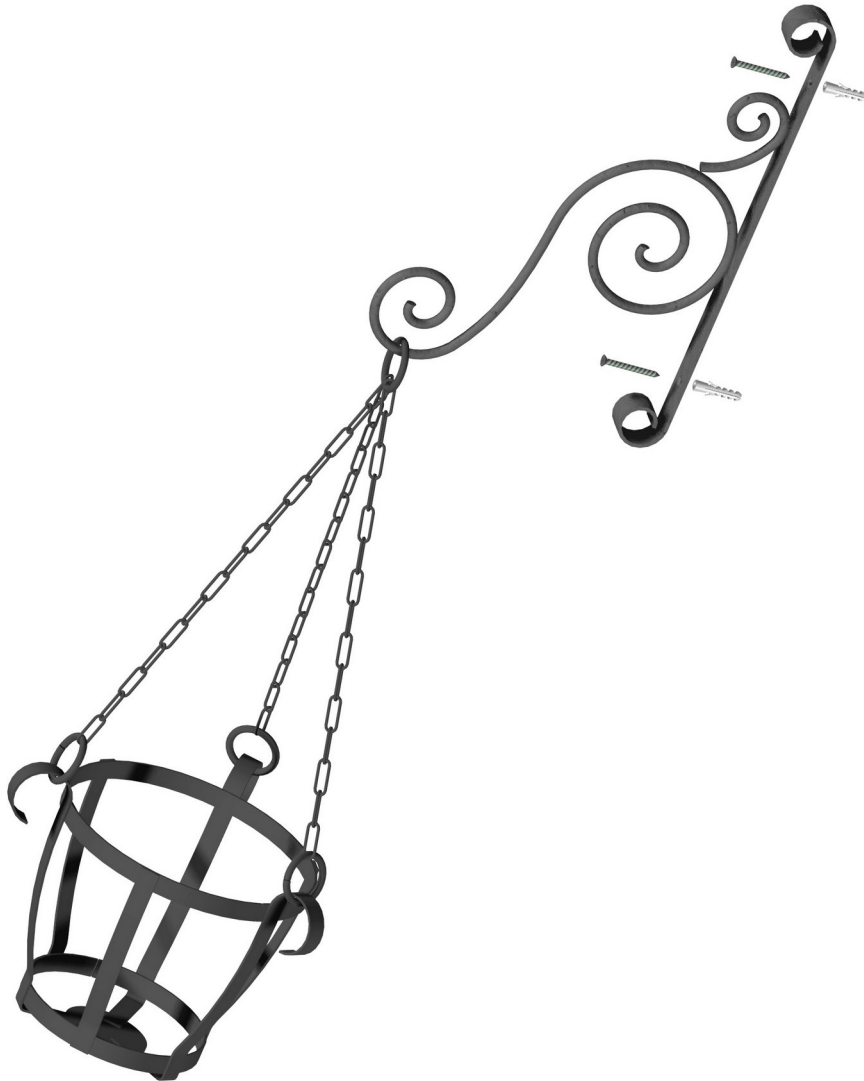


Bracket with plant basket plan



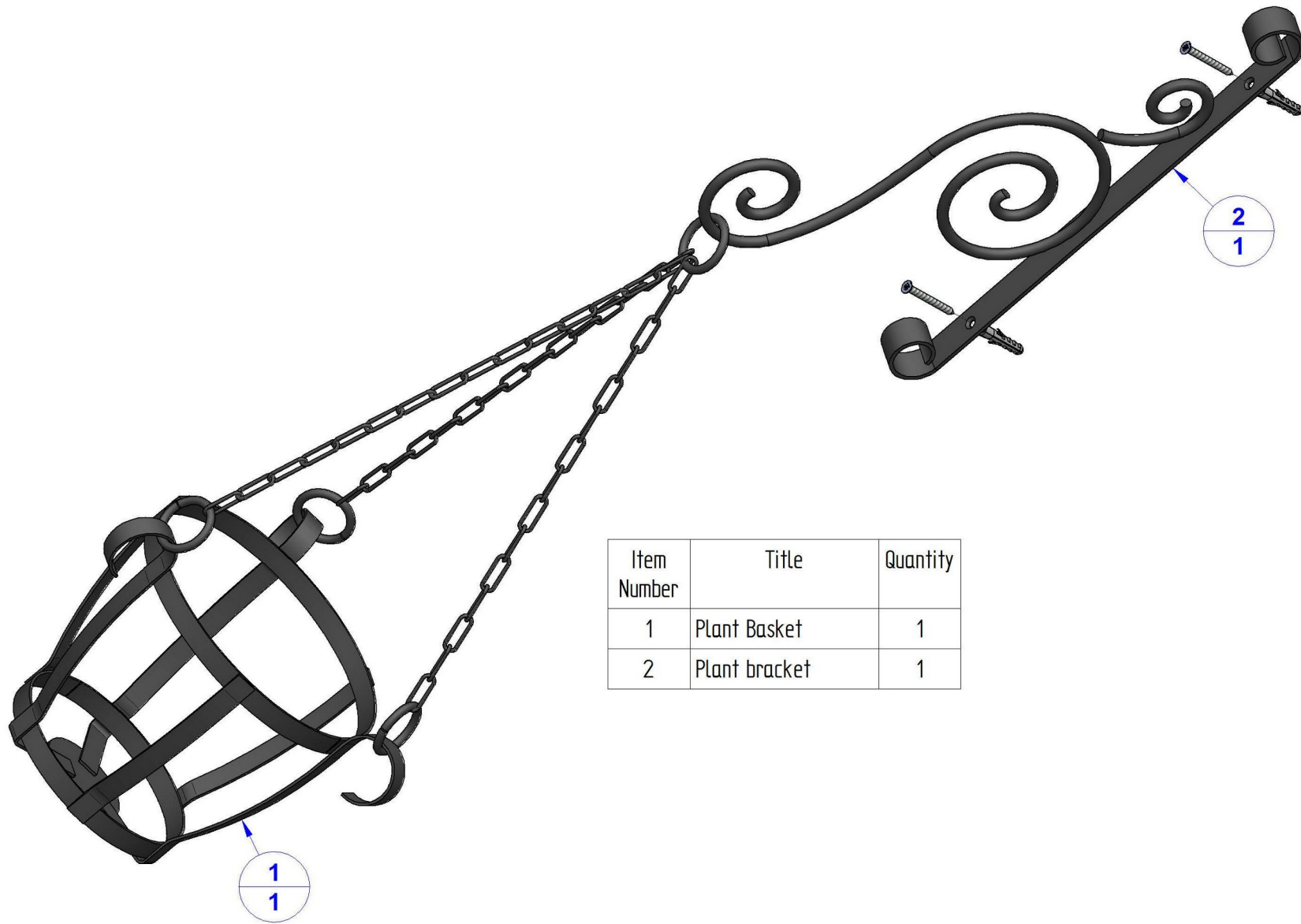
Imagine having few of these wrought iron hanging baskets on your porch or a deck filled with flowering plants. That would be such a treat for you and all of your visitors. The hanging flower baskets are great decoration to any exterior, especially if you don't have much space, where you can put your flower plants during the summer. Also, the wrought iron items by itself are simply beautiful and elegant and if you decide to make this wrought iron basket plan, you will have a unique and graceful thing that will last for a very long time.

The plan for the making of this plant basket is based on a similar plant basket that we once saw hanging on the wall of a house, with an abundance of flowers blooming in it. We were delighted by the sight of a stone house decorated with wooden beams and an adorable flowering hanging basket and, inspired by this beauty, we eventually drew this DIY plan to share with you. The basket is very similar to the one we saw, we only had to change the bracket since the original one was made in a similar shape using casting technology. Depending on your needs, you can change the basket dimensions to fit the pots you have, and you can also change the chain length.

All the parts of this assembly, except the chain, are made out of the standard section steel rod by simple cutting, bending and welding. Make the parts by following the given documentation and weld them together. Grind the welded beads to look smooth. Paint the whole structure with the basic preserving color and when it dries out, daub it two times with color for metal. The recommended color is black, because black color gives the impression of a wrought iron to the whole structure and it adjusts well to almost any exterior or interior. You will need special Fischer Plug (item 2.05), if you choose to hang this Bracket on the concrete or brick wall. Use various tools and clamps in process of welding, so you could weld the items together with accuracy.

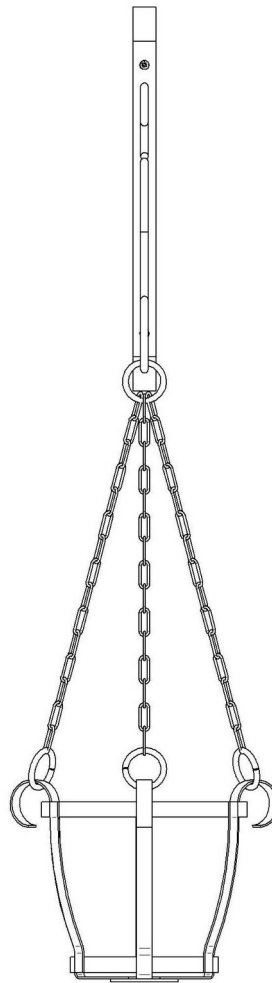
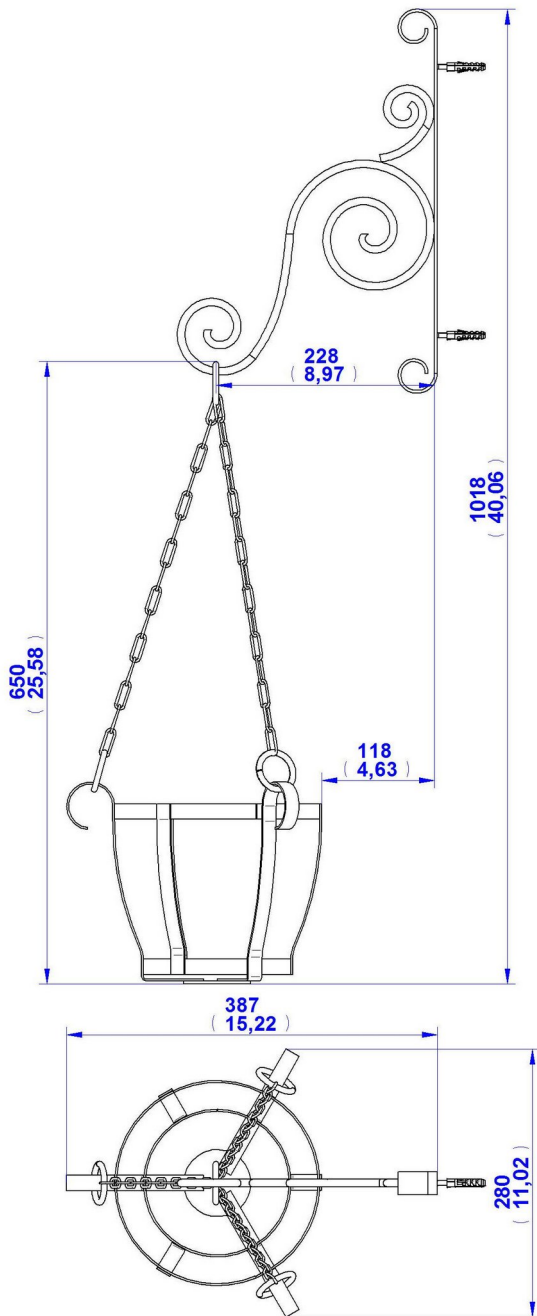
Surely the making of this bracket and plant basket does not belong to simple wrought iron projects, but you have to trust us - when you have finally finished it, you will see that it was worth all of your efforts!

Subassembly List



Item Number	Title	Quantity
1	Plant Basket	1
2	Plant bracket	1

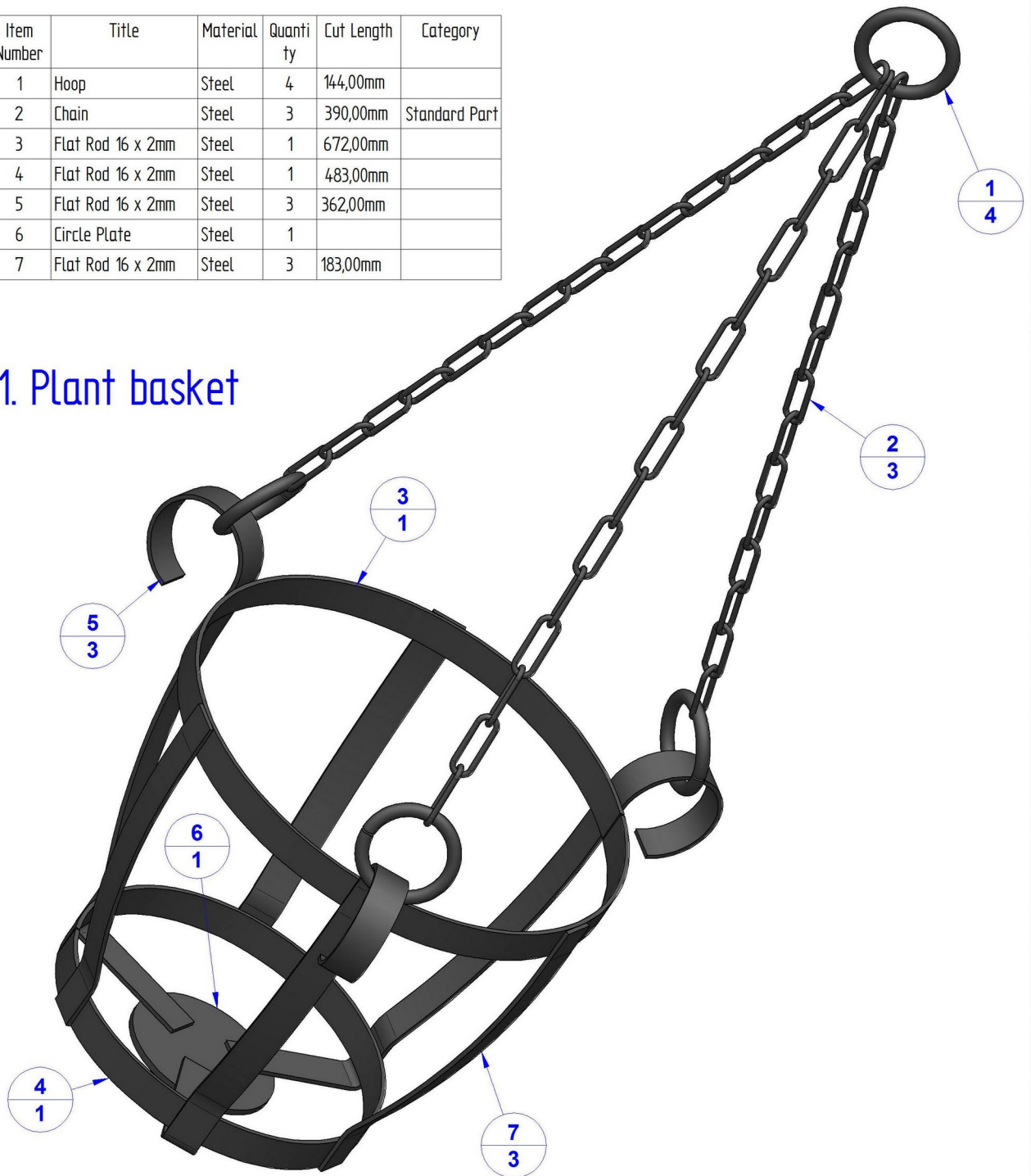
Main assembly drawing



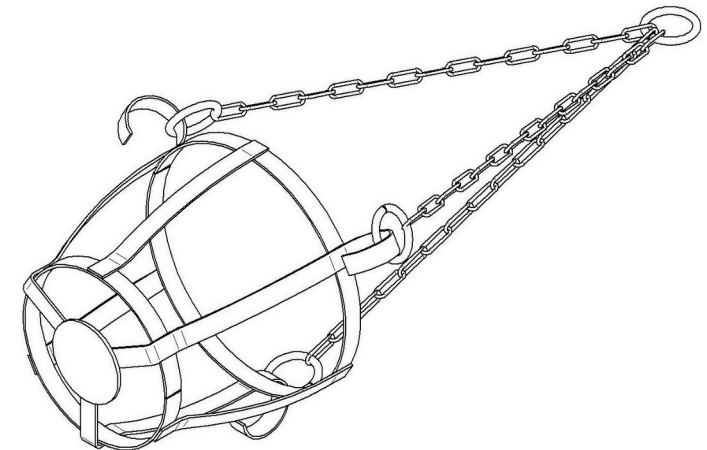
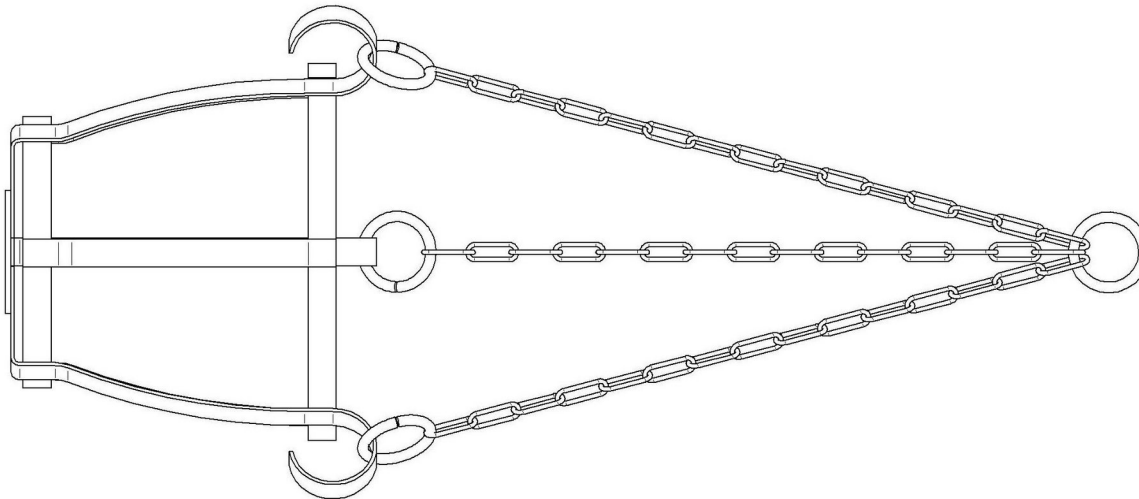
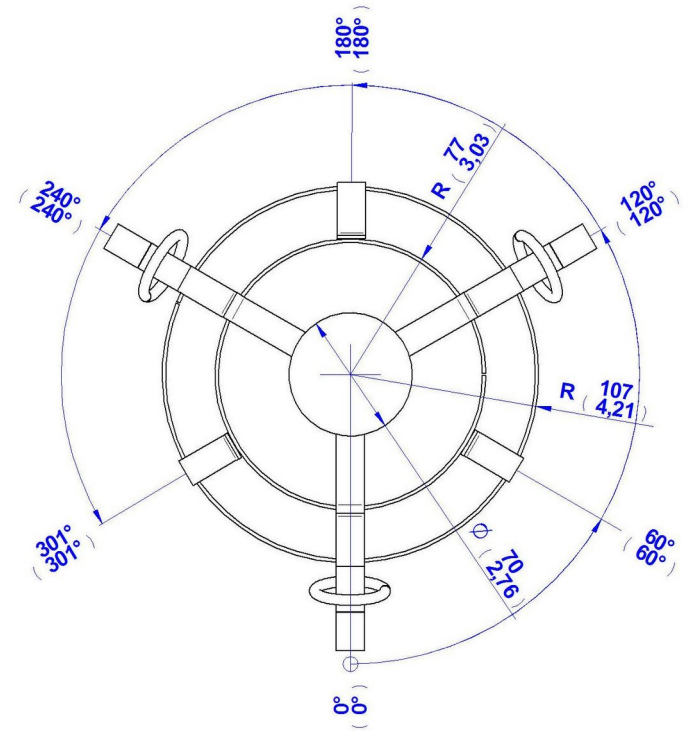
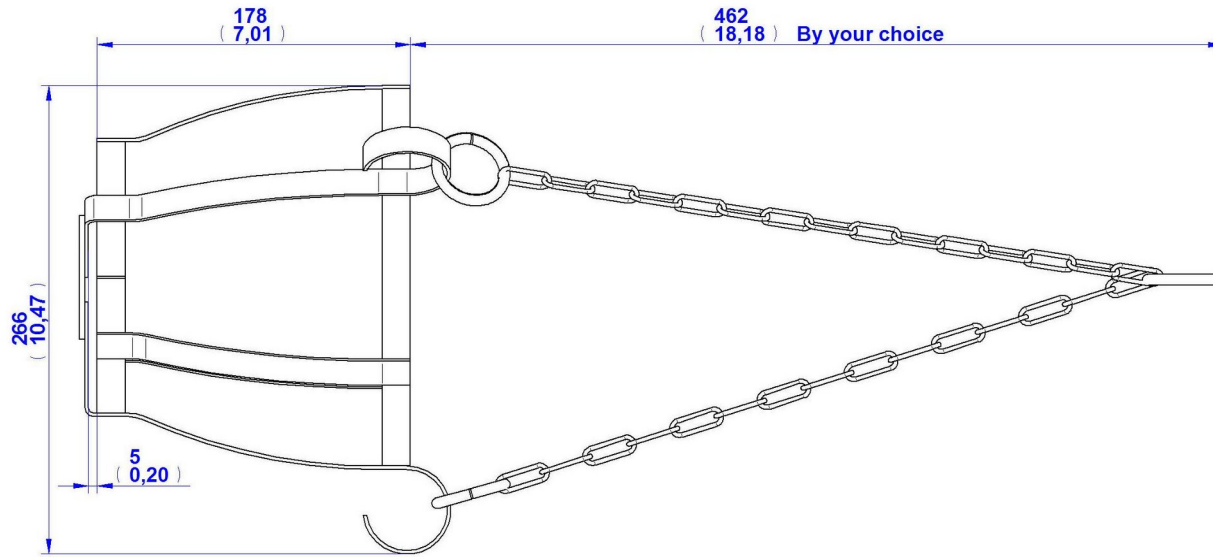
Plant Basket subassembly – Parts list

Item Number	Title	Material	Quantity	Cut Length	Category
1	Hoop	Steel	4	144,00mm	
2	Chain	Steel	3	390,00mm	Standard Part
3	Flat Rod 16 x 2mm	Steel	1	672,00mm	
4	Flat Rod 16 x 2mm	Steel	1	483,00mm	
5	Flat Rod 16 x 2mm	Steel	3	362,00mm	
6	Circle Plate	Steel	1		
7	Flat Rod 16 x 2mm	Steel	3	183,00mm	

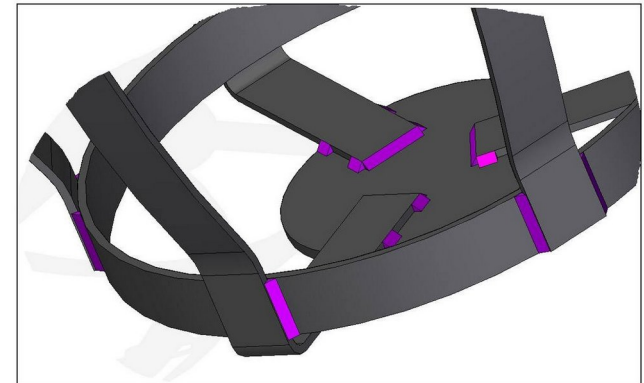
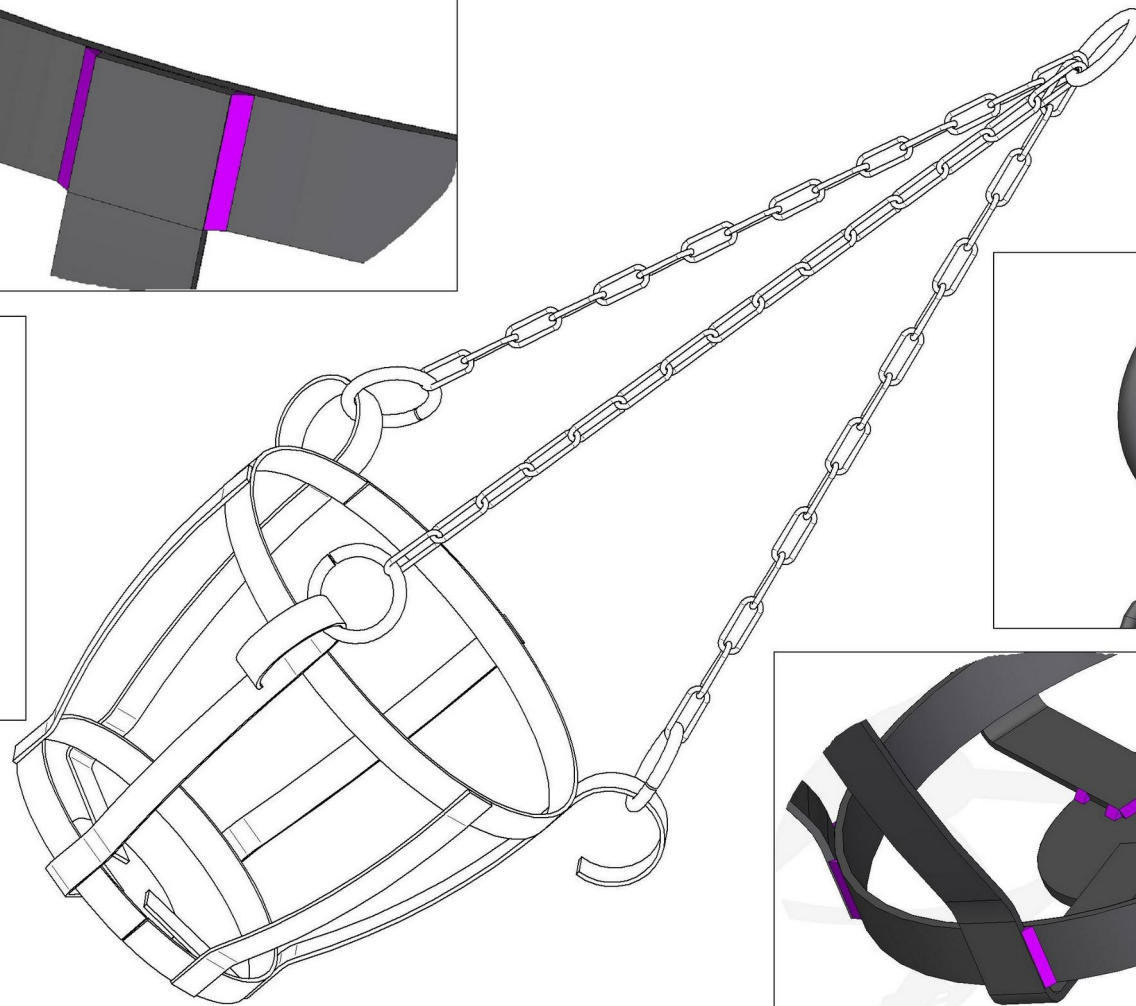
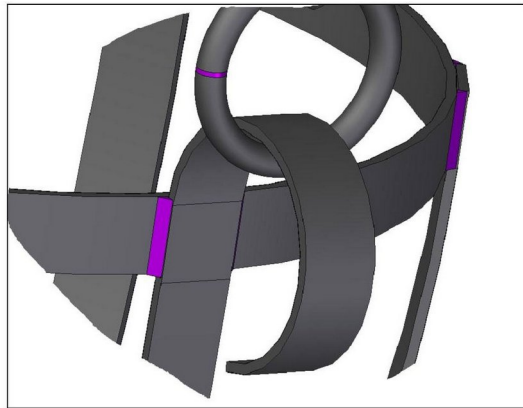
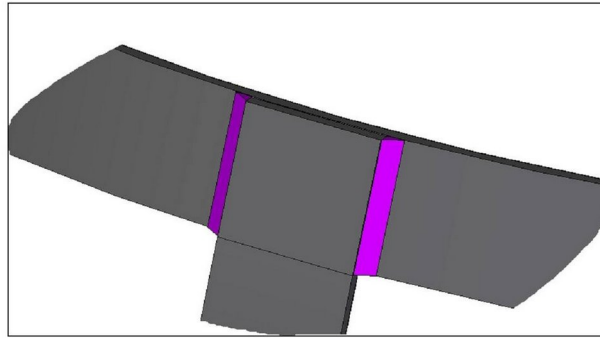
1. Plant basket

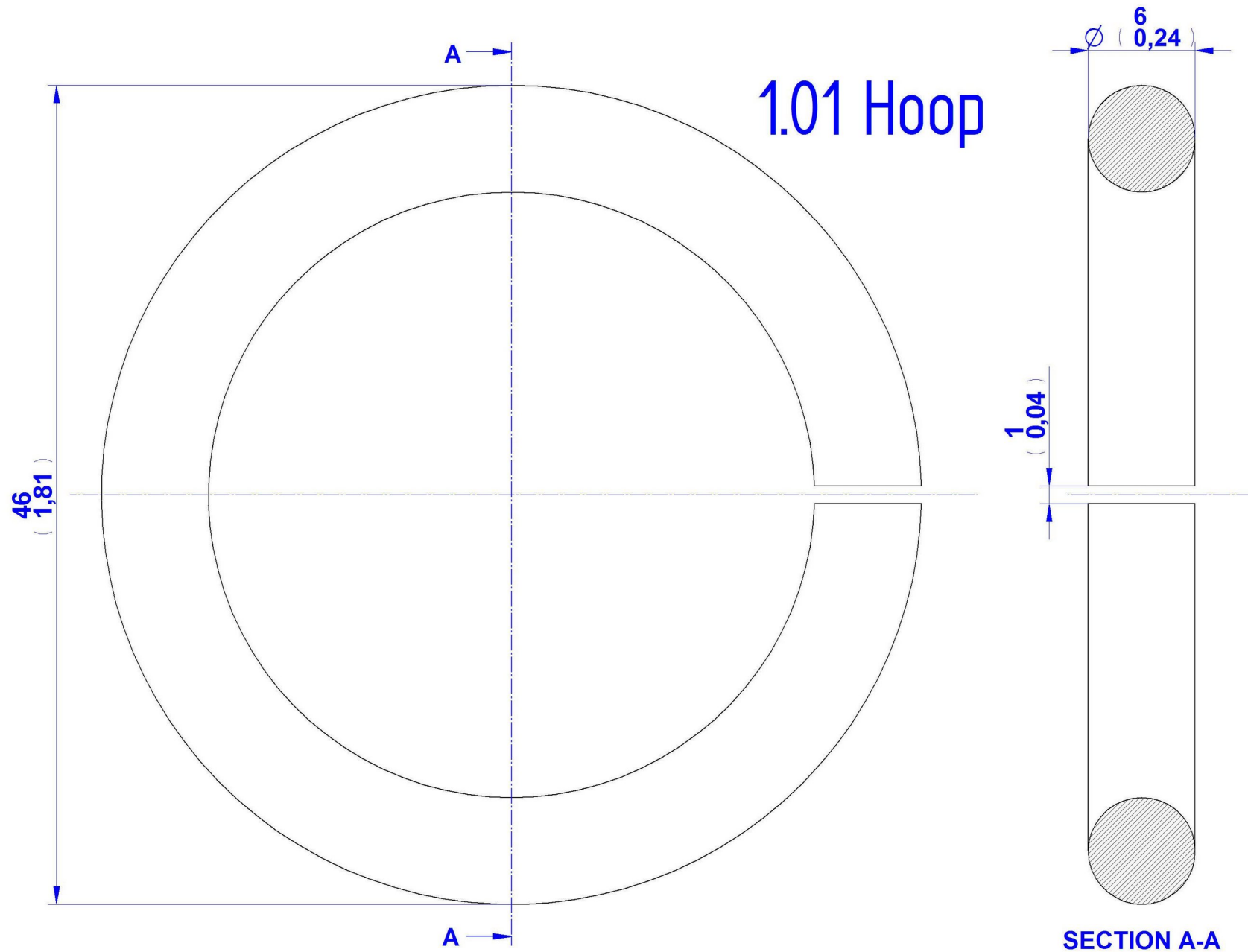


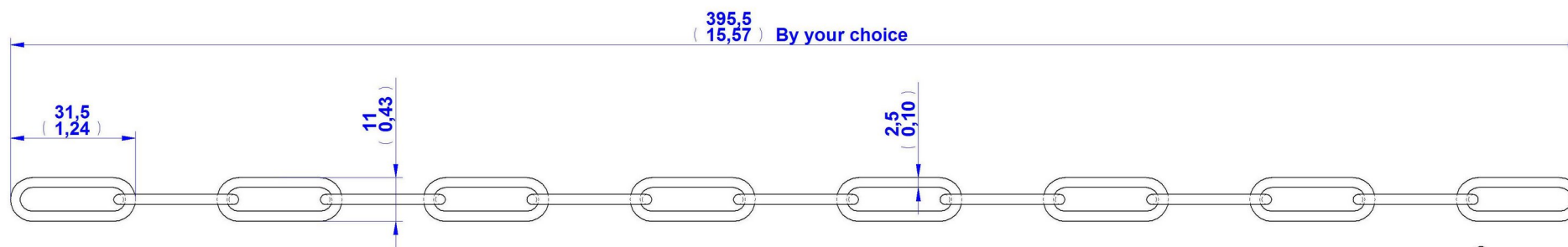
Plant Basket subassembly drawing



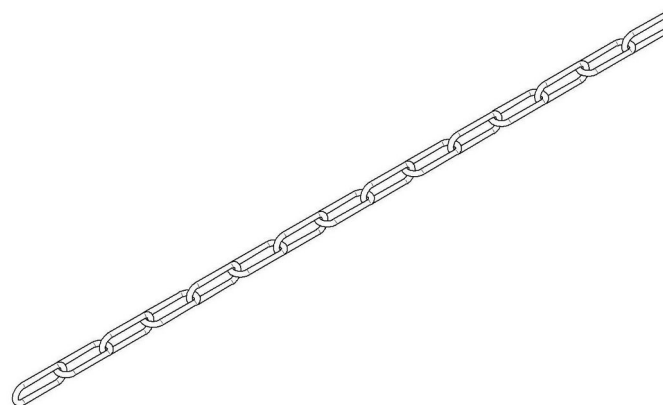
Welds

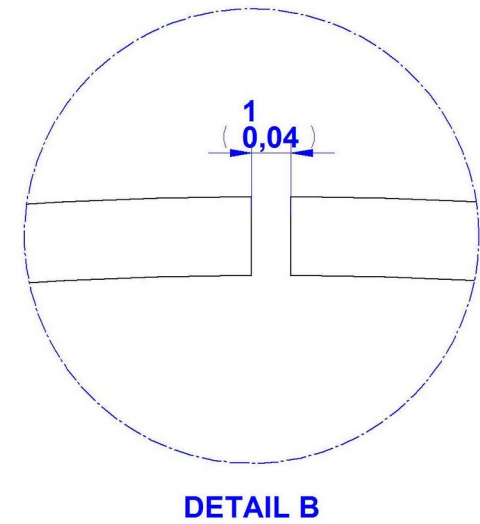
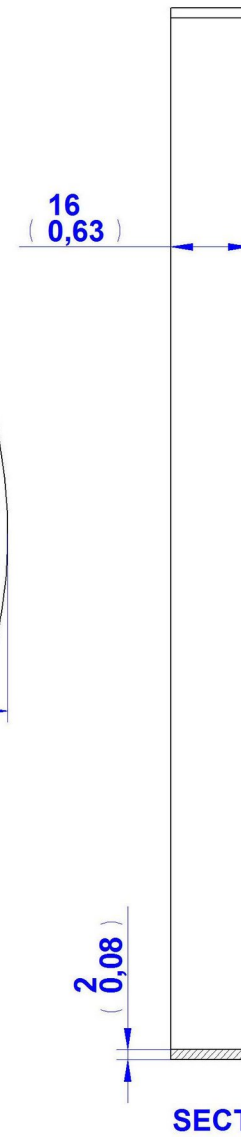
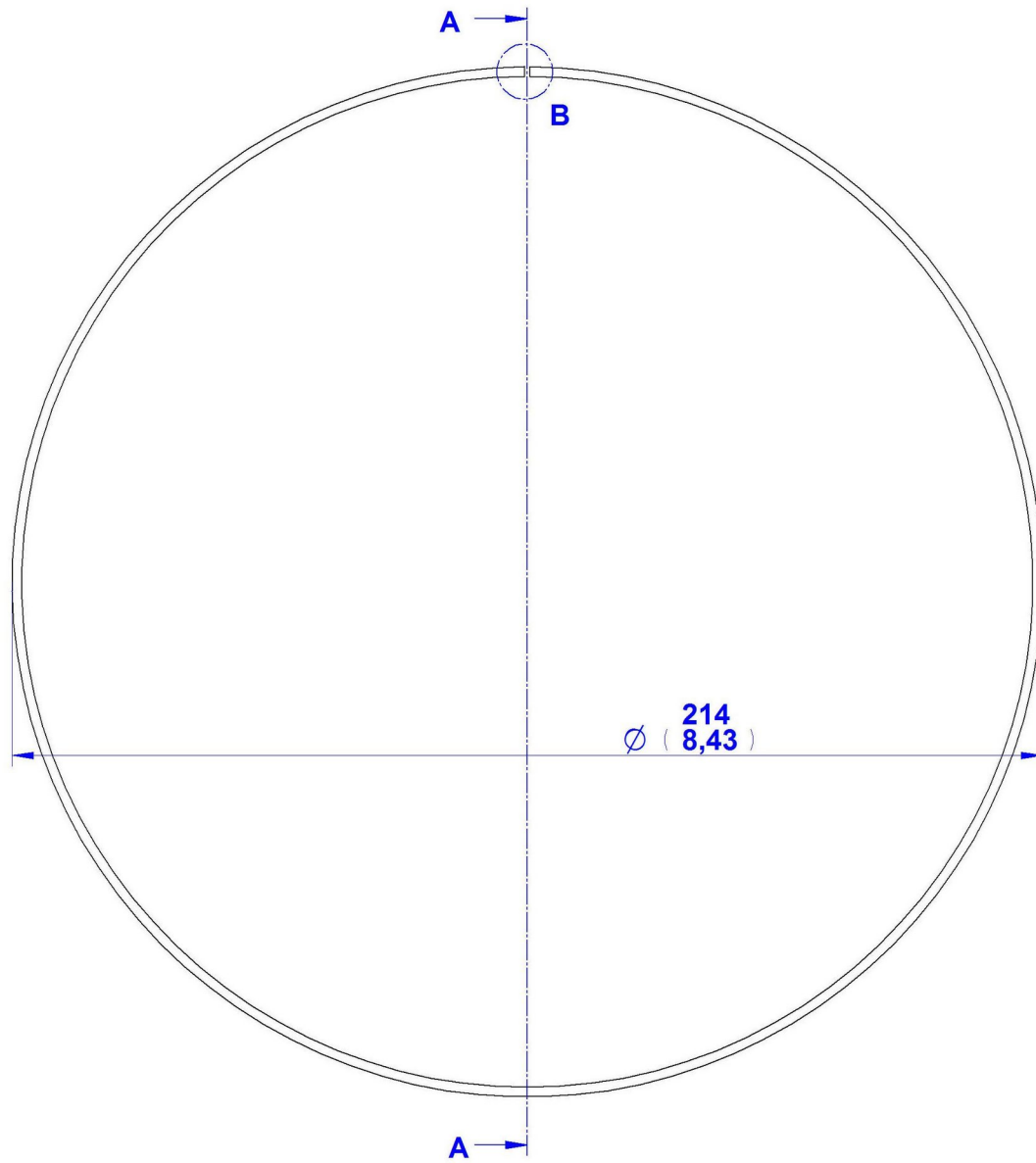




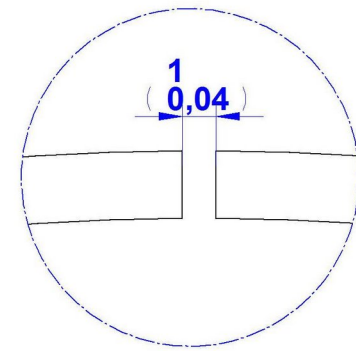
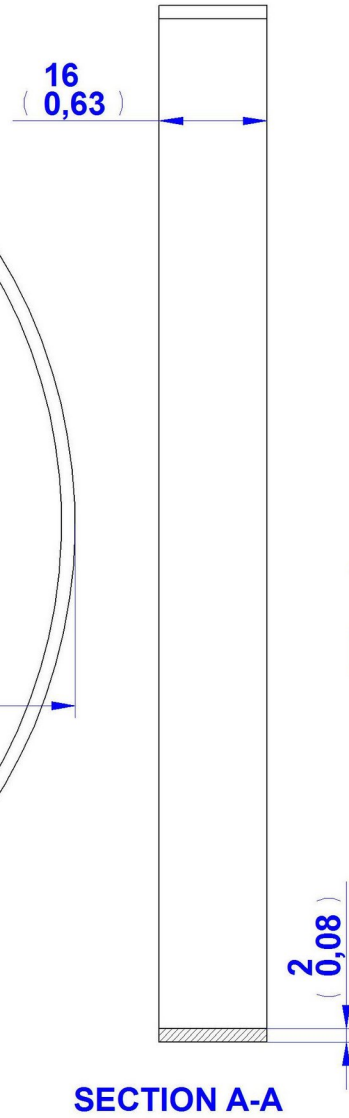
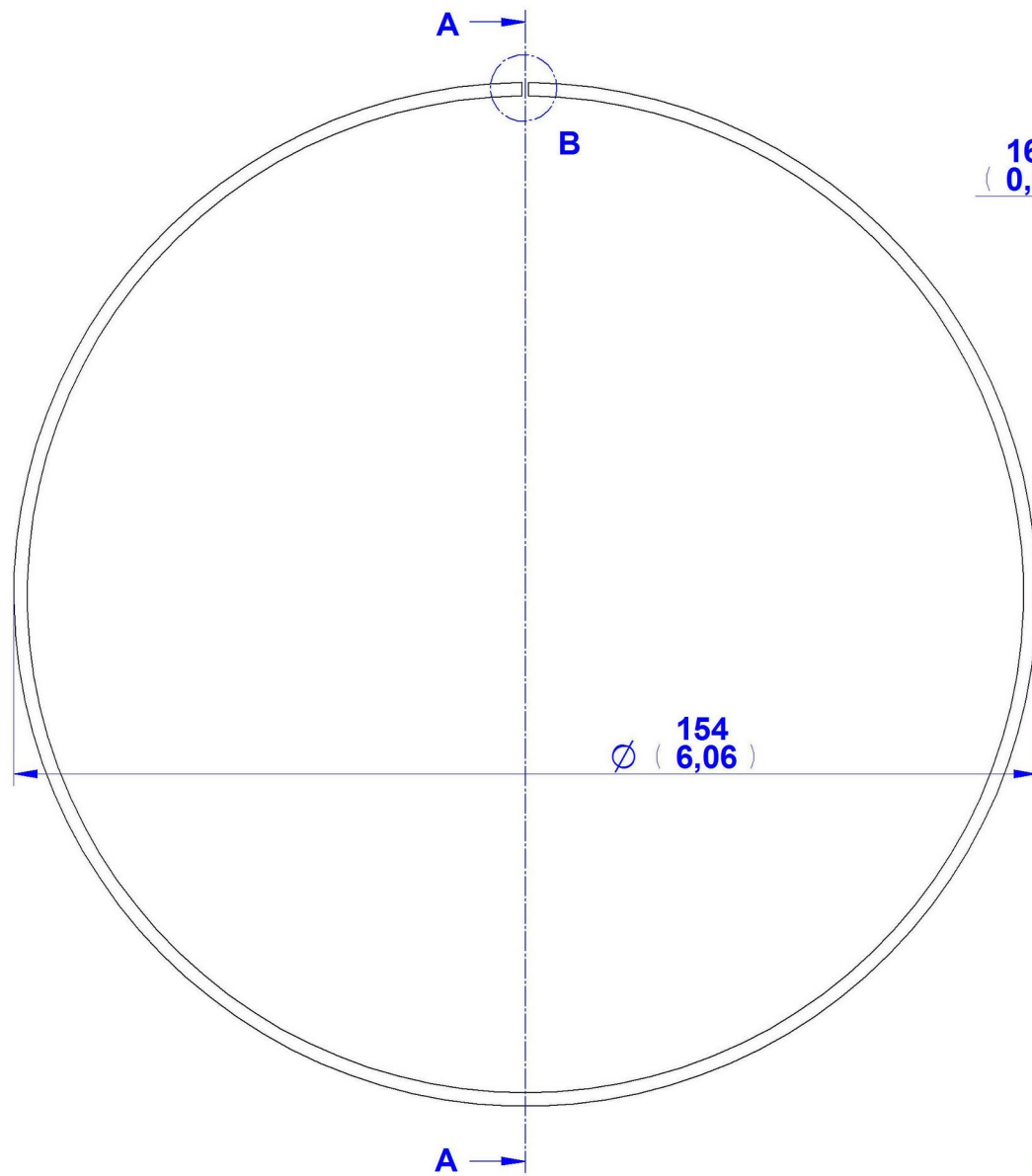


1.02 Chain



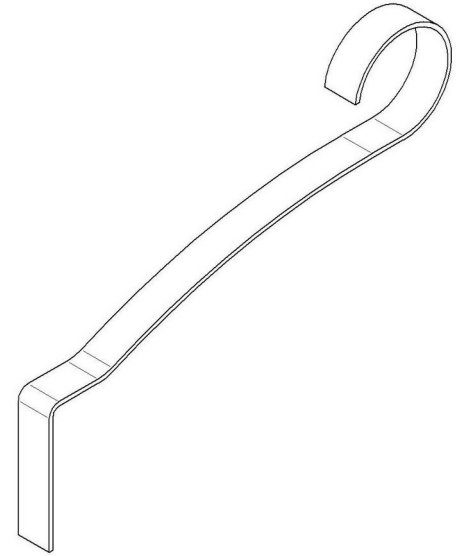
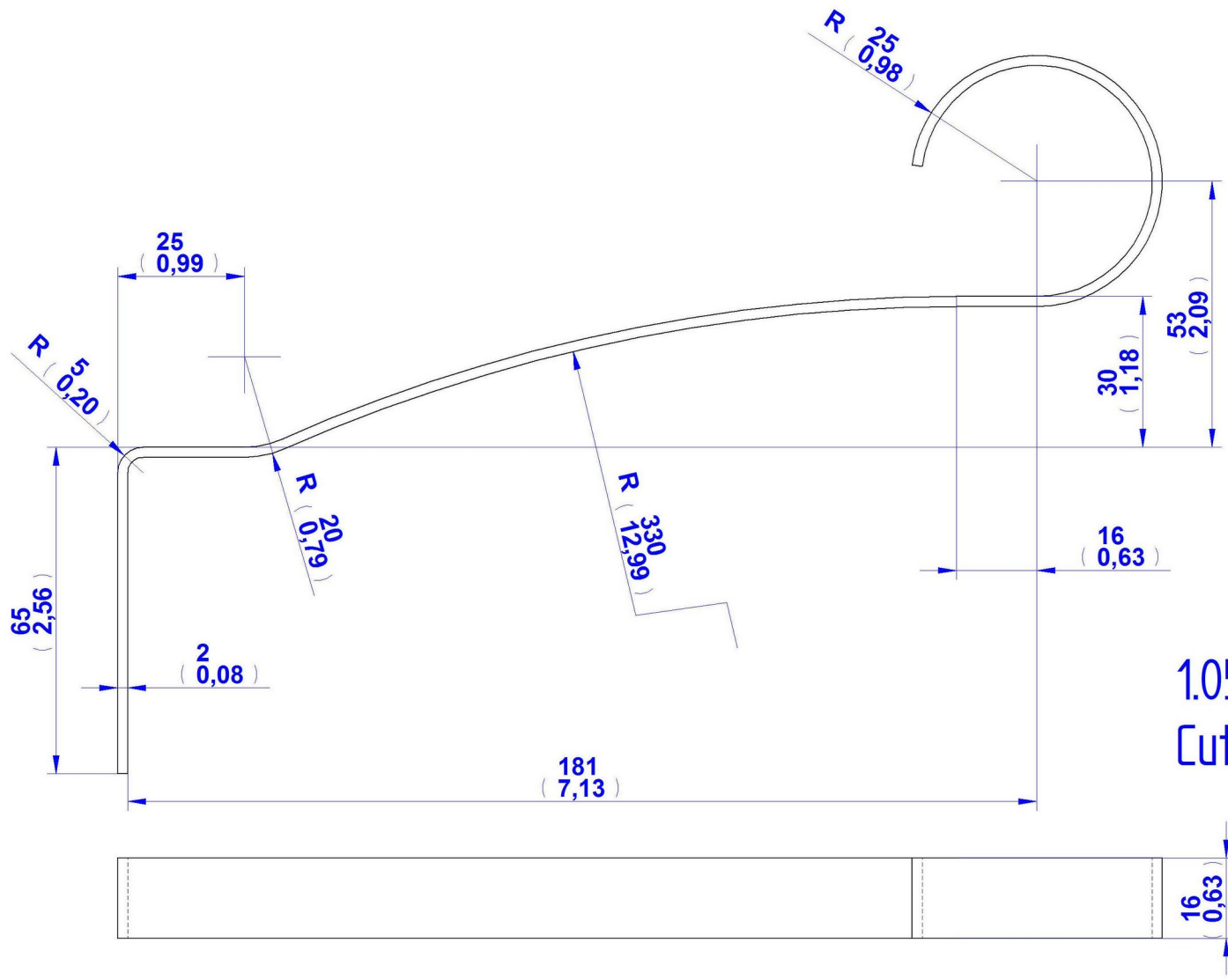


1.03 Flat Rod 16 x 2mm
Cut Length = 672,00mm

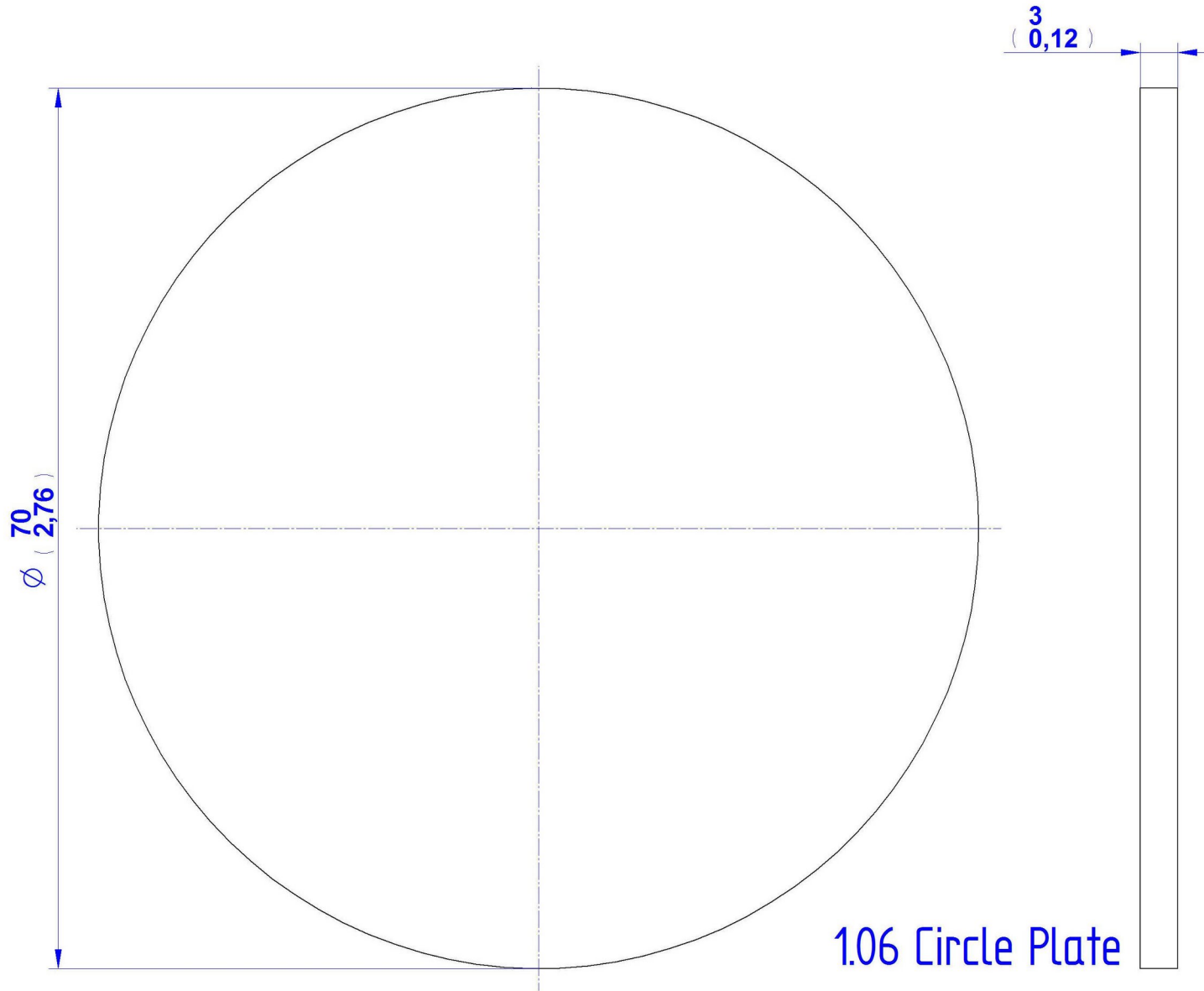


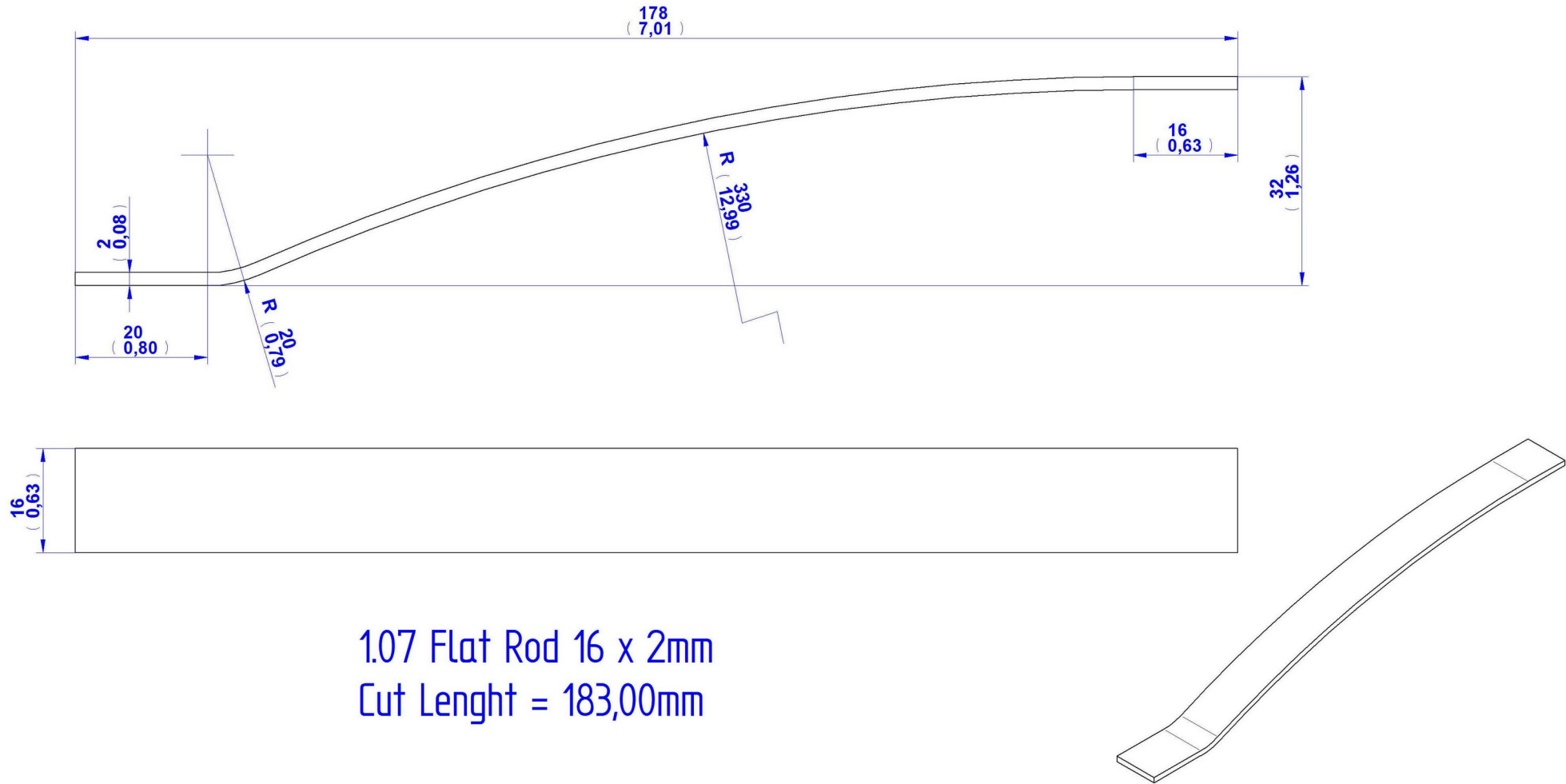
DETAIL B

1.04 Flat Rod 16 x 2mm
Cut Length = 483,00mm

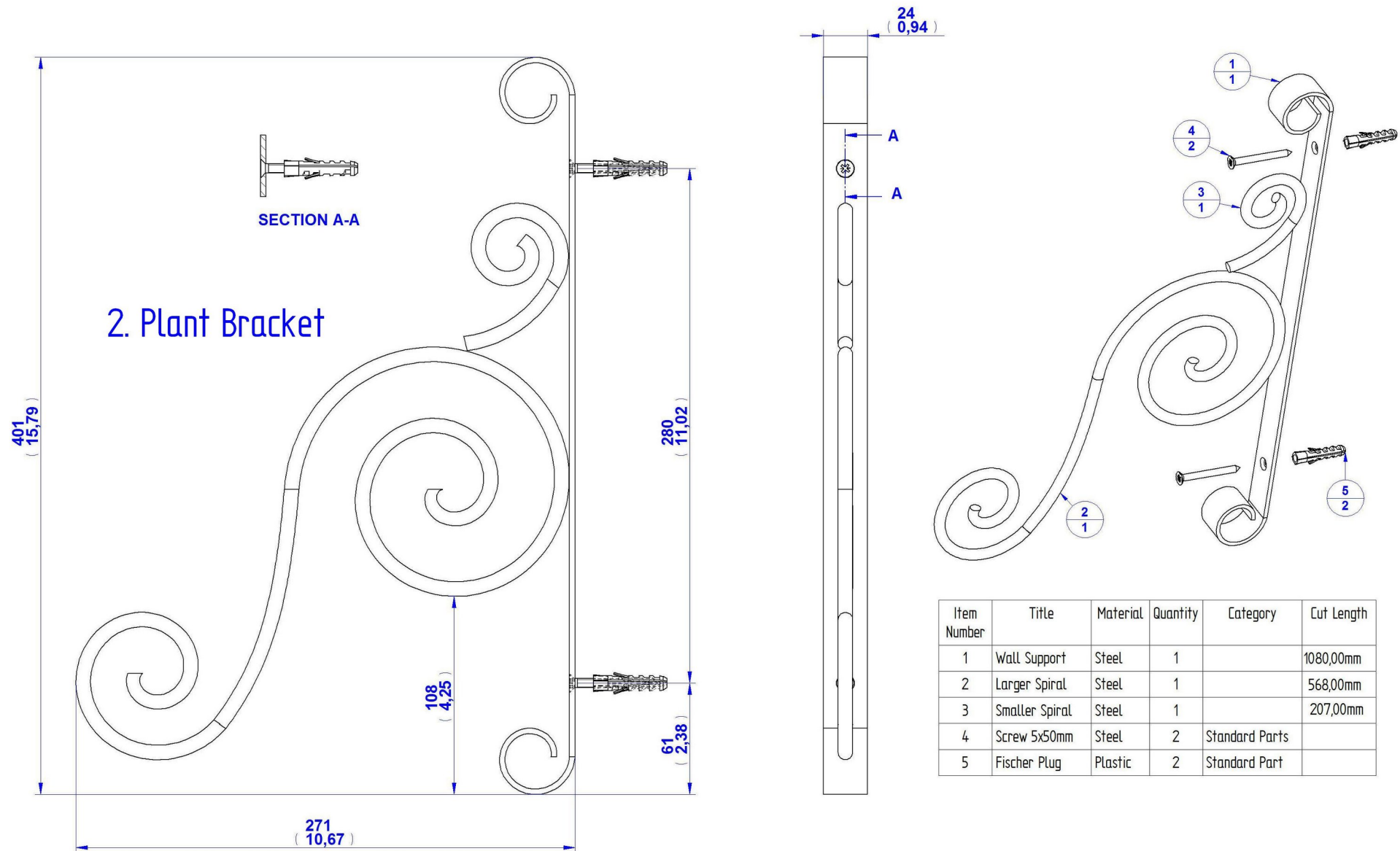


1.05 Flat Rod 16 x 2mm
Cut Length = 362,00mm



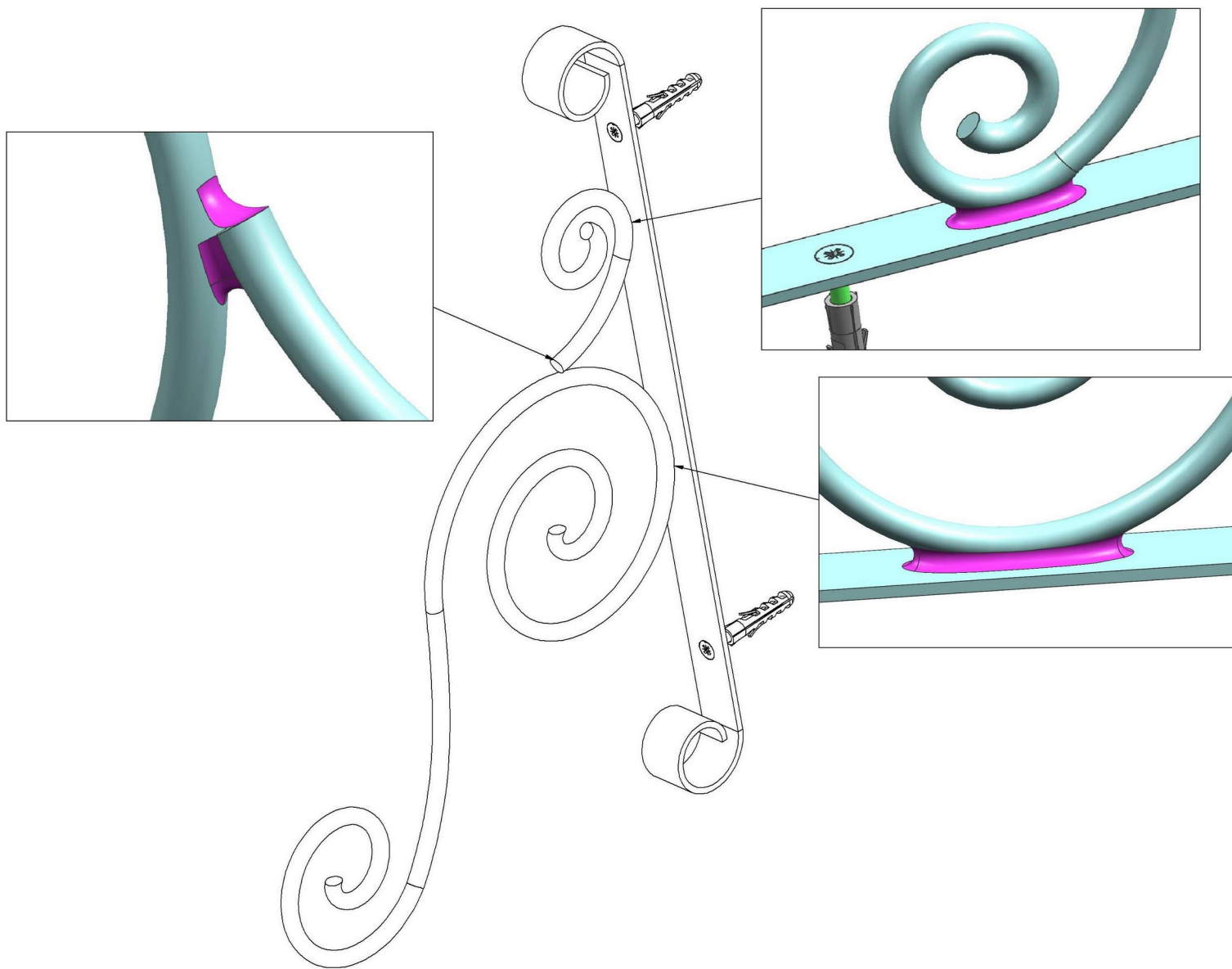


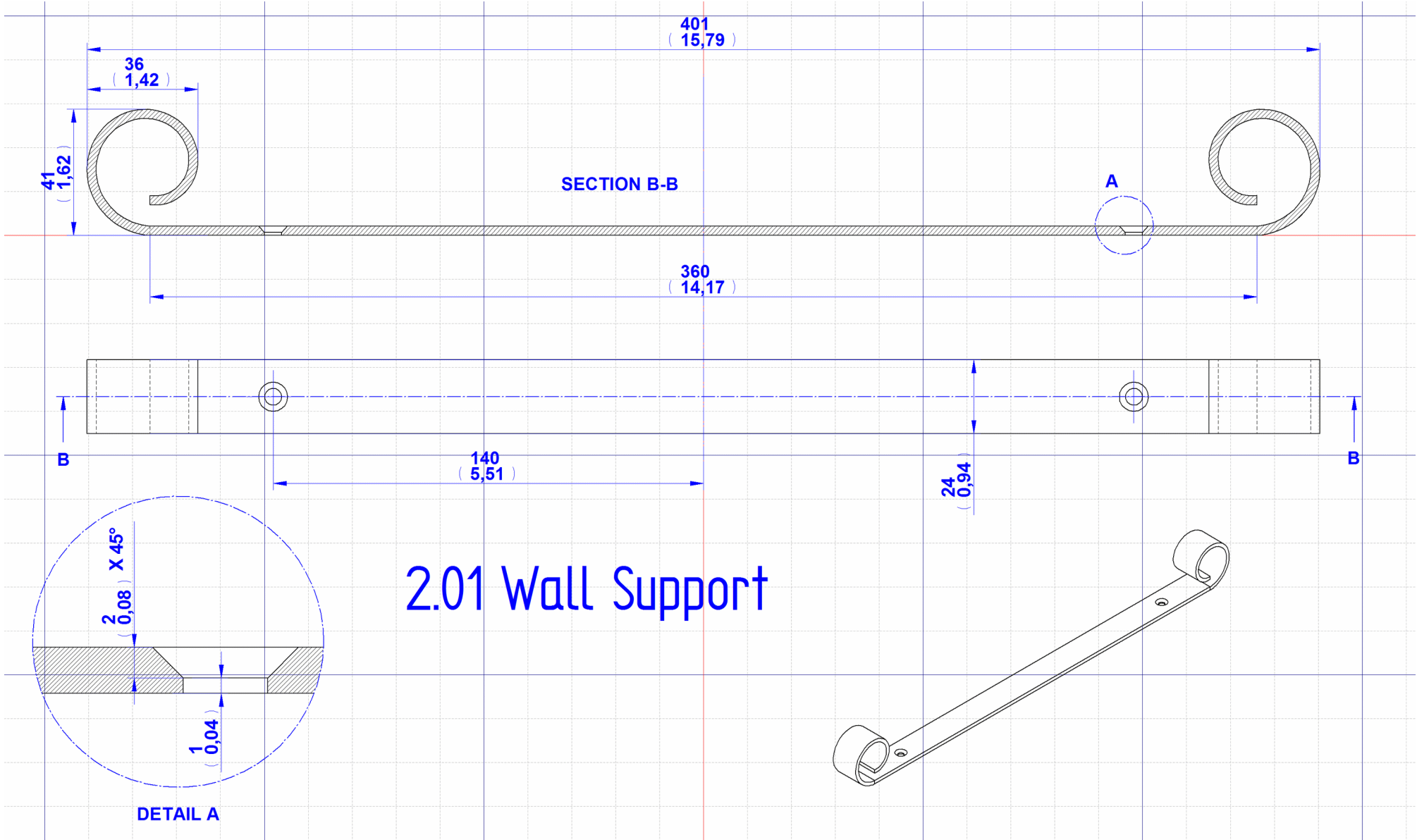
Plant Bracket subassembly – Parts list and subassembly drawing



Item Number	Title	Material	Quantity	Category	Cut Length
1	Wall Support	Steel	1		1080,00mm
2	Larger Spiral	Steel	1		568,00mm
3	Smaller Spiral	Steel	1		207,00mm
4	Screw 5x50mm	Steel	2	Standard Parts	
5	Fischer Plug	Plastic	2	Standard Part	

Welds

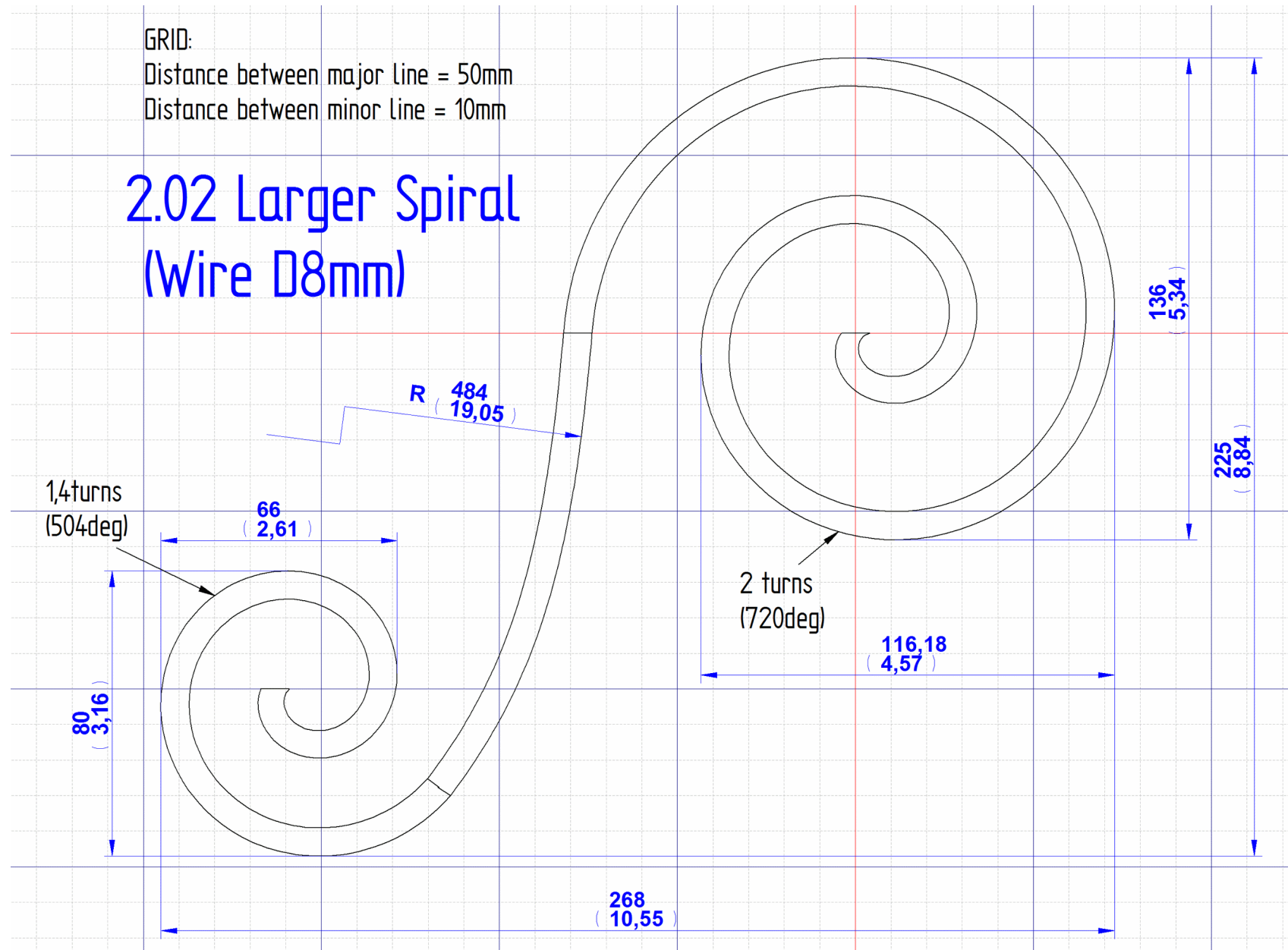


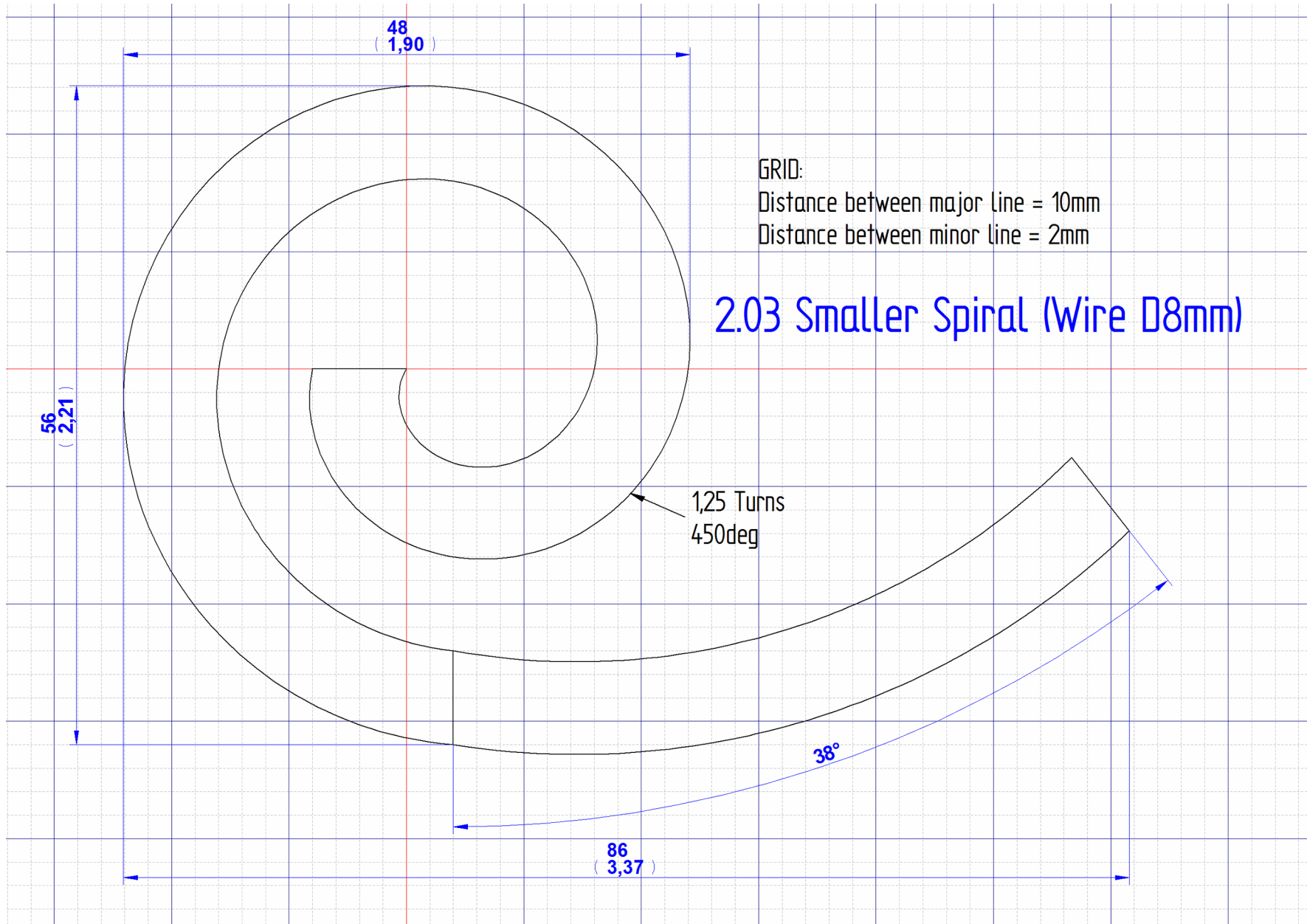


2.01 Wall Support

GRID:
Distance between major Line = 50mm
Distance between minor Line = 10mm

2.02 Larger Spiral (Wire Ø8mm)





Standard Parts

