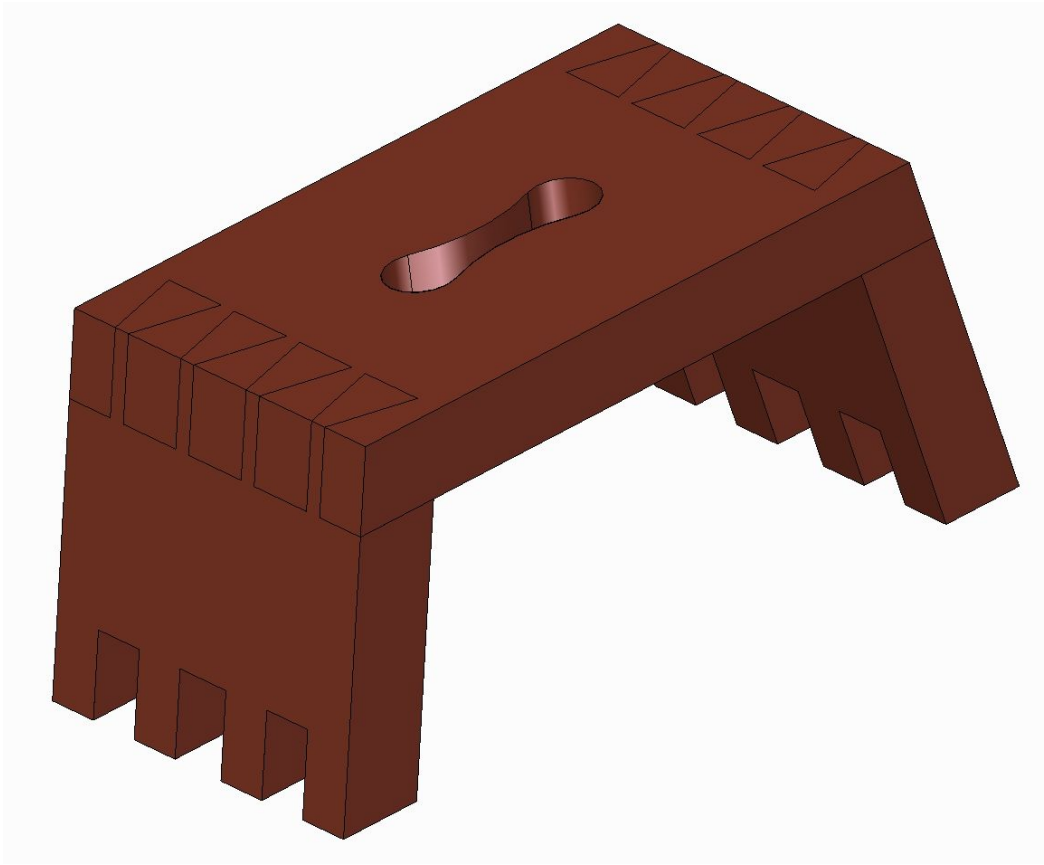


Dovetail wooden footstool



A footstool is one of the most useful piece of furniture. This free woodworking plan will show you how to build a dovetail footstool (W 359 mm (14.13 in.) x L 178 mm (7.01 in.) x H 165mm (6.5 in.)).

Wooden footstool is a multifunctional piece of furniture designed to support the feet of someone who seats in some kind of armchair, or it can also serve as a step stool, allowing people to use it to reach the top shelves, high cabinets, or it can be placed in front of a bathroom mirror, so the kids could brush their teeth and adjust their hair all by them selves. In one word, this kind of stool can be helpful in each room of your house.

So, if you decide to download this dovetail wooden footstool plan, you will soon have a beautiful piece of wooden furniture. But, although this small stool looks simple, to make it right, you will need to have some prior experience in cutting the angled dovetail joints, or if you like to check your skills for woodworking joints, this wooden stool plan is just perfect for you.

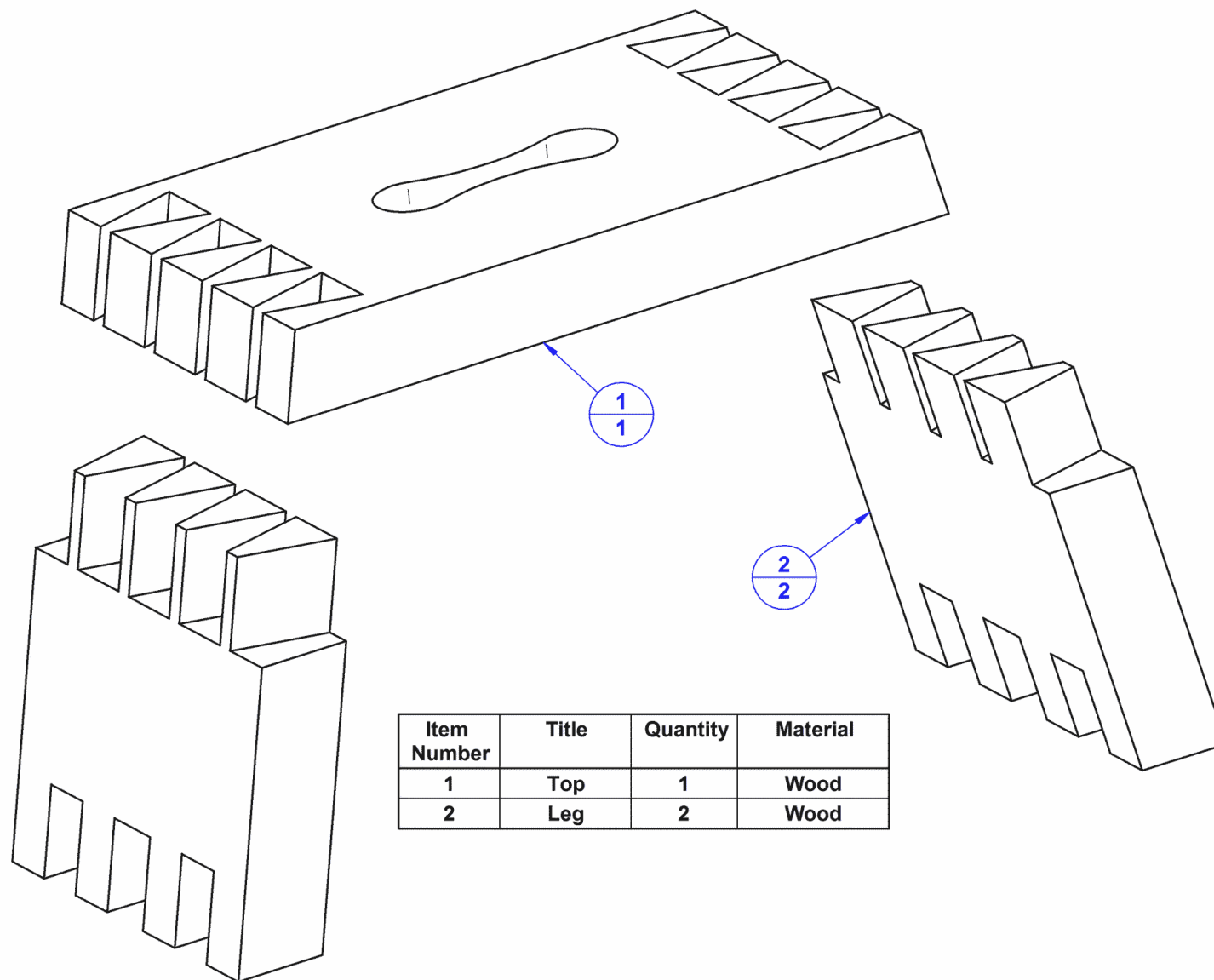
All the dimensions you need to build this footstool is shown in the drawings. The length, height and width can be changed to suit the purpose for which the footstool is intended.

There are only three parts: two legs, and a top, all made from 38mm (1 1/2 in.) stock. For strength and durability, it's best to use a hardwood for this project.

How to make a dovetail footstool

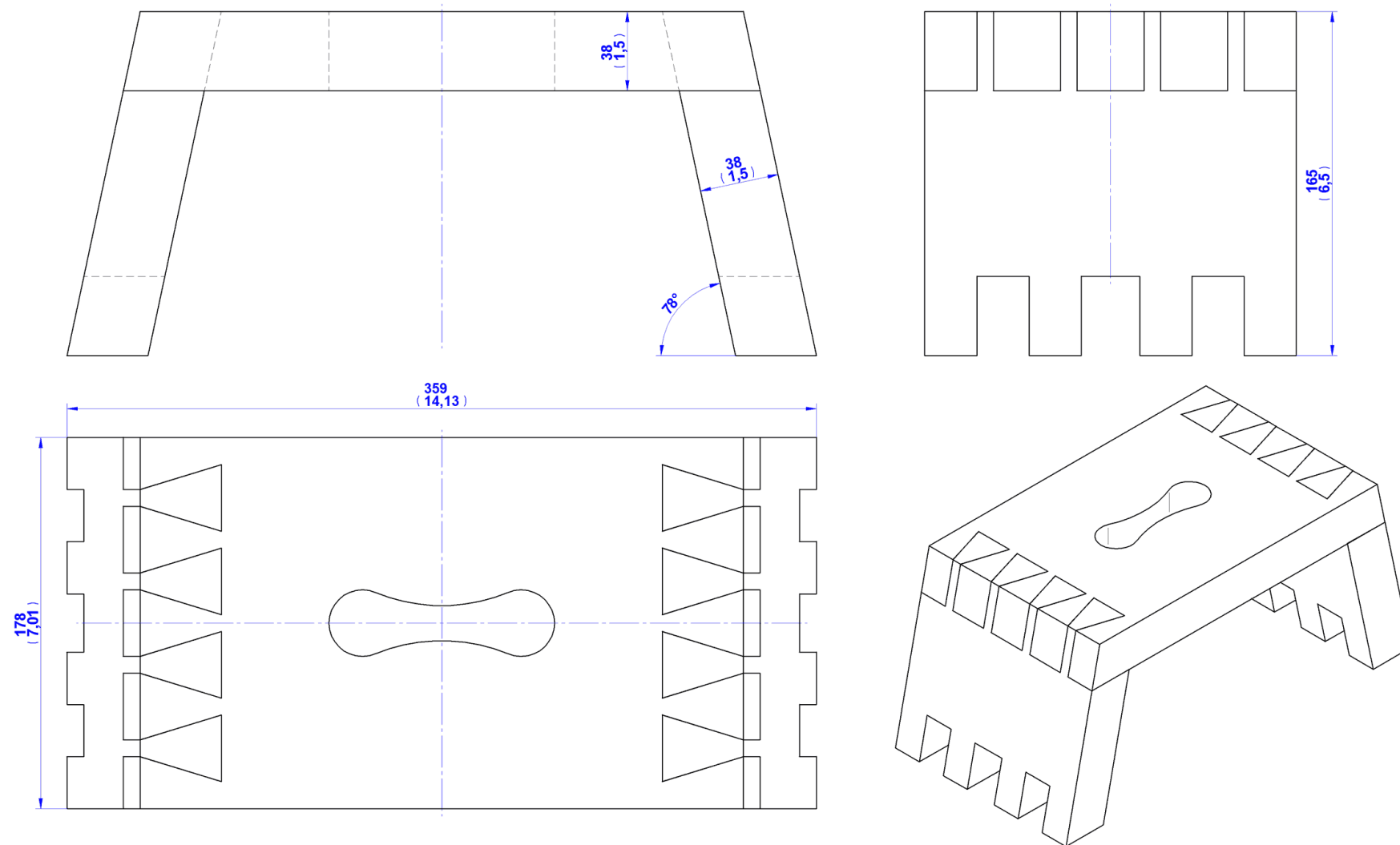
1. Select the stock.
2. Make all pieces of the required shape and size.
3. Lay off and cut angled dovetail joints.
4. Sand all sides, and round all sharp edges and corners.
5. After the parts have been dry-fit, glue the joints and assemble the footstool. Any surplus glue should be scraped off carefully.
6. Apply the desired finish

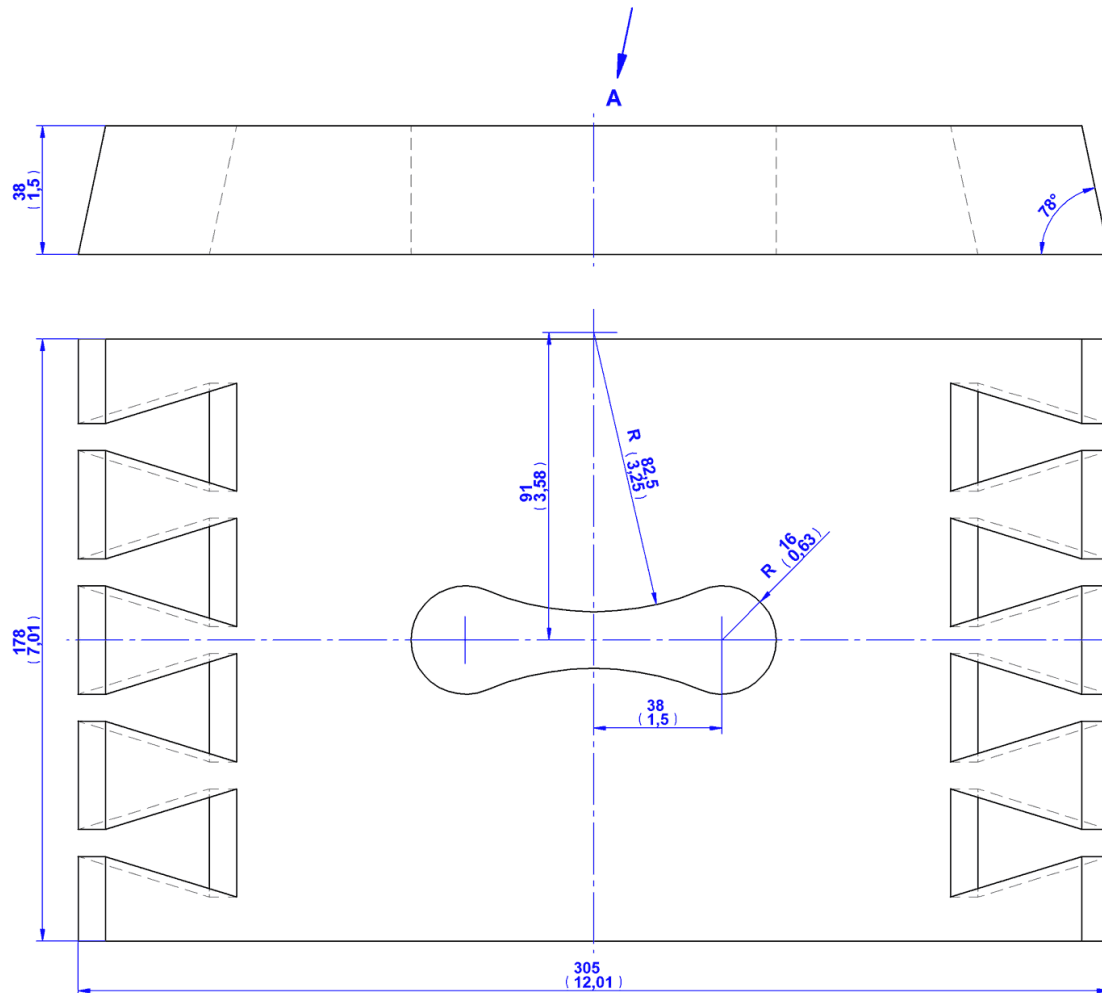
Parts list



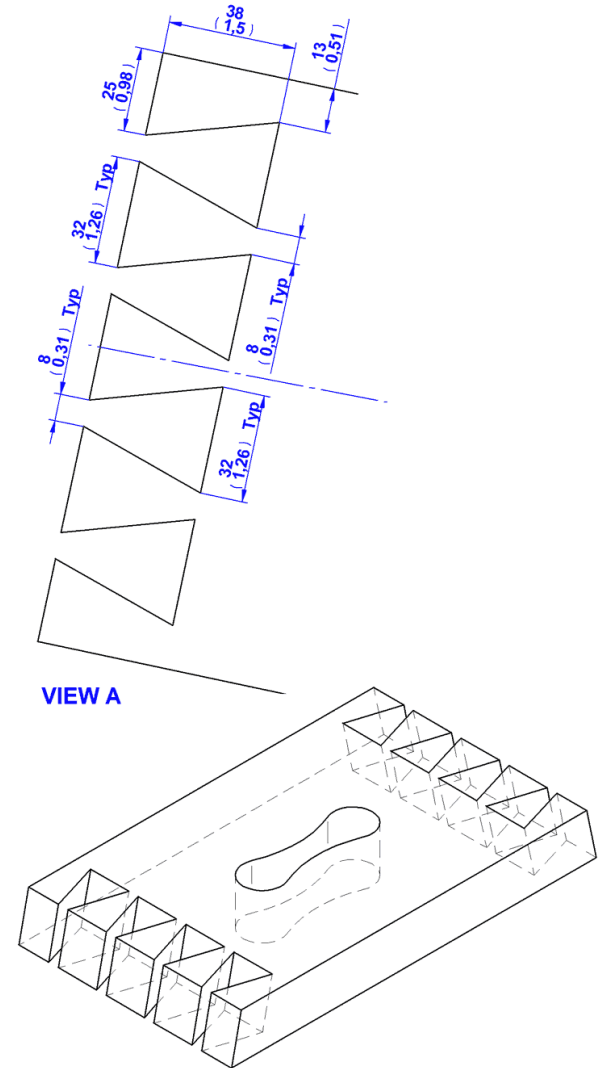
Item Number	Title	Quantity	Material
1	Top	1	Wood
2	Leg	2	Wood

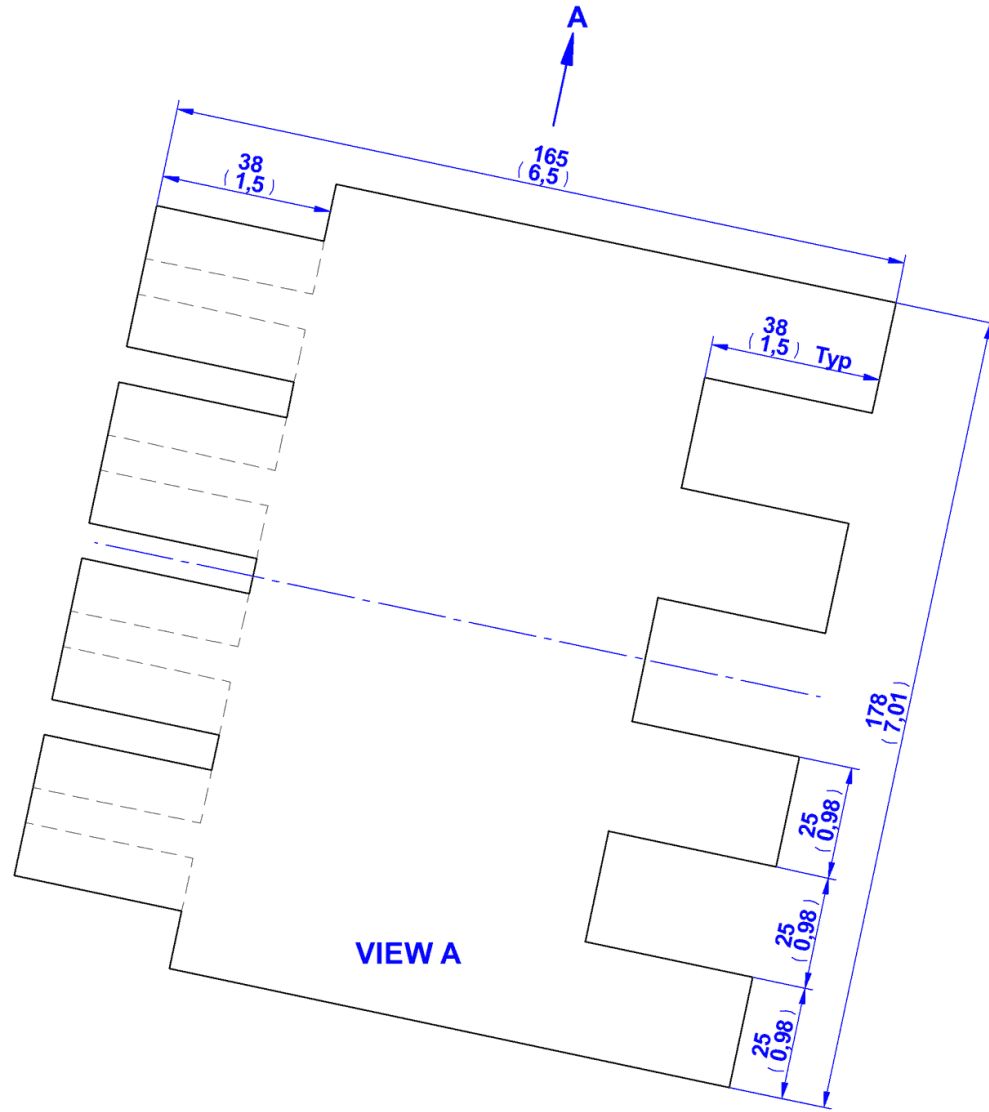
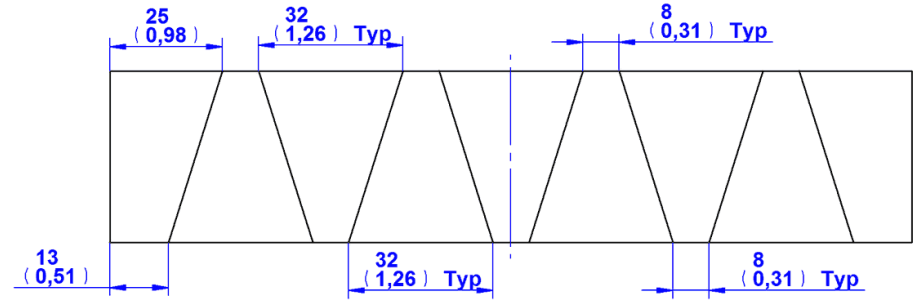
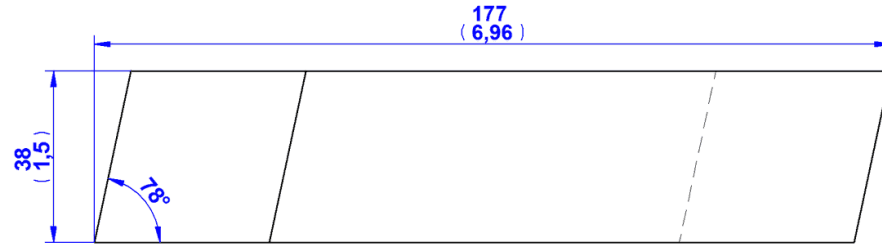
Assembly 2D drawings



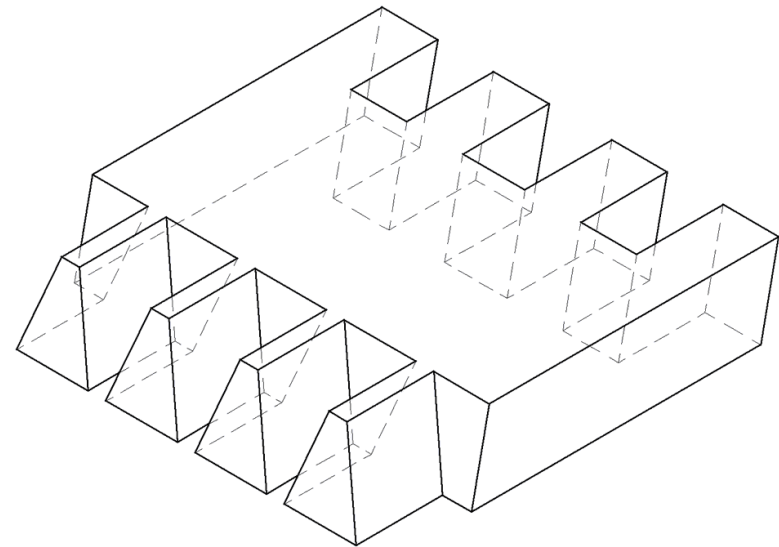


1. Top





2. Side



Assemblage images

