

## Folding tripod easel plan

The easel is an upright support which is usually used to put or attach things on it. Most often it's used to hold up a canvas of painters.

The two of the most common easel types are the simplest Tripod easels relying on three legs joined at the top, and the H-frame easels with the parallel posts and rectangular base.

By this plan you can make a tripod easel that can serve nicely to both professional and amateur painters. Our Folding tripod easel plan is made according to the model that is 50 years old and proved to be very practical, so the painters are quite satisfied with it.

The easel folds completely and you can assemble and disassemble it easily, so it is ideal for outdoor painting or to carry it on the exhibitions and fairs. It is a perfect choice for pastel and watercolor artists who work on location. This easel supports medium sized canvases. When you assemble it, bound it with the leather straps.

The easel is fully adjustable so you can adjust the angle for painting (by moving the back legs and sliding the slider leg parts) and by moving the upper and lower parts of the slider and sliding the slider leg parts you can adjust the height on which you wish to paint and fix the painting.



The tripod easels have a very light construction weight, so they are not stable as H-frame easels, but their huge advantage is their mobility. When you set up this easel, you can easily rotate it, move it or adjust the angle of the painting. This easel is designed for the work in a sitting position. To make this easel more stable, use the wood with a higher specific weight.

Since it is folding, it is suitable for some small studios and apartments, and especially for the outdoor painting. It looks very nice, so it is suitable to use it as a display easel.

The construction and parts are simple and it is easy to raise or lower dimensions of the construction. The construction is very simple and all the parts can be made in the workshop with the basic tools.

You do not have to be afraid of splitting the legs when setting the easel, because when you tighten the bolts (Part 5 – main assembly), the easel becomes sufficiently firm. Connections between the parts are made with the bolts and wing nuts.

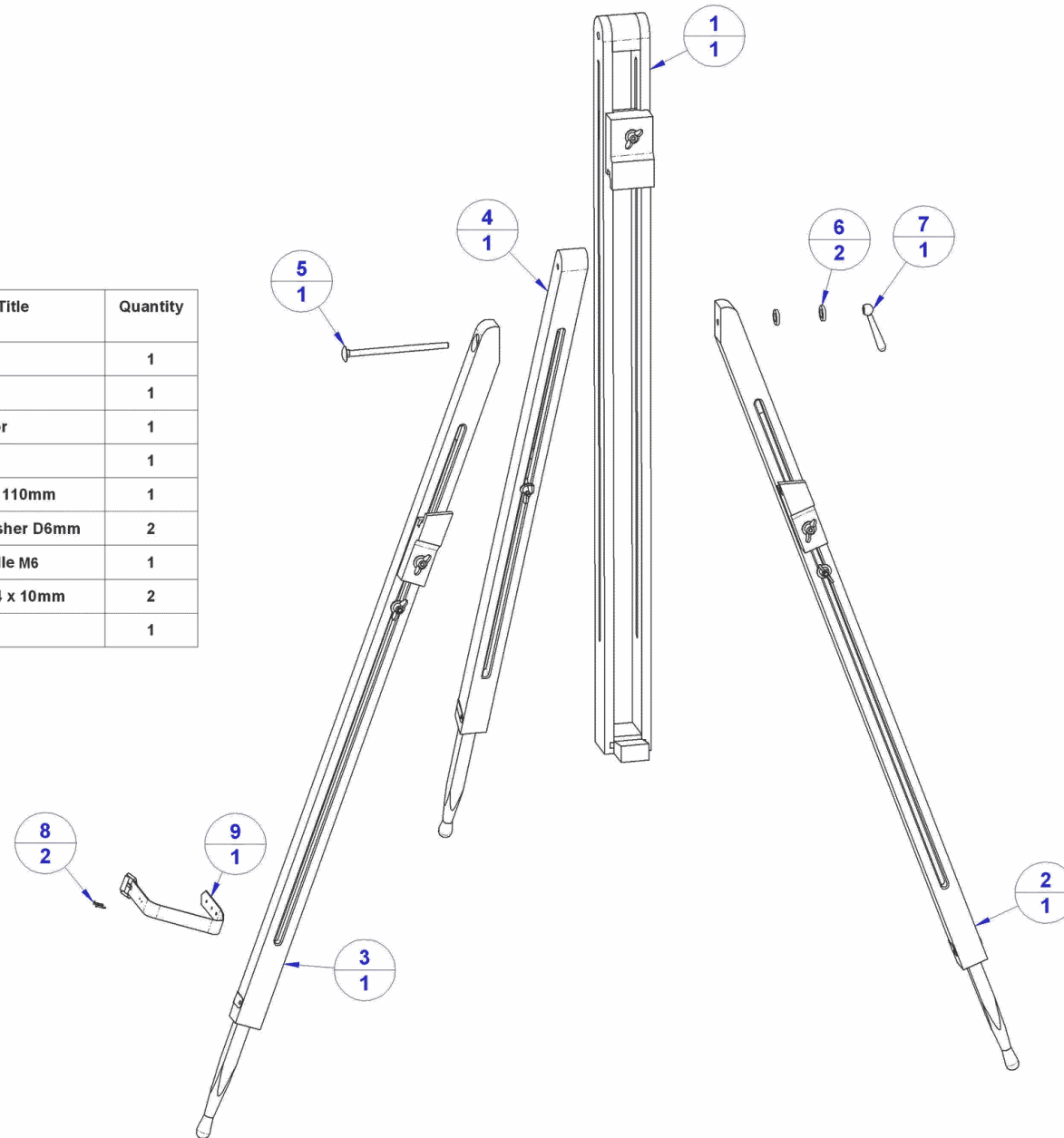
For making the parts, use some local wood that can be easily processed, and for the finish use the paint, wax or lacquer. The easel that will be used for painting will be quickly spotted with many colors, so the beauty of wood and the finish will not play a big role and therefore you do not have to spend too much money or time on that. If you plan to use it as a display easel, then the appearance will have an important role, because it will also affect the look of the exposed workpiece, so for this purpose we recommend some kind of wood with a nice texture and the finish that will highlight the beauty of the wood. Before applying the finish, carefully sand all the parts and process the edges to become rounded.

If you plan to use this easel outdoors, use the galvanized fasteners.

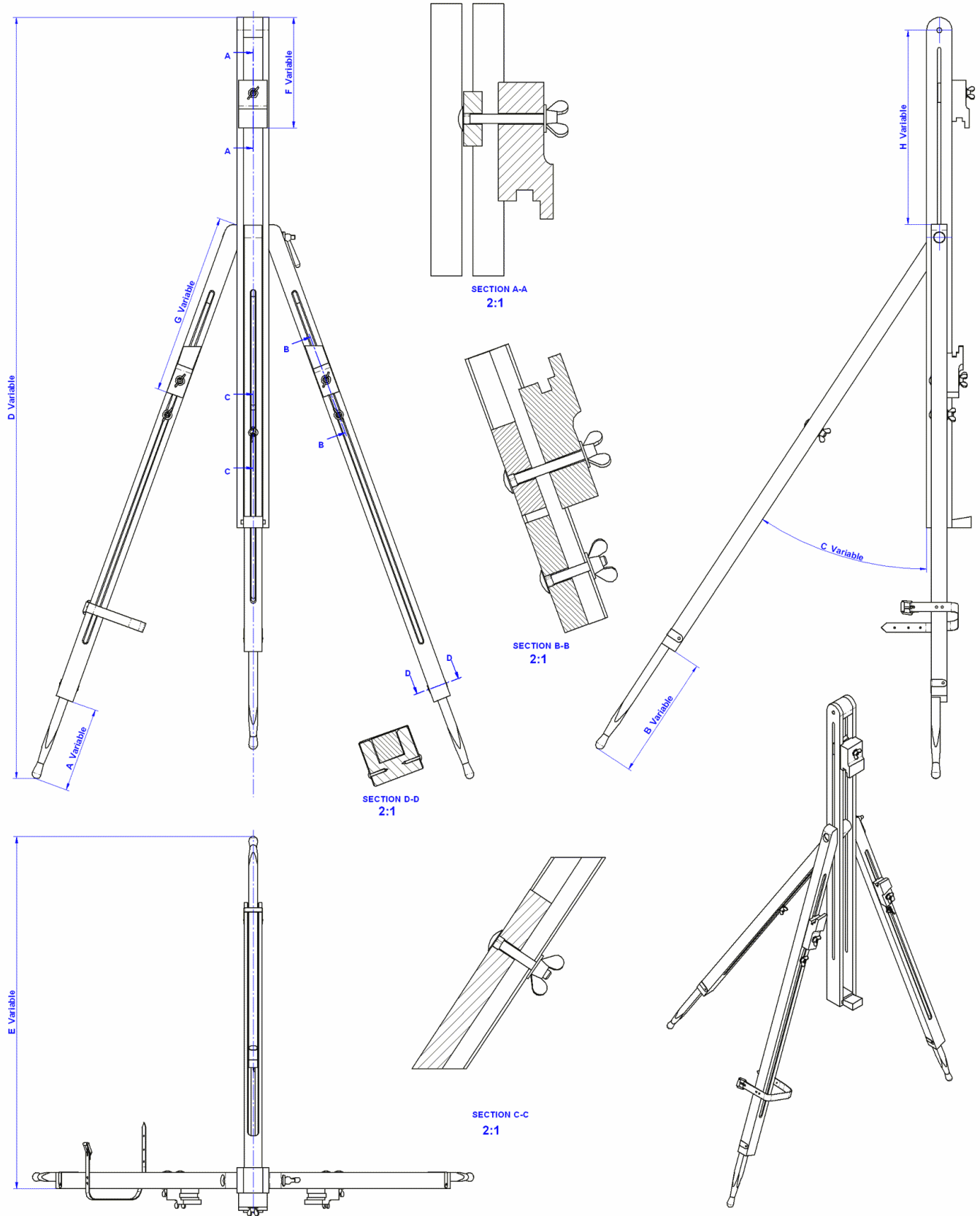
**NOTE:** The measurements within this text and 2D documentation are given both in millimeters and inches (in brackets).

Main Assembly - Subassembly list

Item Number	Title	Quantity
1	Body	1
2	Leg	1
3	Leg Mirror	1
4	Back Leg	1
5	Bolt M6 x 110mm	1
6	Rivet Washer D6mm	2
7	Ball Handle M6	1
8	Tack D1.4 x 10mm	2
9	Belt	1

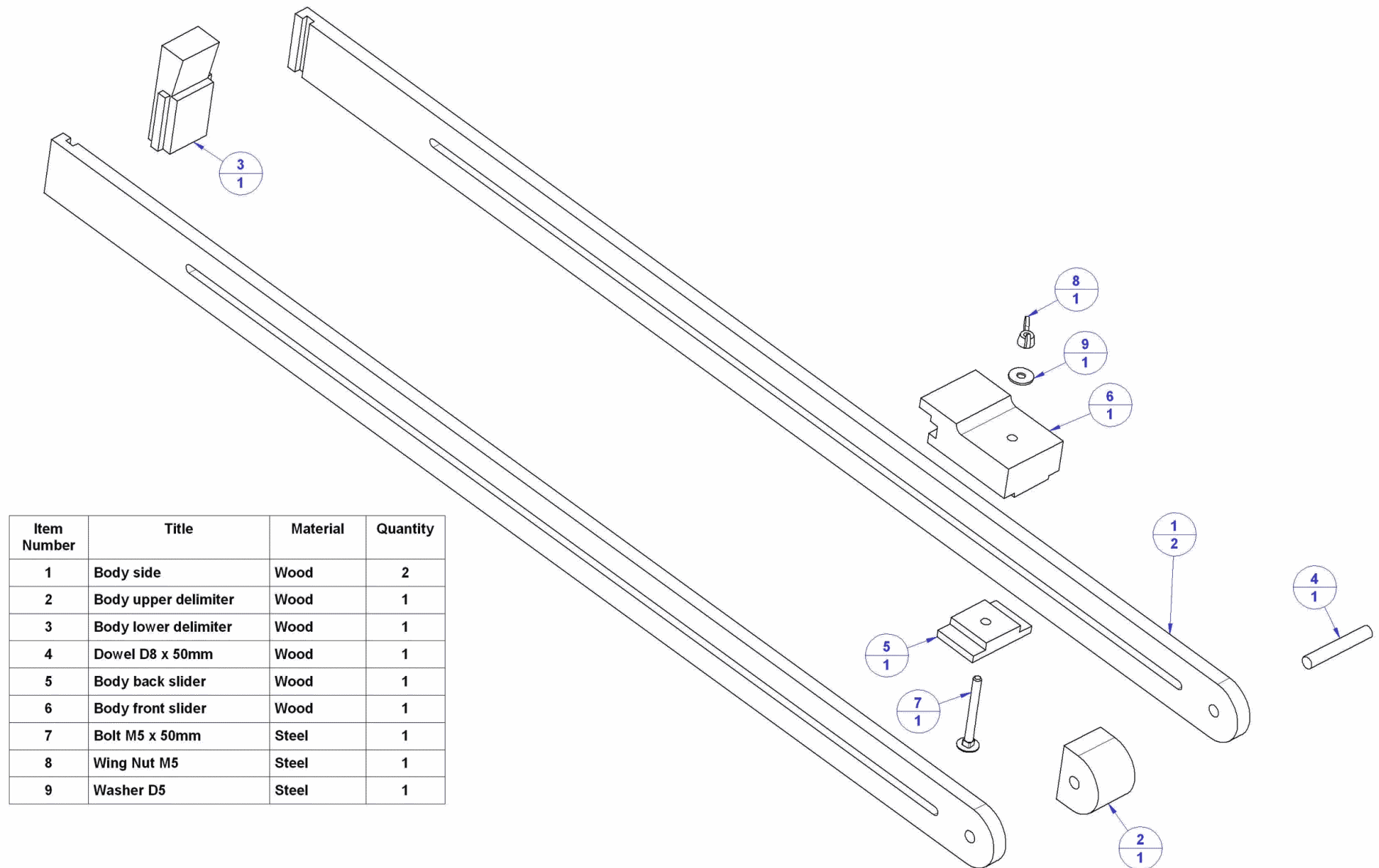


Main Assembly Drawing



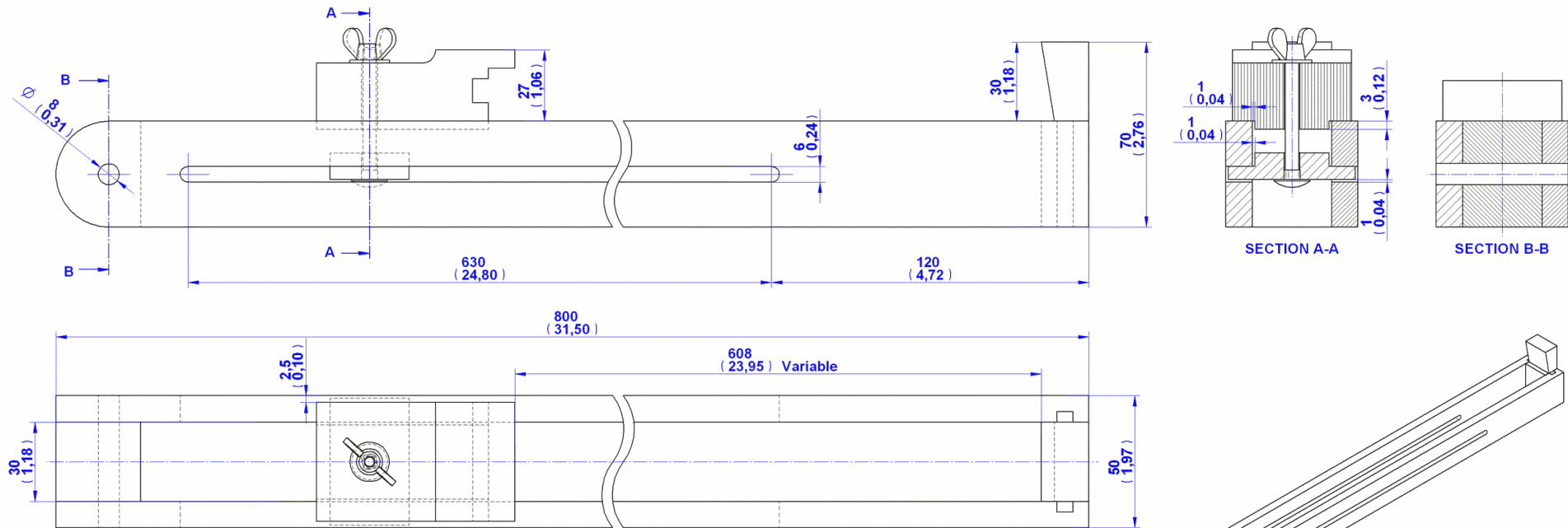
## Body Subassembly

### Parts List

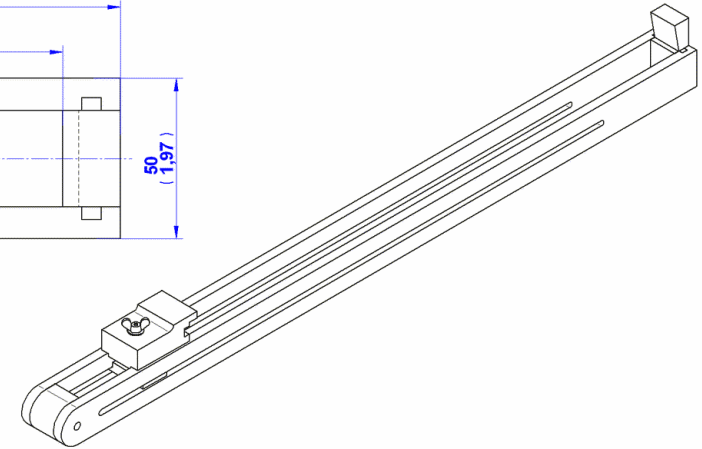


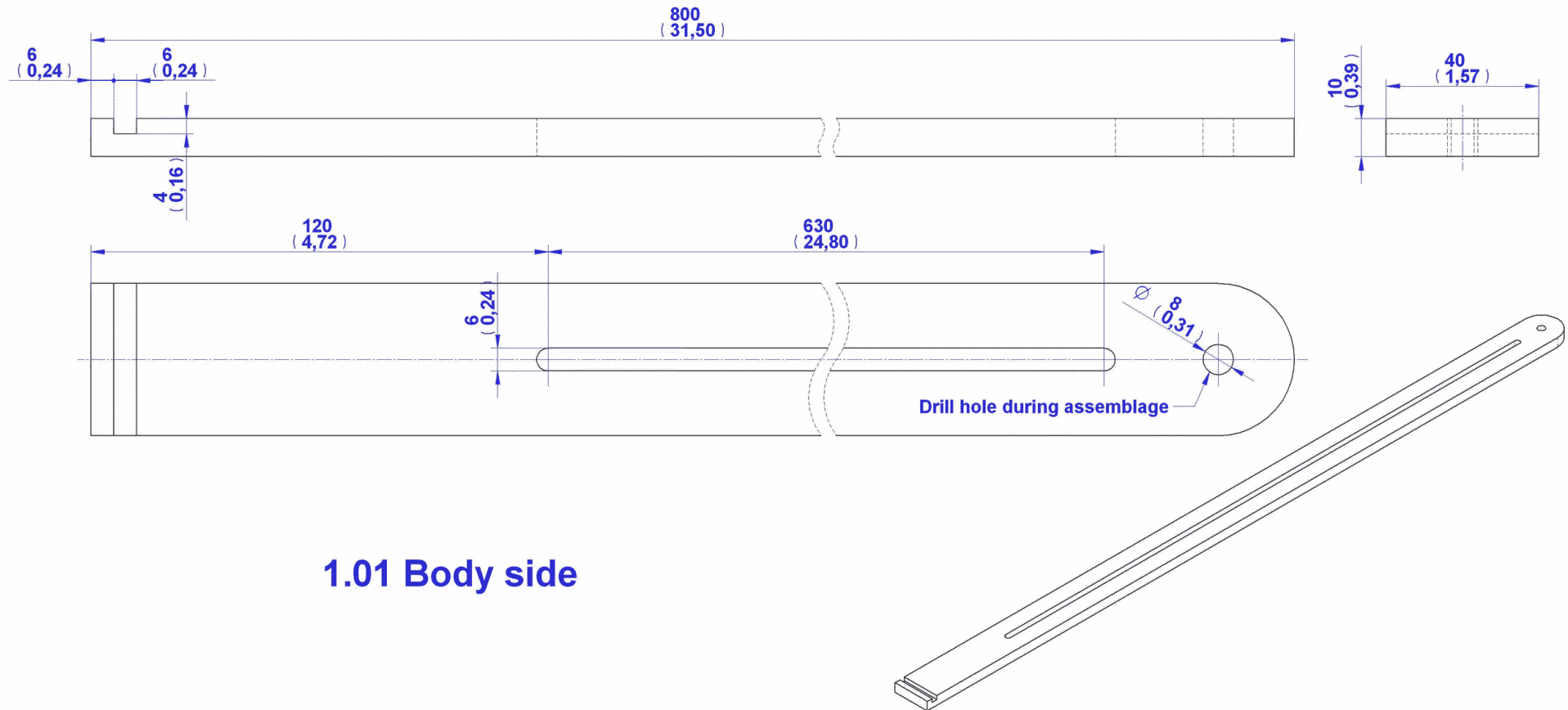
Item Number	Title	Material	Quantity
1	Body side	Wood	2
2	Body upper delimiter	Wood	1
3	Body lower delimiter	Wood	1
4	Dowel D8 x 50mm	Wood	1
5	Body back slider	Wood	1
6	Body front slider	Wood	1
7	Bolt M5 x 50mm	Steel	1
8	Wing Nut M5	Steel	1
9	Washer D5	Steel	1

2D Drawing

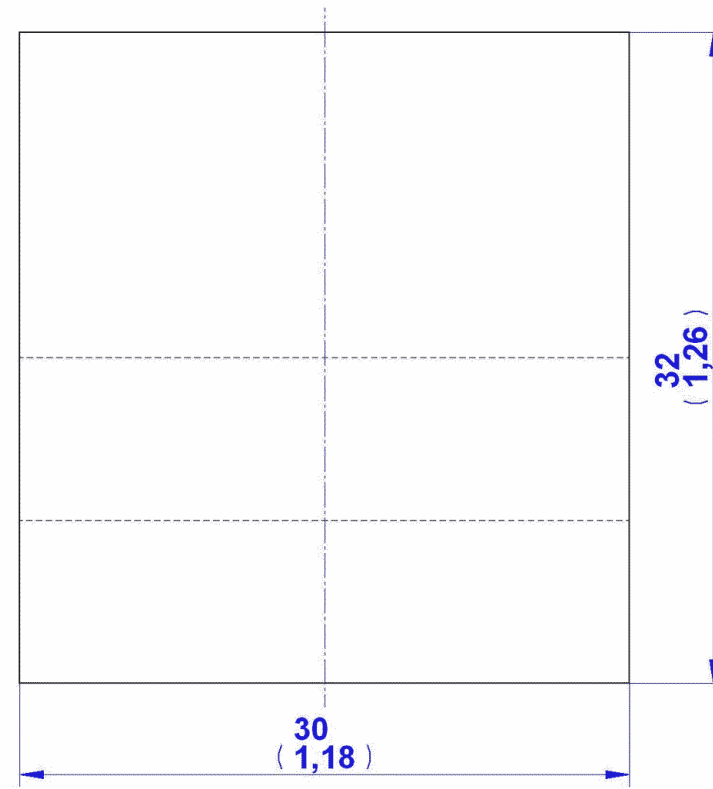
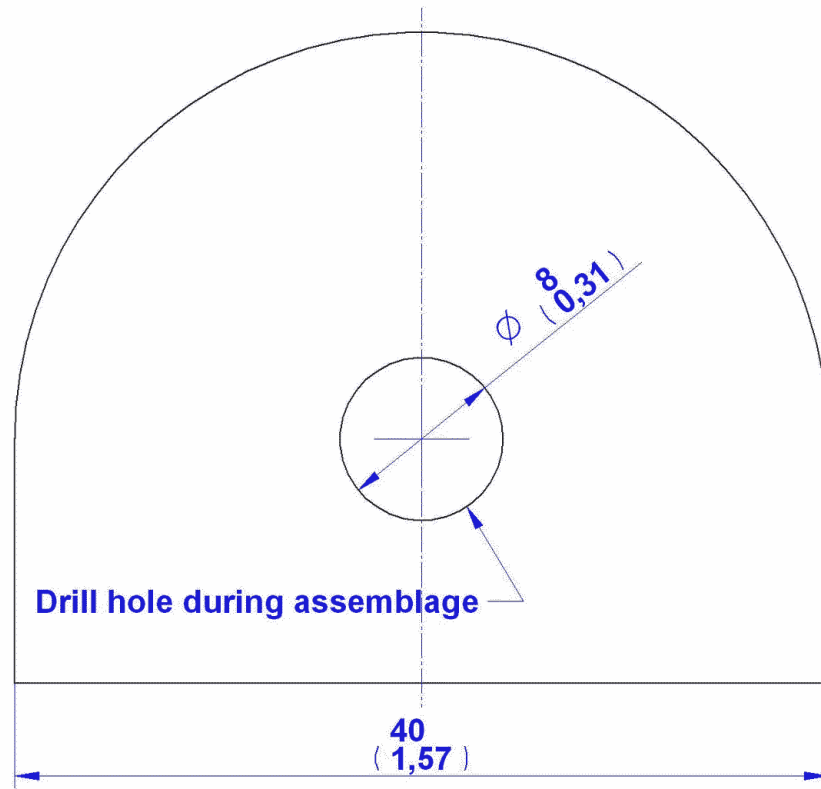


1. Body subassembly

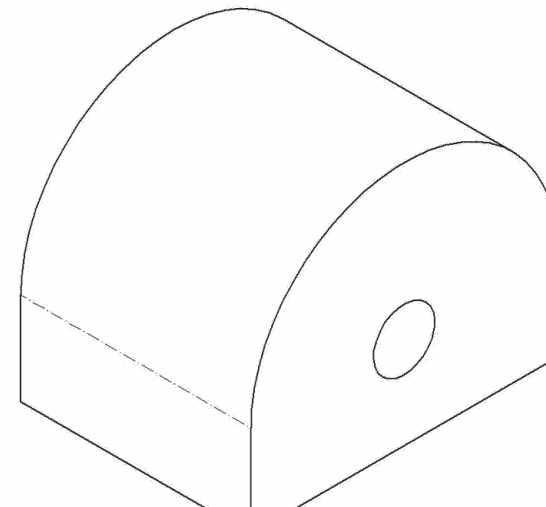




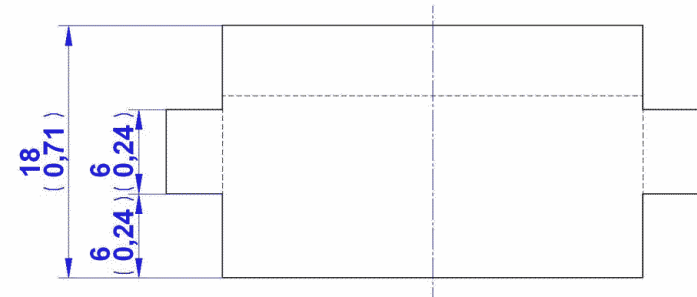
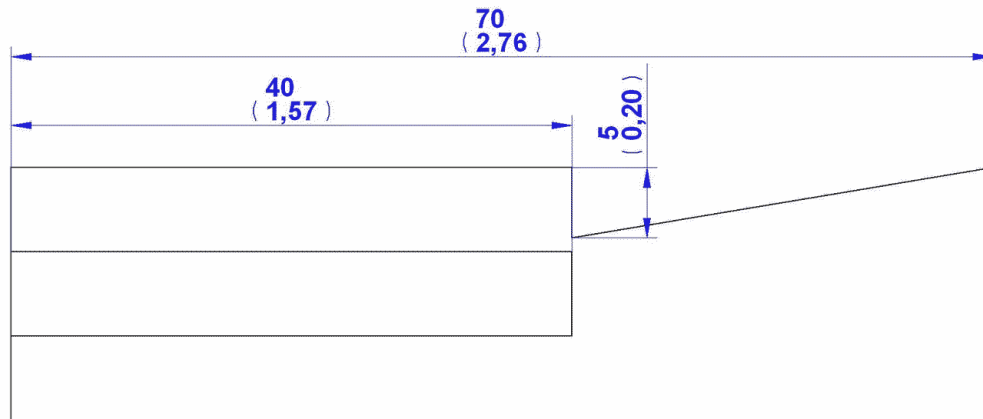
**1.01 Body side**



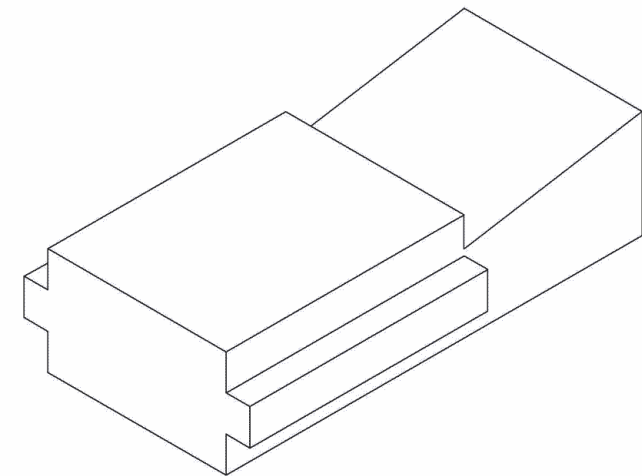
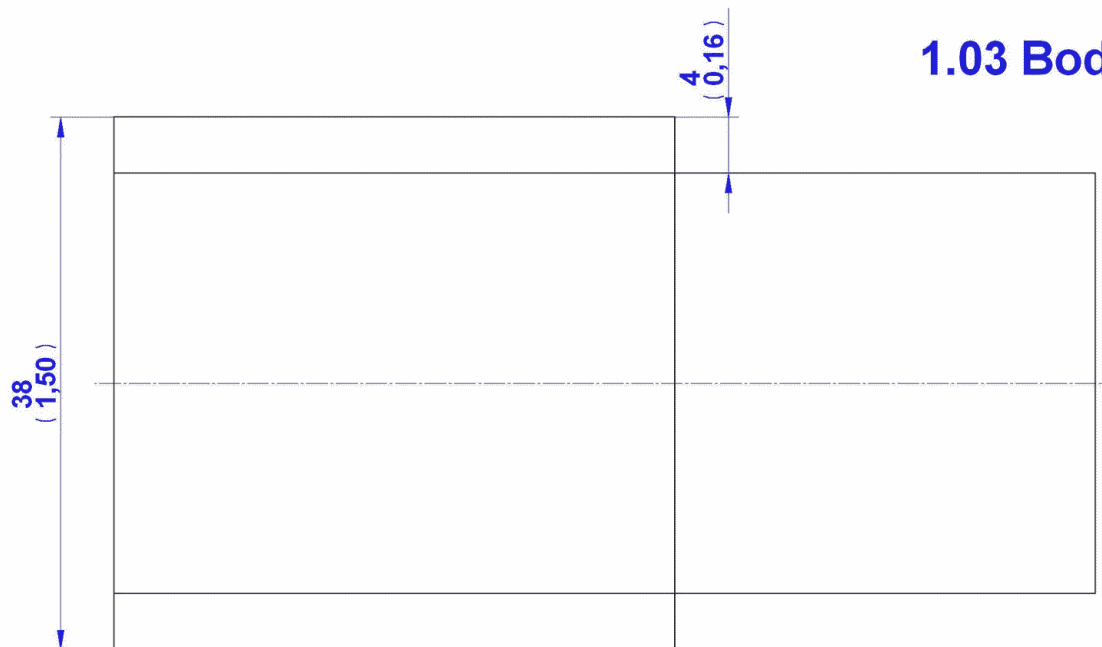
### 1.02 Body upper delimiter

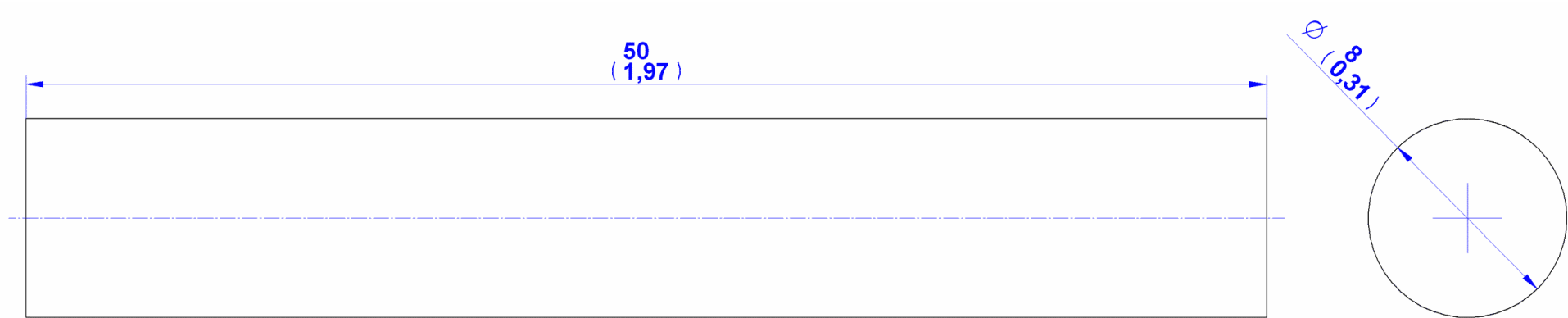




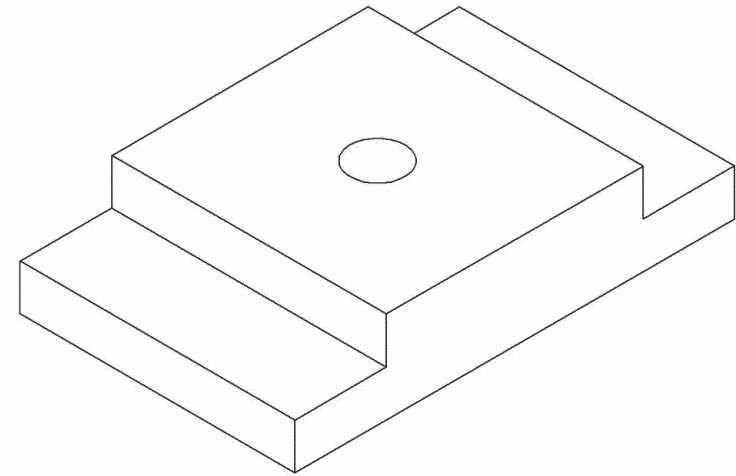
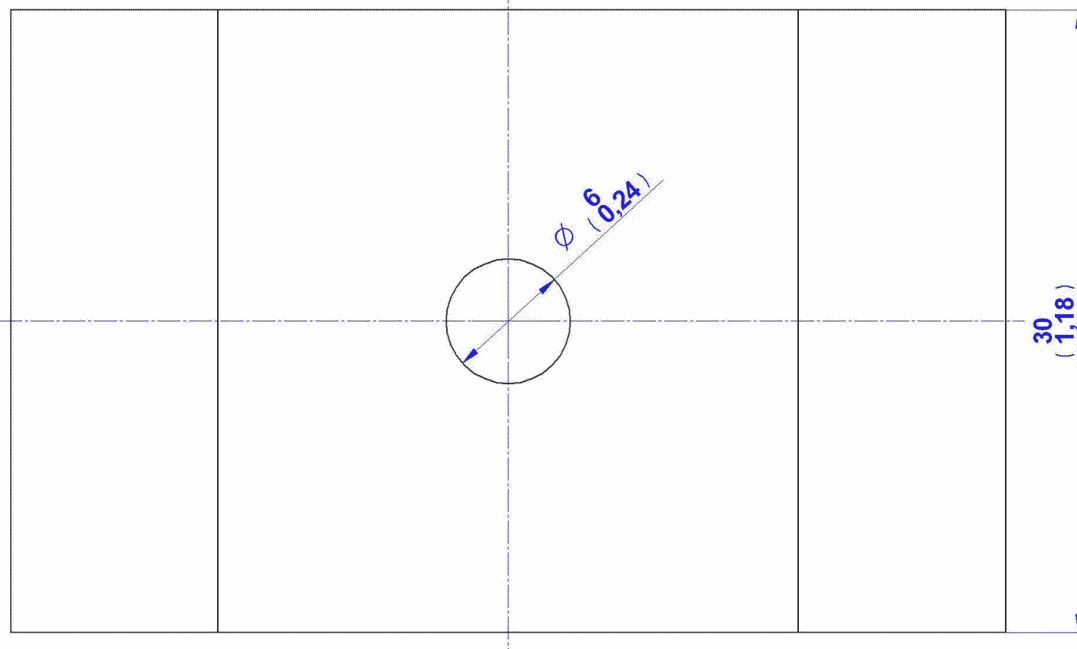
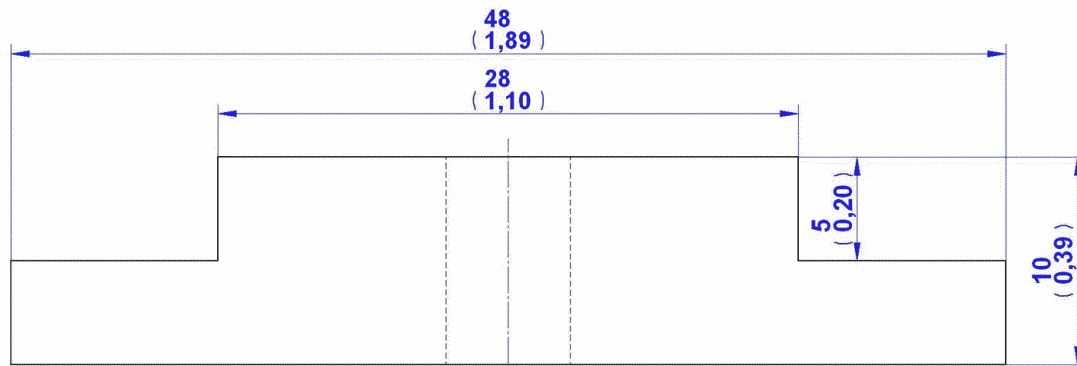


### 1.03 Body lower delimiter

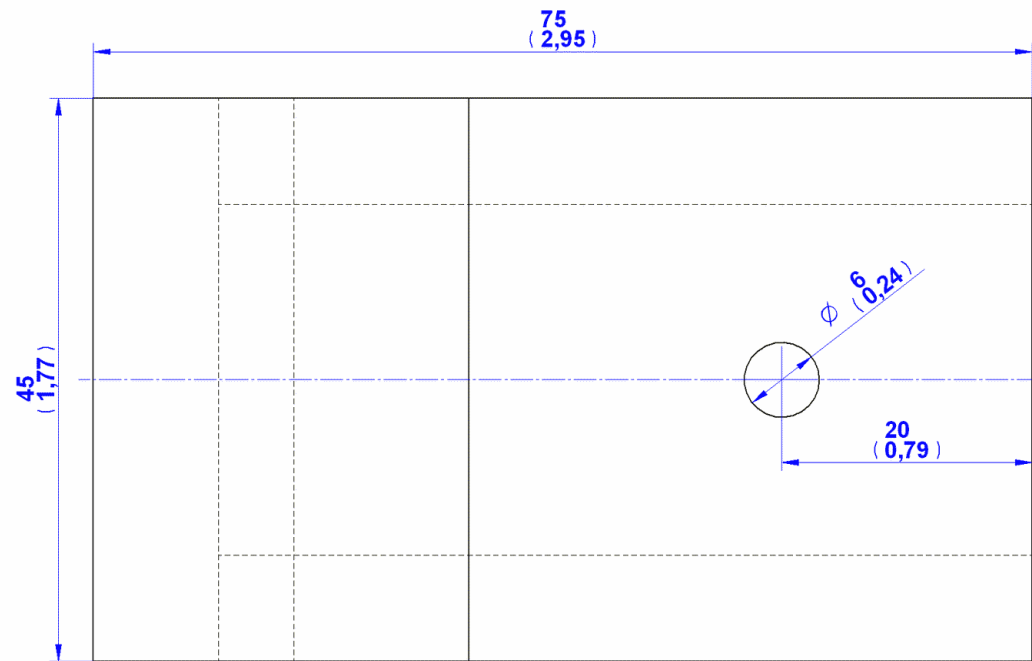
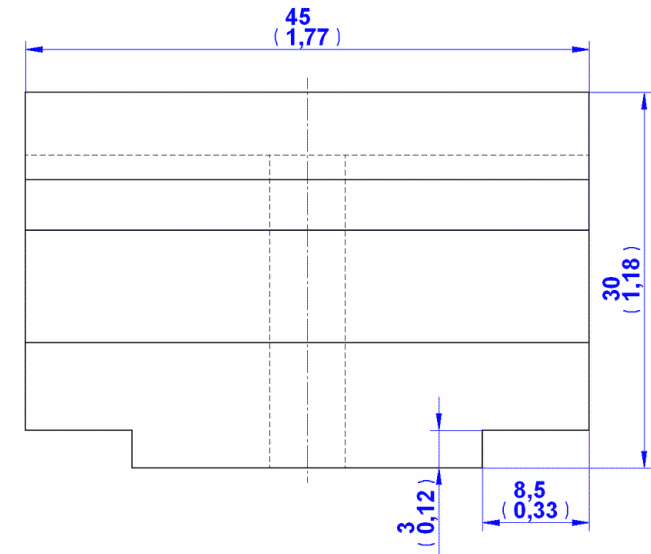
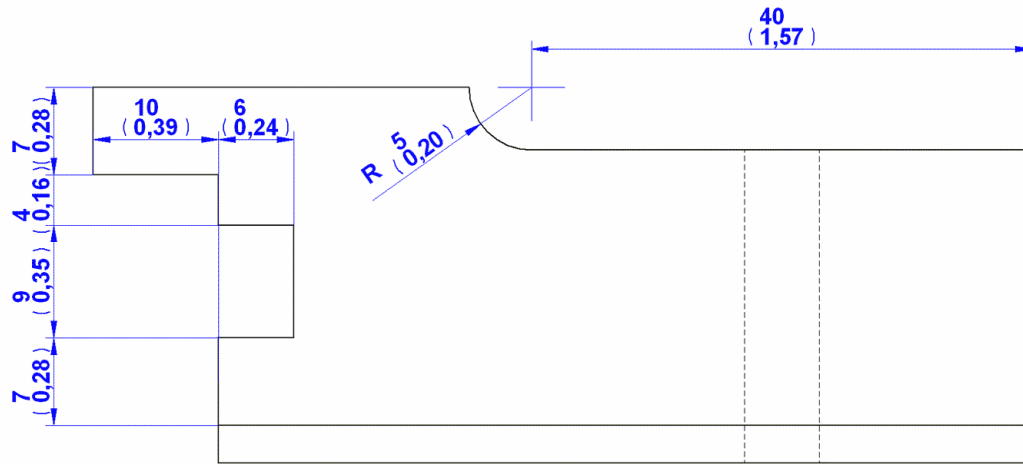




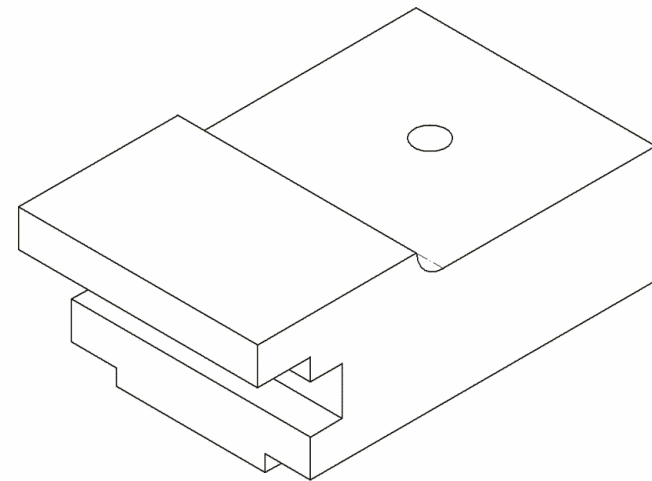
**1.04 Dowel D8 x 50mm**



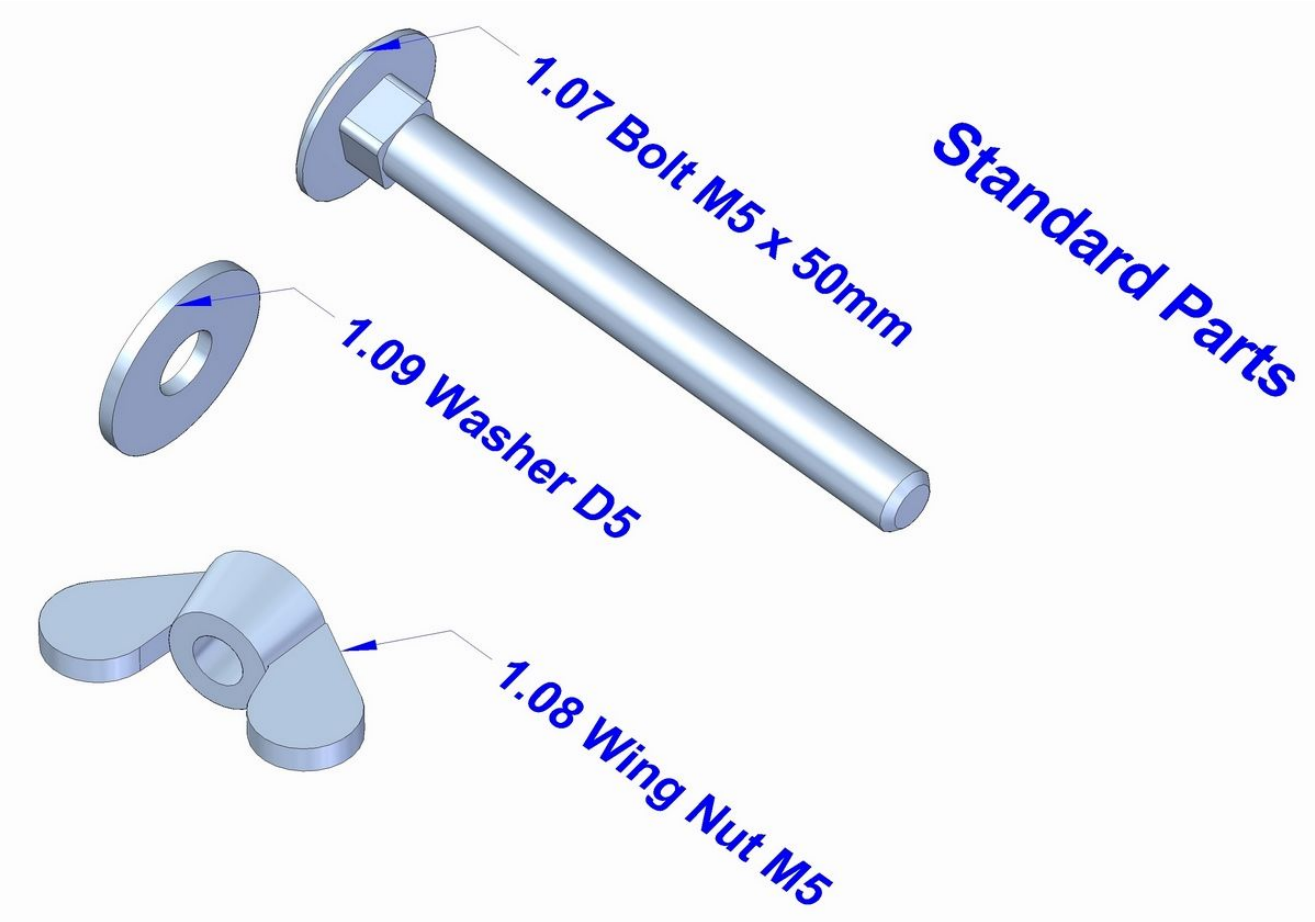
## 1.05 Body back slider



### 1.06 Body front slider

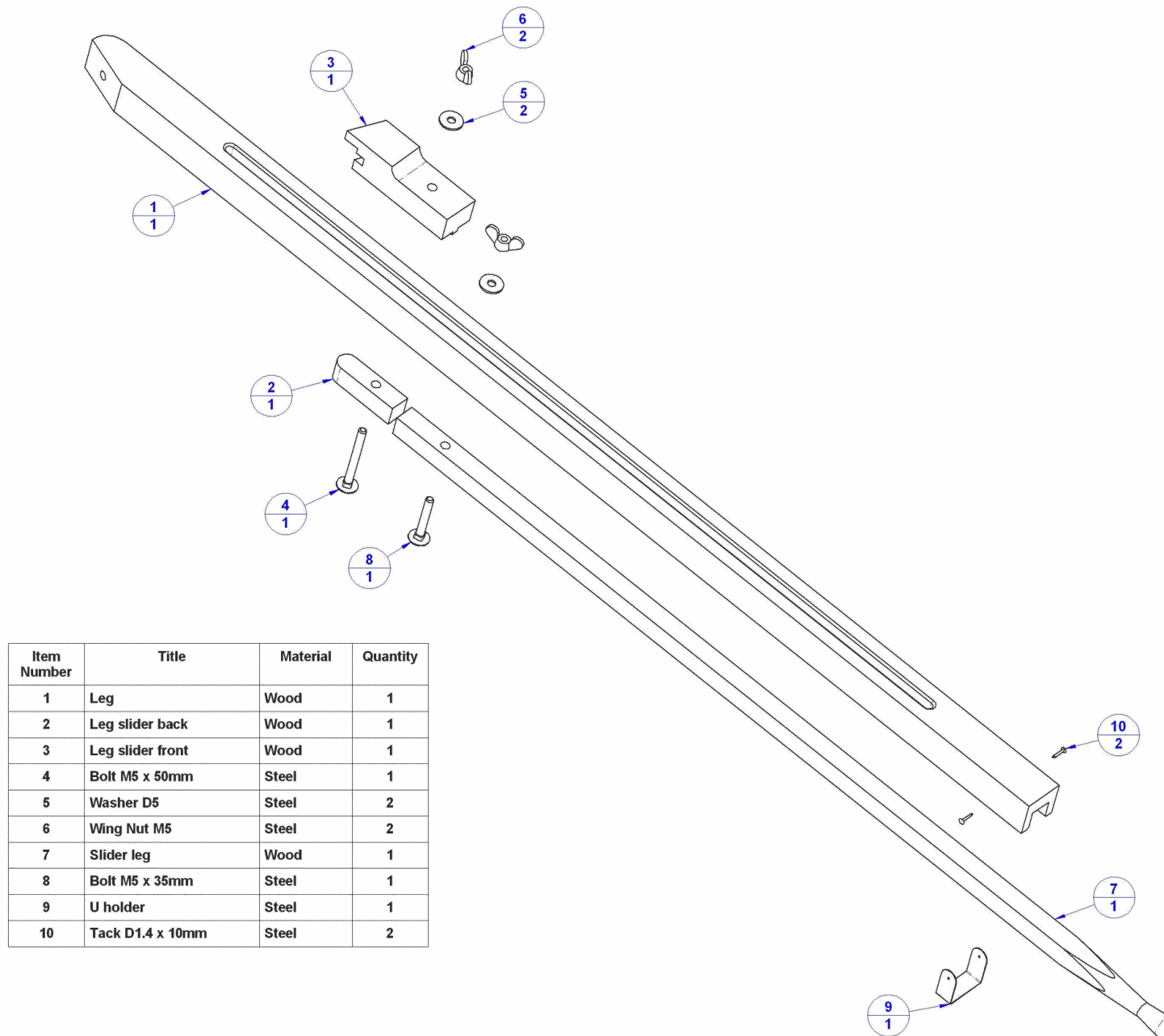


Body subassembly Standard Parts



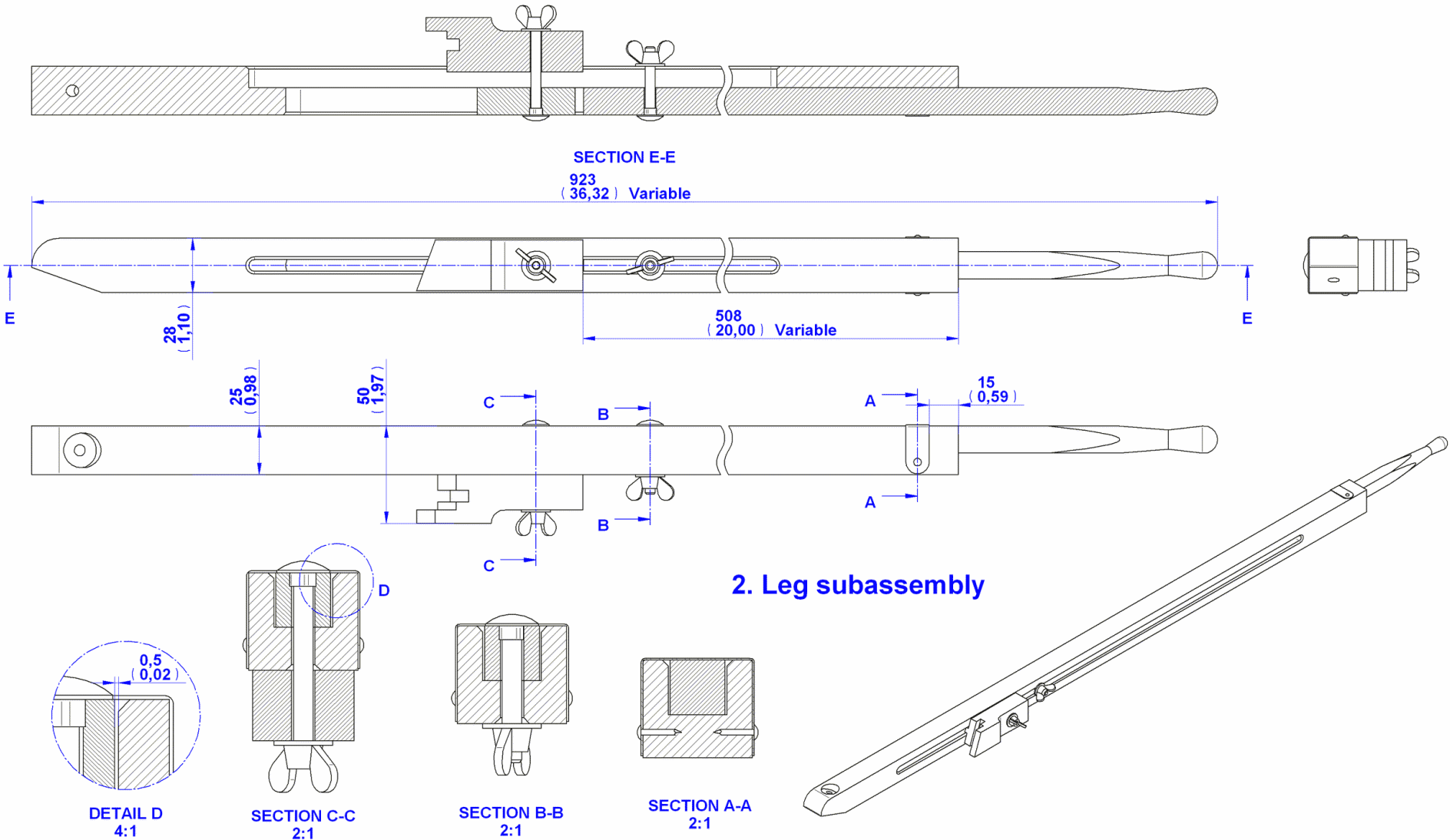
## Leg Subassembly

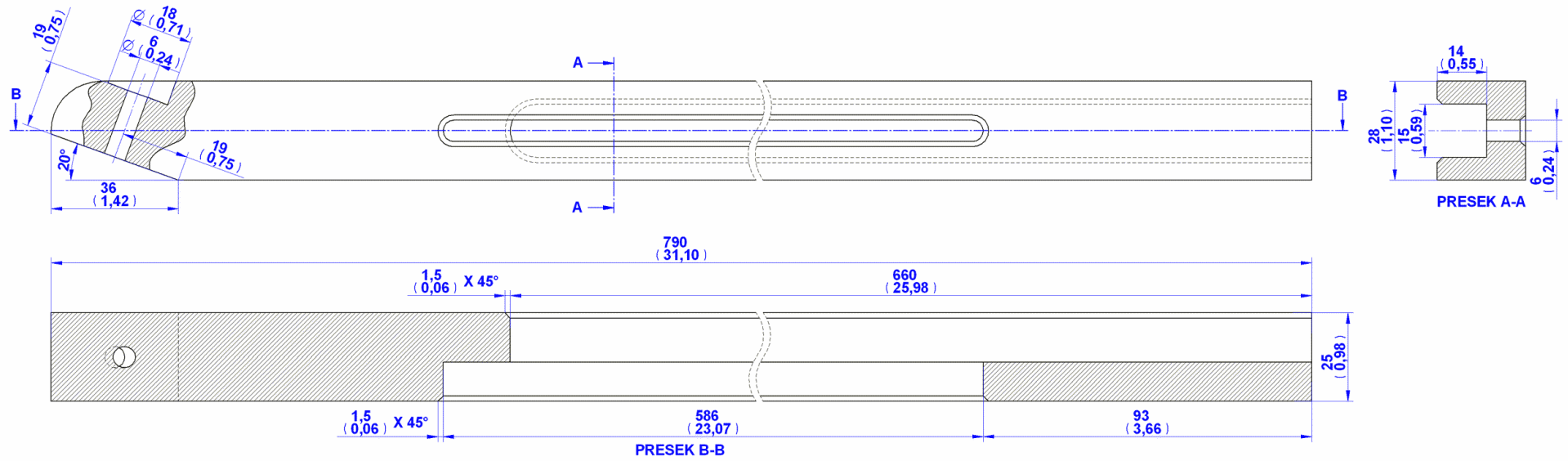
### Parts List



Item Number	Title	Material	Quantity
1	Leg	Wood	1
2	Leg slider back	Wood	1
3	Leg slider front	Wood	1
4	Bolt M5 x 50mm	Steel	1
5	Washer D5	Steel	2
6	Wing Nut M5	Steel	2
7	Slider leg	Wood	1
8	Bolt M5 x 35mm	Steel	1
9	U holder	Steel	1
10	Tack D1.4 x 10mm	Steel	2

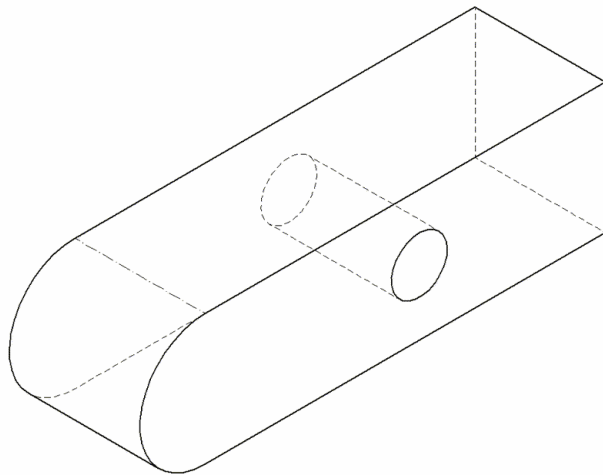
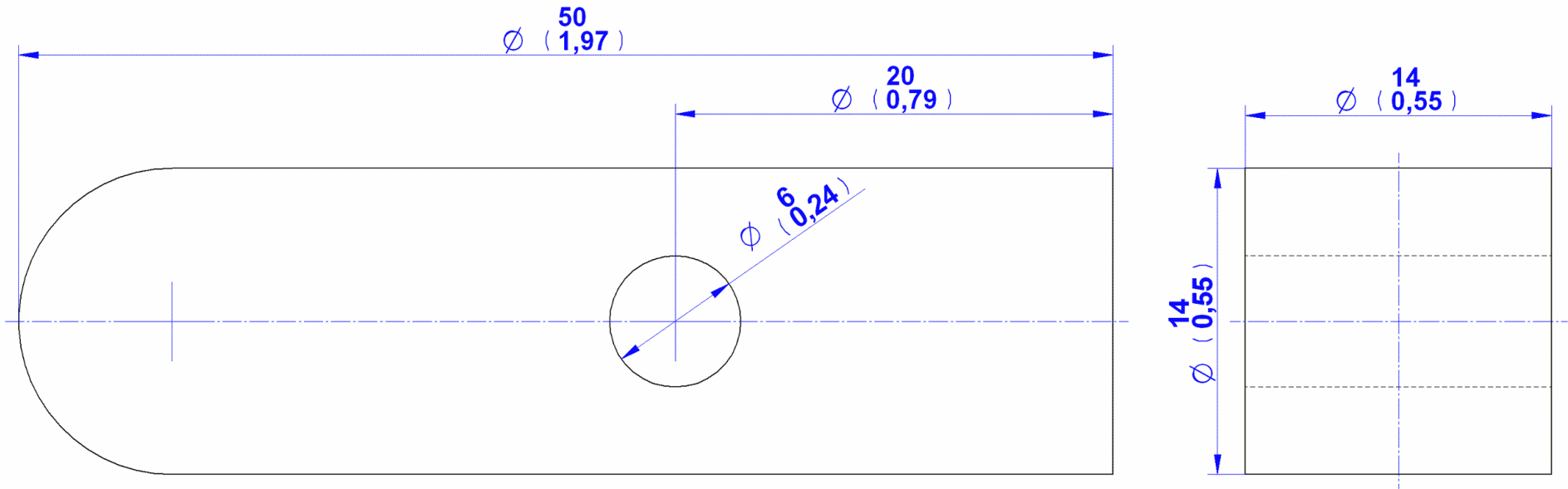
2D Drawing



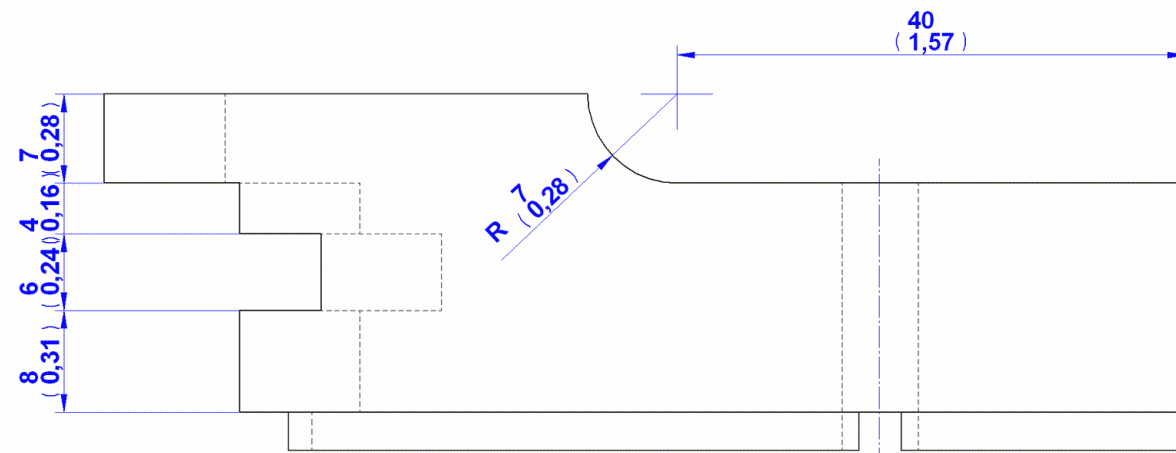
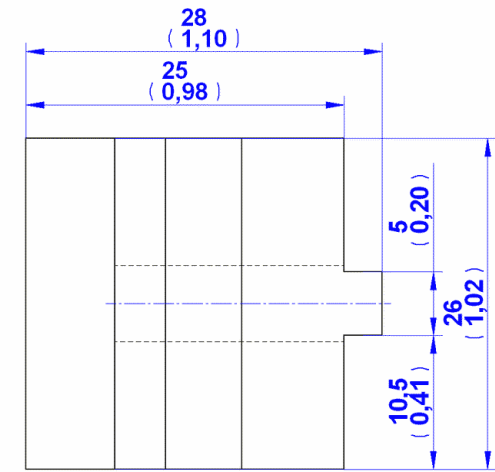
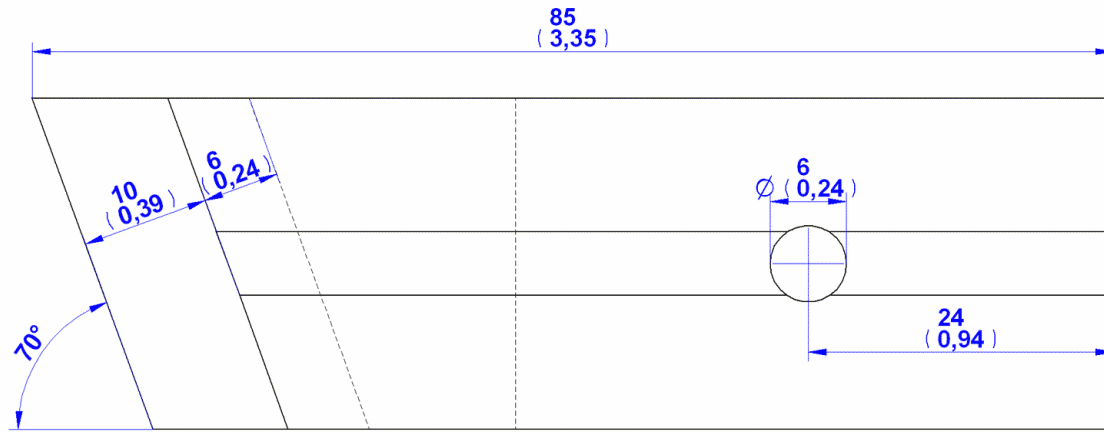


## 2.01 Leg

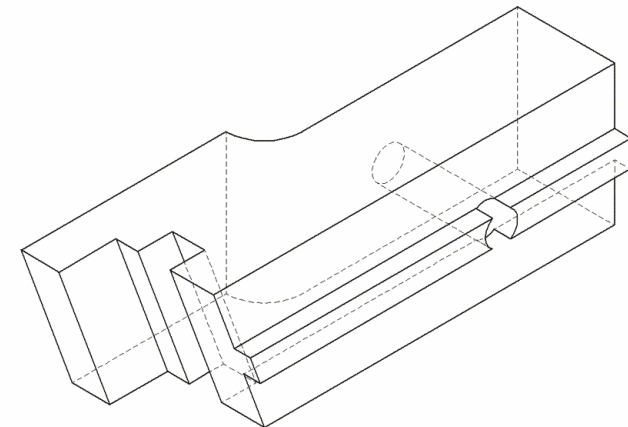


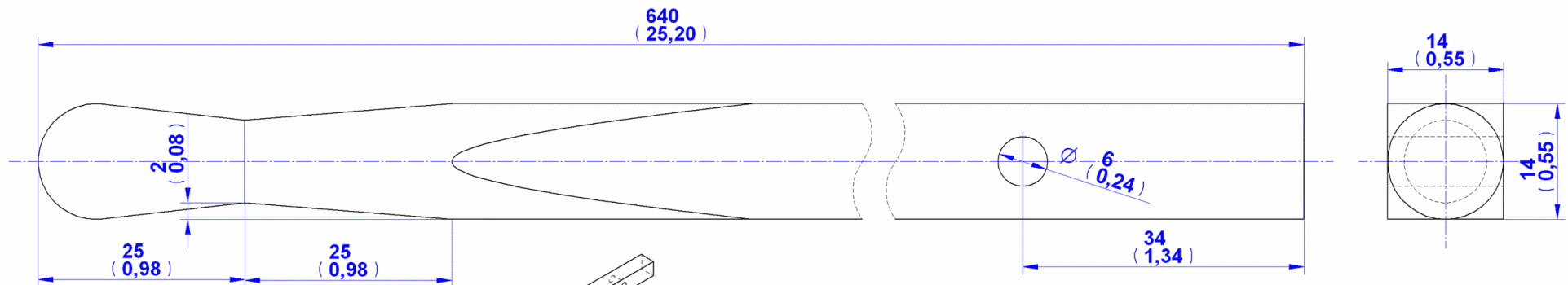


## 2.02 Leg Slider Back

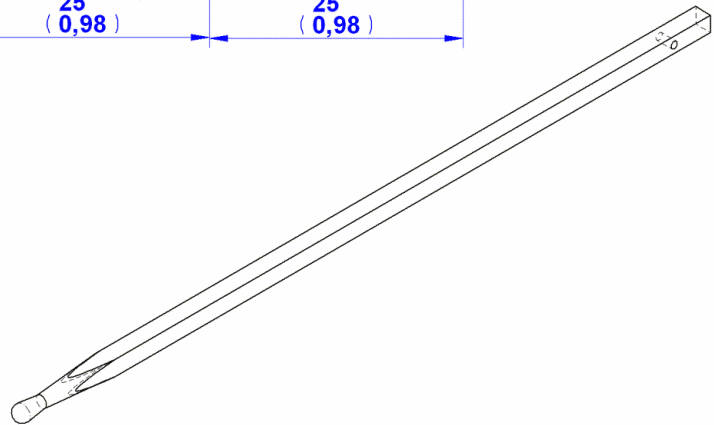


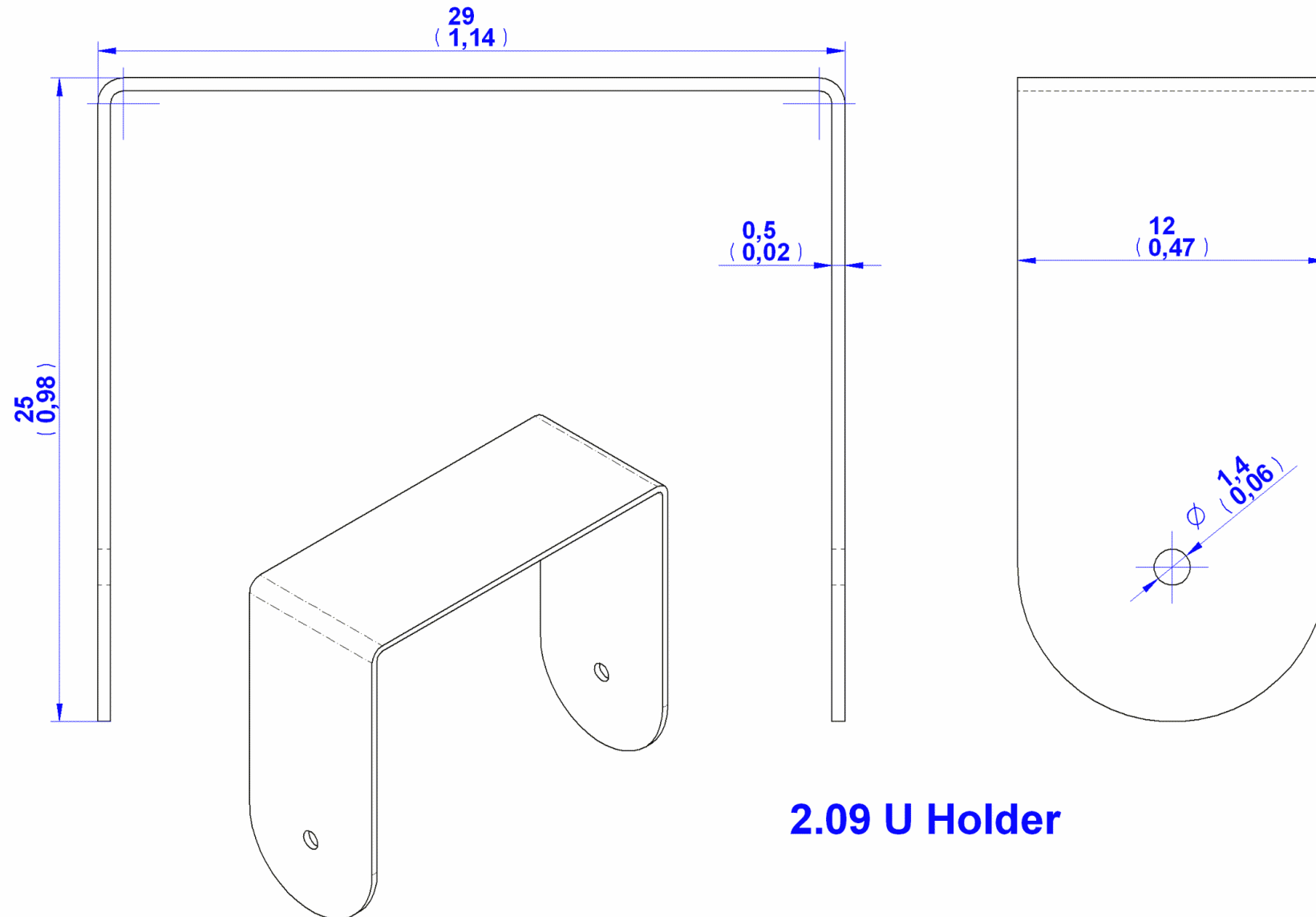
### 2.03 Leg Slider Front





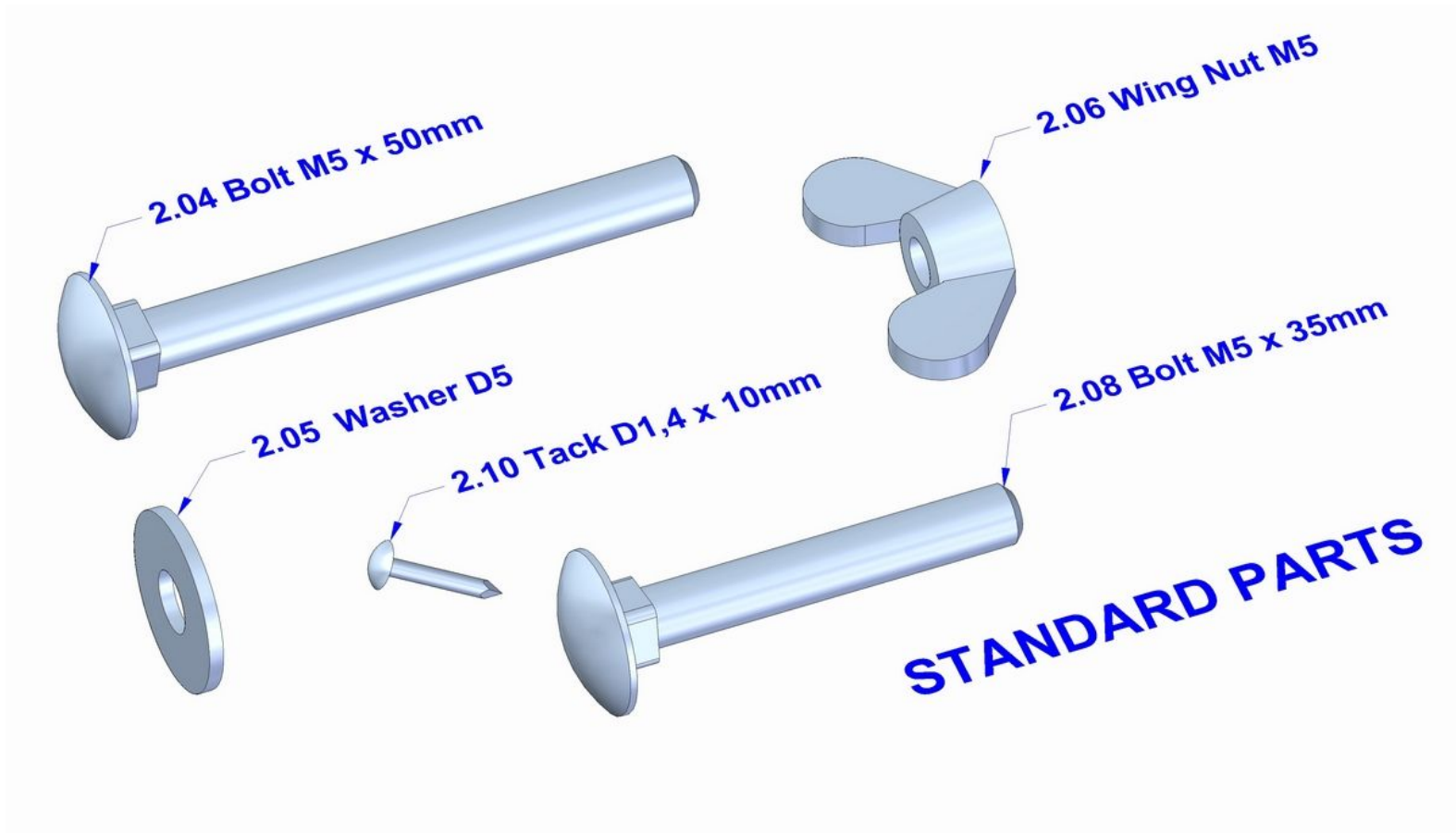
## 2.07 Slider Leg





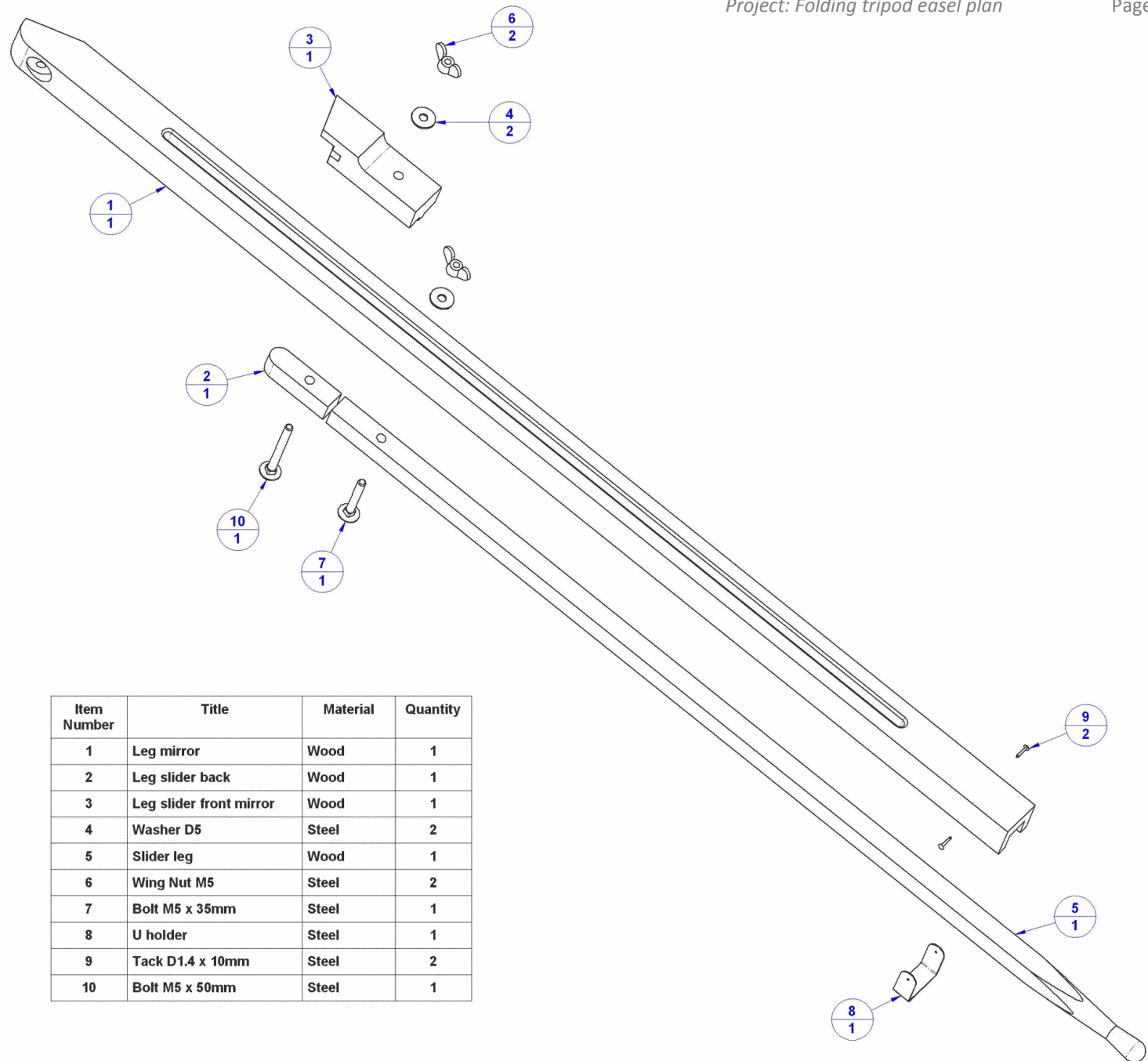
## 2.09 U Holder

Leg Subassembly Standard Parts



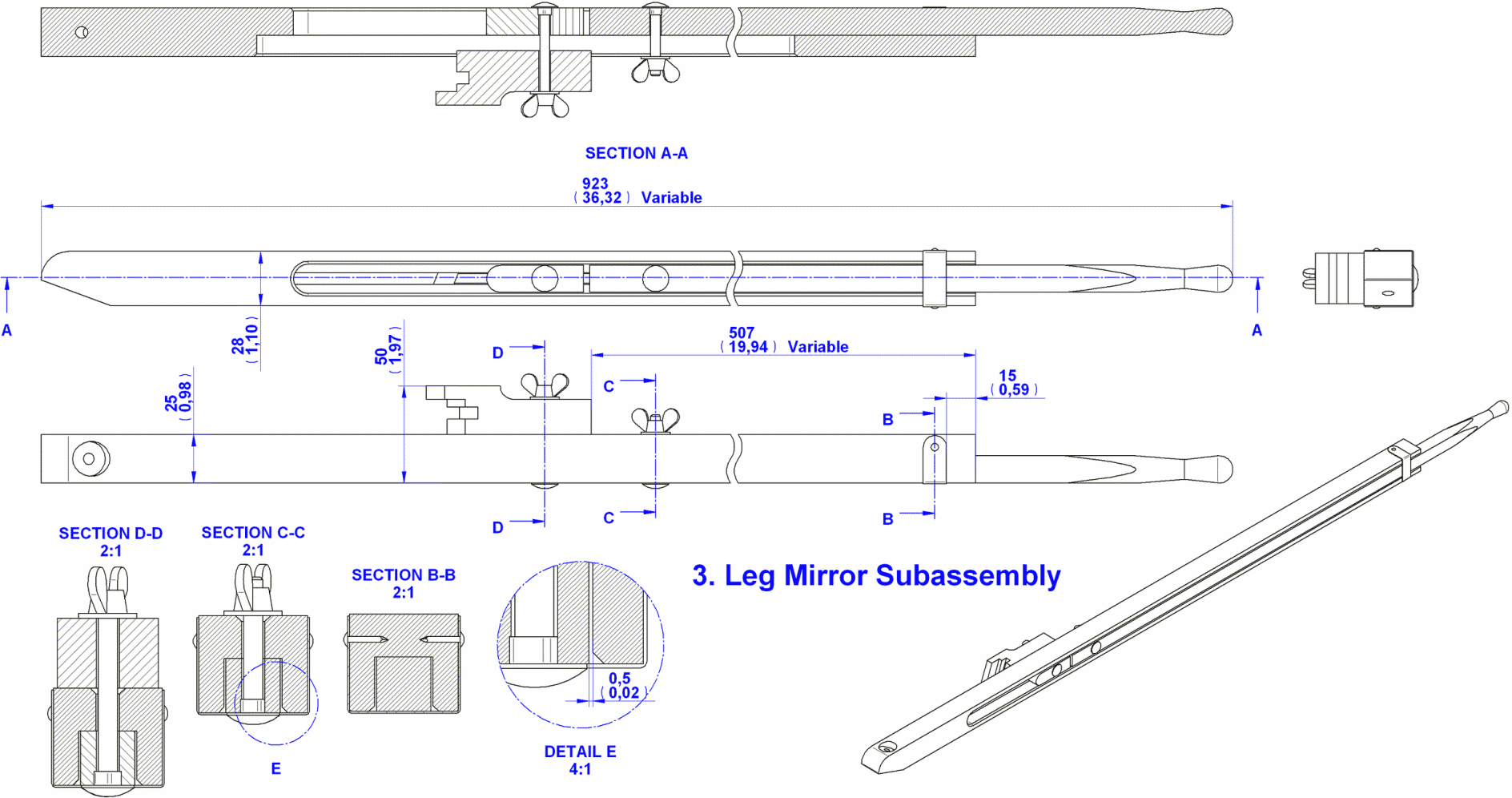
## Leg Mirror Subassembly

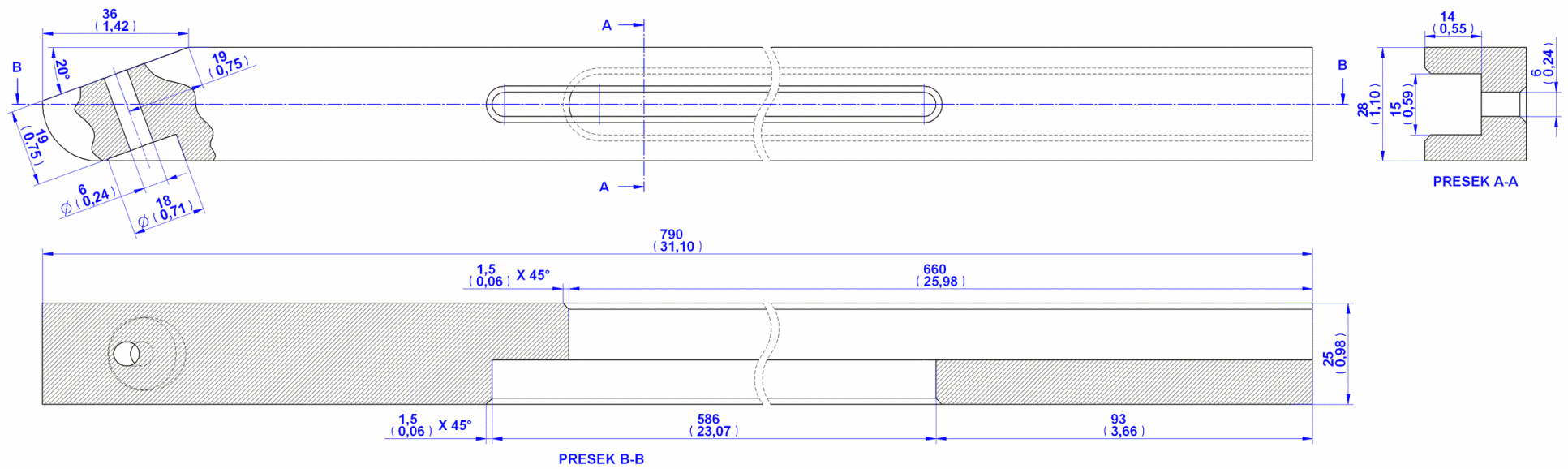
### Parts List



Item Number	Title	Material	Quantity
1	Leg mirror	Wood	1
2	Leg slider back	Wood	1
3	Leg slider front mirror	Wood	1
4	Washer D5	Steel	2
5	Slider leg	Wood	1
6	Wing Nut M5	Steel	2
7	Bolt M5 x 35mm	Steel	1
8	U holder	Steel	1
9	Tack D1.4 x 10mm	Steel	2
10	Bolt M5 x 50mm	Steel	1

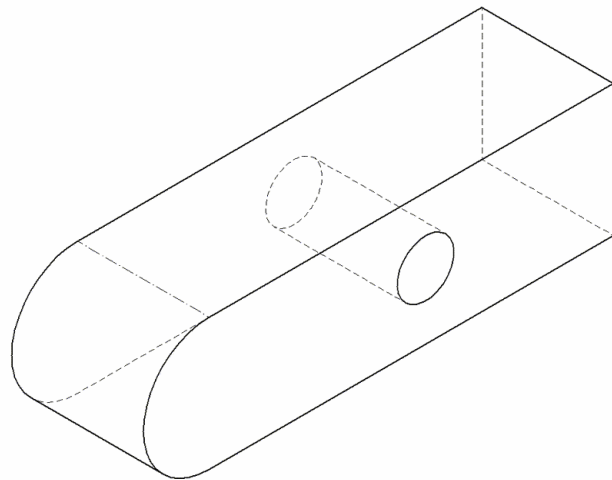
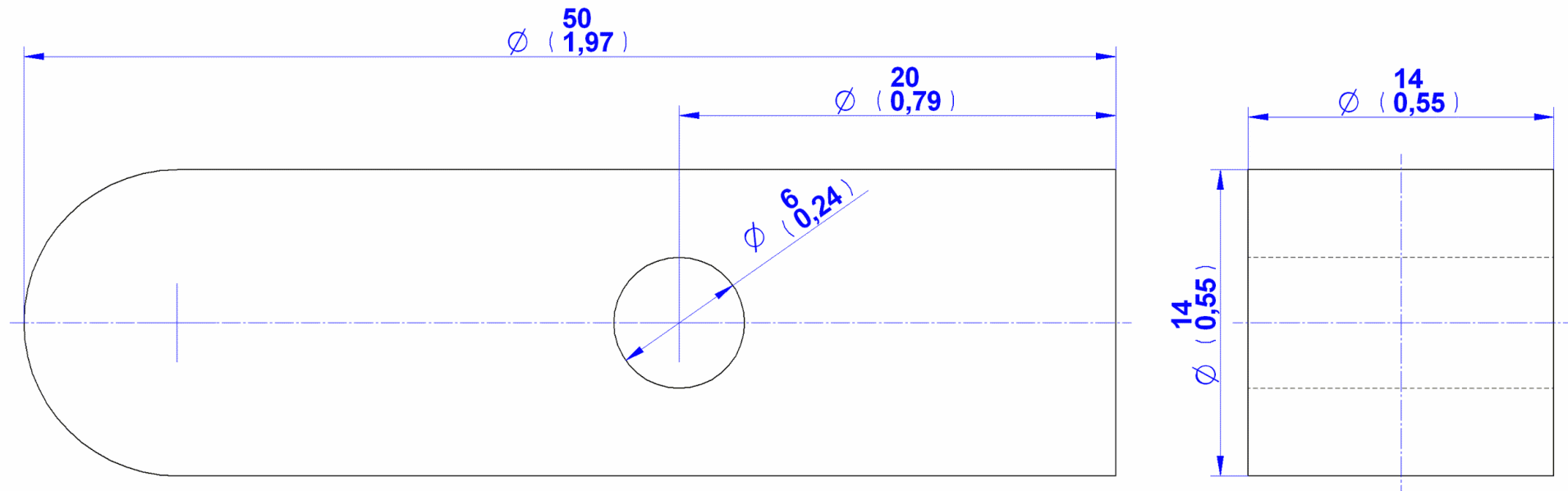
2D Drawing



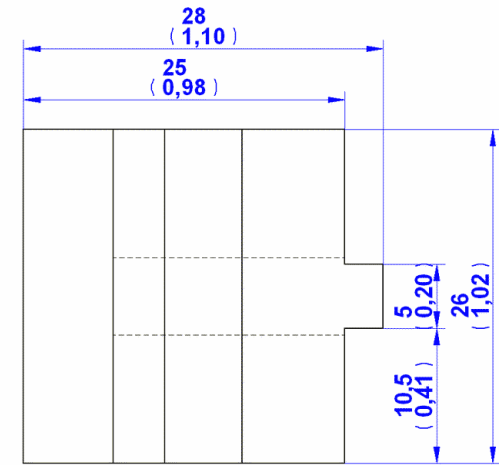
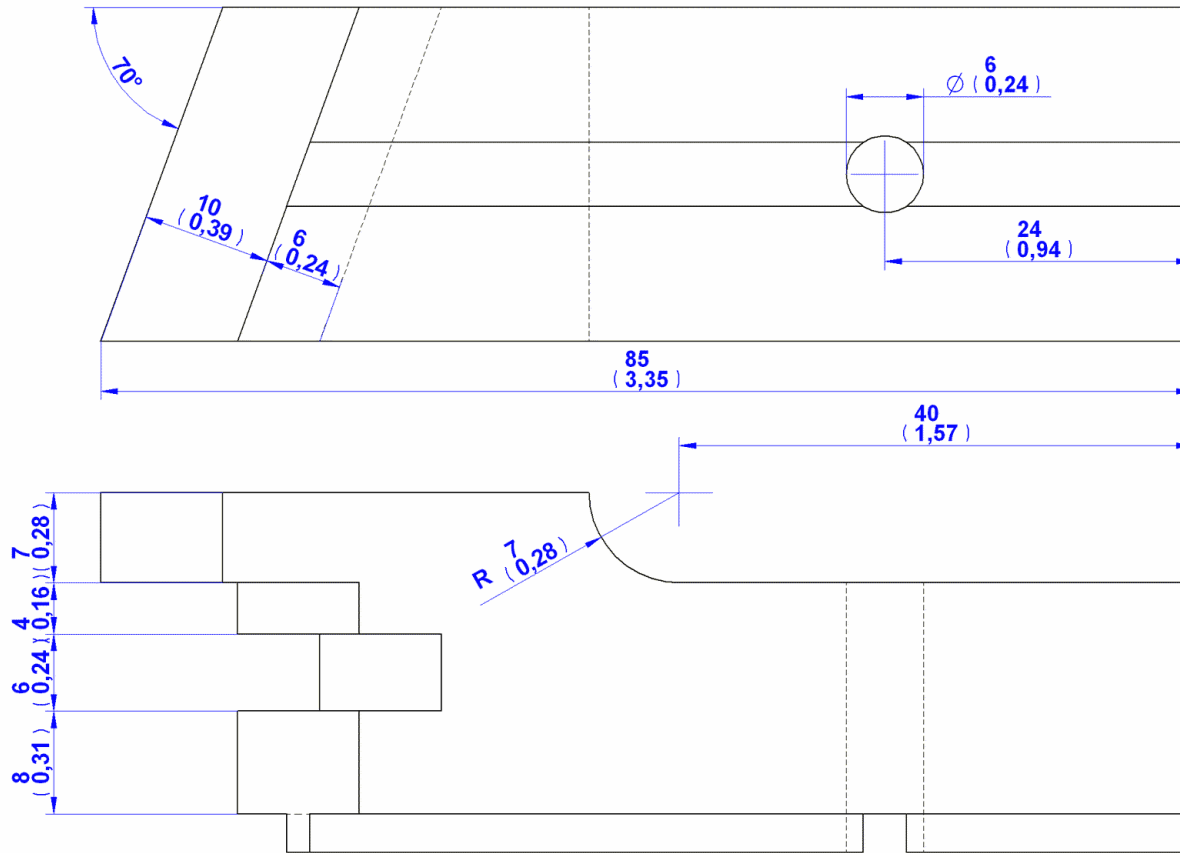


3.01 Leg Mirror

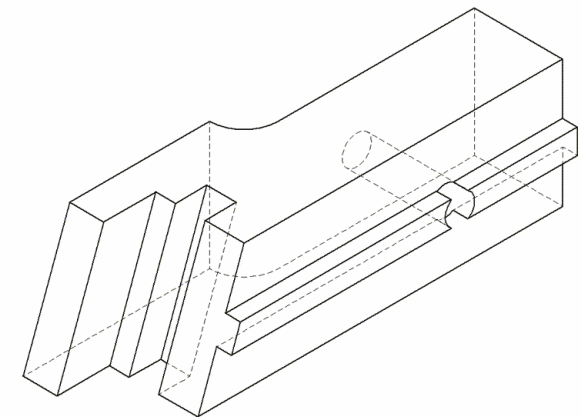


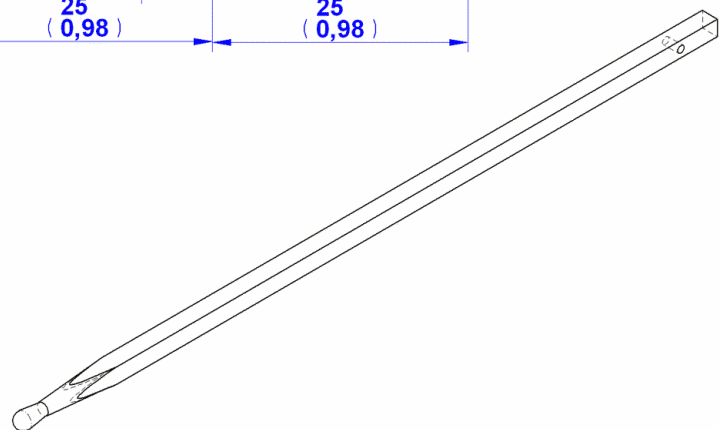
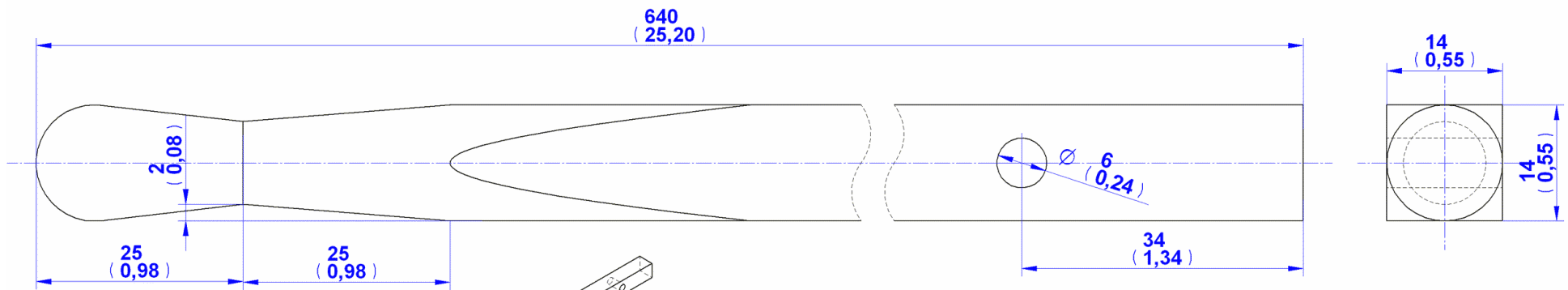


### 3.02 Leg Slider Back

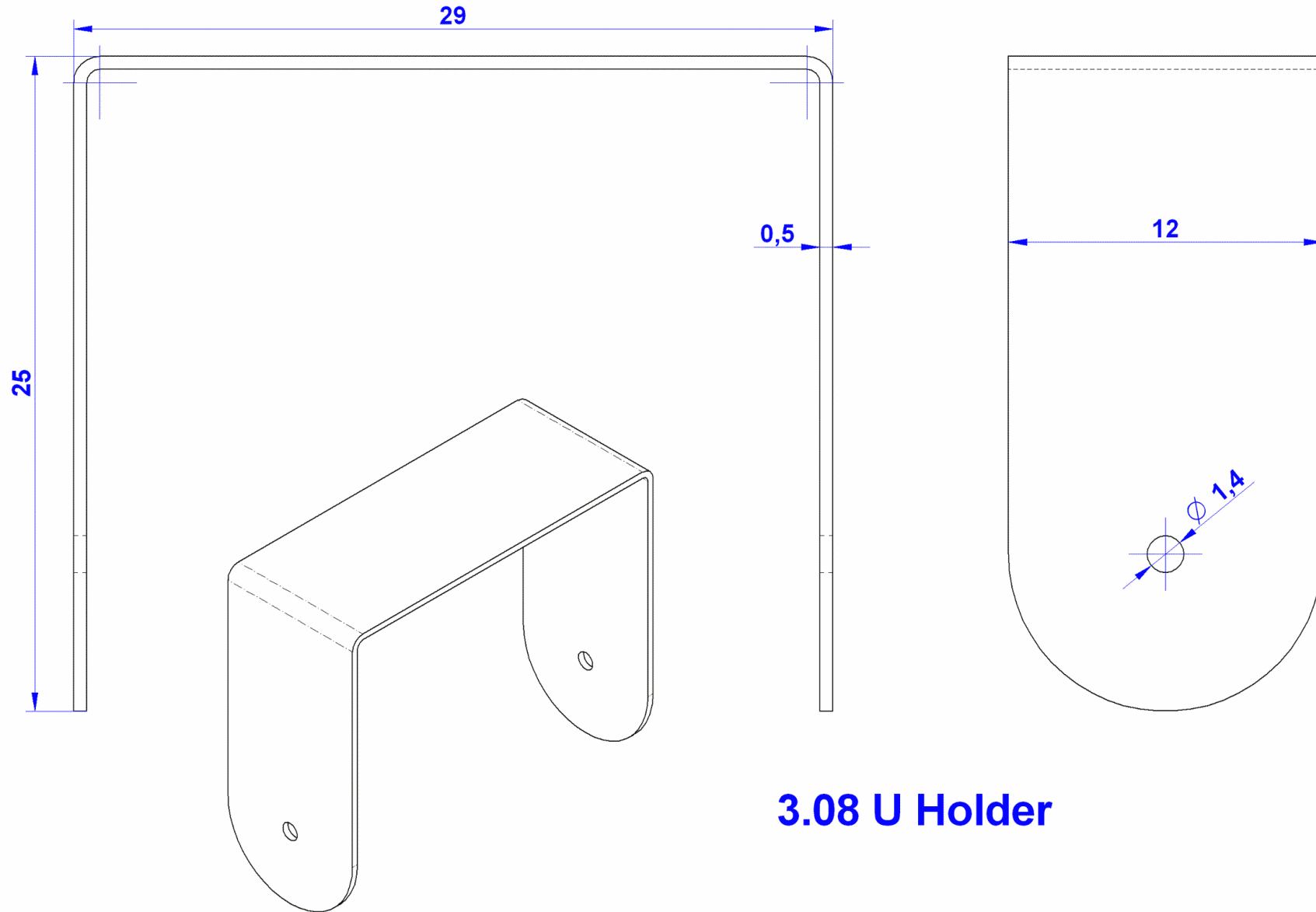


### 3.03 Leg Slider Front Mirror



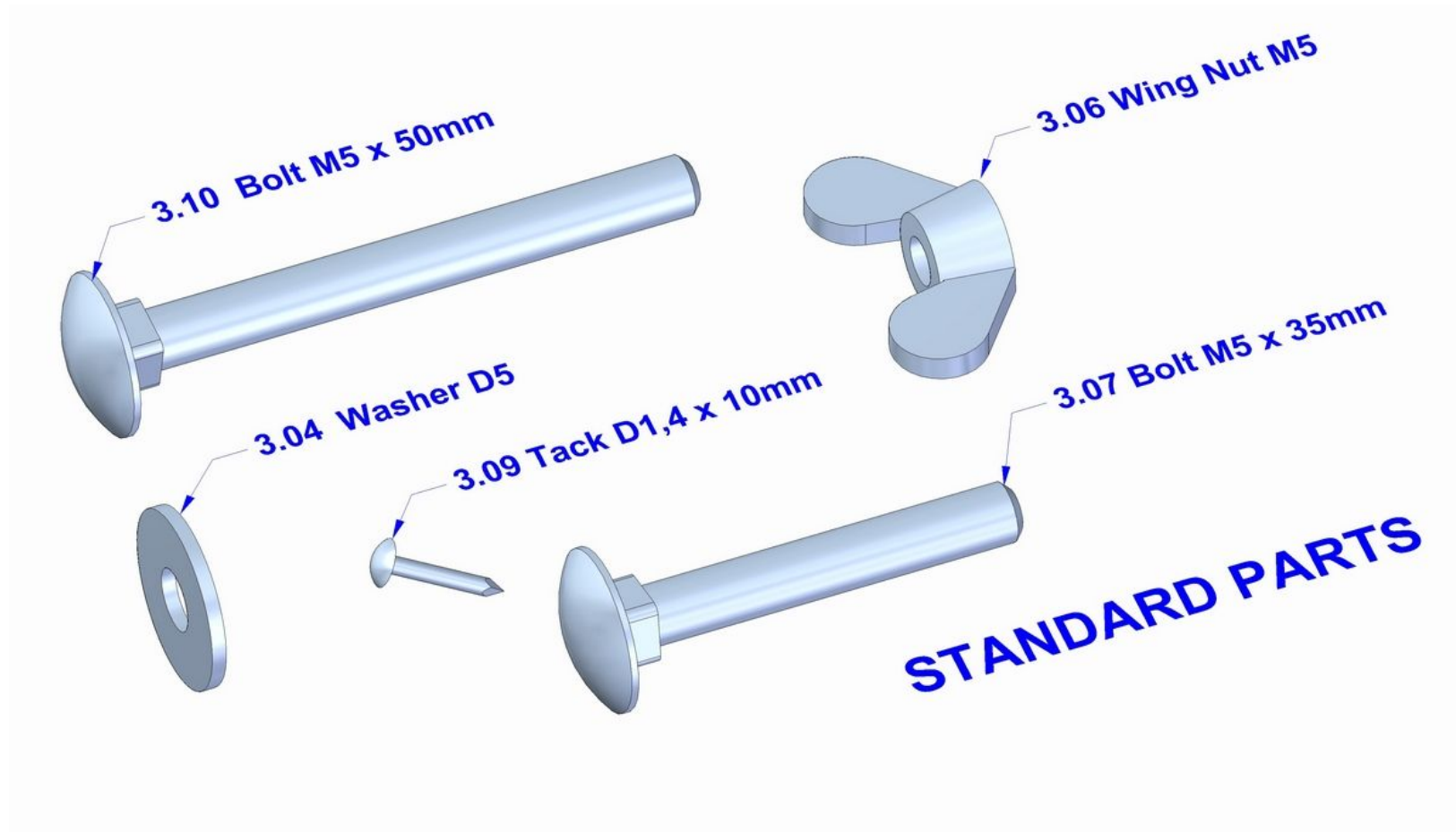


### 3.05 Slider Leg



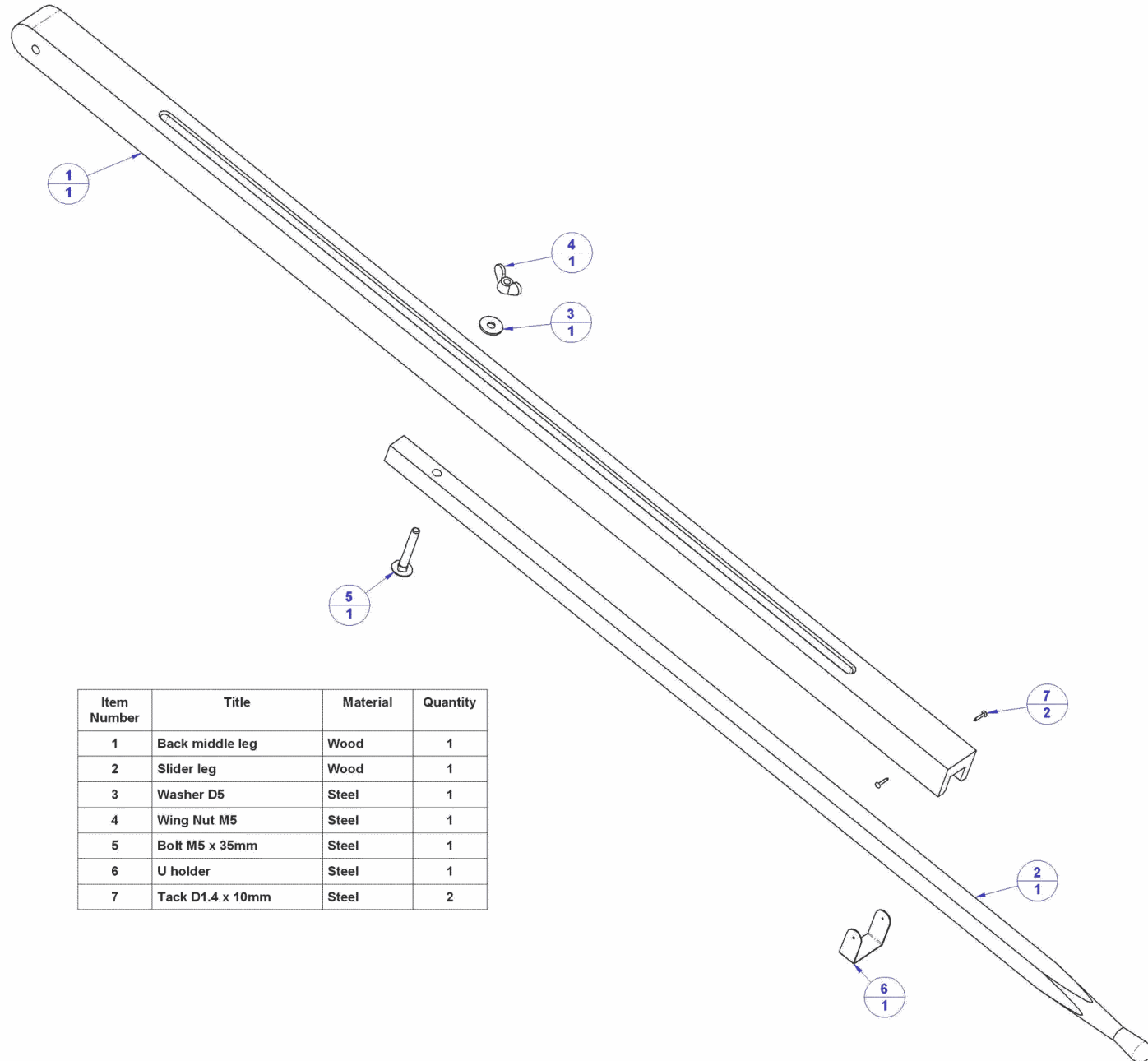
### 3.08 U Holder

Leg Mirror Standard Parts



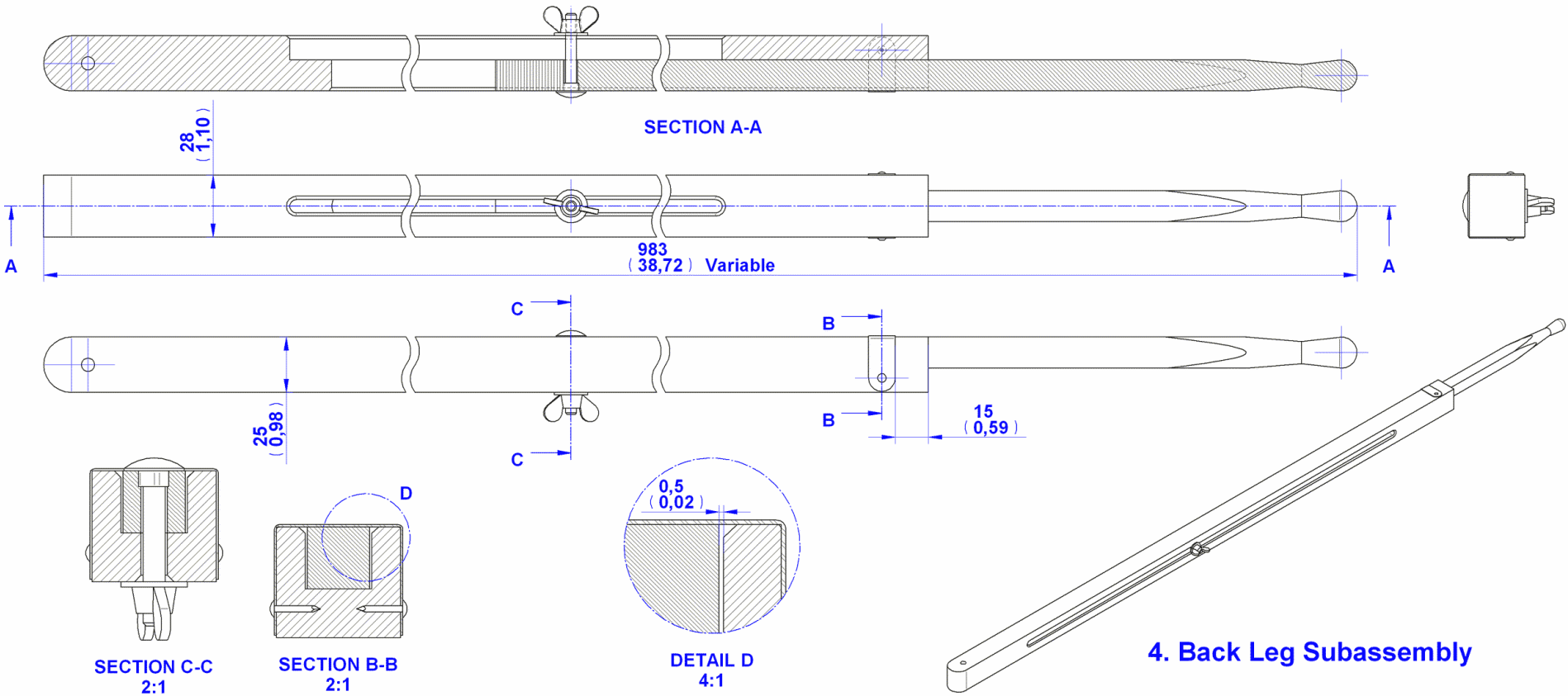
## Back Leg Subassembly

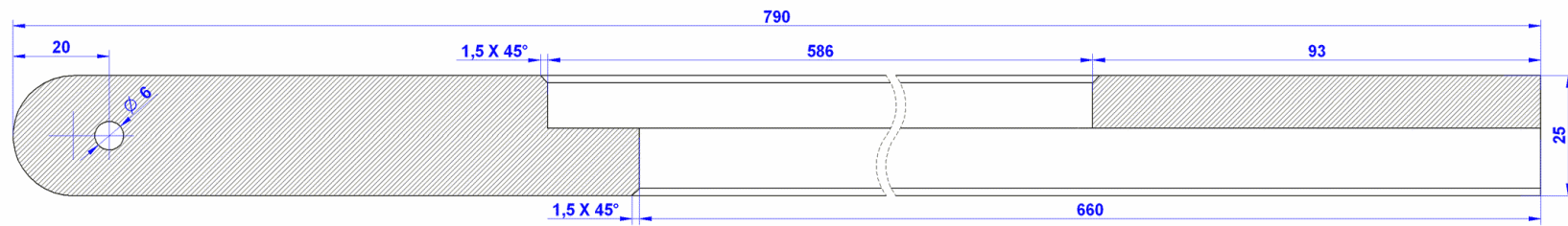
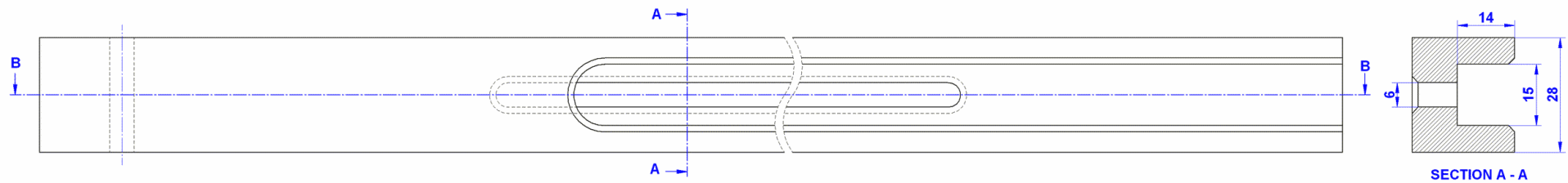
### Parts List



Item Number	Title	Material	Quantity
1	Back middle leg	Wood	1
2	Slider leg	Wood	1
3	Washer D5	Steel	1
4	Wing Nut M5	Steel	1
5	Bolt M5 x 35mm	Steel	1
6	U holder	Steel	1
7	Tack D1.4 x 10mm	Steel	2

2D Drawing

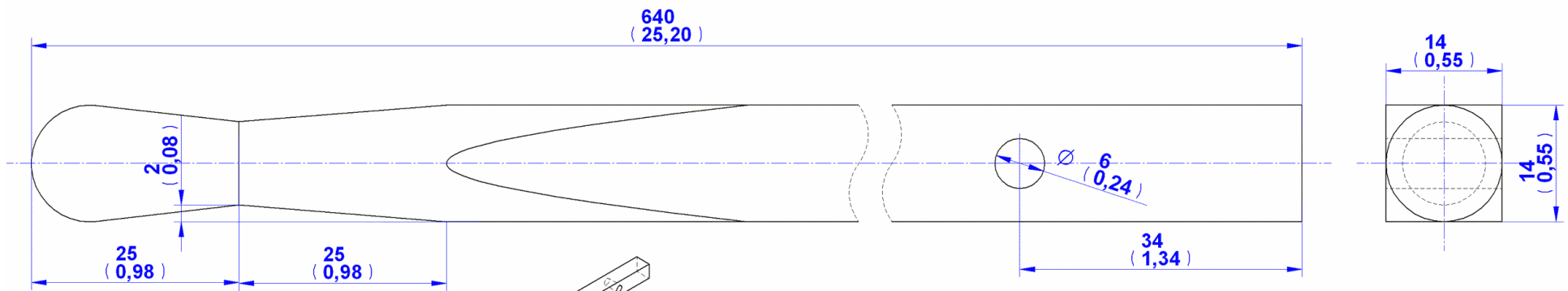




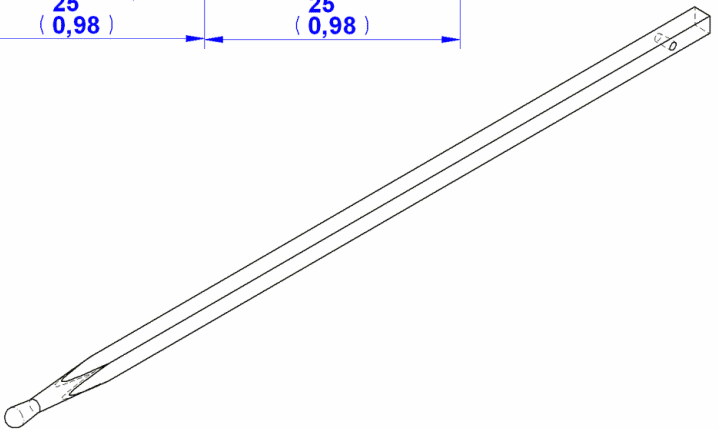
SECTION B - B

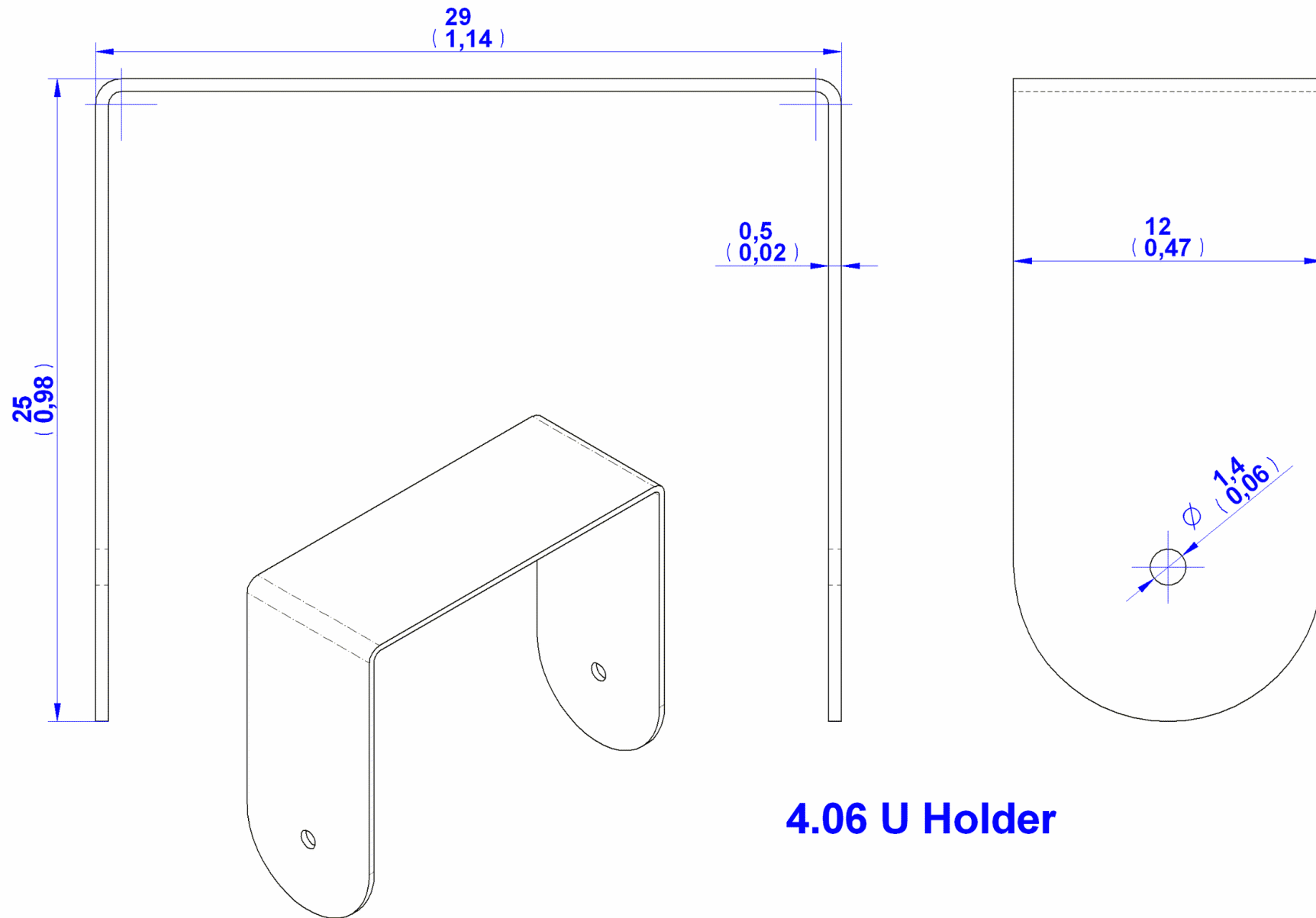
### 4.01 Back Middle Leg





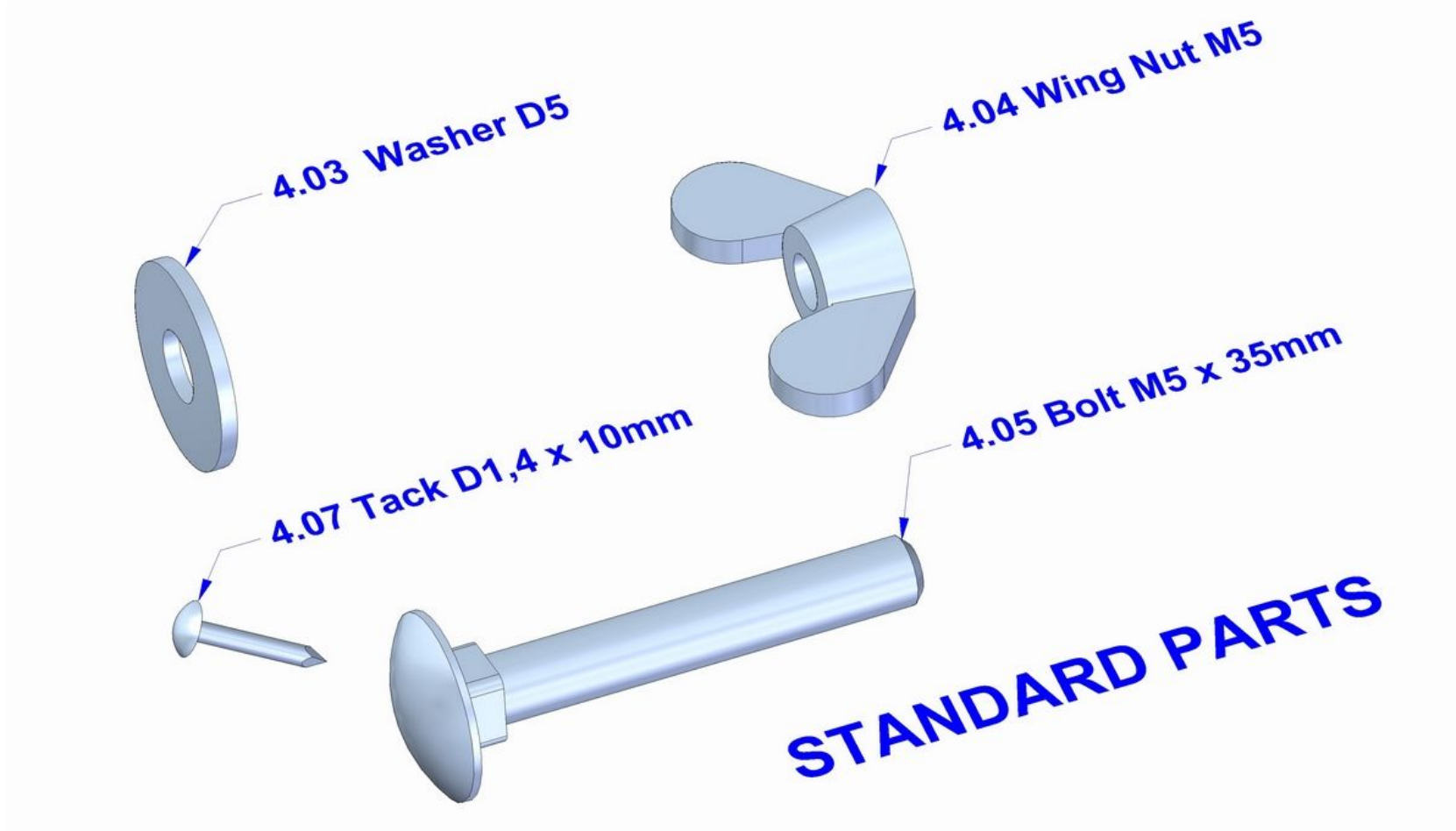
### 4.02 Slider Leg





### 4.06 U Holder

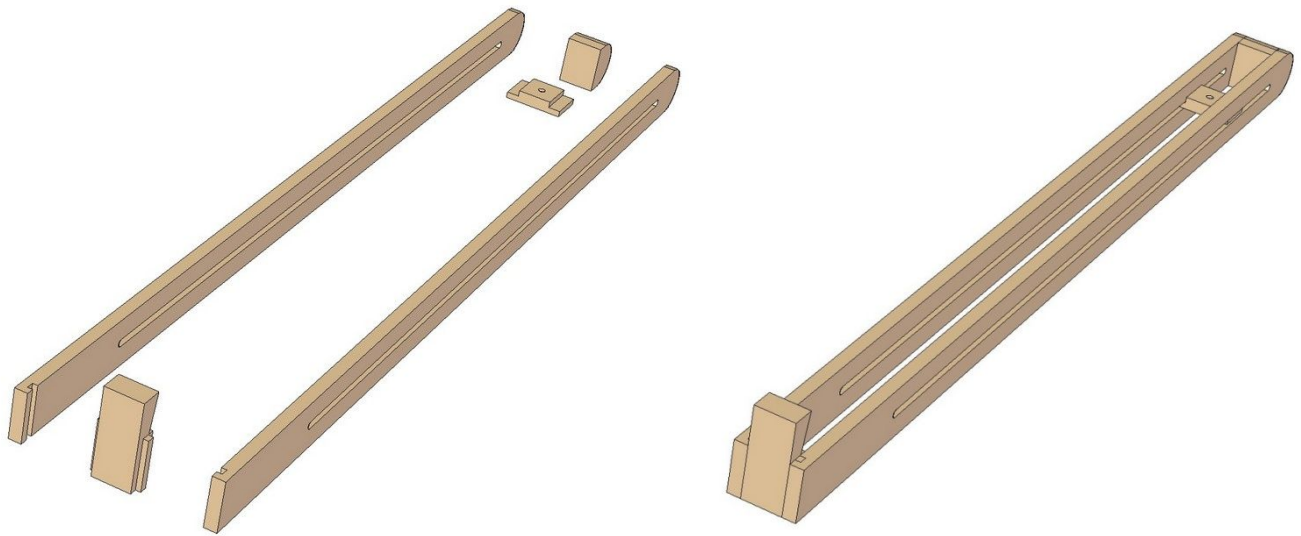
Back Leg Subassembly Standard Parts



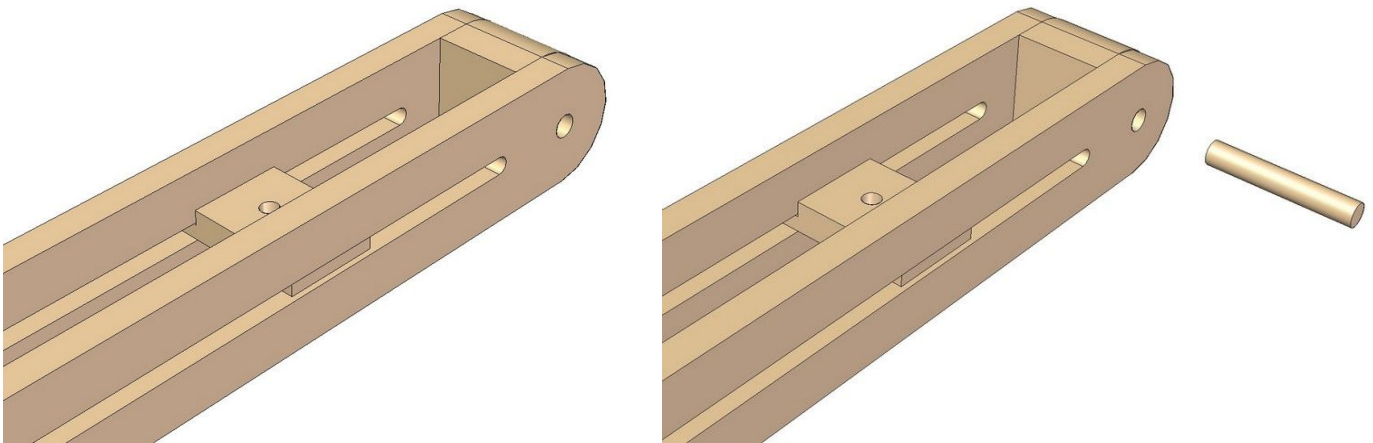
## Assemblage images

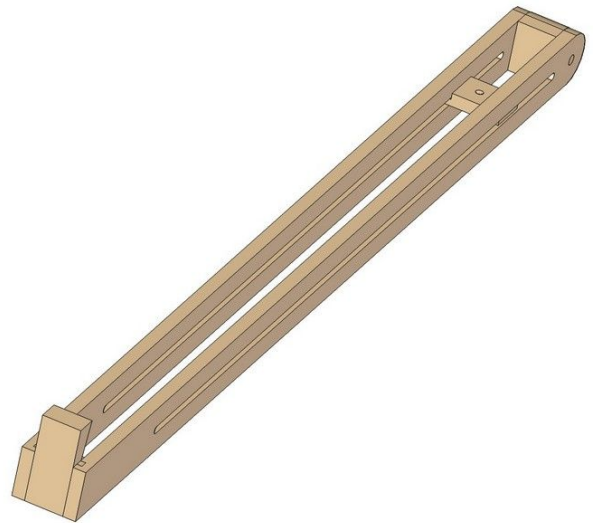
### Body subassembly assemblage

1.

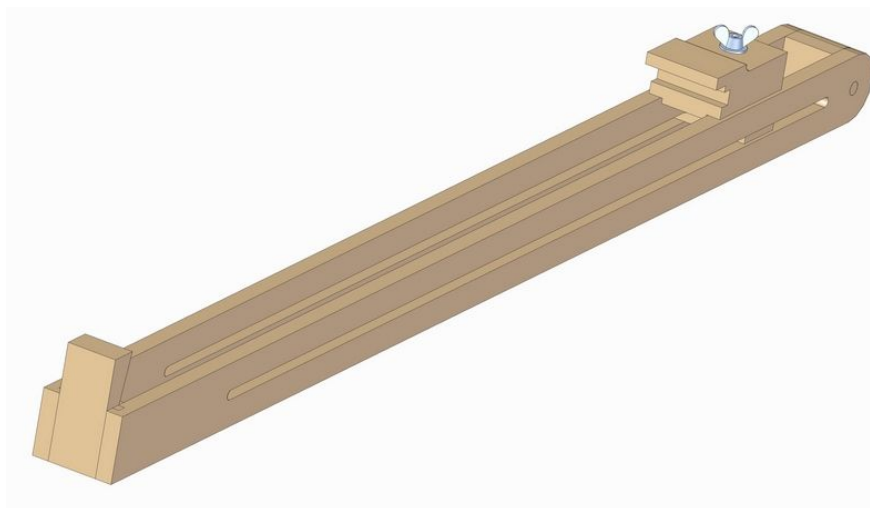
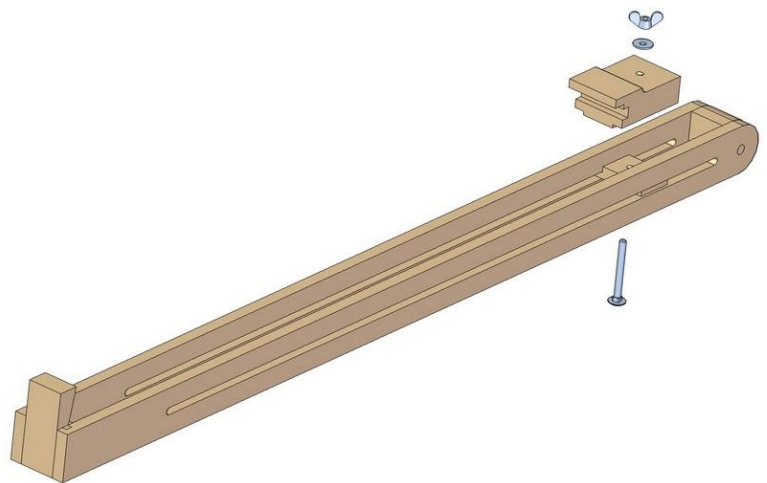
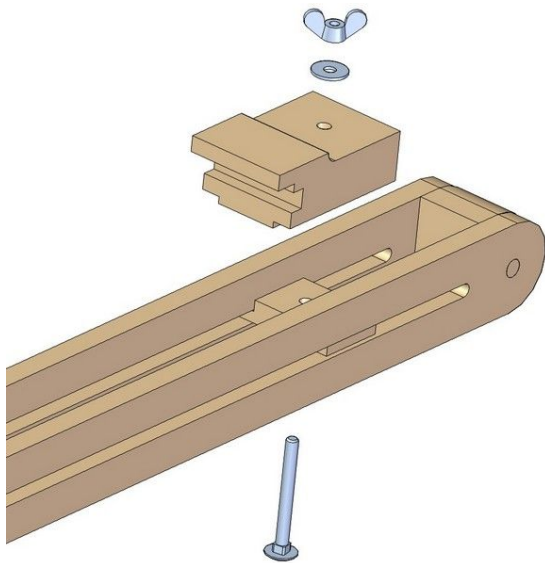


2.



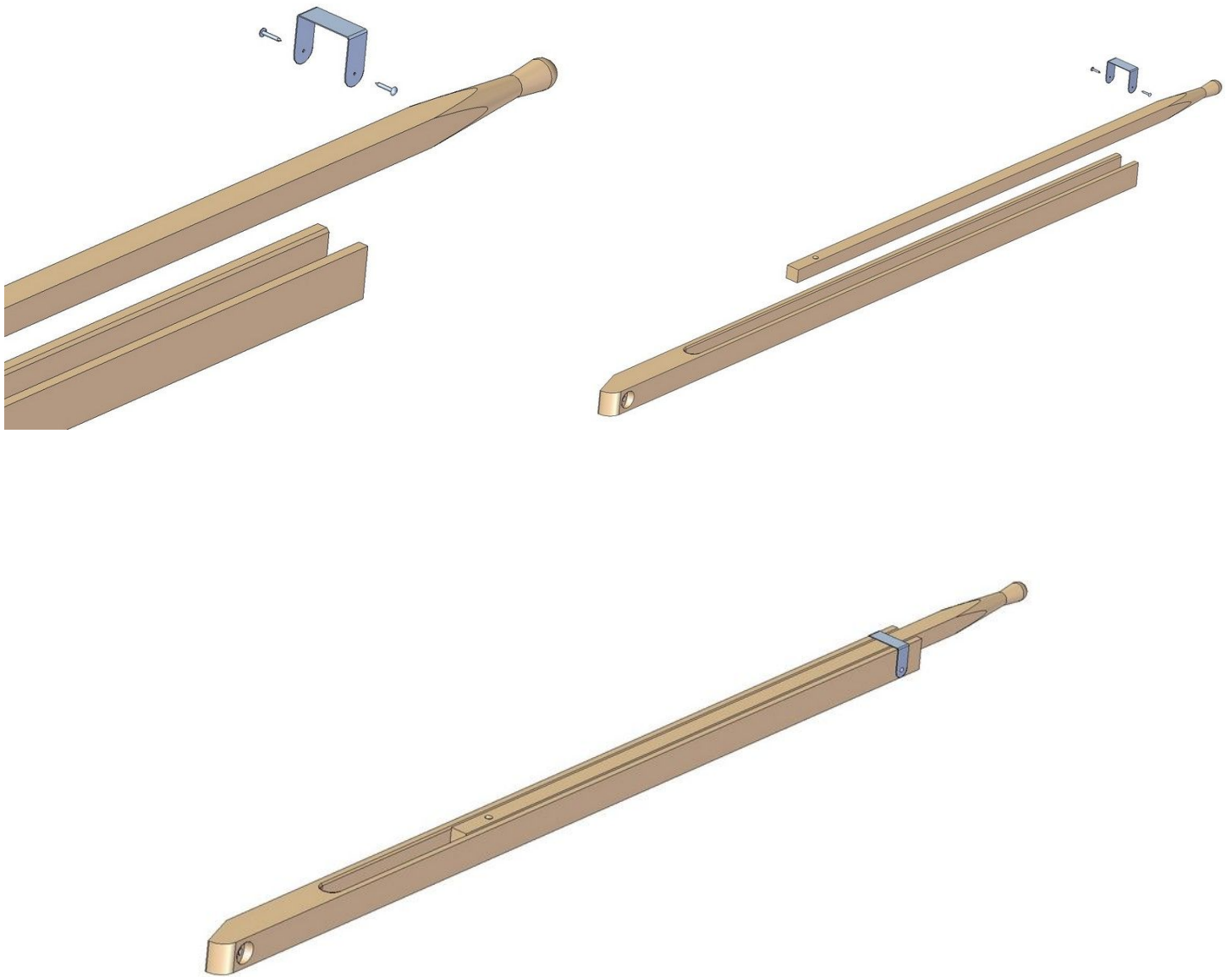


**3.**

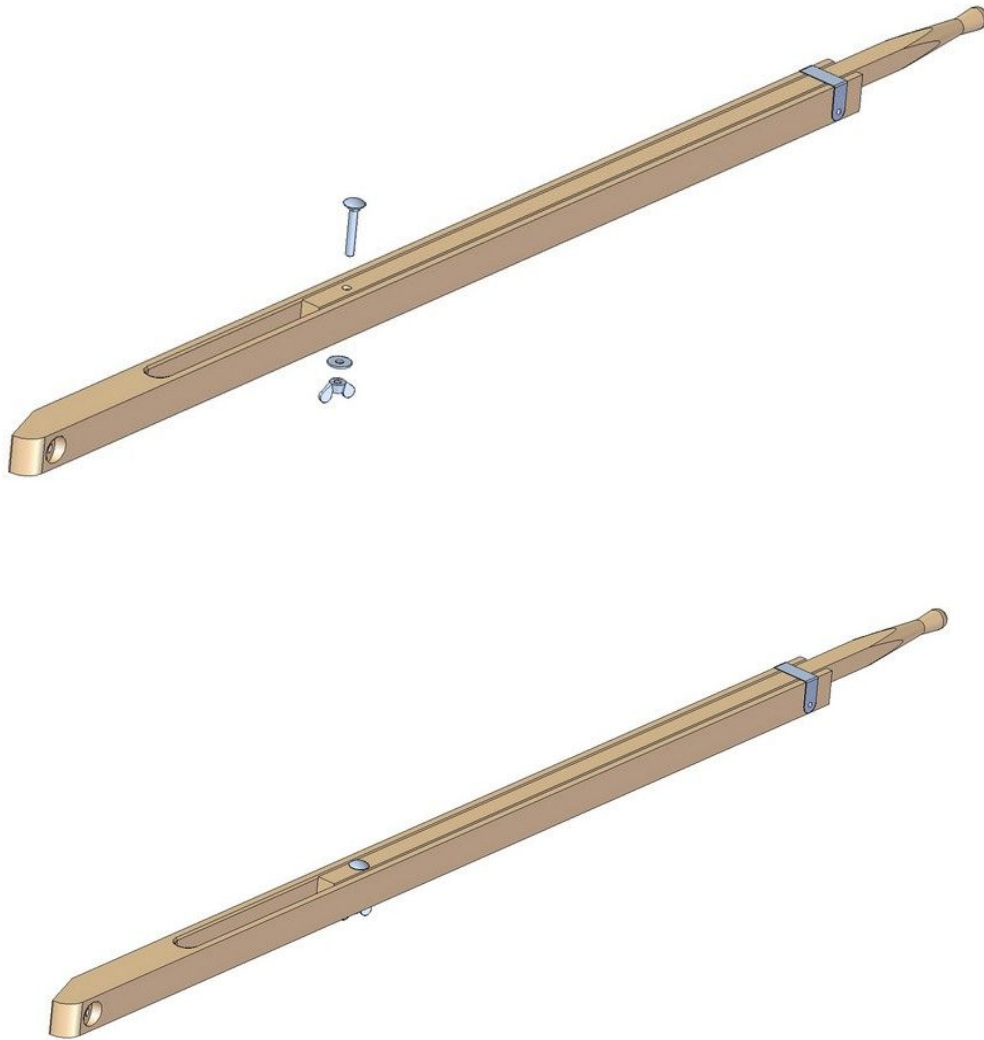


### Leg Subassembly Assemblage

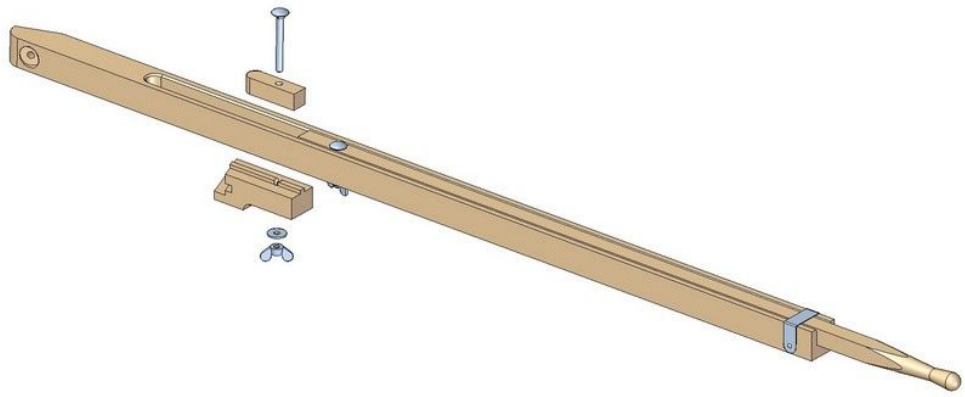
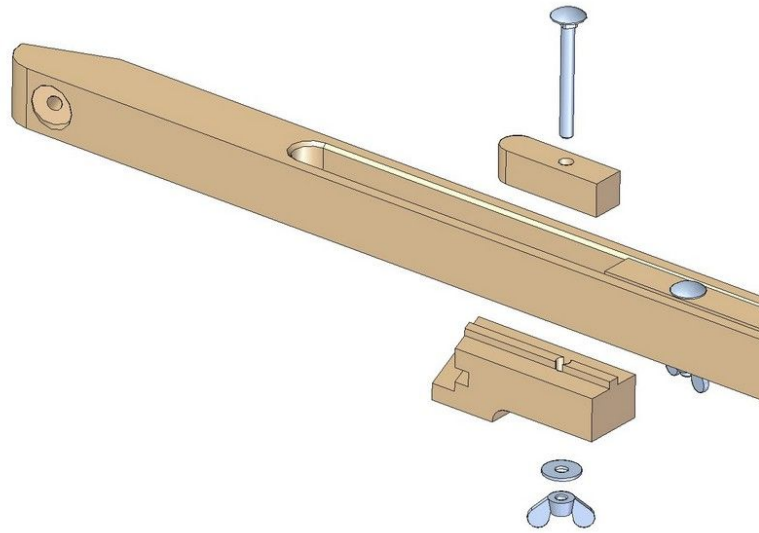
1.



2.



3.



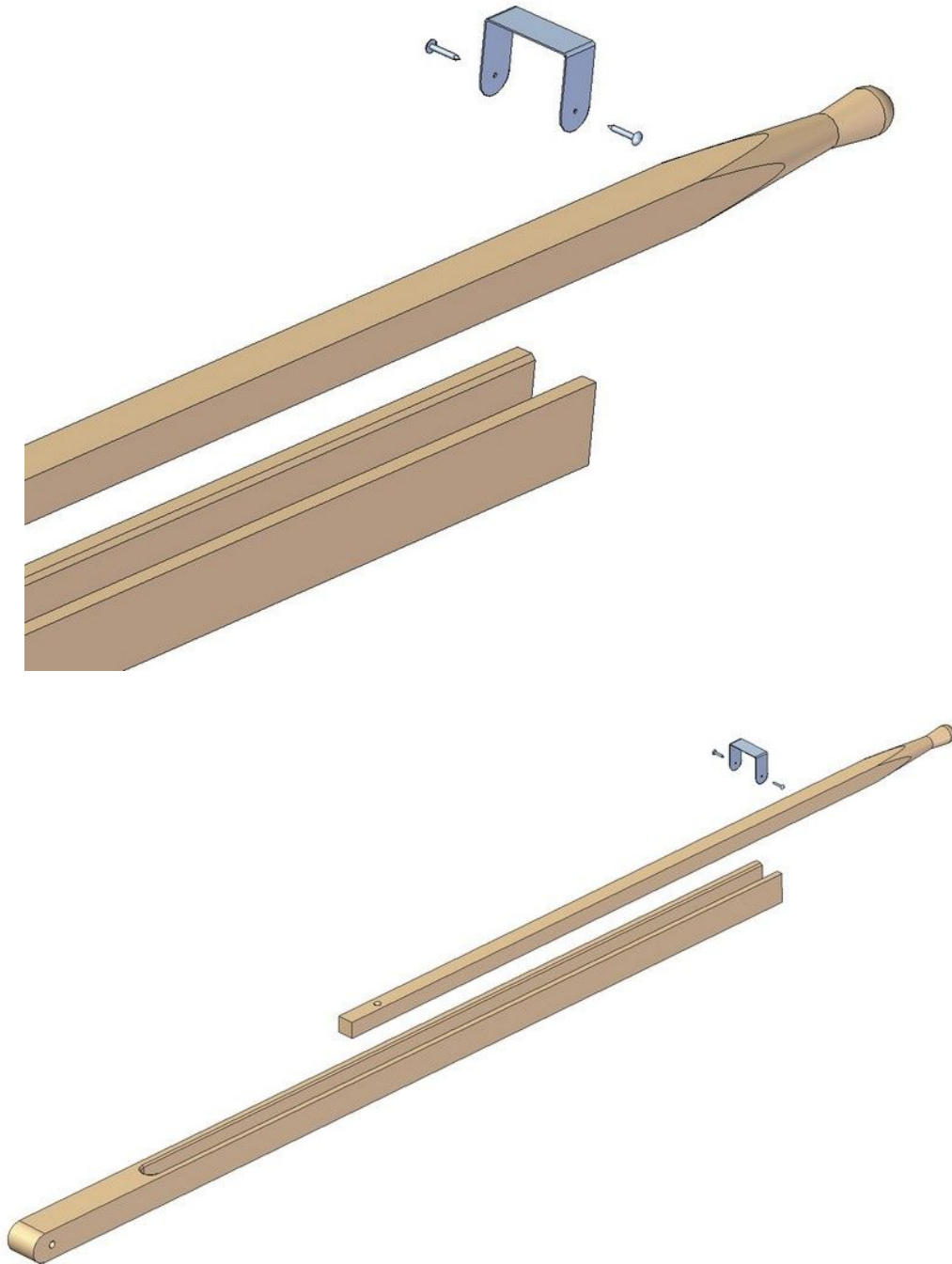


### Leg Mirror Subassembly Assemblage

Assemble the Leg Mirror subassembly the same way as you assembled Leg subassembly.

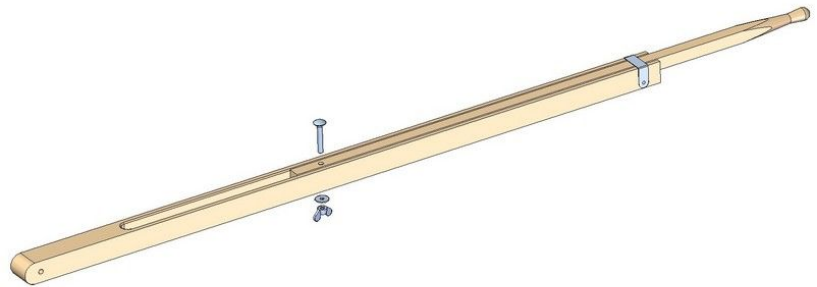
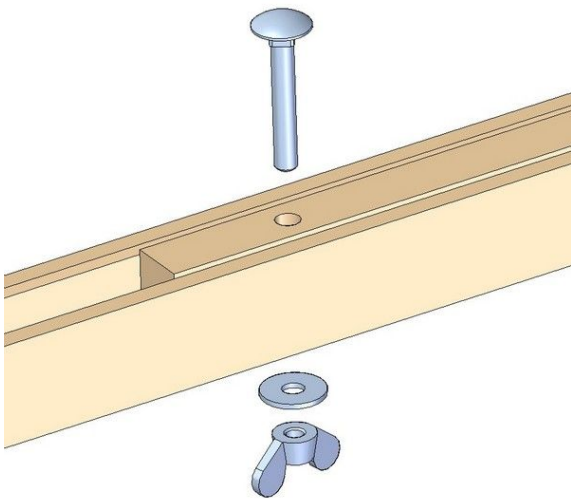
### Back Leg Subassembly Assemblage

**1.**



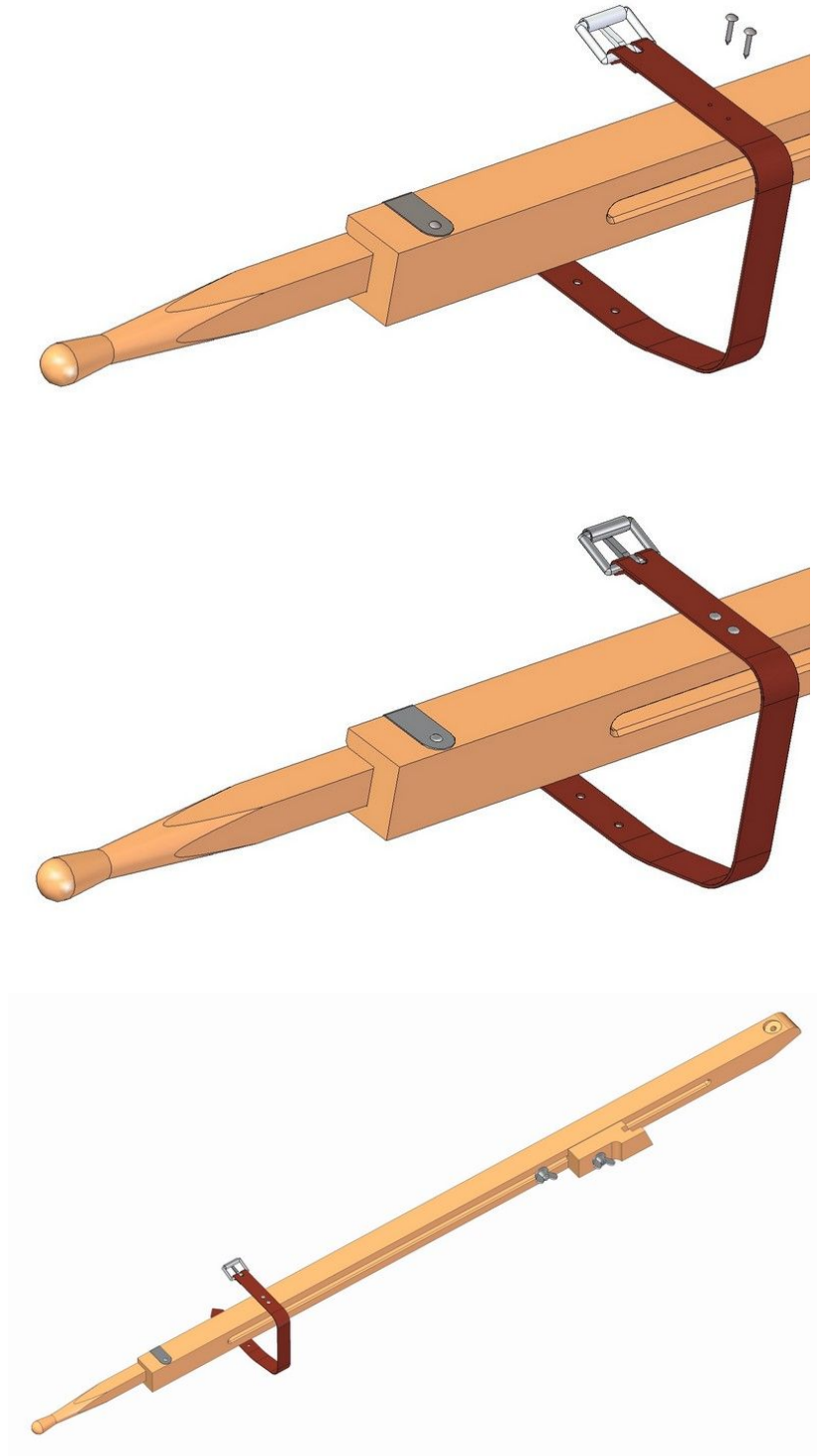


2.



Main assembly

1.



2.

