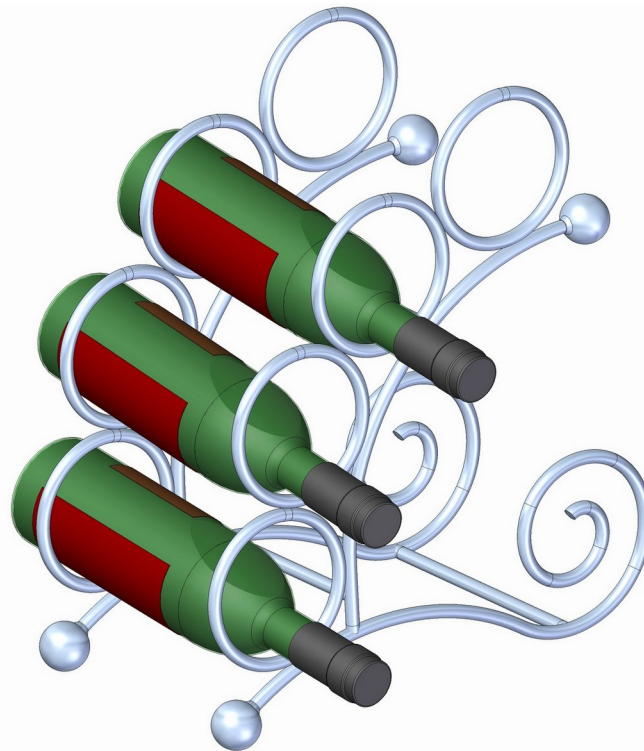


Four bottle wine rack plan



Wine has been part of many cultures since around 6000 BC and back then it played an important role in religion rituals. Since then it became one of the most popular drinks in the world, and if you are one of the people that enjoy good glass of wine, you probably know how important the value of the wine rack is. The wine rack illustrated is easy to built and can be made by the amateur metalworker at very low cost. It is designed for four bottles but may be easily changed to accommodate a larger or smaller number. This version of wine rack could be a beautiful decoration for your kitchen, room or cellar. This wine rack will not only draw attention to all your guests and neighbors, but it will also be a great peaceful object to look at and rest your mind.

Overall dimensions are: length - 331mm (13.03 in.), width - 198mm (7.8 in.), height - 364mm (14.34 in.)

Paint the whole metal structure with the basic preserving color and when it dries out, daub it two times with color for metal. The recommended color is black, because black color gives the impression of a wrought iron to the whole structure and it adjusts well to almost any exterior or interior. All joints are welded. All bends are made cold.

Material needed:

Part 1 – Mild steel rod – D 8mm (0.31 in.) - Cut length = approximately 625mm (24.6 in)

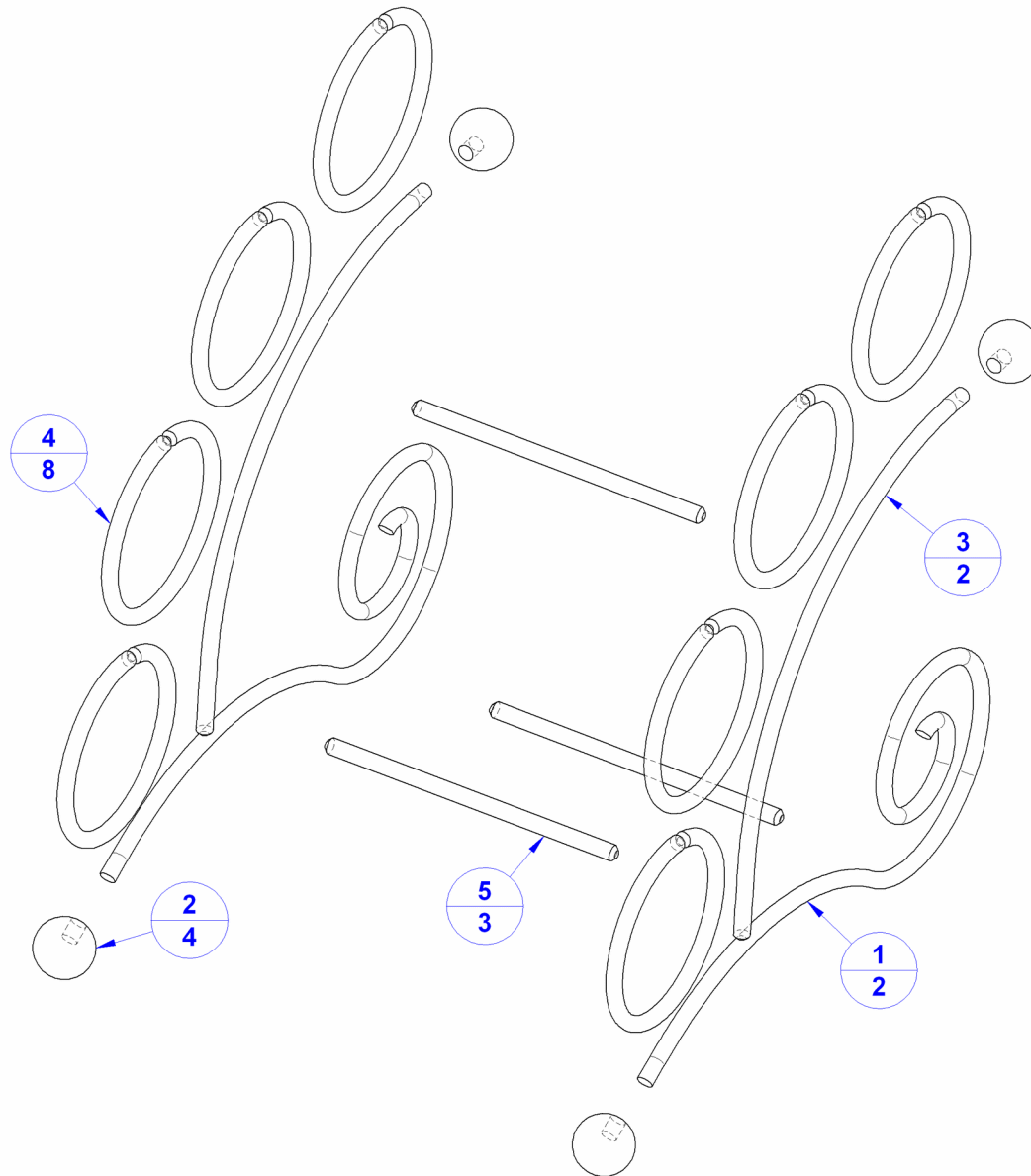
Part 2 – Steel ball – D30mm (1.18 in. or similar)

Part 3 – Mild steel rod – D 8mm (0.31 in.) - Cut length = approximately 319mm (12.55 in)

Part 4 – Mild steel rod – D 8mm (0.31 in.) - Cut length = approximately 294mm (11.58 in)

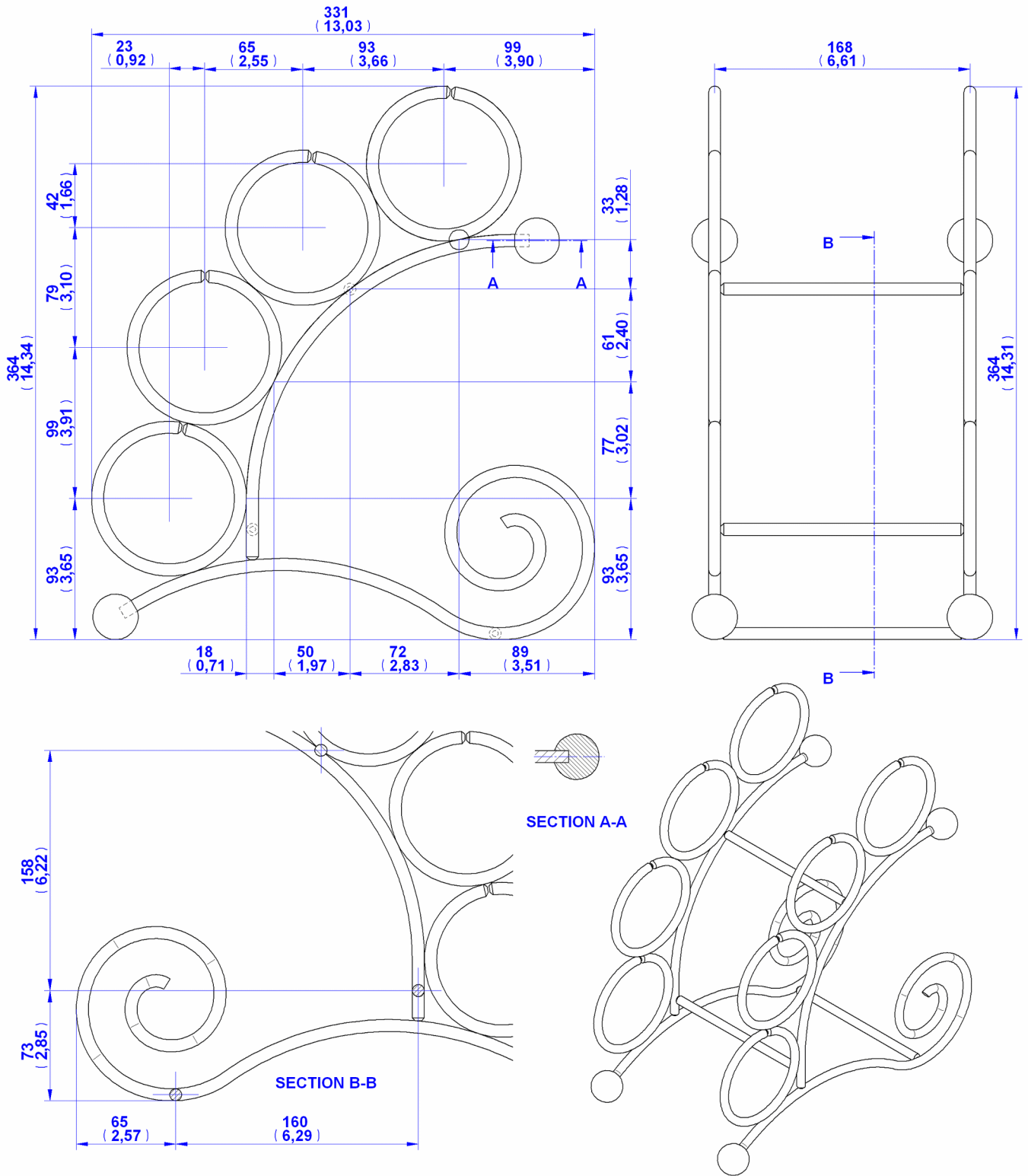
Part 5 – Mild steel rod – D 8mm (0.31 in.) - Cut length = 160mm (6.3 in)

Wine rack parts list

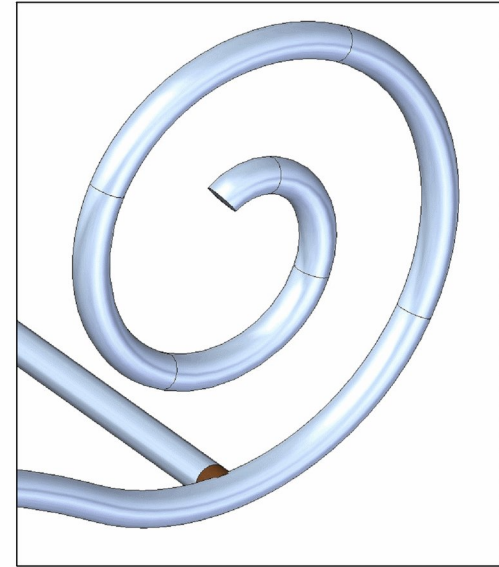
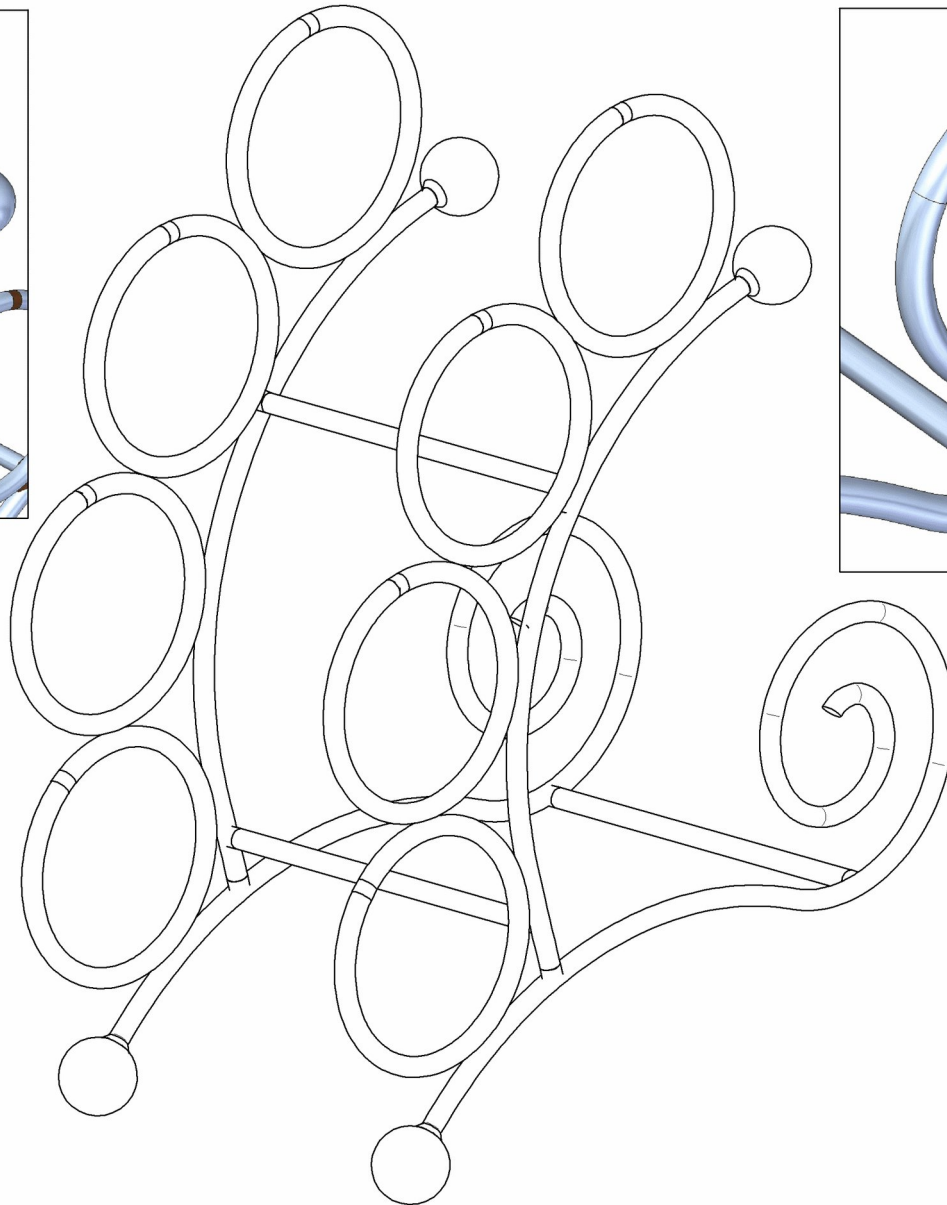
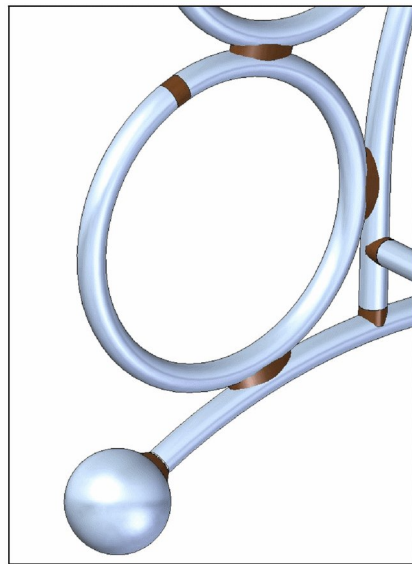
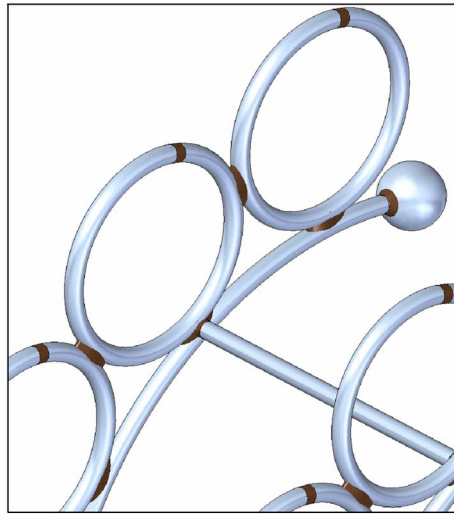


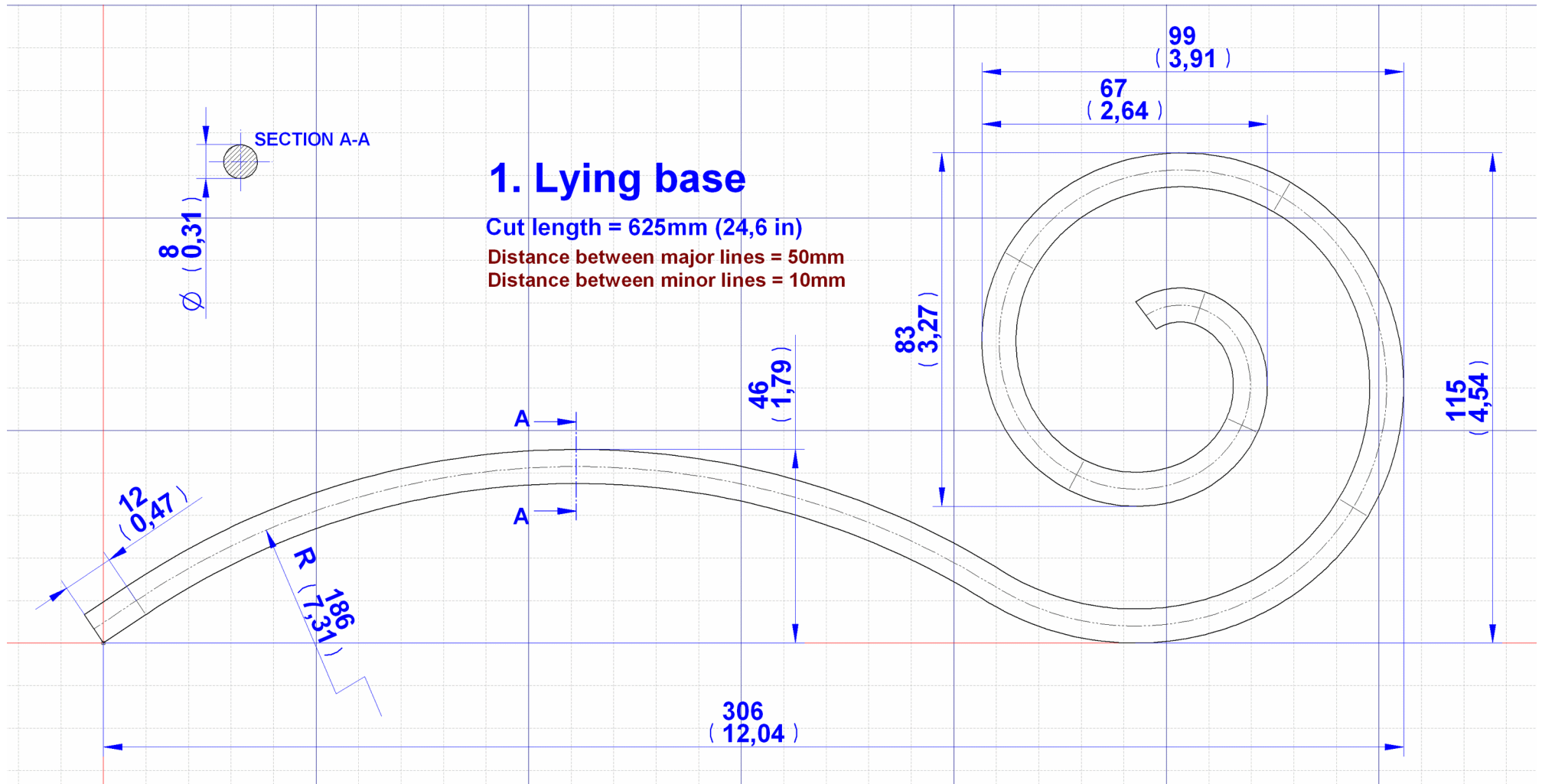
Item Number	Title	Material	Quantity
1	Lying base	Steel	2
2	Ball	Steel	4
3	Carrier	Steel	2
4	Bottle holder	Steel	8
5	Brace	Steel	3

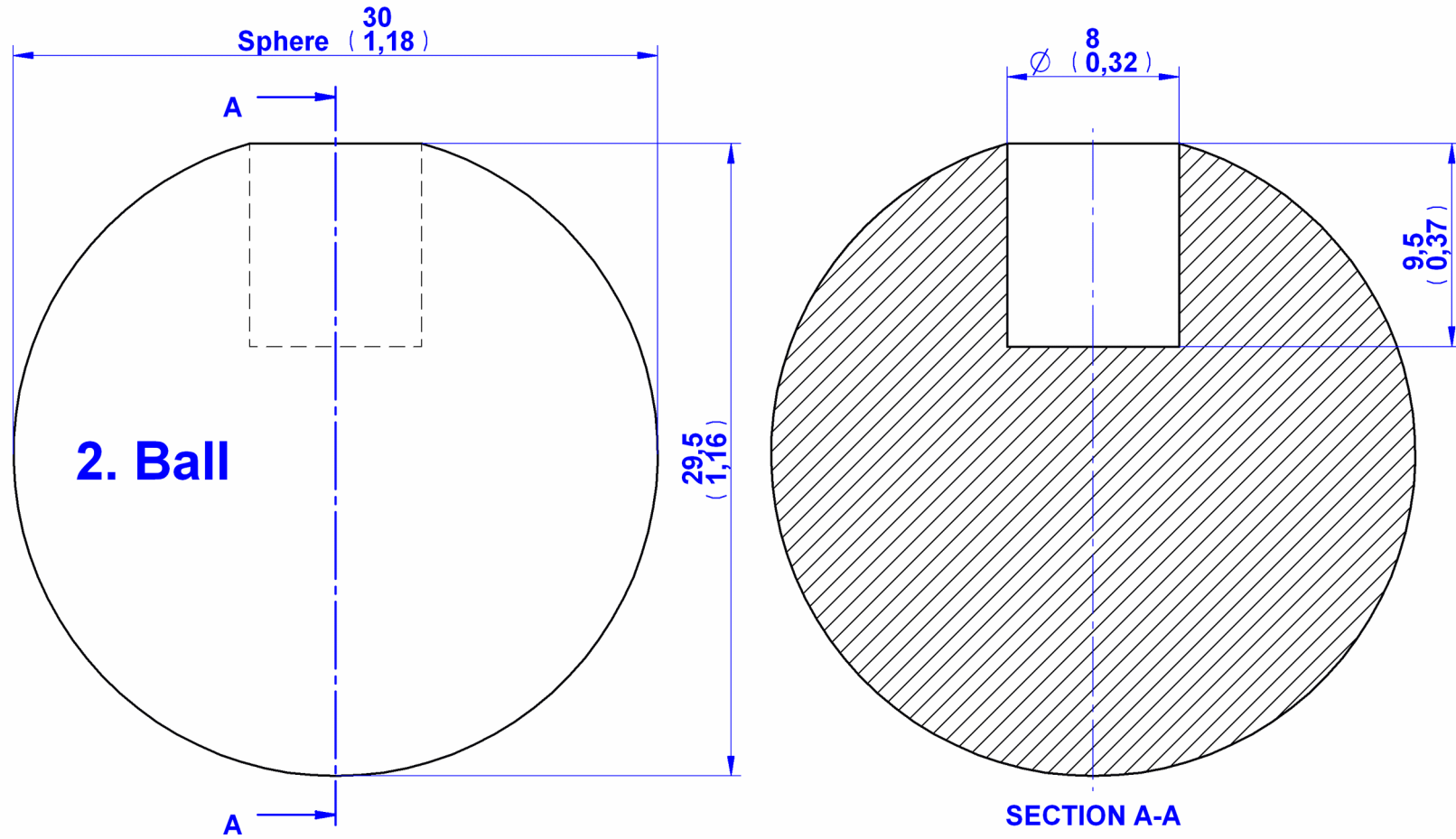
Wine rack assembly drawing

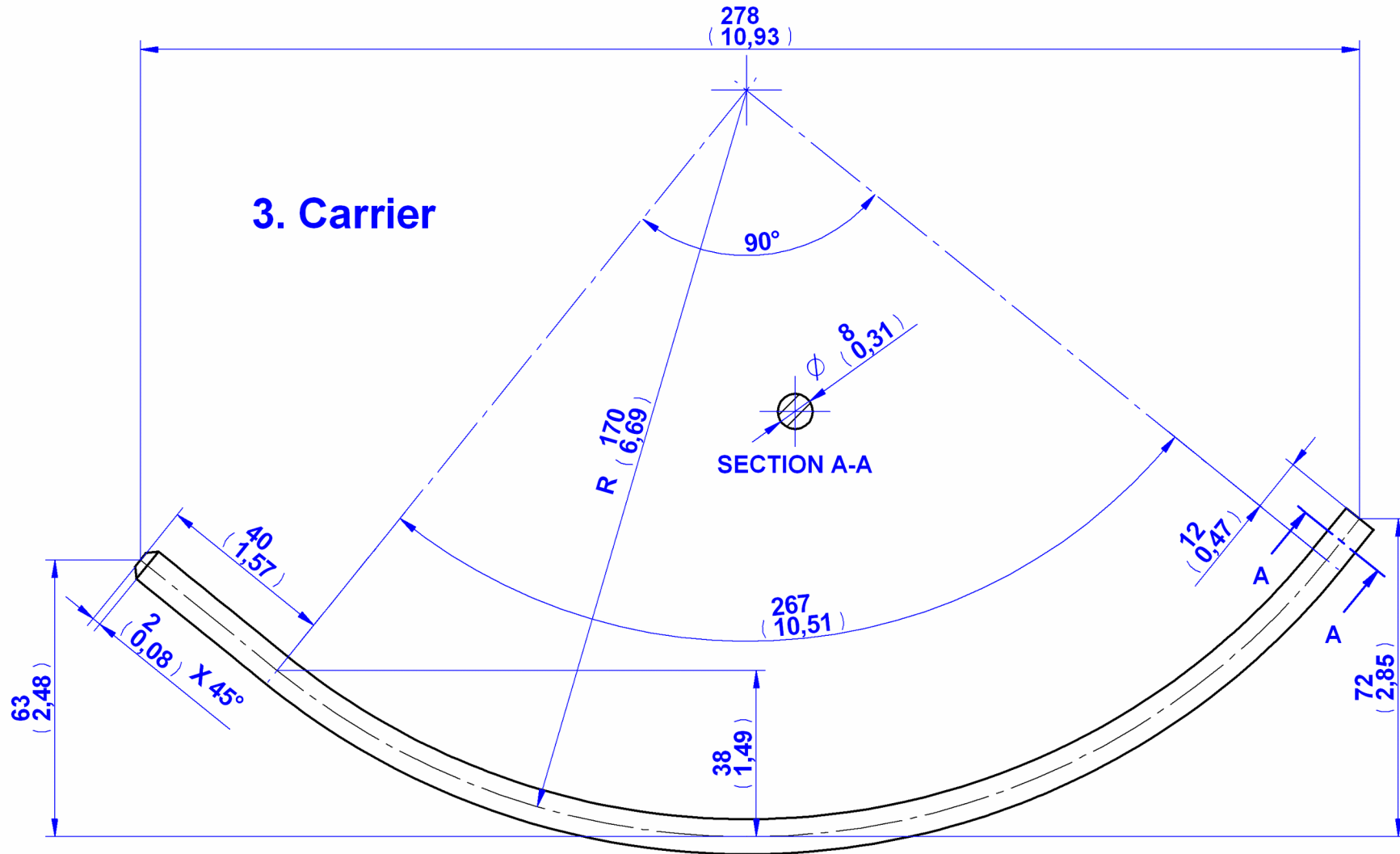


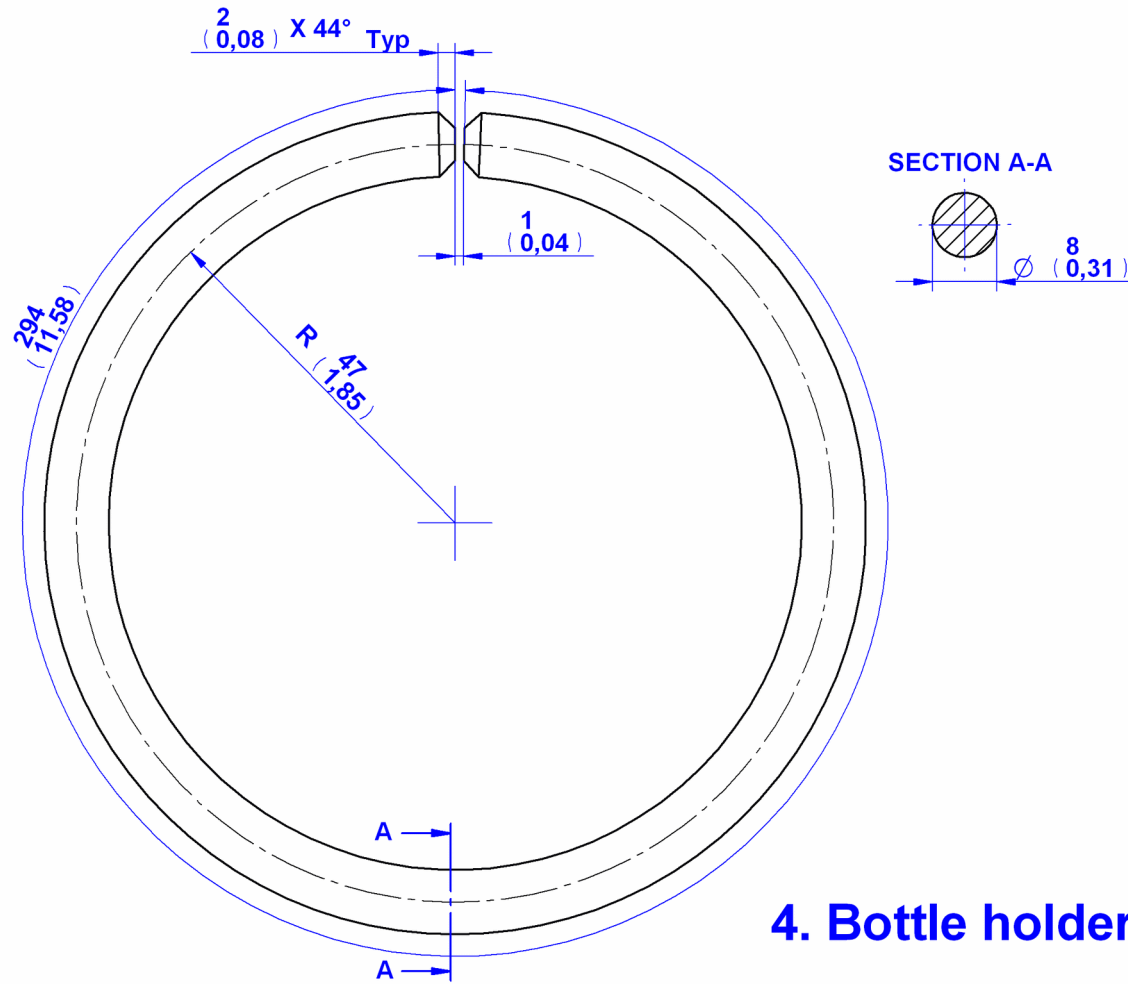
Wine rack – welding



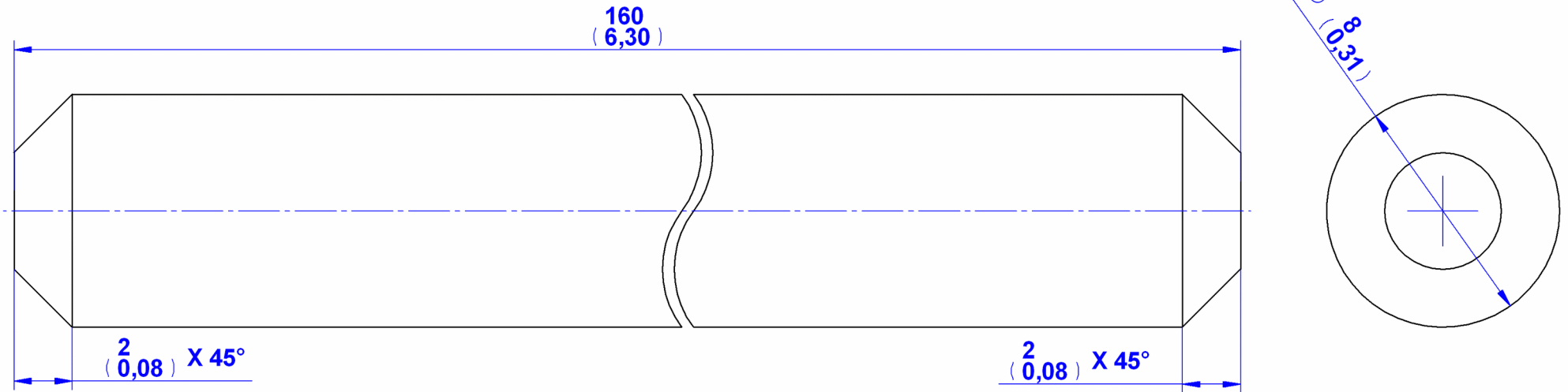








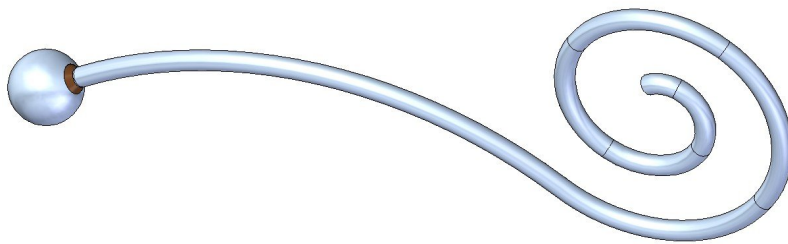
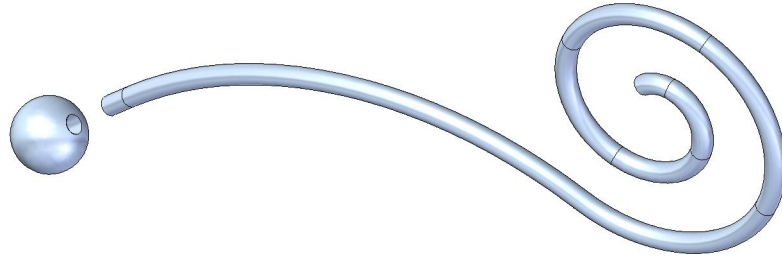
4. Bottle holder



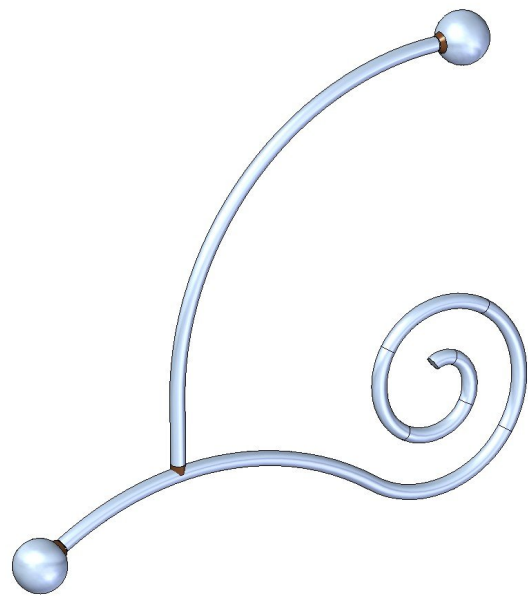
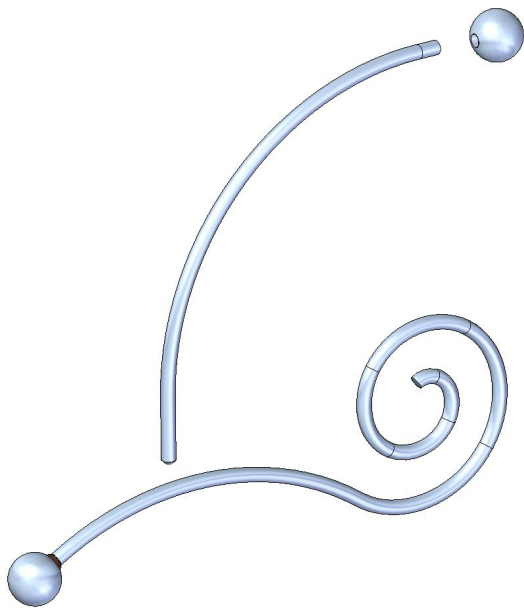
5. Brace

Wine rack assemblage images

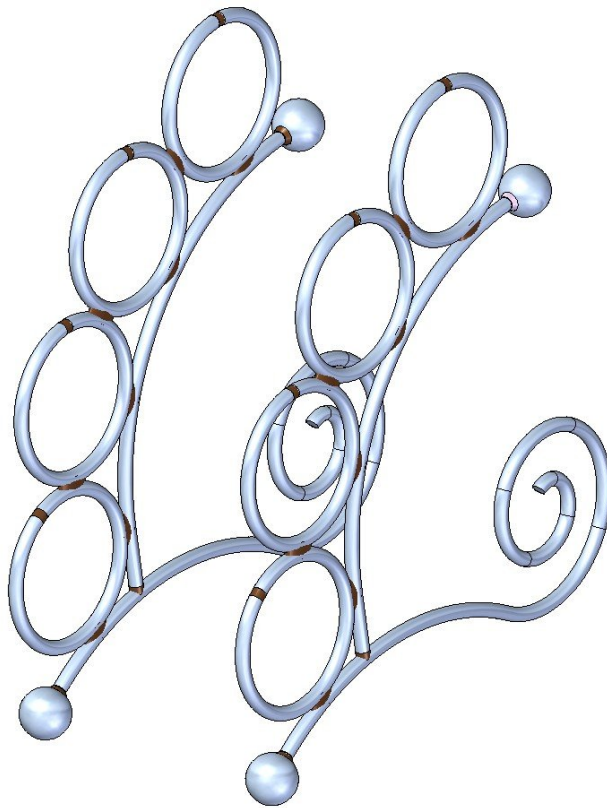
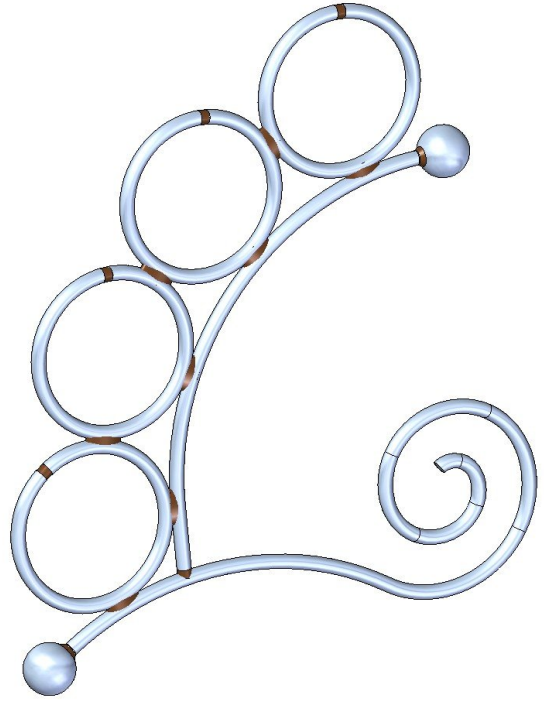
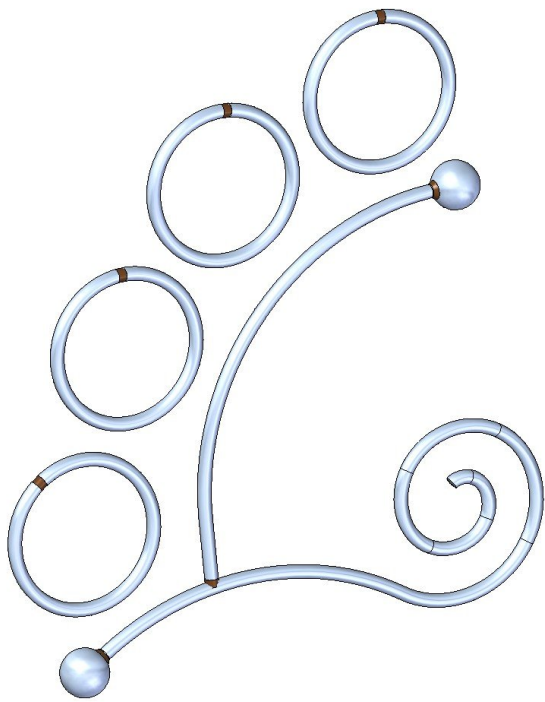
1.



2.



3.



4.

