

FUNNY AIRPLANE

Toddlers simply adore pulling and pushing things all the time, and since their manual dexterity is not fully developed, all toddler toys should be sturdy and compact. One of those toys is in our kids airplane toy plan – a classic toy that never goes out of style.

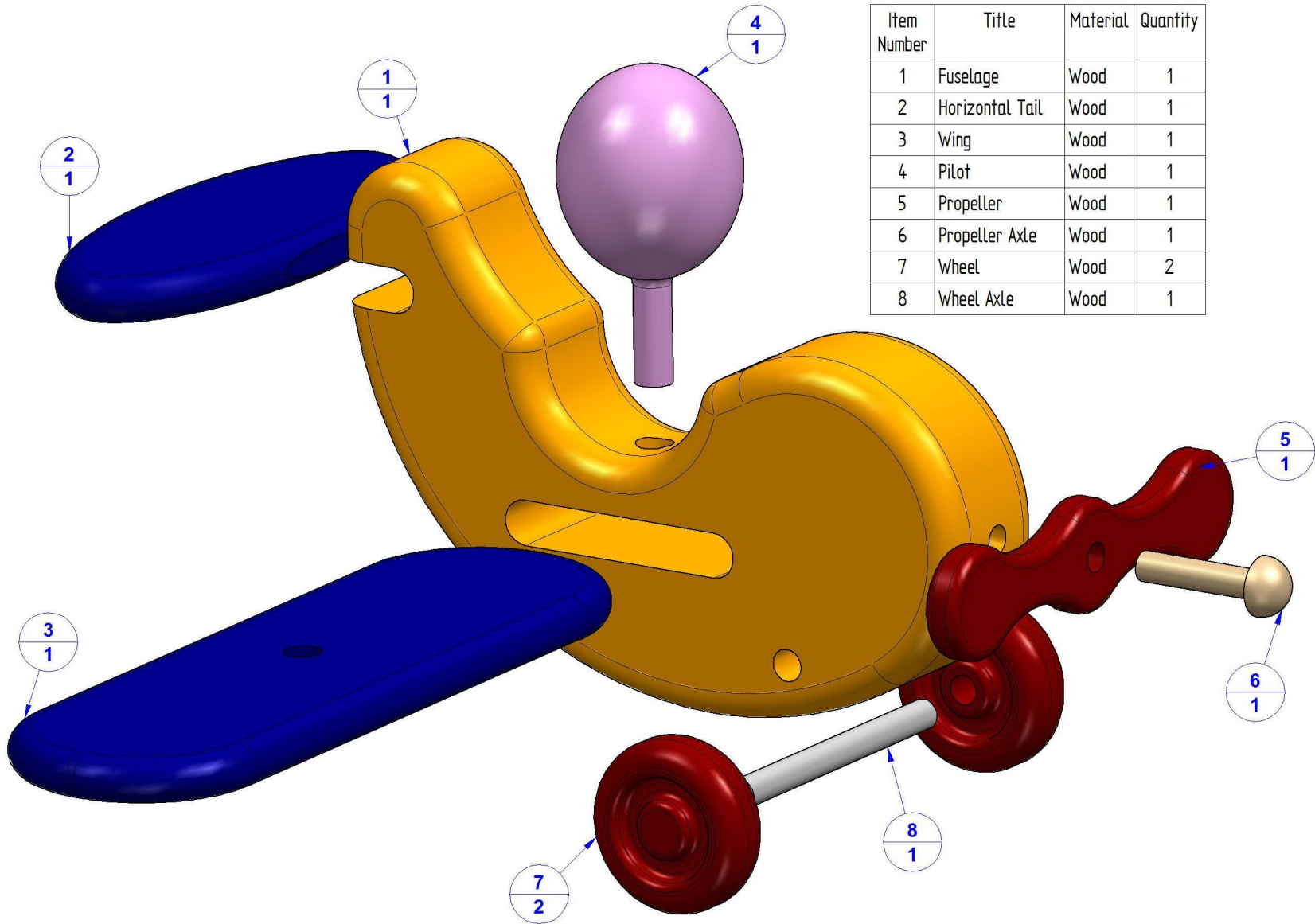
If you take a look at the little airplane toy in the picture, you will see why children find it so attractive – it is not just interesting looking but supercool, especially if you paint it with bright colors! In addition to a lovely design, while developing this project we have paid attention that it is durable and, at the same time, simple to create.



The drawings clearly indicate that all toy parts are relatively simple and that there are no complicated woodworking joints. The airplane parts are small in size, so they can be made from scrap wood left over in your workshop. When it comes to type of wood, any one will do (the better quality of material, the more durable the toy). All parts are fixed together with glue, allowing the propeller and wheel axle to rotate. The choice of the finish is up to you; the only thing we would like to recommend is that you draw the little pilot's face to make it as funny as possible, which will make the kids happy to see. In this way, the airplane will definitely be more interesting and fun to play with, and probably a toy that your little ones will remember as their childhood favorite when they grow up.

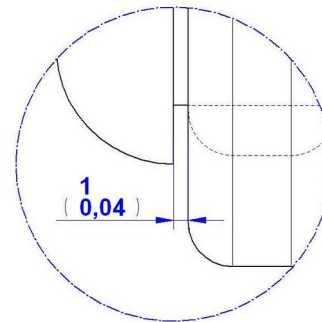
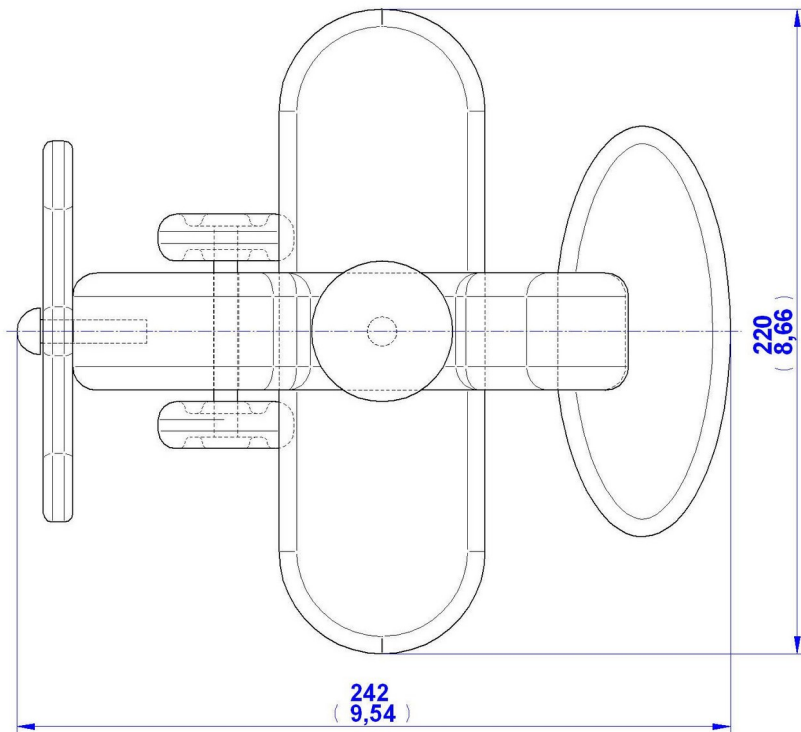
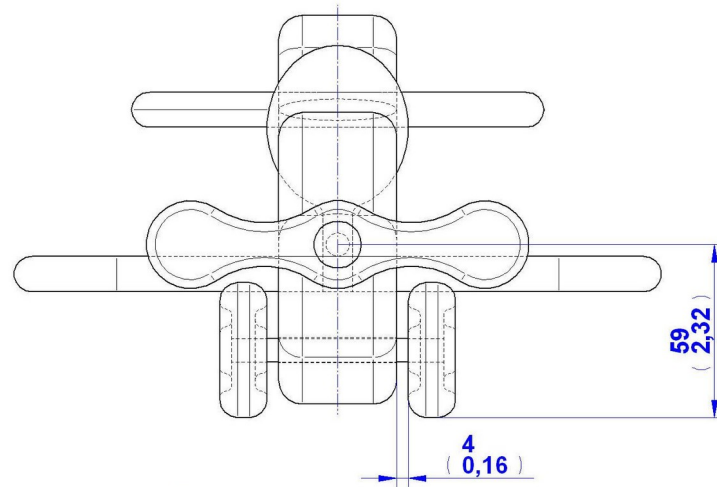
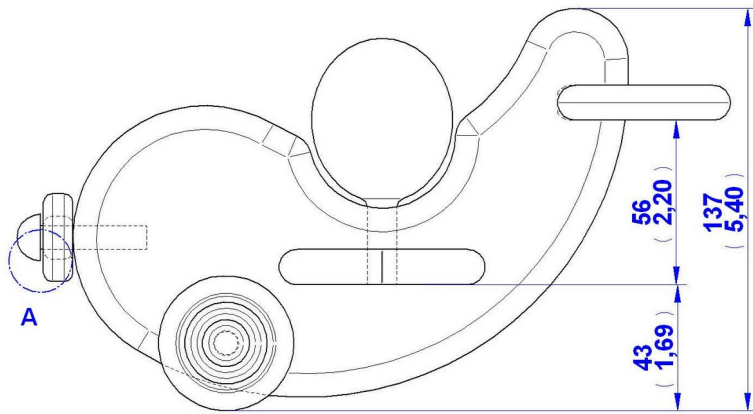
This is an ideal project for beginners and teenagers who want to acquire skills in woodworking. By creating this toy, they will learn how to cut round-shaped parts out of wood and master the basics of gluing together the wooden parts. Again, we think the design of this toy is really good; should you have any better idea to improve it, feel free to apply it. In the end, please do not hesitate to send us the pictures of your finished toys!

PARTS LIST

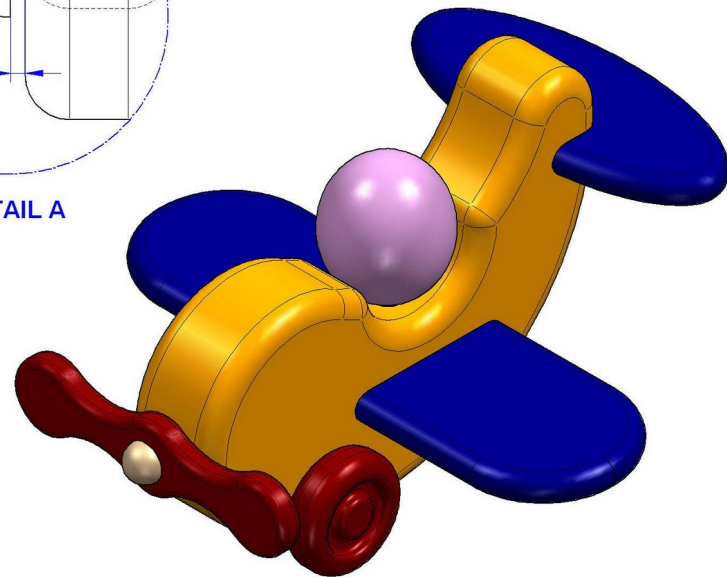


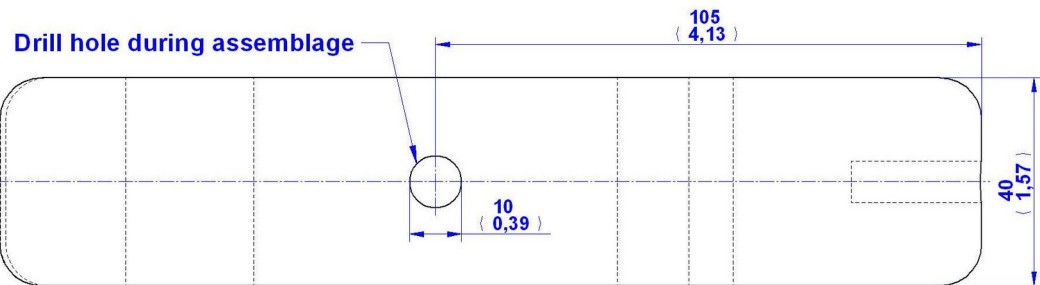
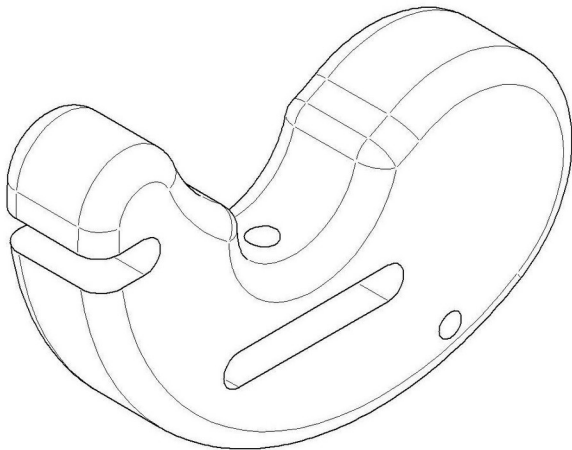
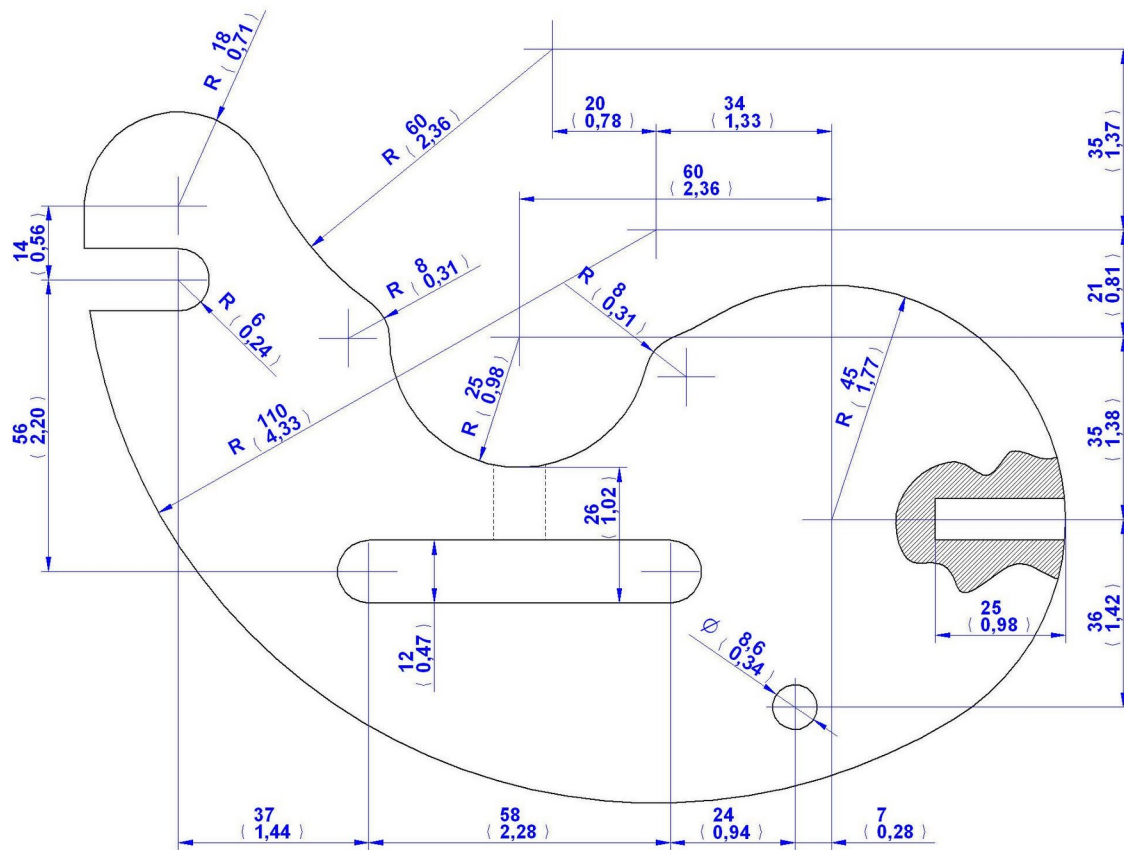
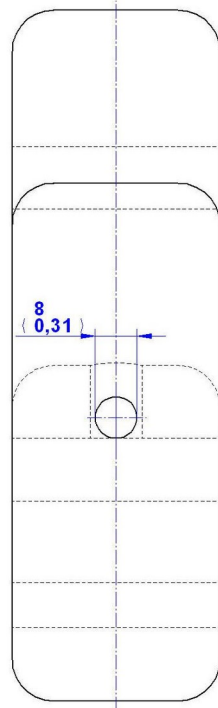
Item Number	Title	Material	Quantity
1	Fuselage	Wood	1
2	Horizontal Tail	Wood	1
3	Wing	Wood	1
4	Pilot	Wood	1
5	Propeller	Wood	1
6	Propeller Axle	Wood	1
7	Wheel	Wood	2
8	Wheel Axle	Wood	1

2D Documentation

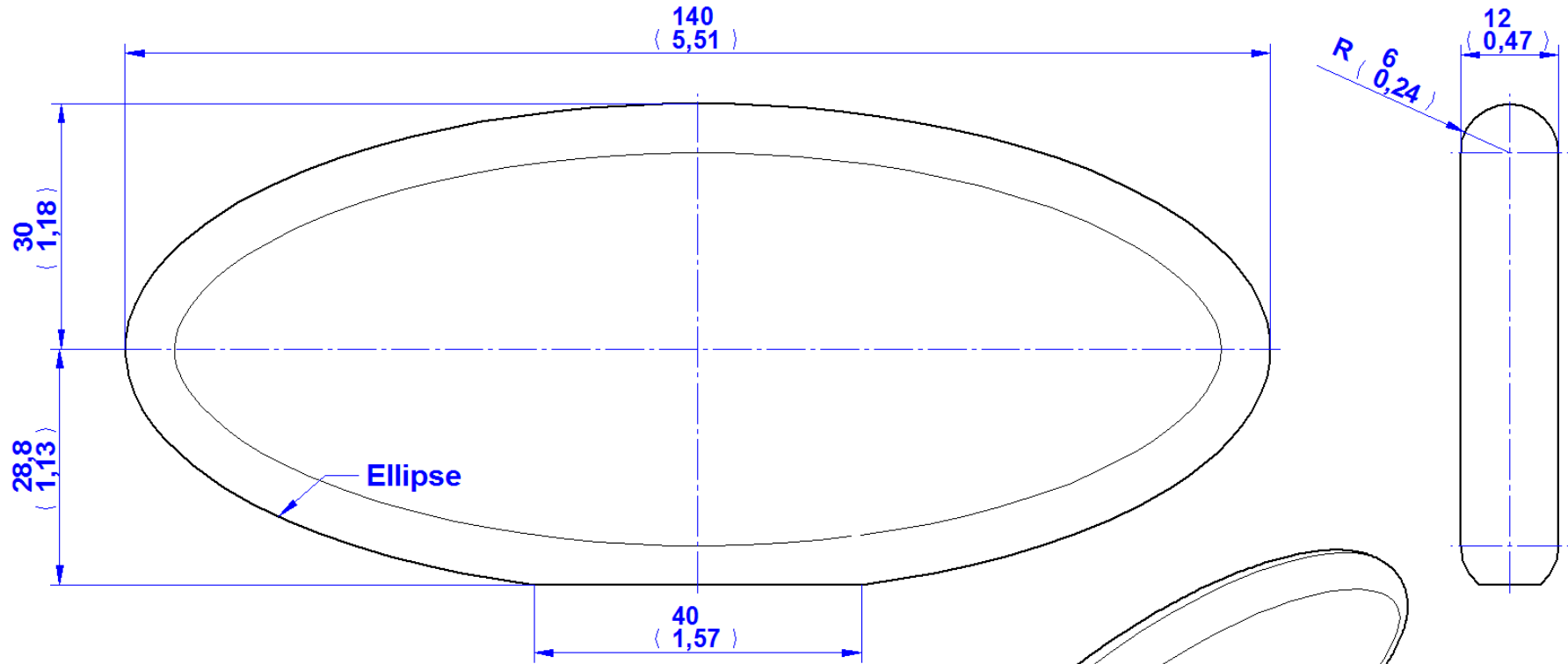


DETAIL A

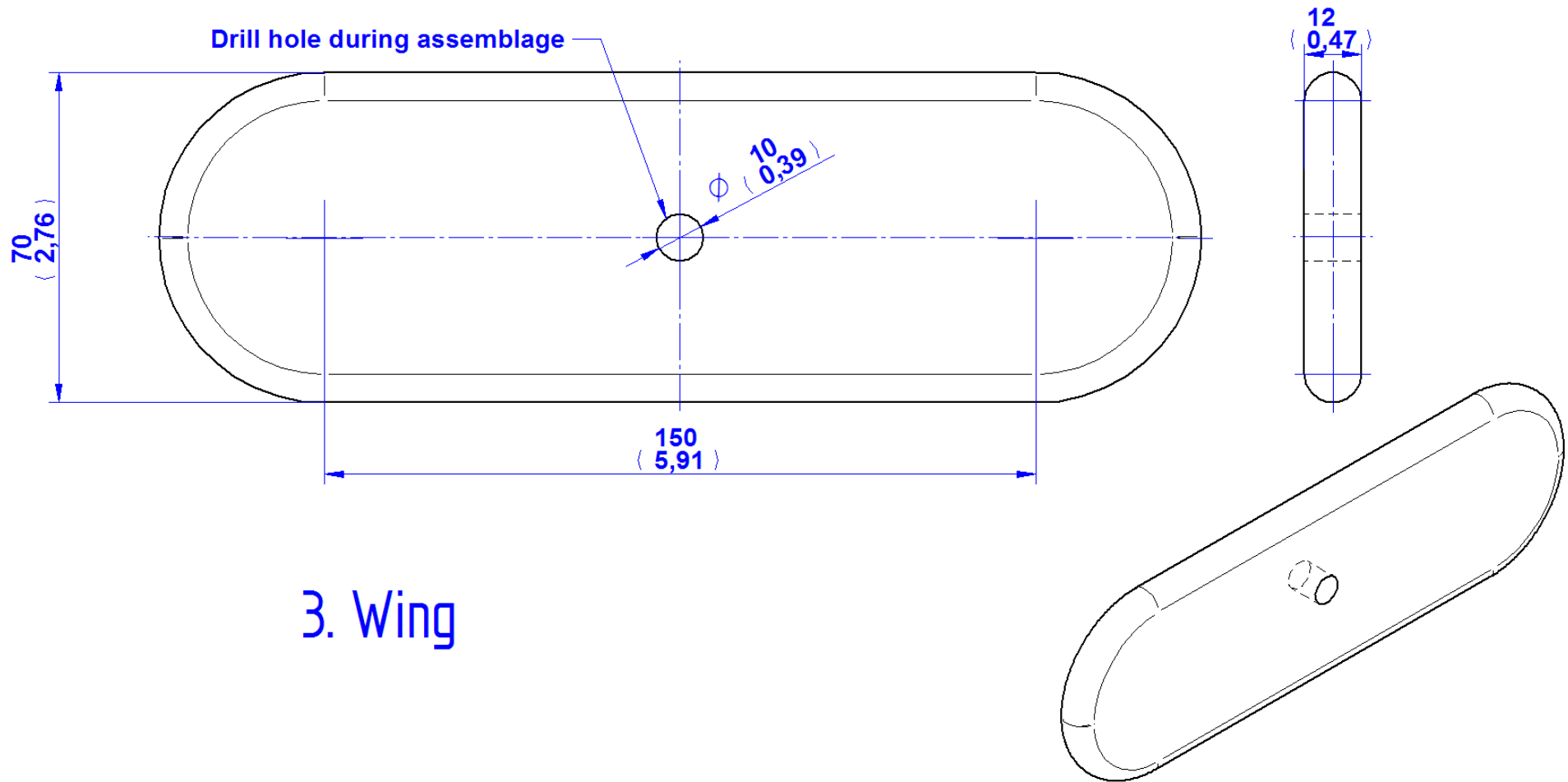




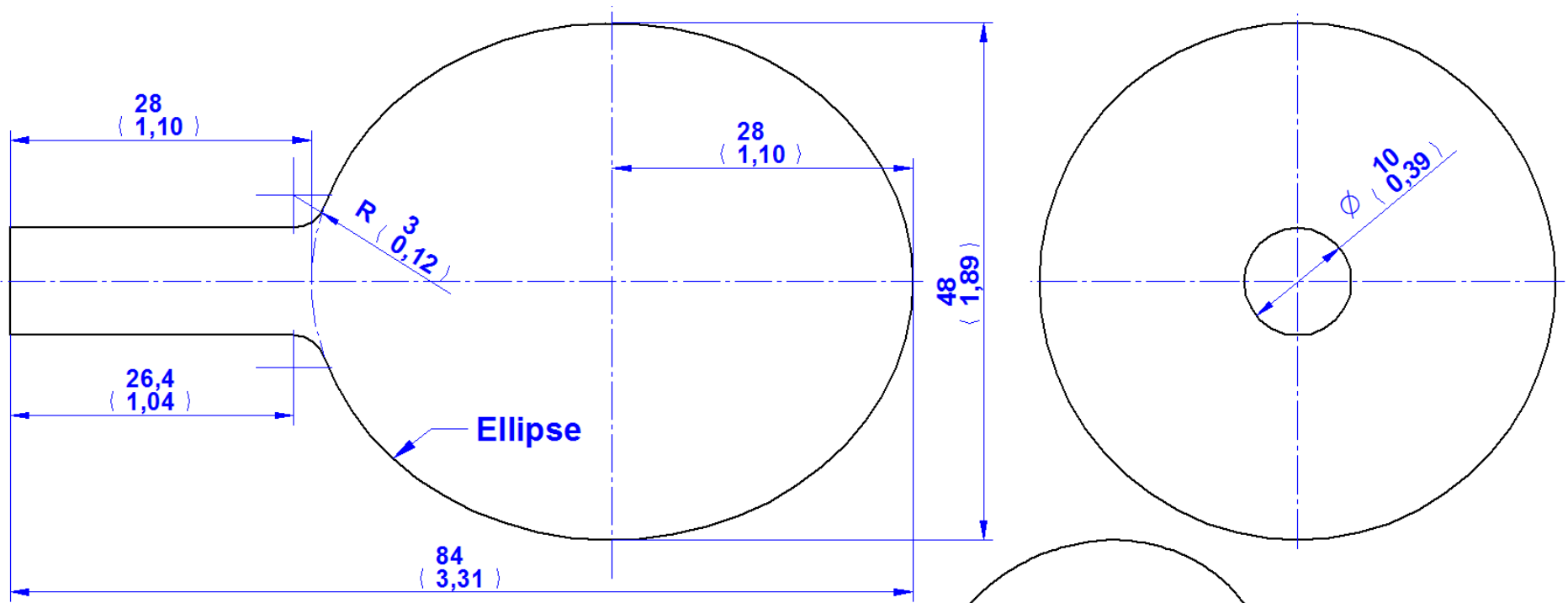
1. Fuselage



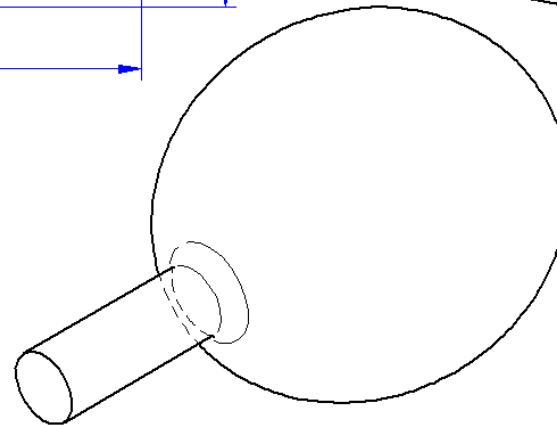
2. Horizontal Tail

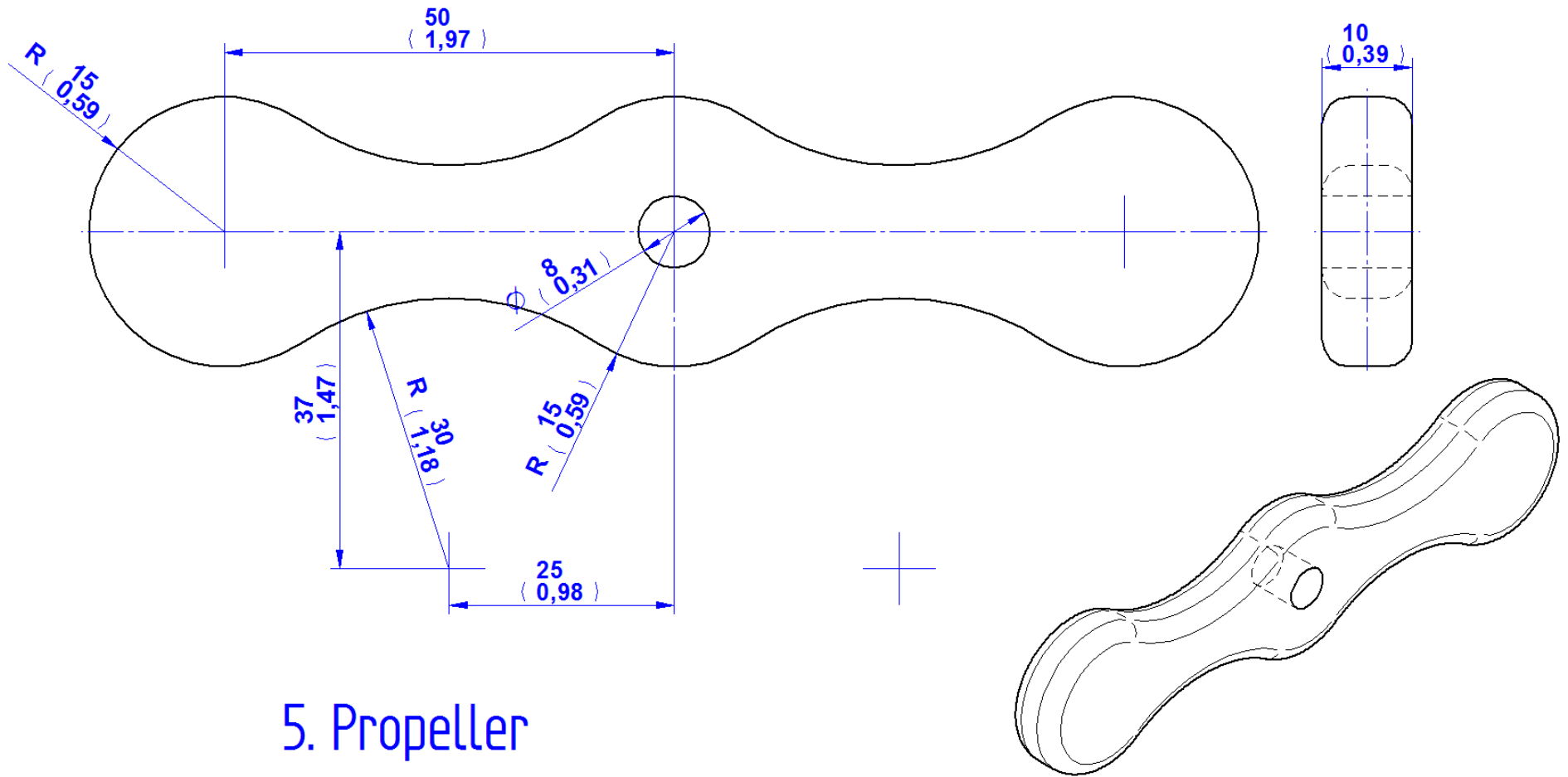


3. Wing

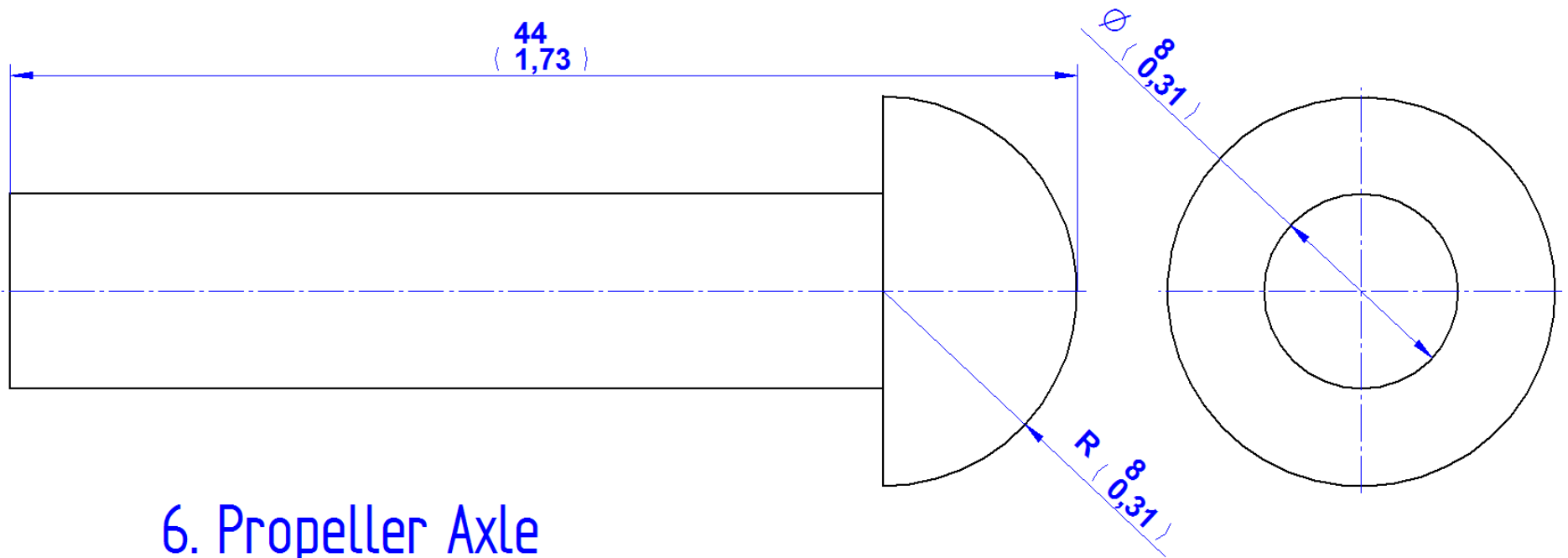


4. Pilot

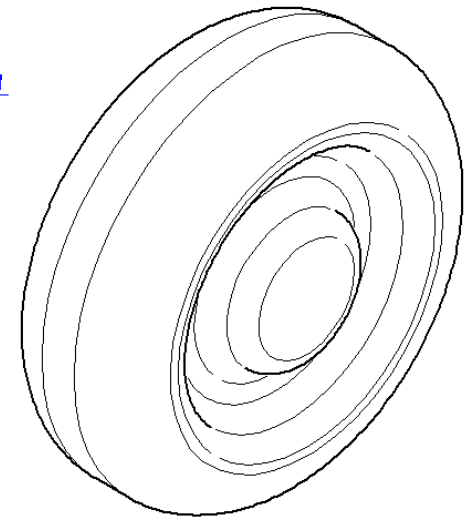
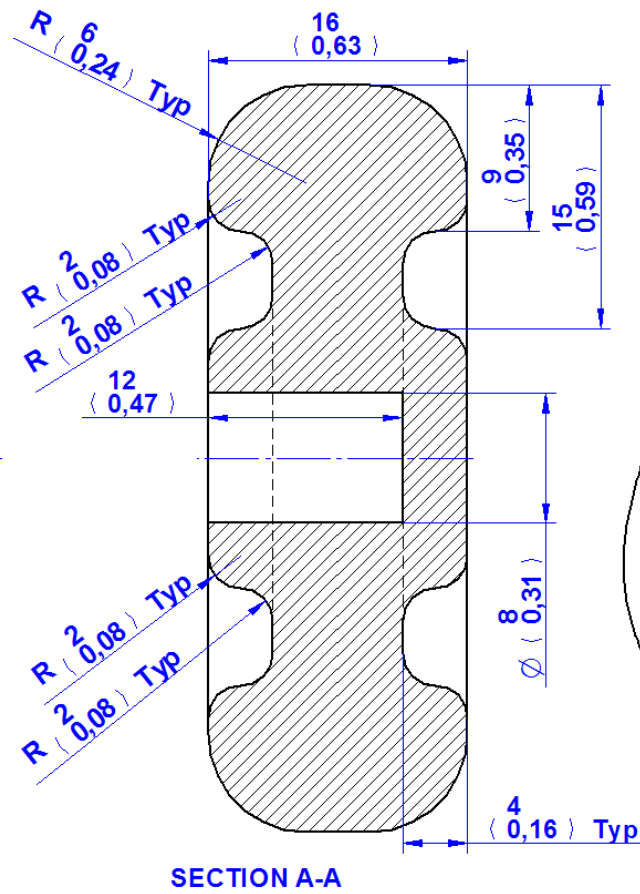
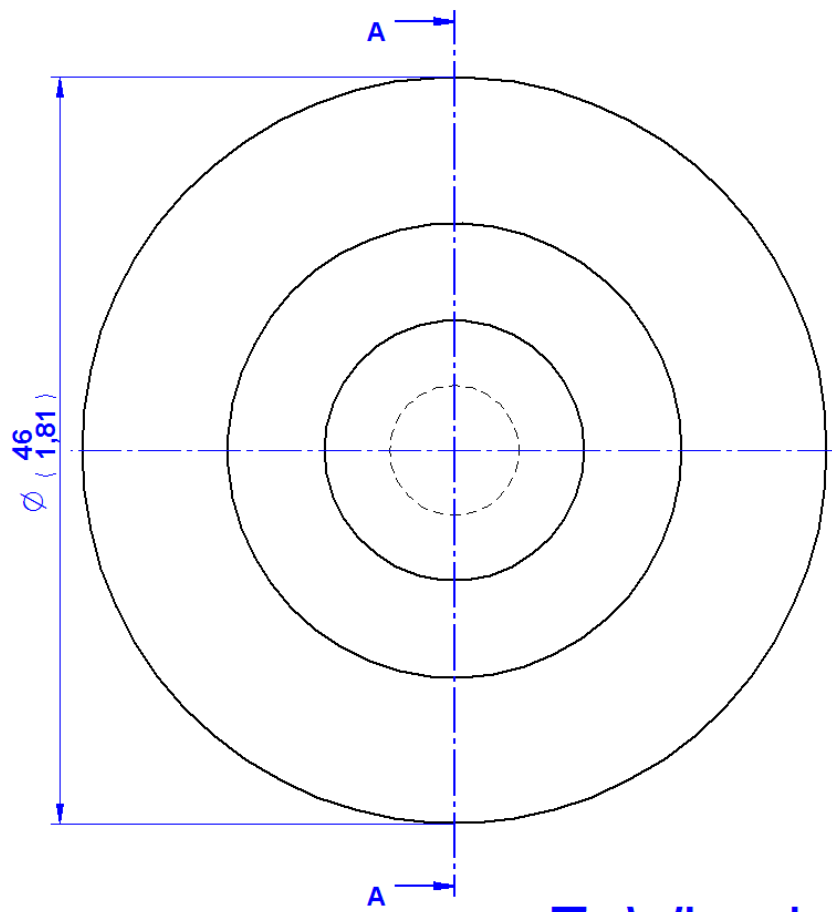




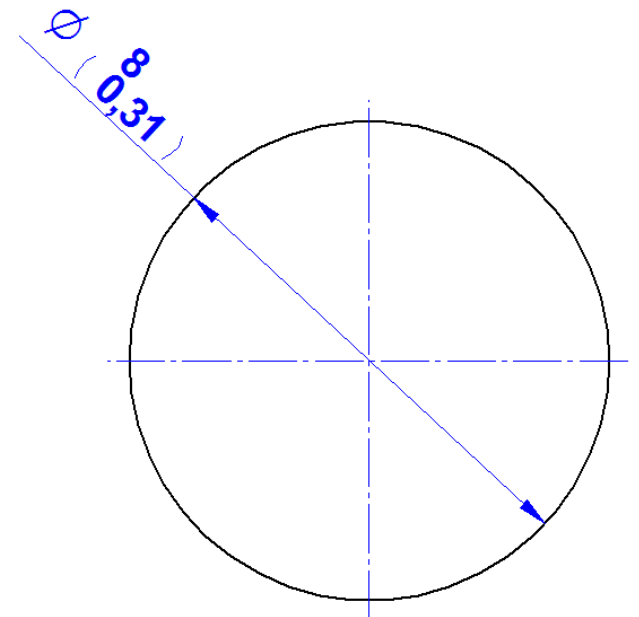
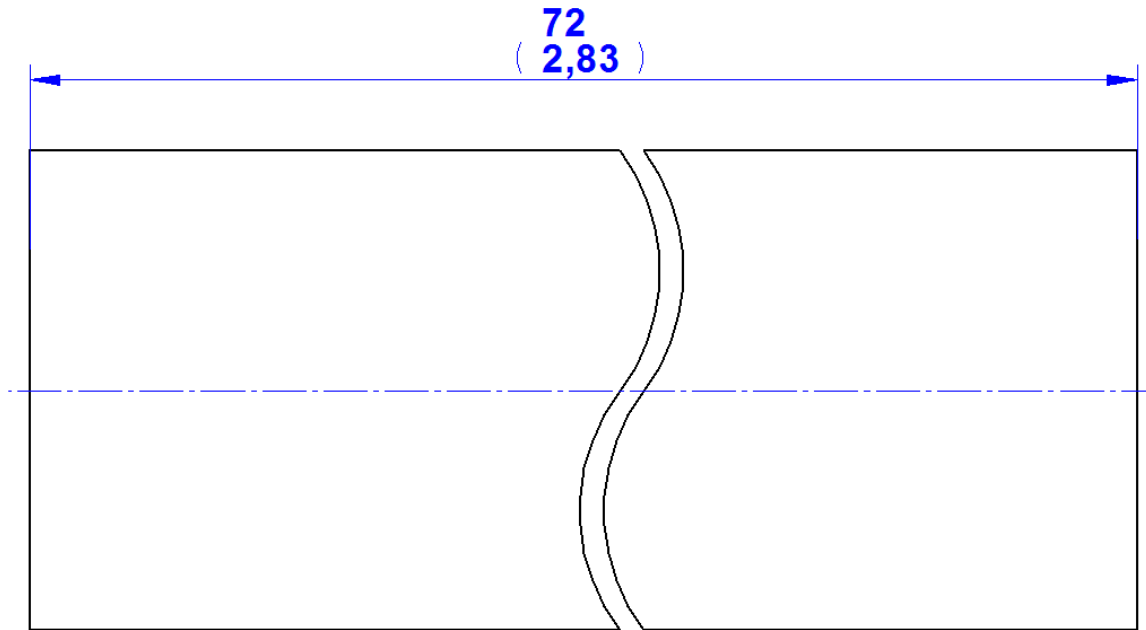
5. Propeller



6. Propeller Axle

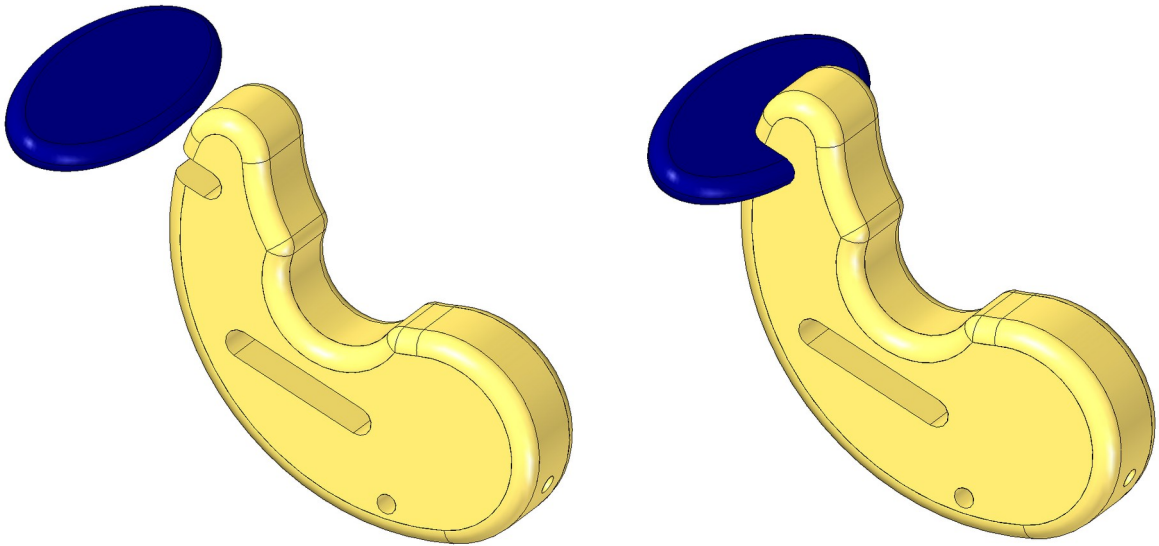


7. Wheel

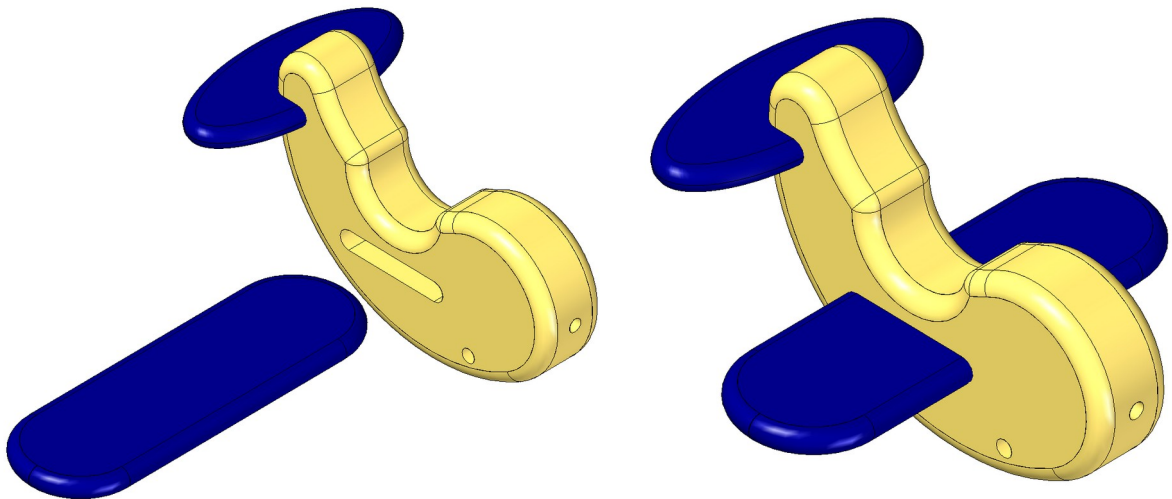


8. Wheel Axle

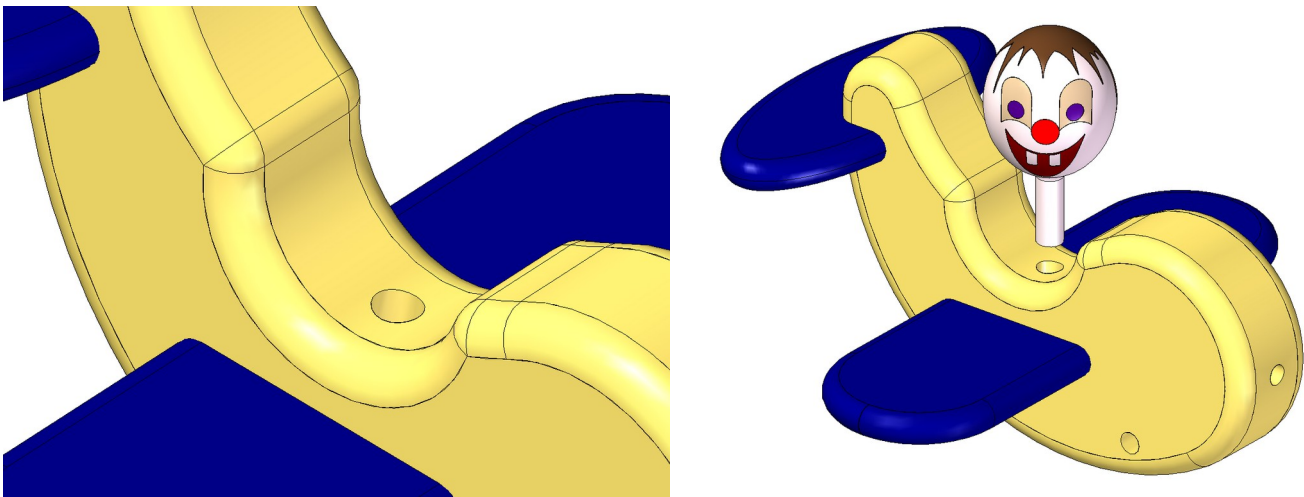
1.



2.

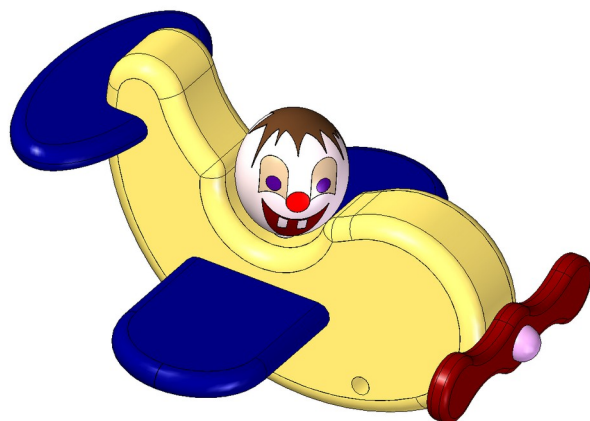
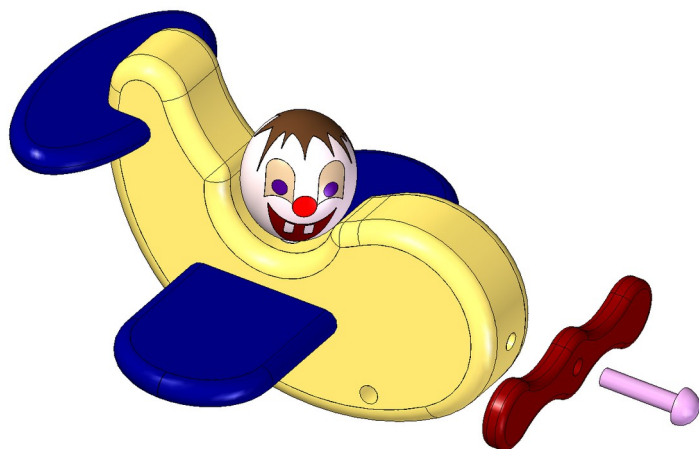


3.





4.



5.

