

Garden bicycle plant holder plan



With this free metalworking plan you can make garden bicycle plant holder.

This charming decorative wrought iron bicycle plant stand sculpture is outstanding piece for any type of garden. Its classic elegance will not only draw attention to all of the guests and neighbors, but it will also be a great peaceful object to look at and rest your mind. On its beautiful wrought iron body, bicycle plant stand has four baskets in the back, one in the middle and one on the seat. With a good selection of the plants, this garden plant holder will bring delight to you for a many, many seasons.

The bicycle plant holder is entirely made of metal, its crafting requires a lot of experience and at least basic knowledge of metal processing (cutting, bending, welding ...), as well as a lot of your time that you are willing to spend on it. Since the finished plant holder is supposed to find its place in the garden, exposed to the elements, we recommend that you protect all the metal surfaces with some primer paint and do the finish painting with a color you like. Also, we recommend that the entire bicycle plant holder is painted with a color that makes metal look aged, thus creating the rust and patina effect for more rustic/antique appeal. Today there are many such colors for metal that can be purchased at reasonable prices.

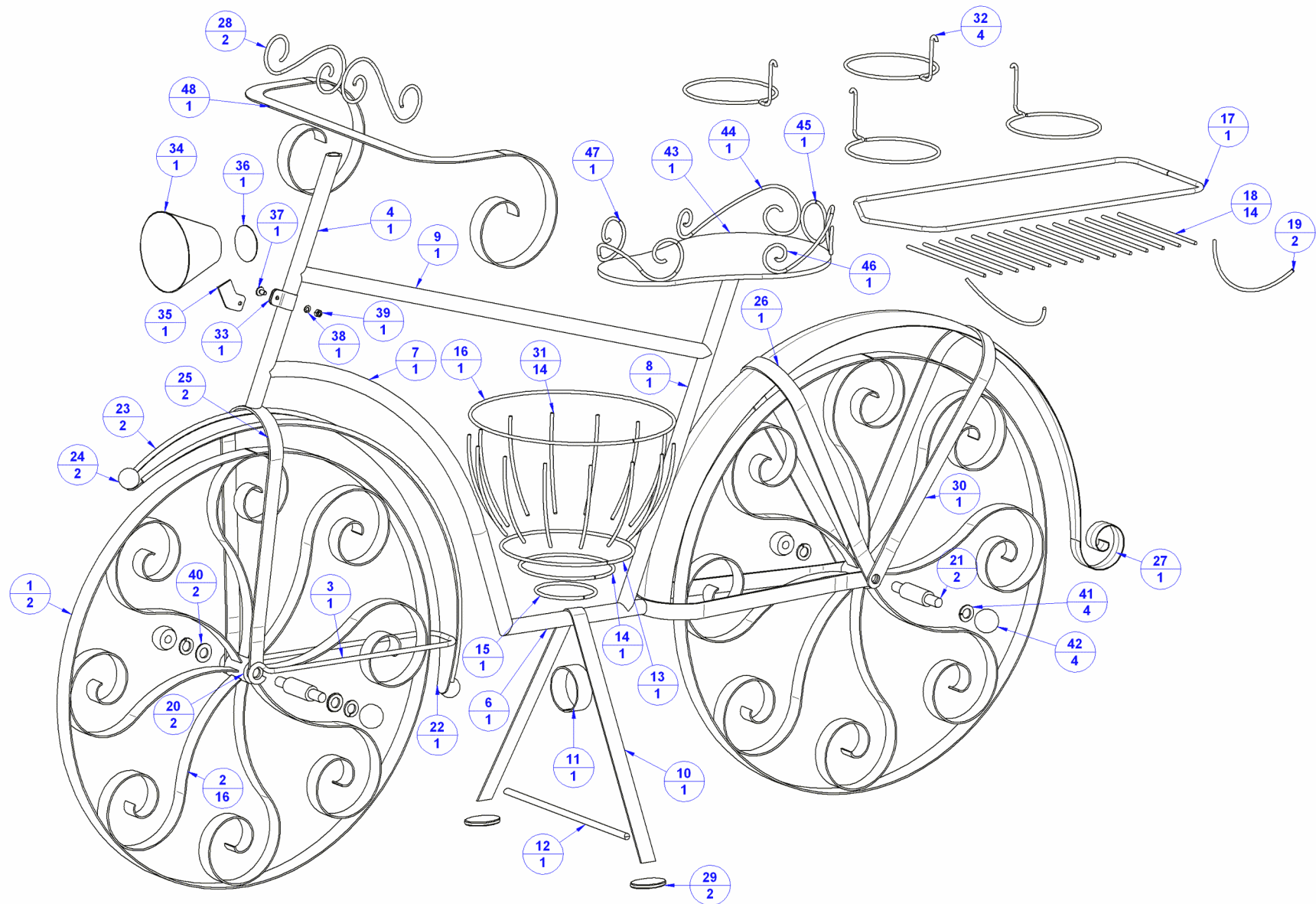
If you do not have the time or skills needed to make this plant holder, try to find a discarded vintage bicycle that can be refurbished and repainted; then shop for some complementary baskets (or make them yourselves) and weld/mount them to the bike. In this way, you might get a bicycle plant holder not as attractive as the one in our project, but it will certainly be a nice garden decoration created with far less effort and at a lower price.

However, if you have made up your mind and you have the necessary skills, do not hesitate to make this bicycle plant holder based on our drawings, and feel free to redesign it to your liking. On the Internet there is a large number of pictures of bicycle plant holders that can give you ideas on how your bicycle should look like, what basket size to choose, whether you prefer front or rear baskets, etc.

If you are interested in smaller-sized bicycle plant holders, here are two interesting projects that you can find on the following links: [Garden tricycle plant holder plan](#), [Rustic tricycle planter plan](#).

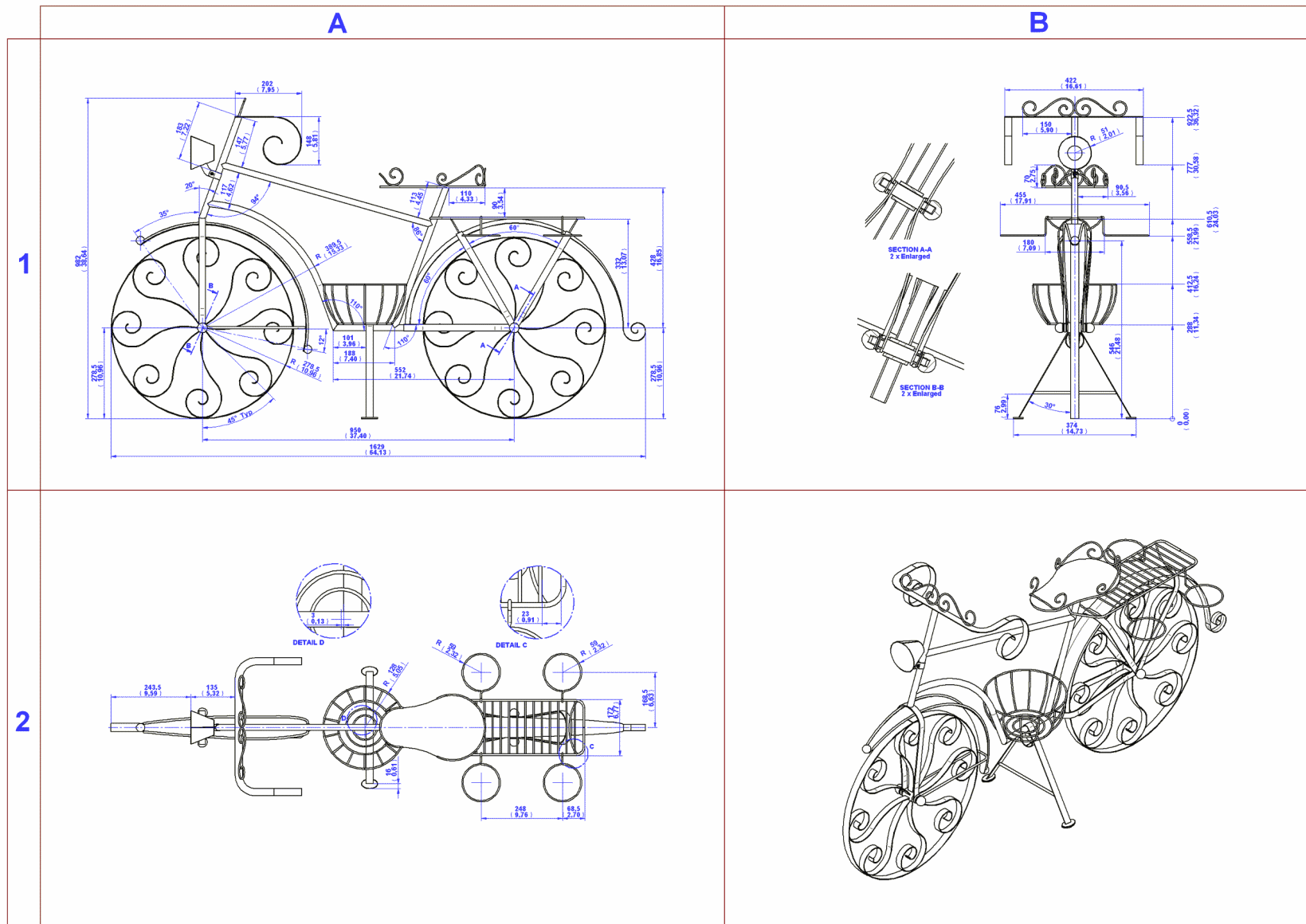
We hope that you are pleased with this welding project of ours, and that you will share your experience by sending us the photos of your own finished projects.

Parts List

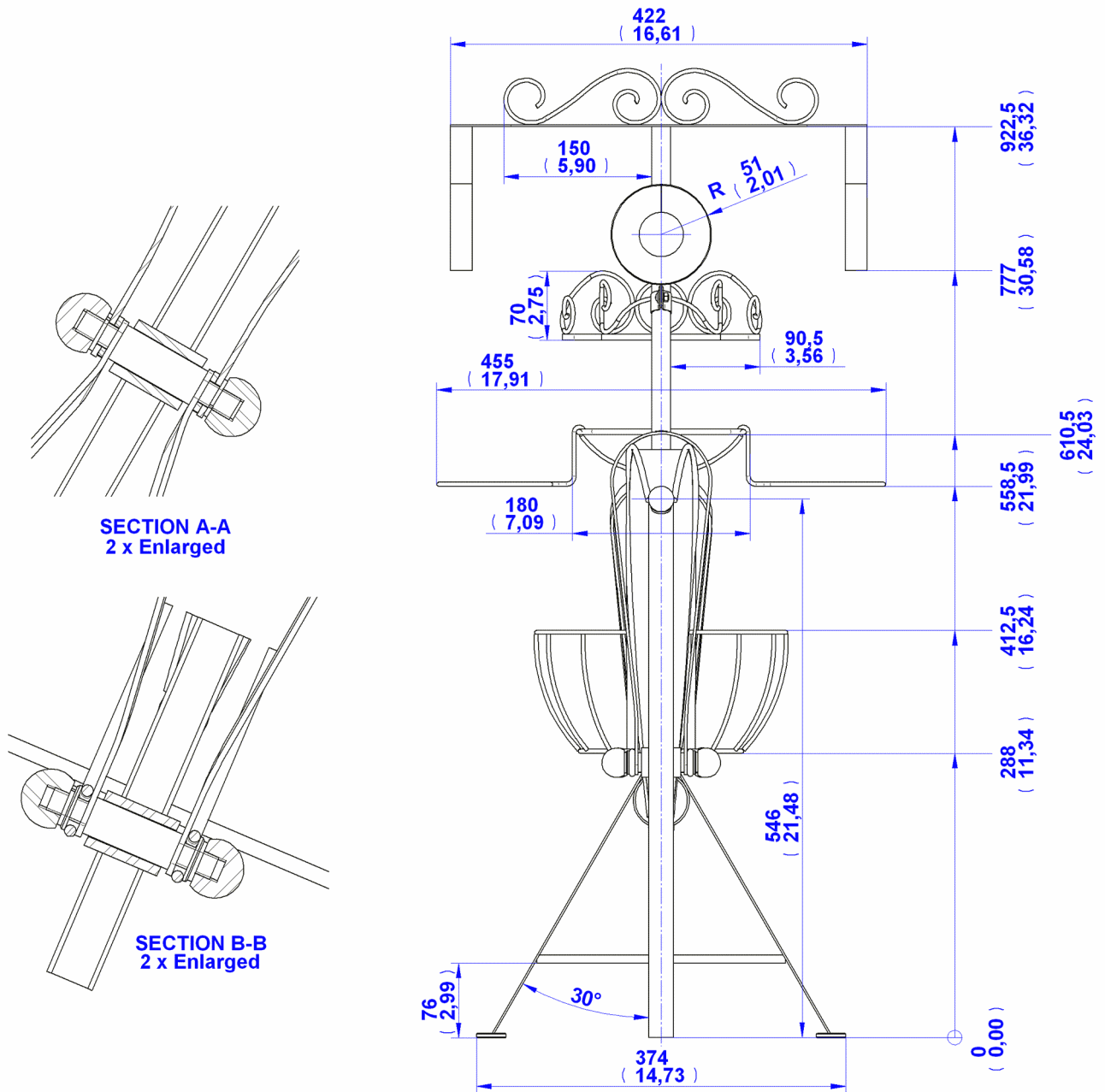


Item Number	Title	Material	Quantity	Item Number	Title	Material	Quantity
1	Flat Bar 25 x 2mm - Wheel	Steel	2	26	Flat Bar 20x3mm - Back Fork 1	Steel	1
2	Flat Bar 20 x 2mm - Spiral Spoke	Steel	16	27	Back Mudguard	Steel	1
3	Round Bar D6mm - Front Mudguard Stay	Steel	1	28	Handle Bar Spiral	Steel	2
4	Tube D19 x 2,6 - Head Tube	Steel	1	29	Leg Plate	Steel	2
6	Tube D19 x 2,6 - Down Tube	Steel	1	30	Flat Bar 20x3mm - Back Fork 2	Steel	1
7	Tube D19 x 2,6 - Wheel Tube	Steel	1	31	Round Bar D4mm - Basket 5	Steel	14
8	Tube D19 x 2,6 - Seat Tube	Steel	1	32	Round Bar D4mm - Carrier Plant Holder	Steel	4
9	Tube D19 x 2,6 - Top Tube	Steel	1	33	Lamp Holder	Steel	1
10	Flat Bar 22x2mm - Leg	Steel	1	34	Lamp	Steel	1
11	Flat Bar 22x2mm - Leg Circle	Steel	1	35	Lamp Support	Steel	1
12	Round Bar D8mm - Leg Slat	Steel	1	36	Lamp Back Cover	Steel	1
13	Round Bar D4mm - Basket 1	Steel	1	37	Fillister head screw M5x10mm	Steel	1
14	Round Bar D4mm - Basket 2	Steel	1	38	Lock washer 5mm	Steel	1
15	Round Bar D4mm - Basket 3	Steel	1	39	Hexagon nut M5	Steel	1
16	Round Bar D4mm - Basket 4	Steel	1	40	Washer 12mm	Steel	2
17	Round Bar D6mm - Carrier	Steel	1	41	Lock washer 12mm	Steel	4
18	Round Bar D4mm - Carrier Slat	Steel	14	42	Hub Ball	Steel	4
19	Round Bar D4mm - Carrier Support	Steel	2	43	Seat	Steel	1
20	Hub	Steel	2	44	Seat Back Spiral	Steel	1
21	Axle	Steel	2	45	Seat Back Circle	Steel	1
22	Front Mudguard	Steel	1	46	Seat Back Spiral Mirror	Steel	1
23	Round Bar D6mm - Mudguard	Steel	2	47	Seat Front Spiral	Steel	1
24	Mudguard Ball	Steel	2	48	Flat Bar 22 x 2mm - Handle bar	Steel	1
25	Flat Bar 20x3mm - Front Fork	Steel	2				

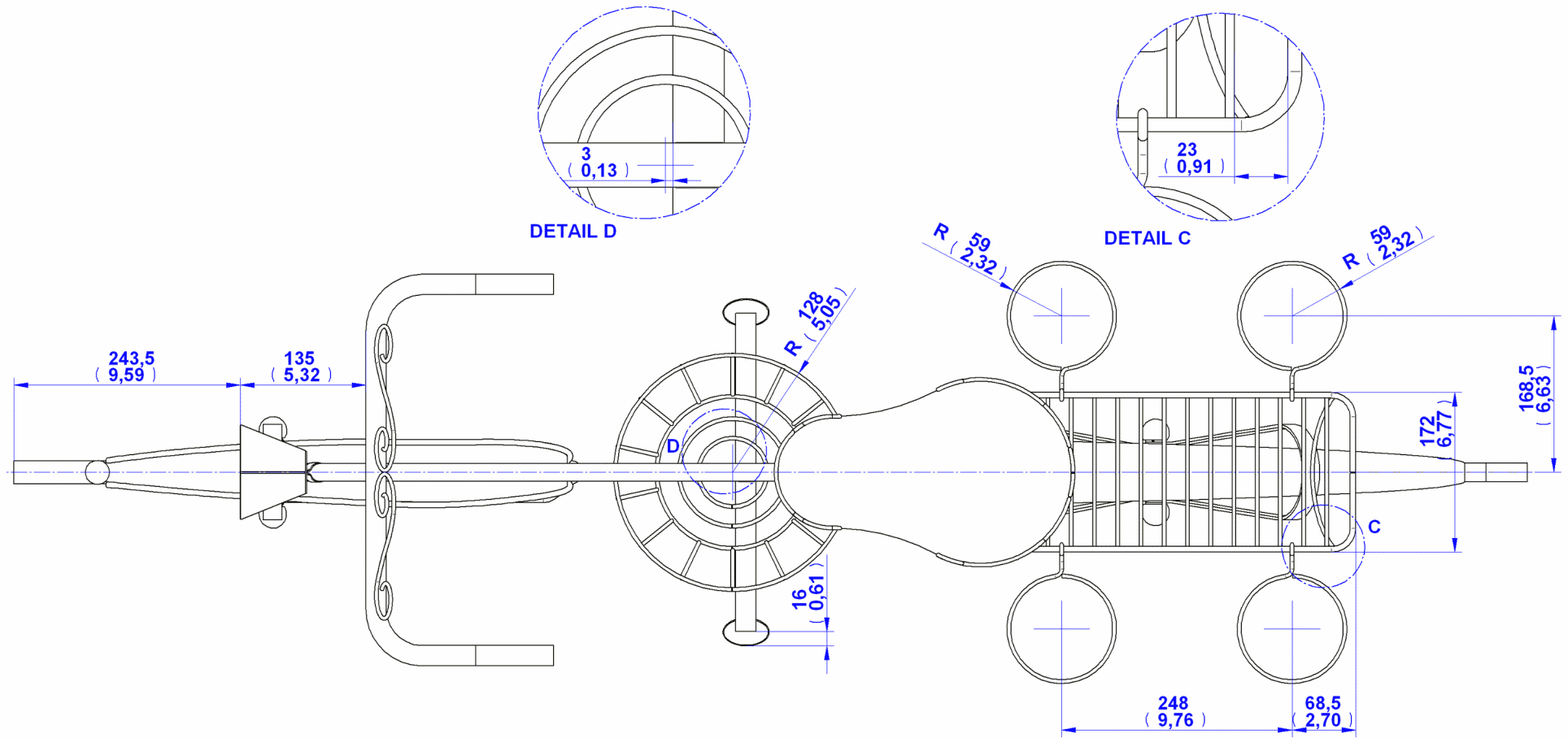
Assembly Drawing



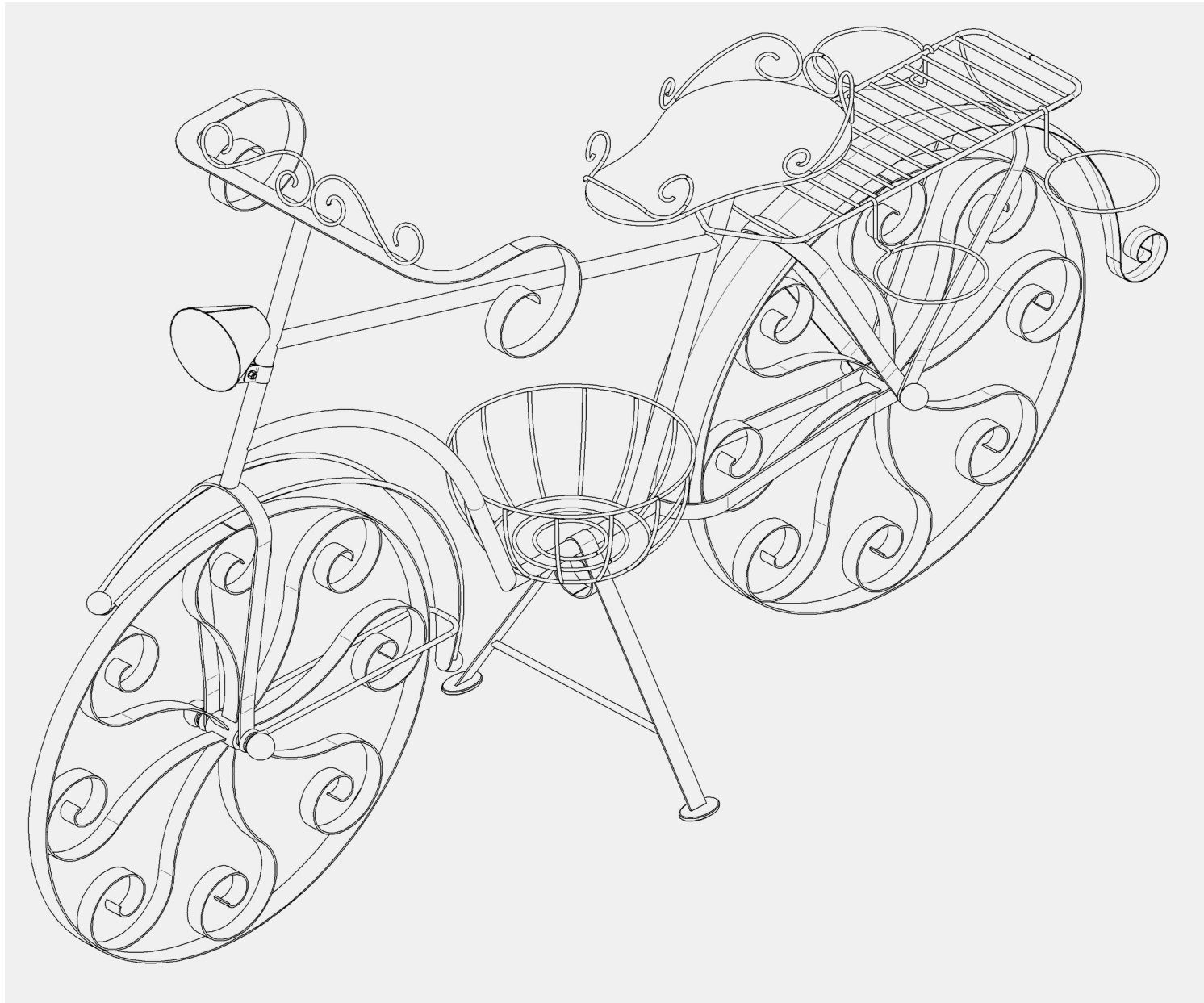
Segment B1

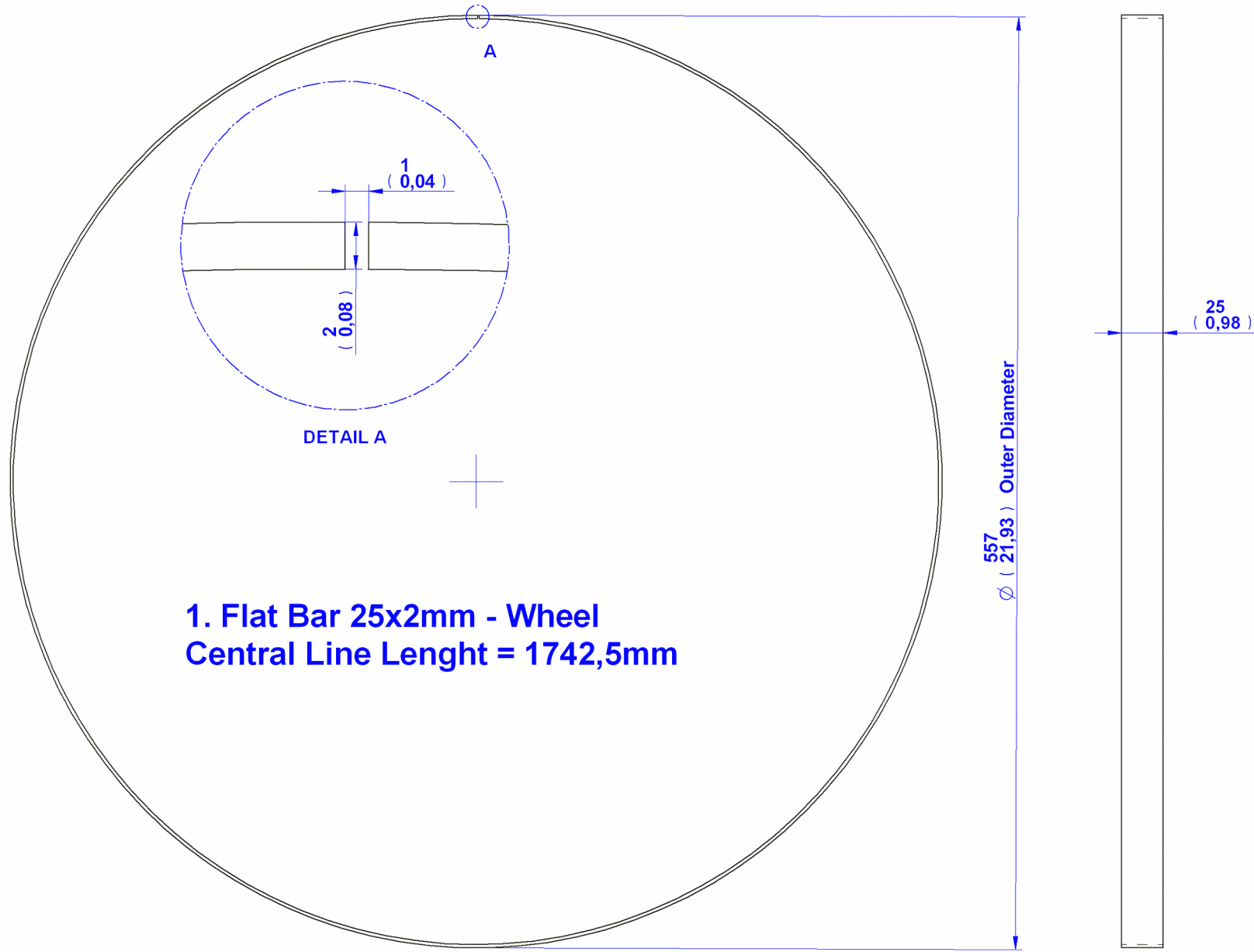


Segment A2

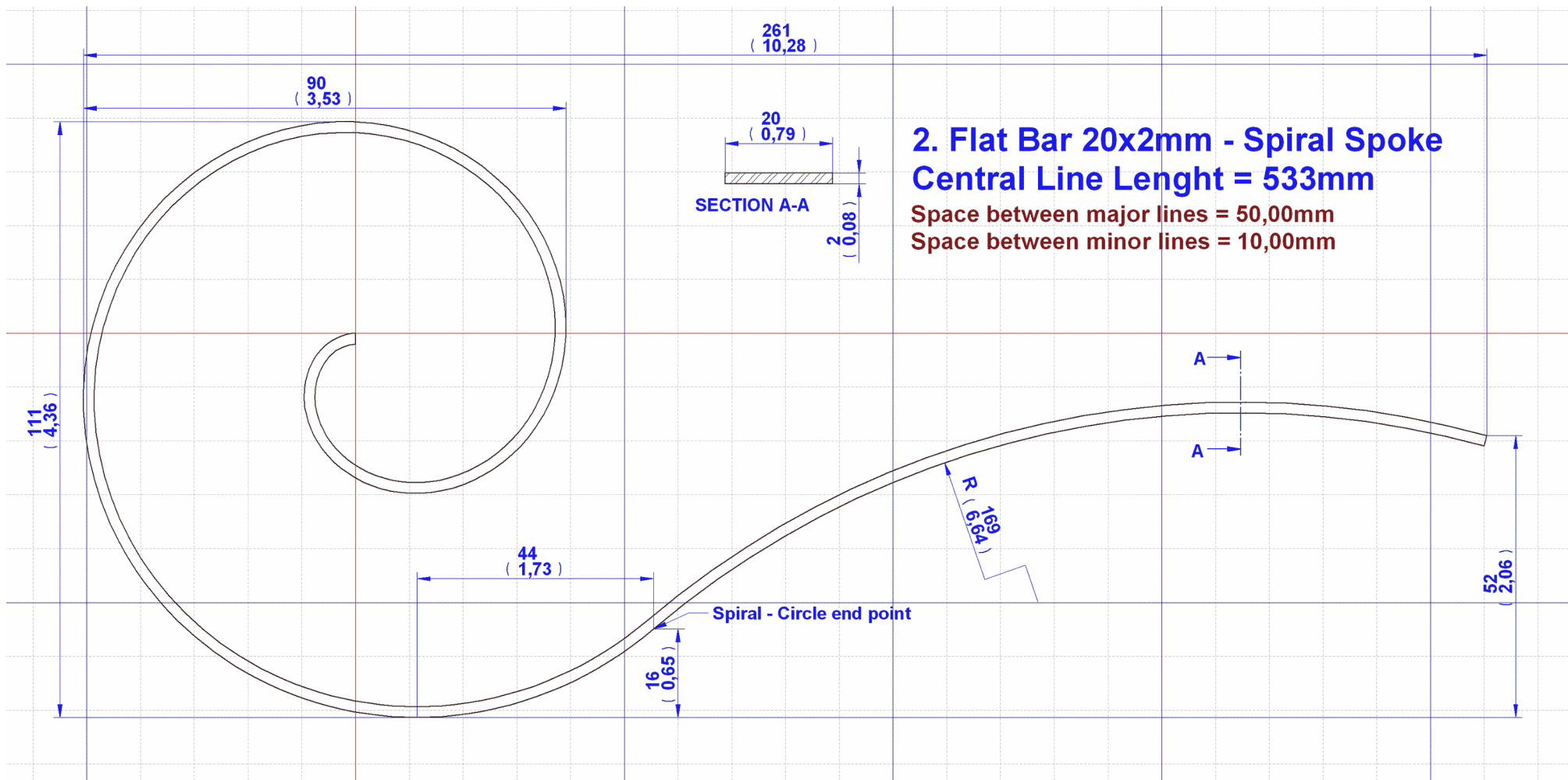


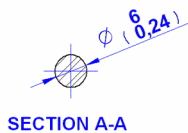
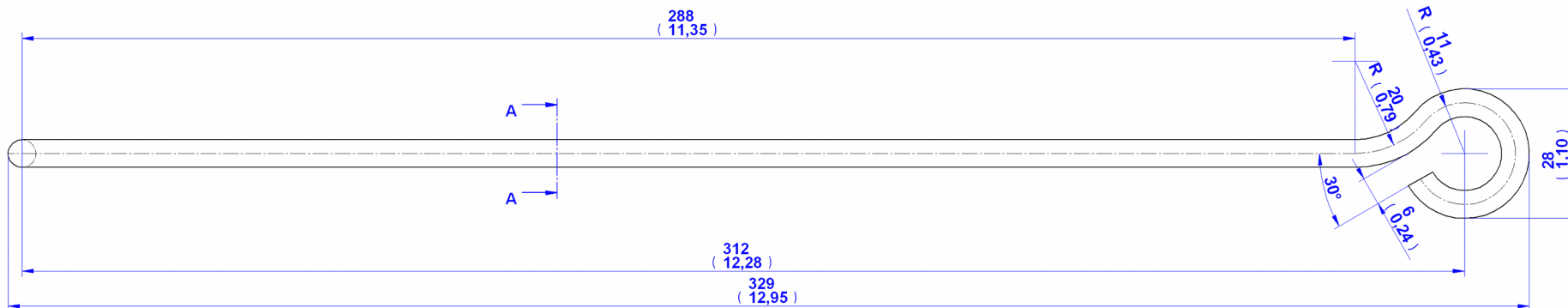
Segment B2



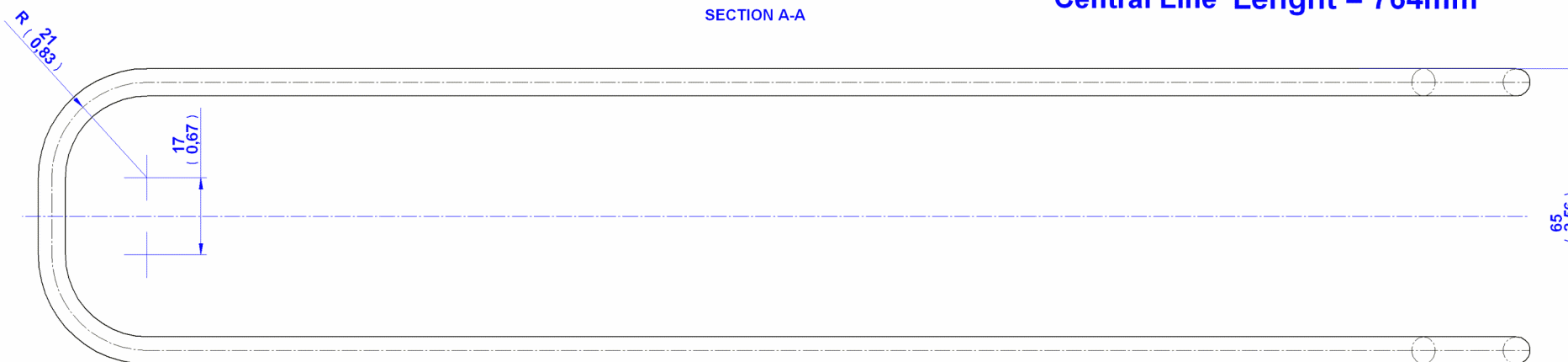


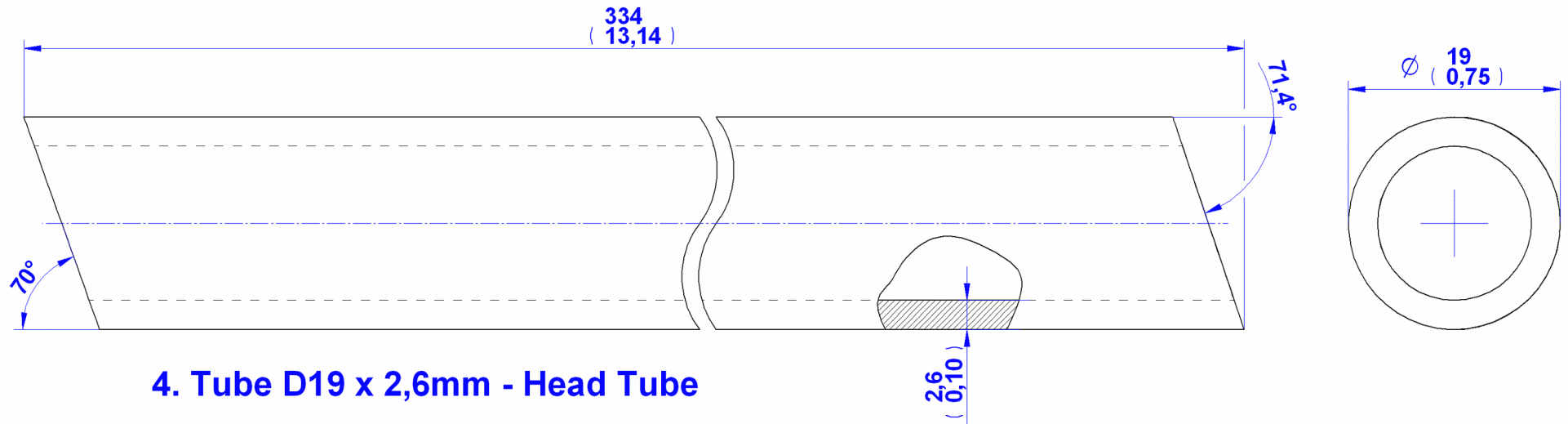
1. Flat Bar 25x2mm - Wheel
Central Line Length = 1742,5mm



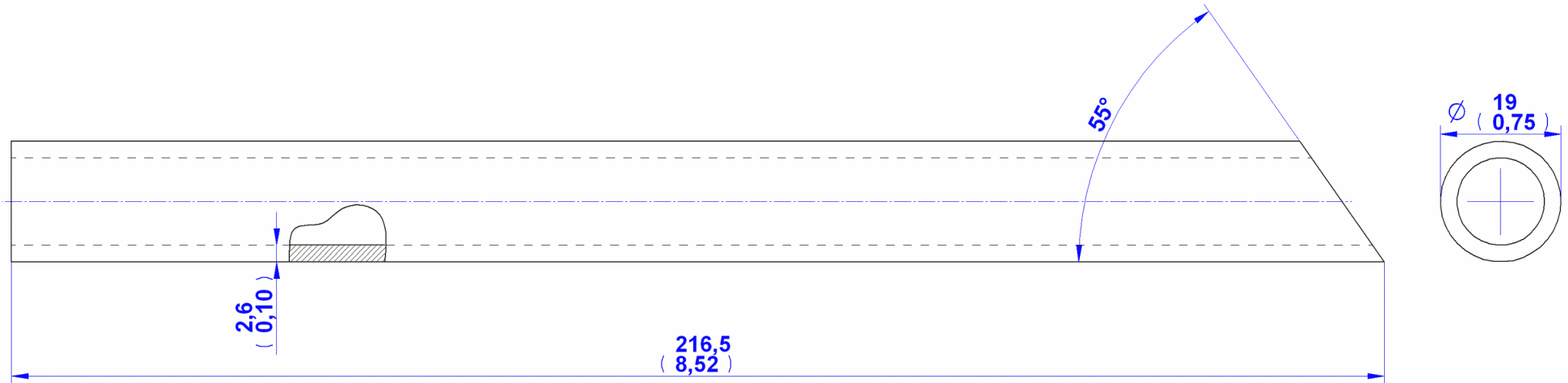


3. Round Bar D6mm - Front Mudguard Stay Central Line Length = 764mm

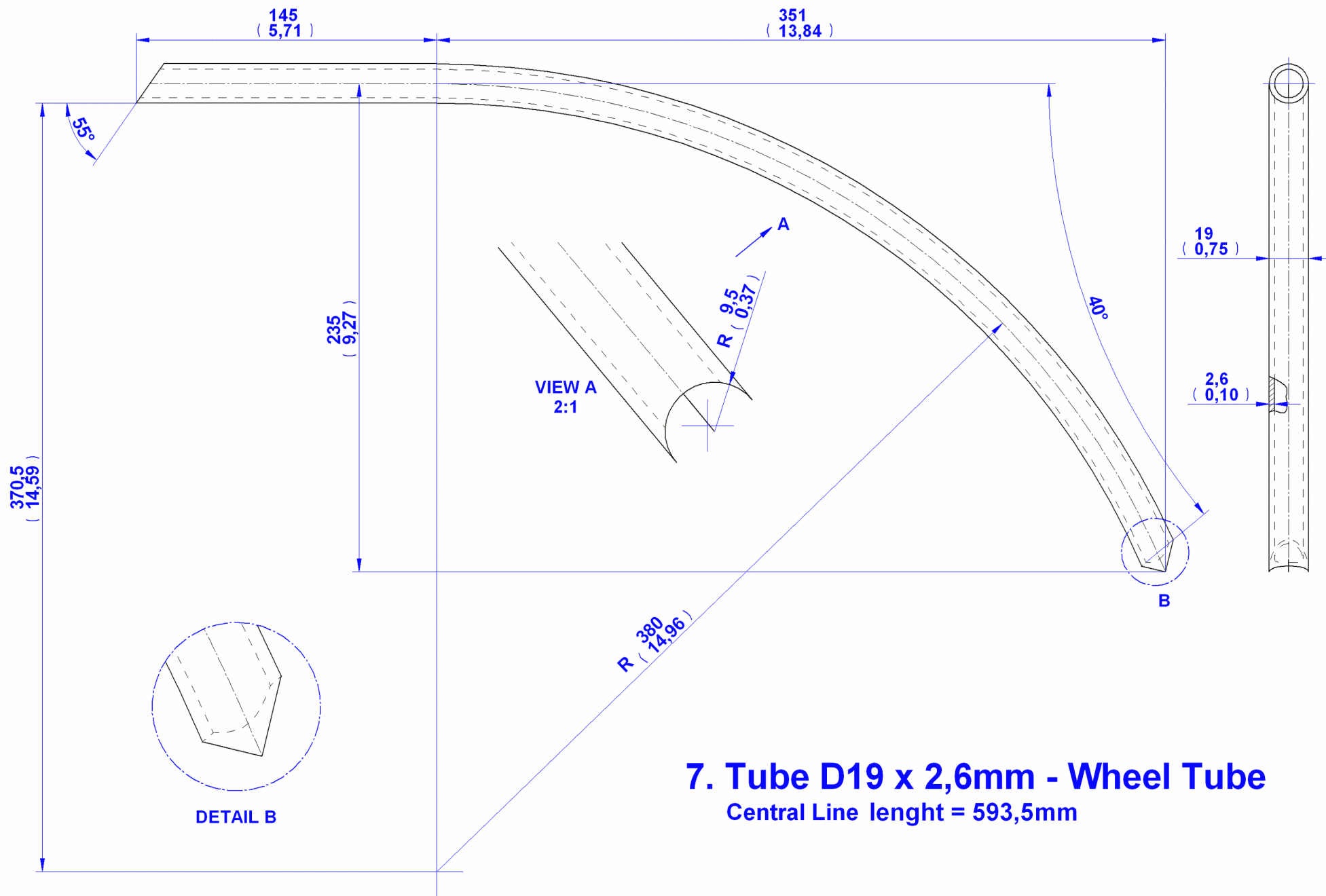


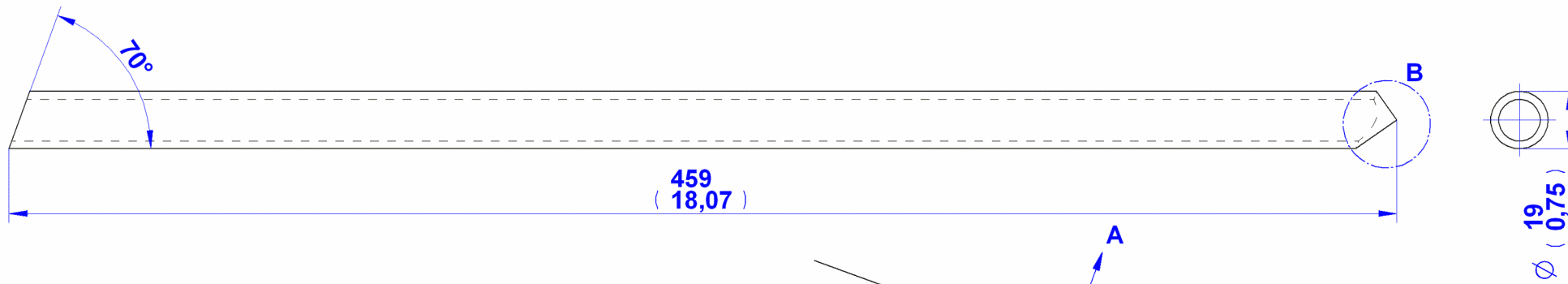


4. Tube D19 x 2,6mm - Head Tube

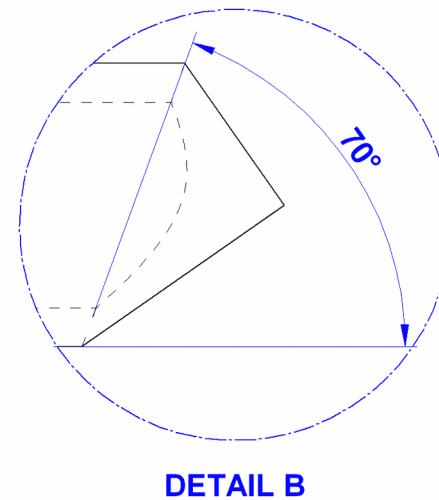
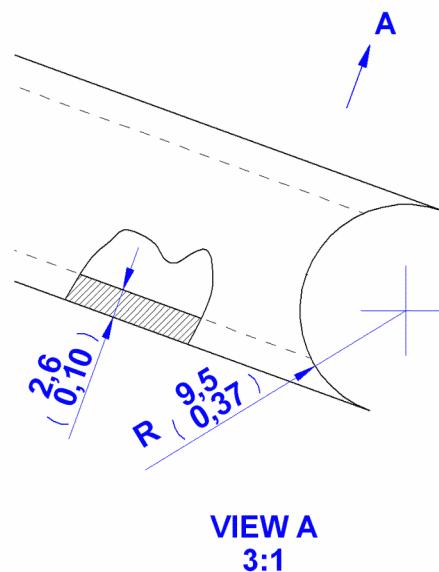


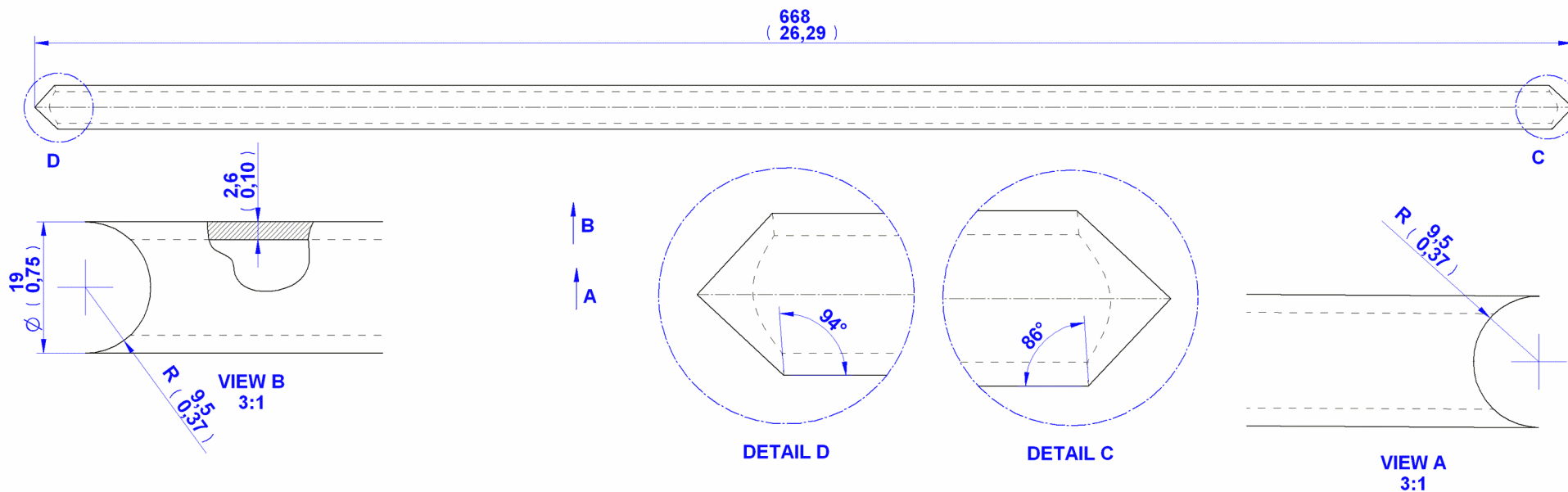
6. Tube D19 x 2,6mm - Down tube



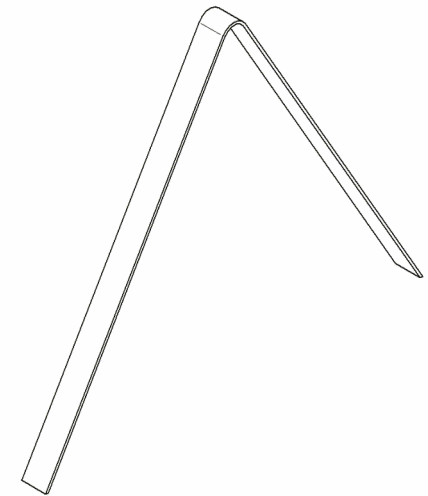
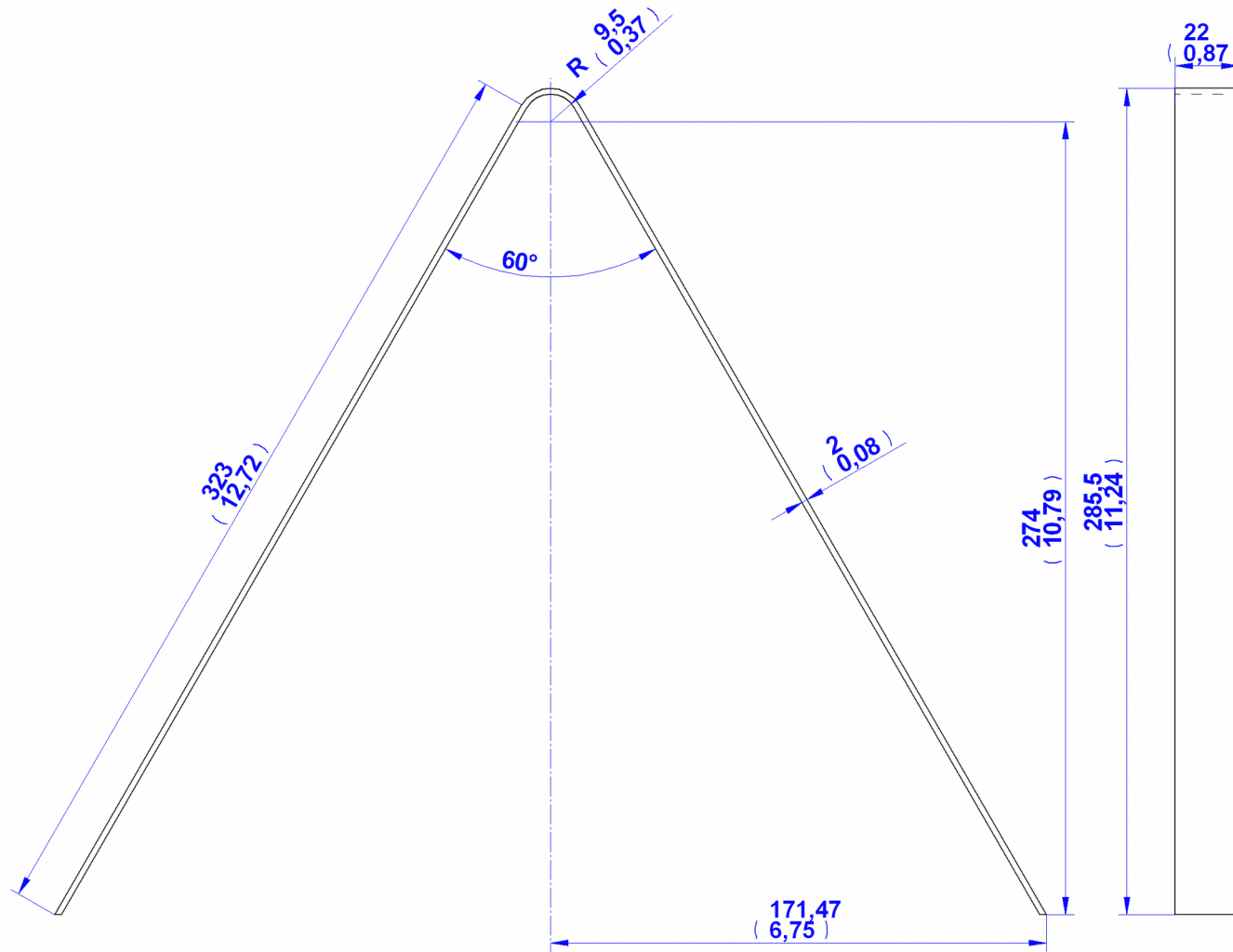


8. Tube D19 x 2,6mm - Seat tube

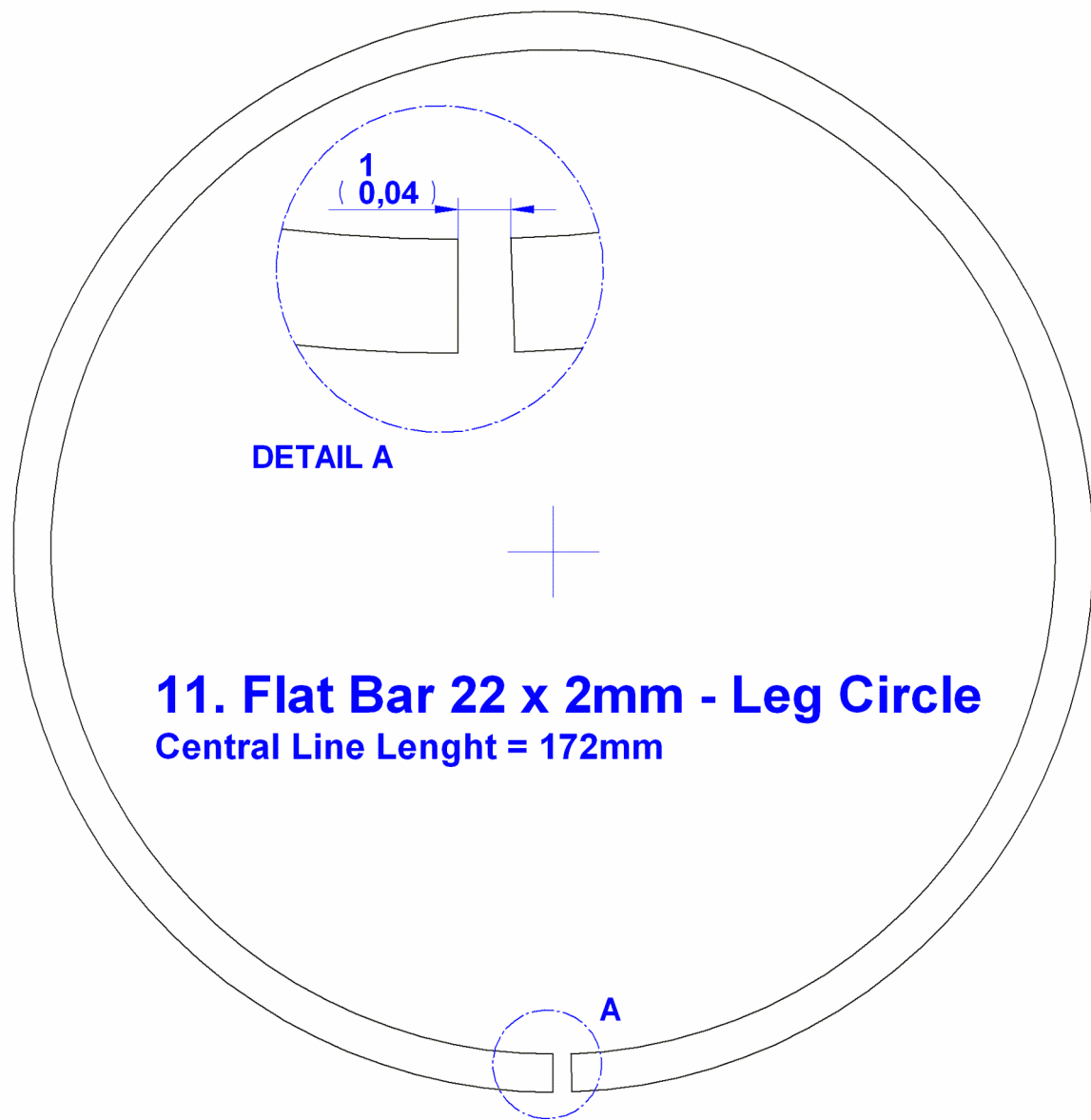




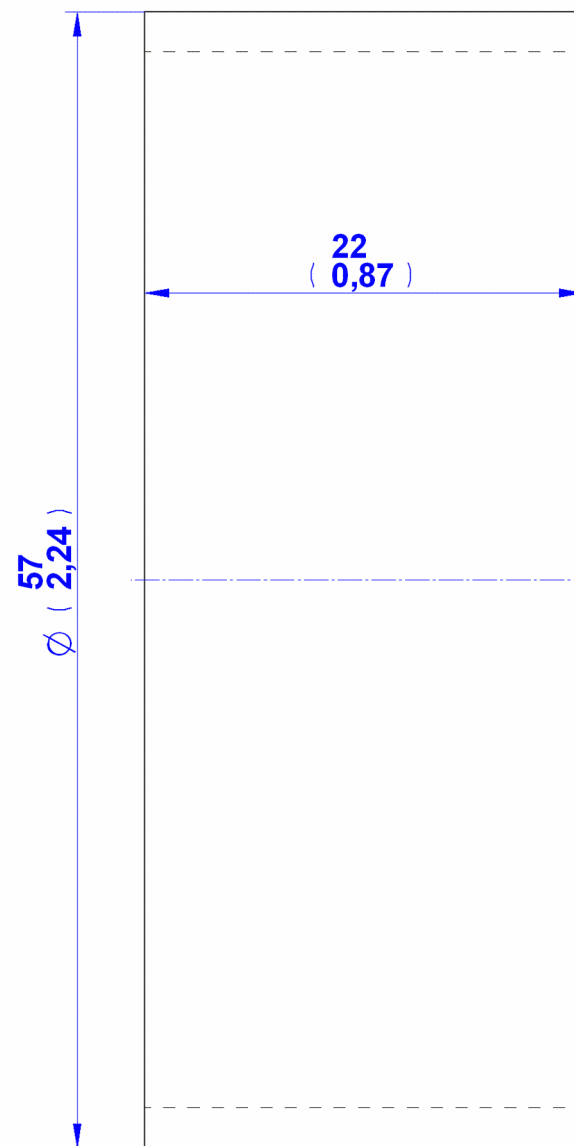
9. Tube D19 x 2,6mm - Top tube

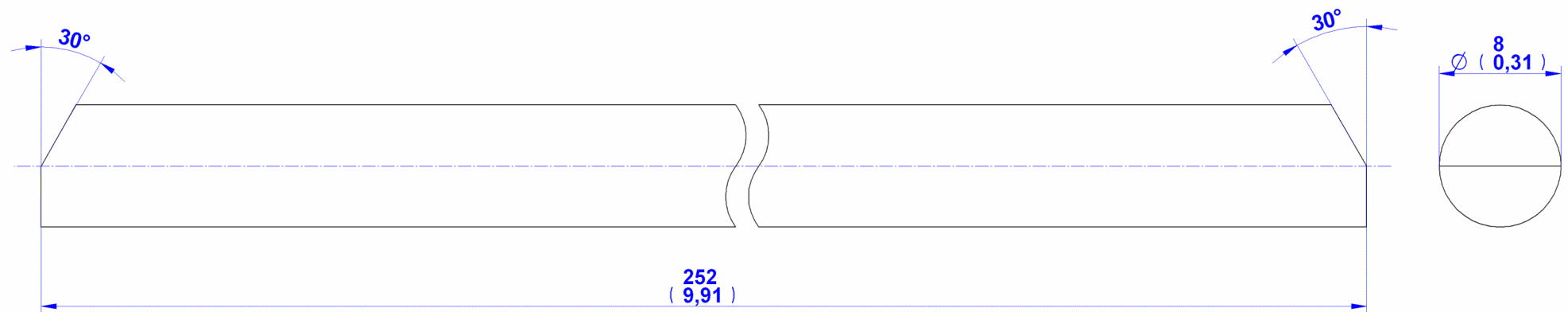


10. Flat Bar 22 x 2mm - Leg
Central Line Length = 668mm

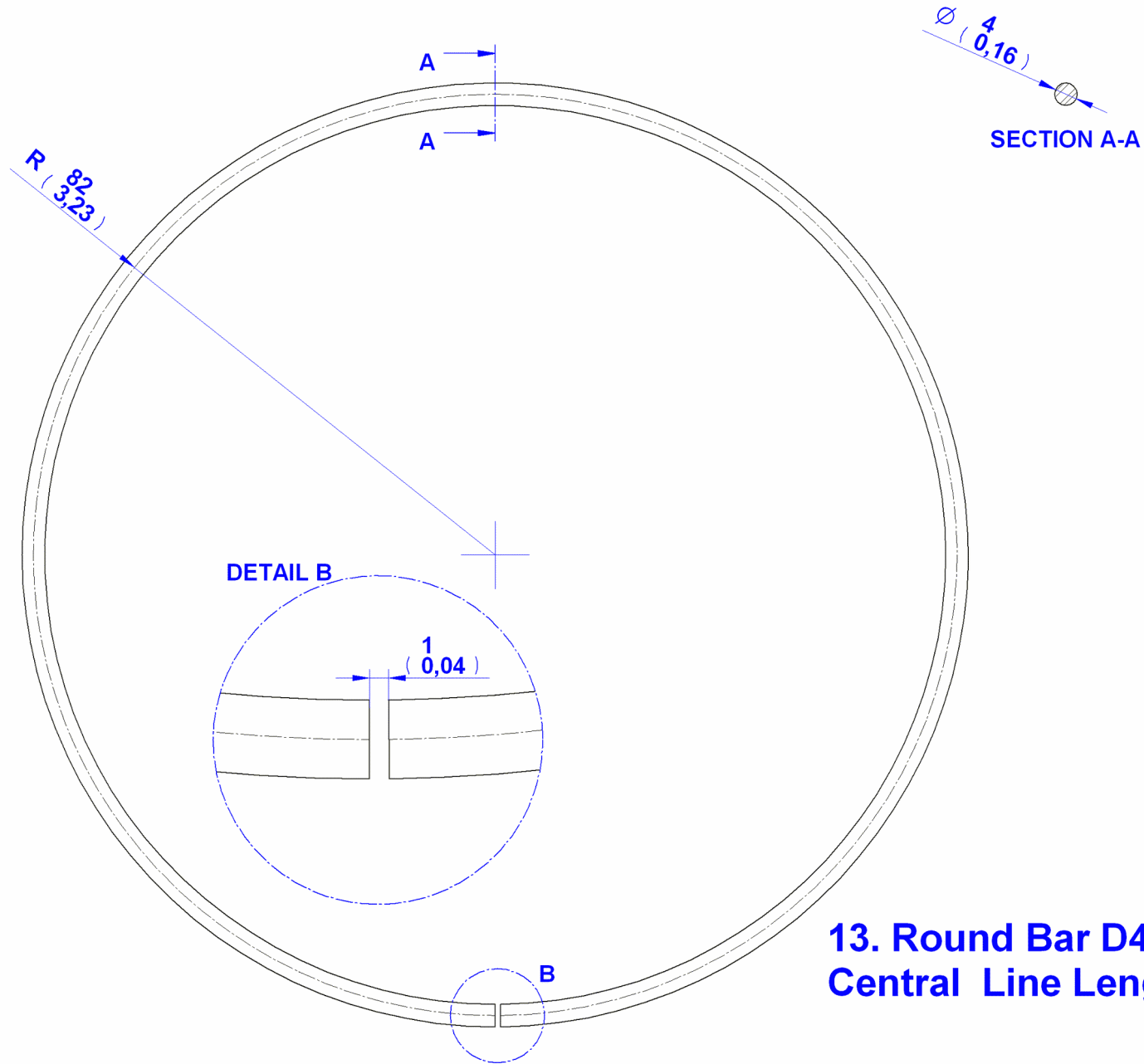


11. Flat Bar 22 x 2mm - Leg Circle
Central Line Length = 172mm

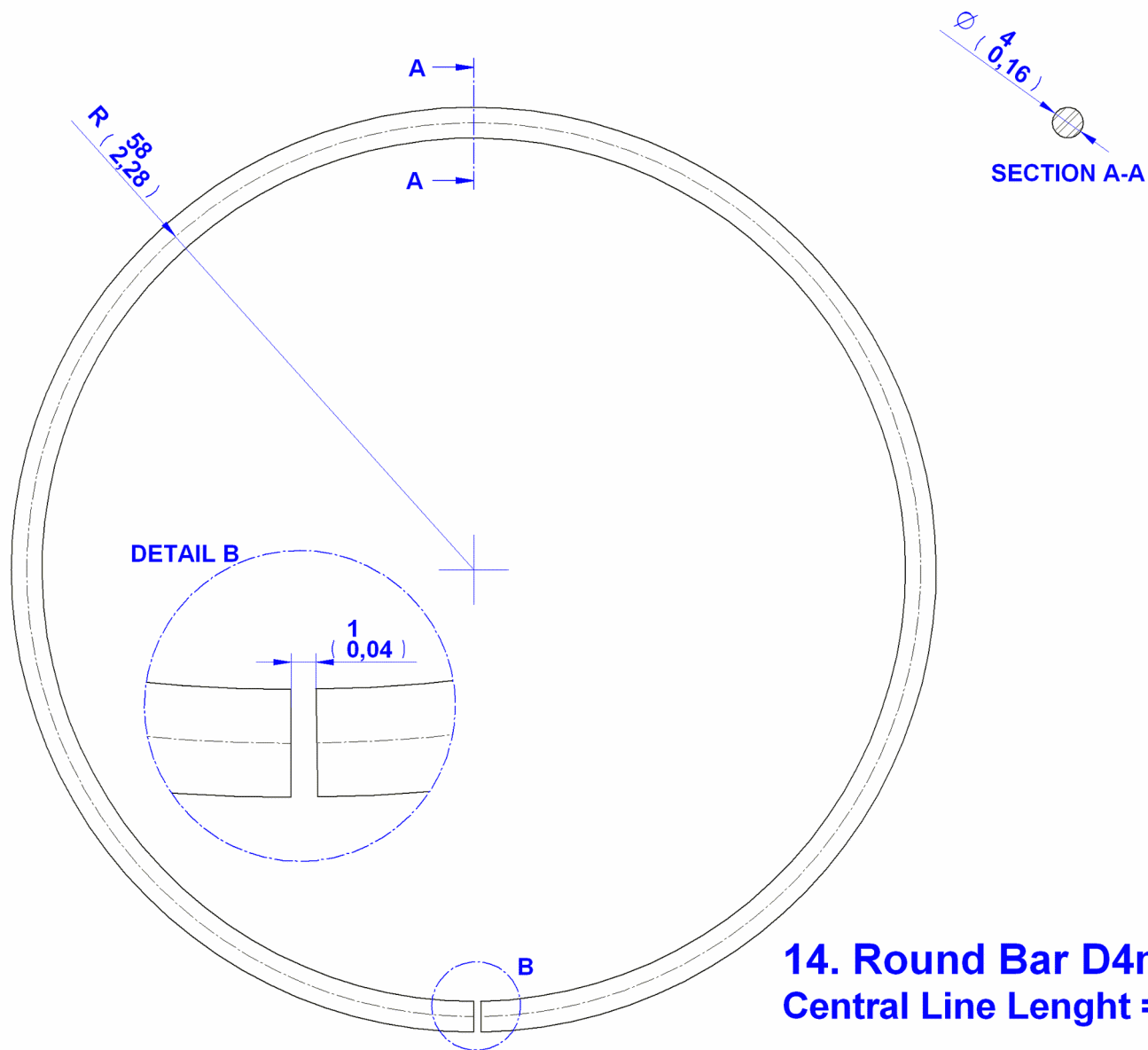




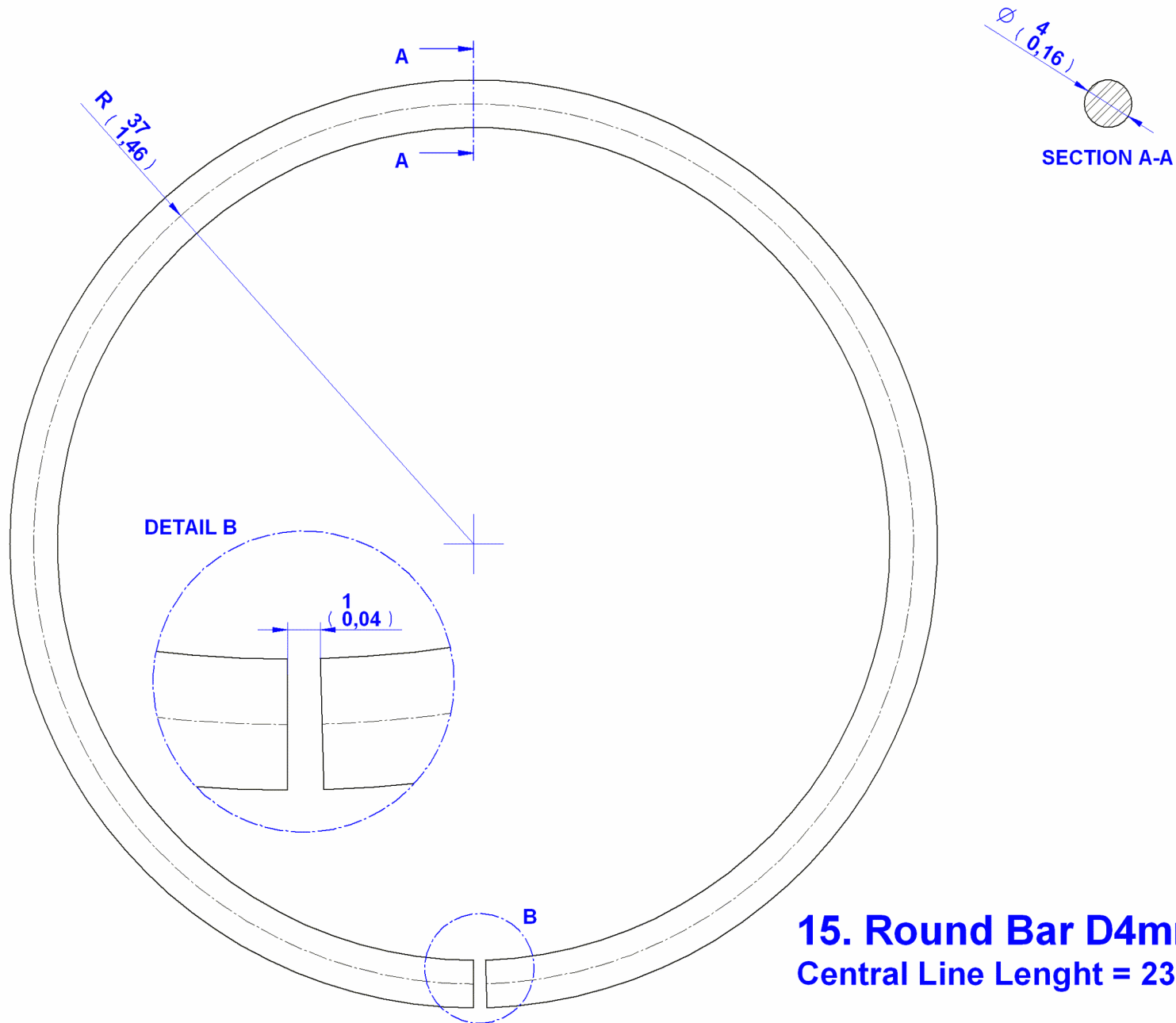
12. Round Bar D8mm - Leg Slat



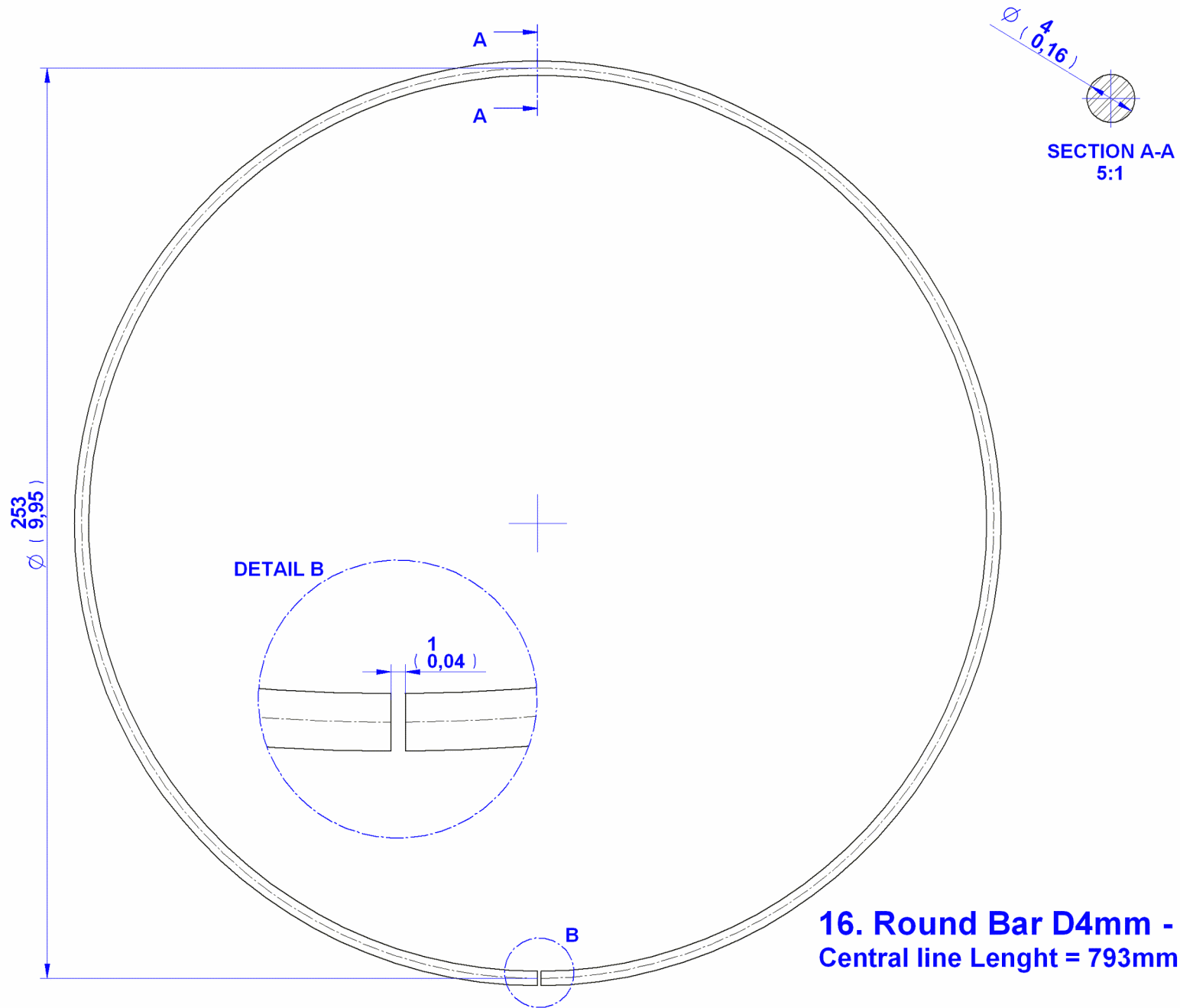
13. Round Bar D4mm - Basket 1
Central Line Length = 514mm



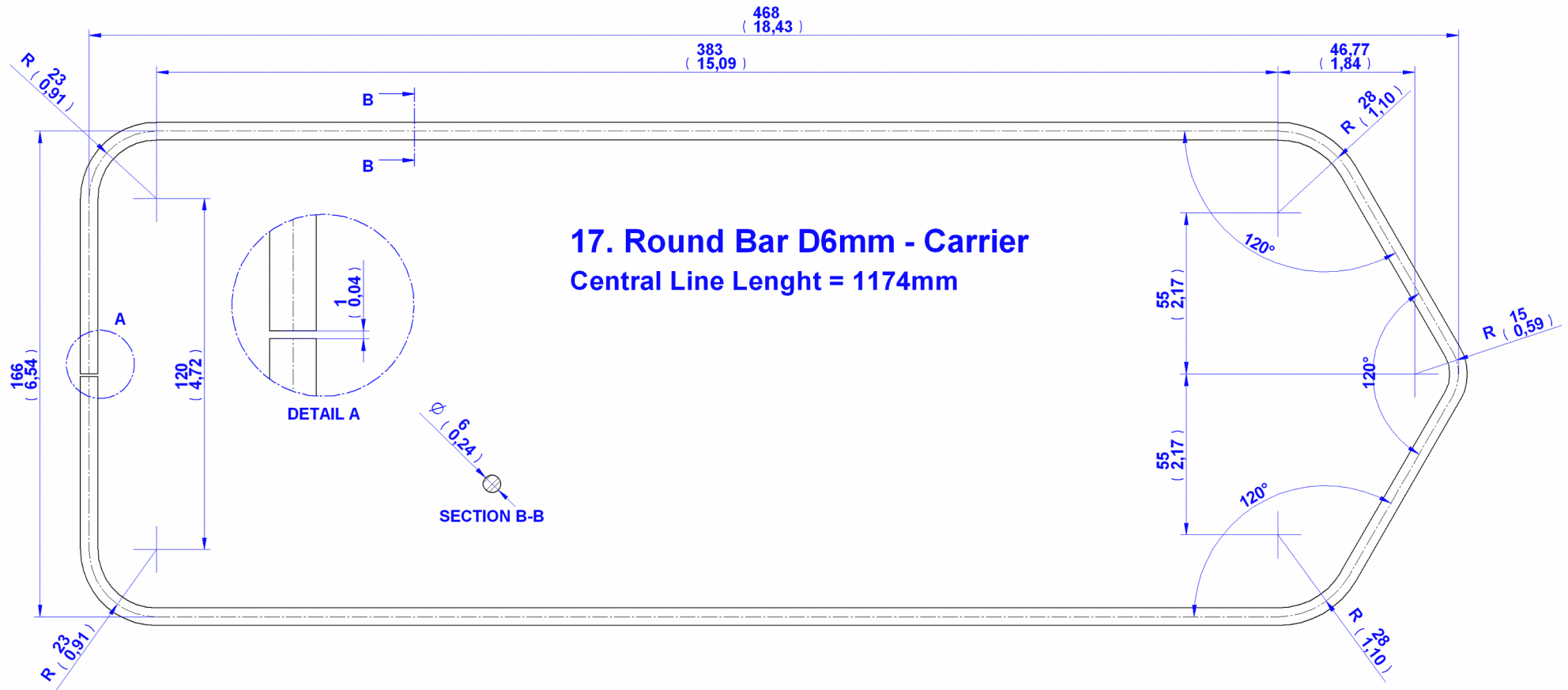
14. Round Bar D4mm - Basket 2
Central Line Length = 363,5 mm

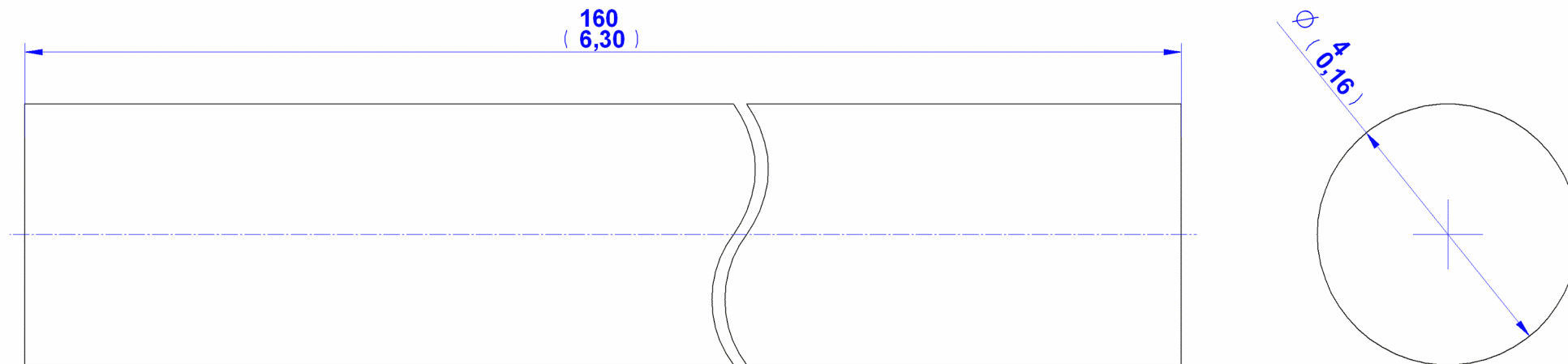


15. Round Bar D4mm - Basket 3
Central Line Length = 231,5mm

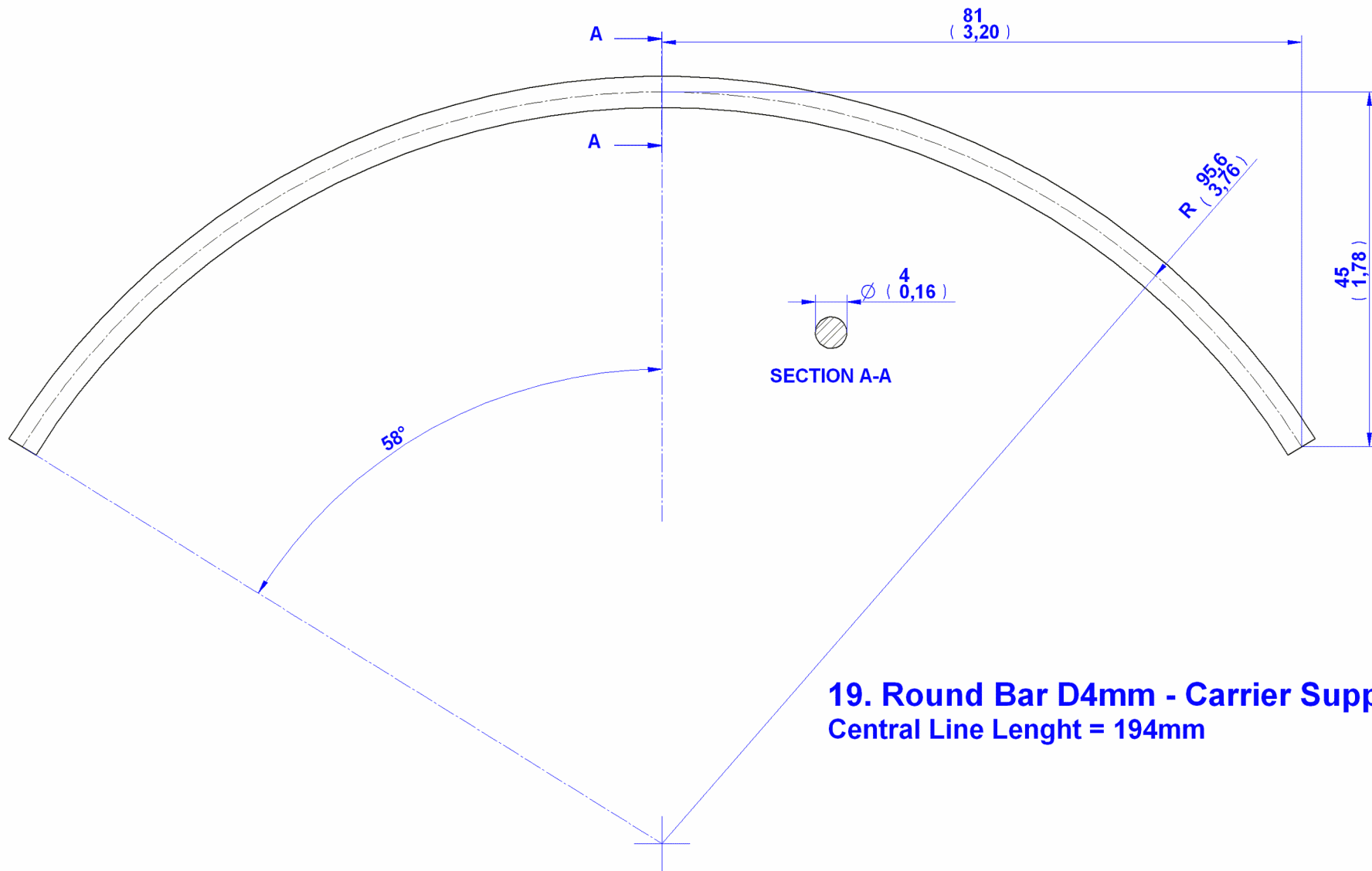


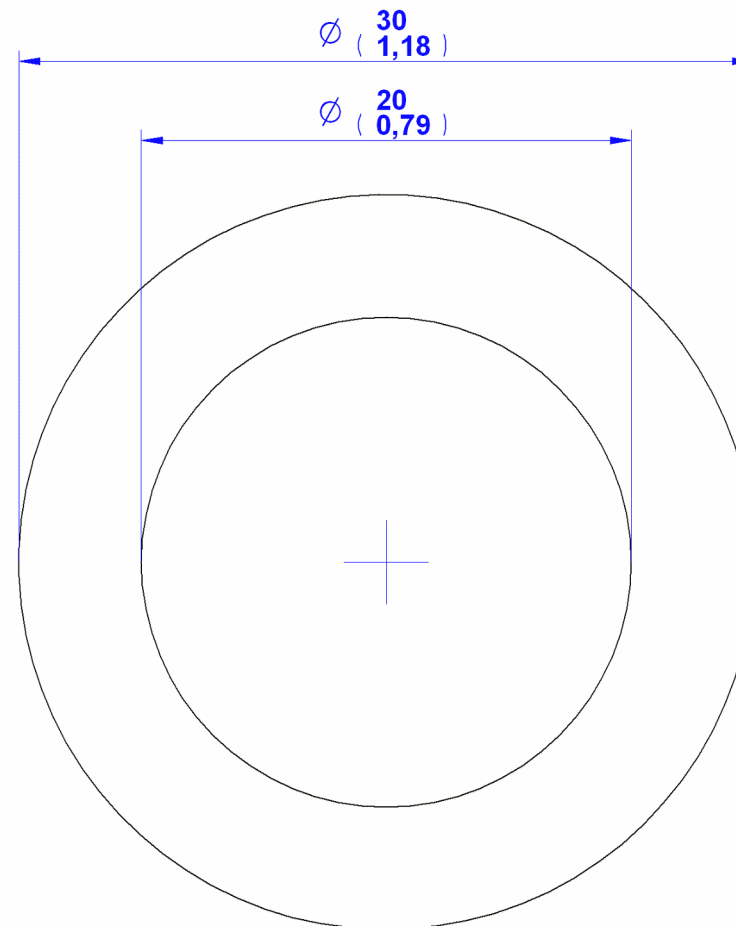
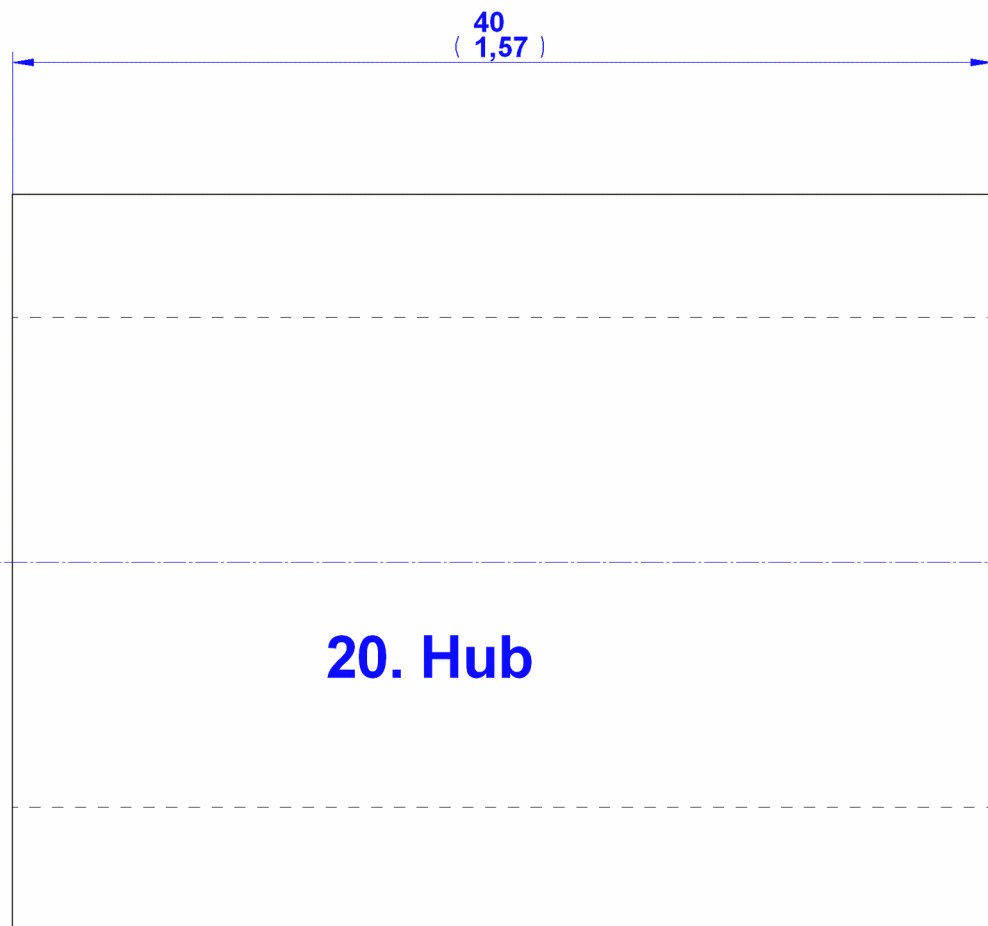
16. Round Bar D4mm - Basket 4
Central line Length = 793mm

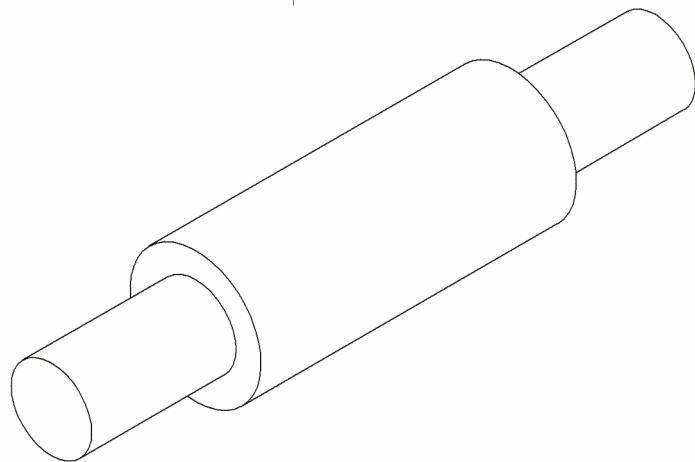
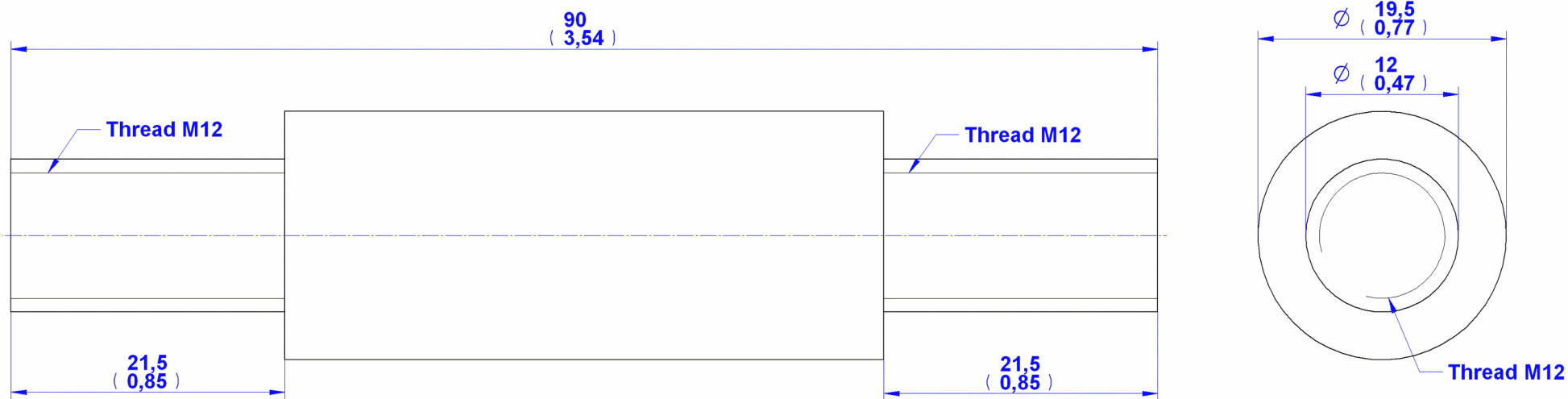




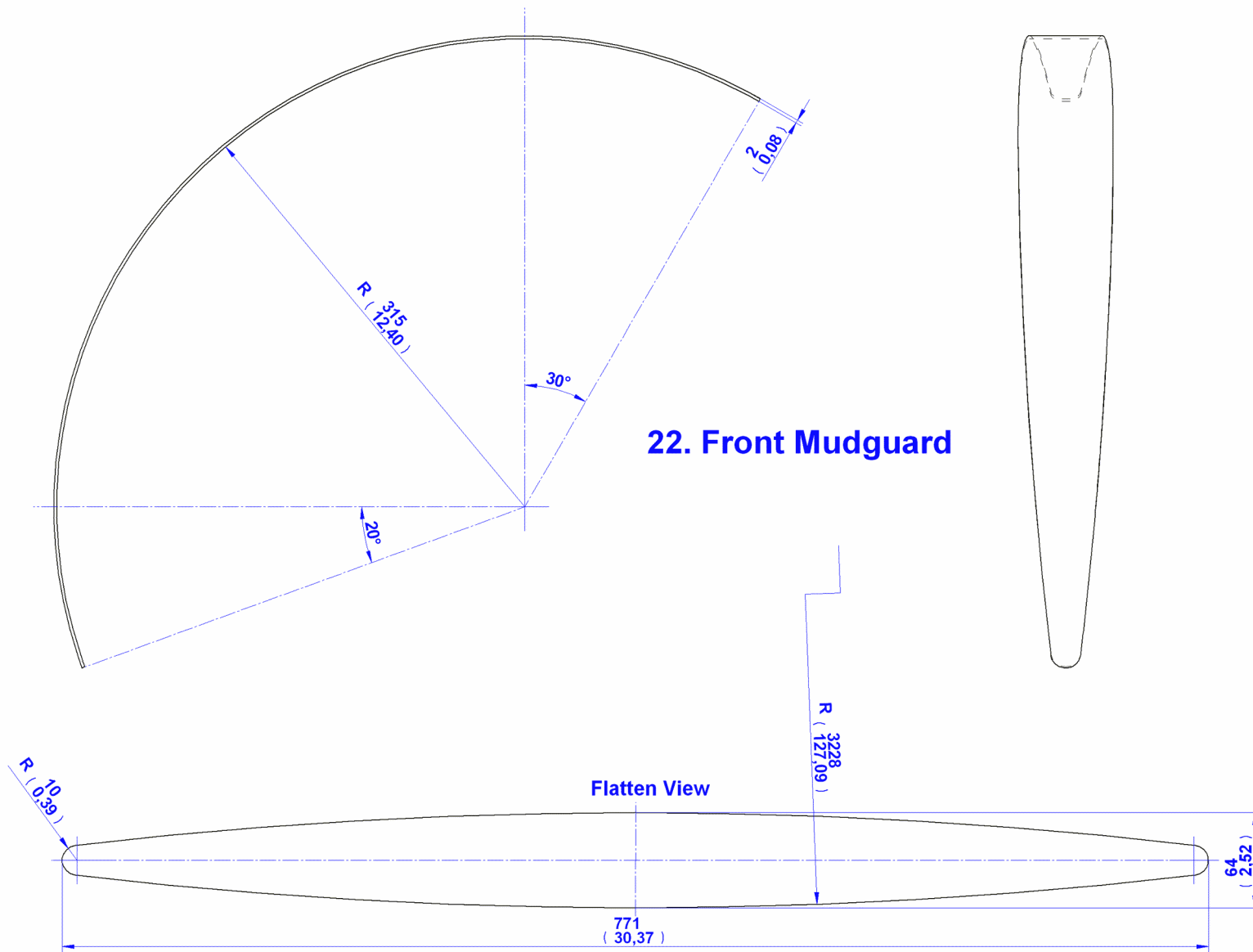
18. Round Bar D4mm - Carrier Slat

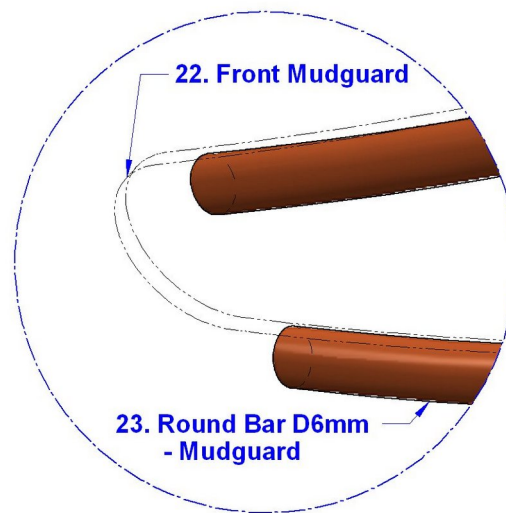
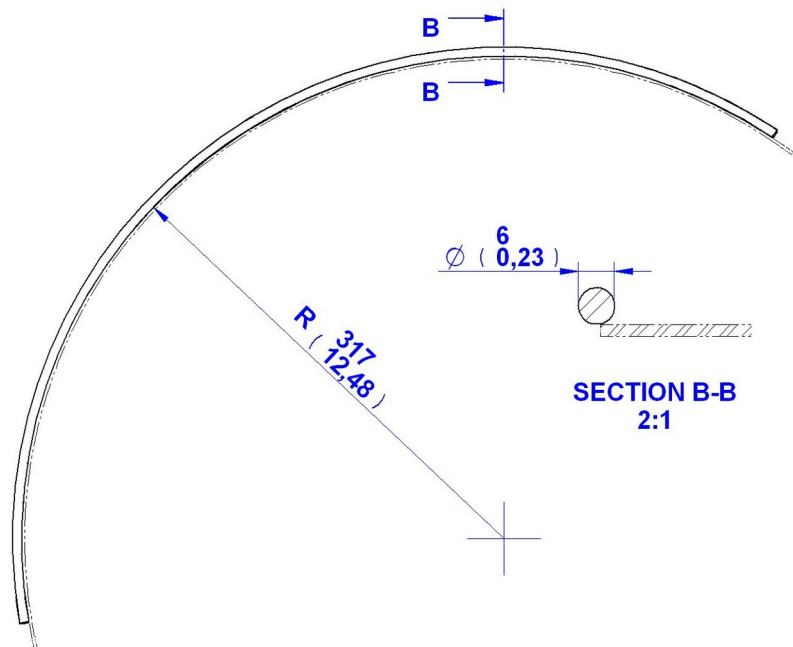




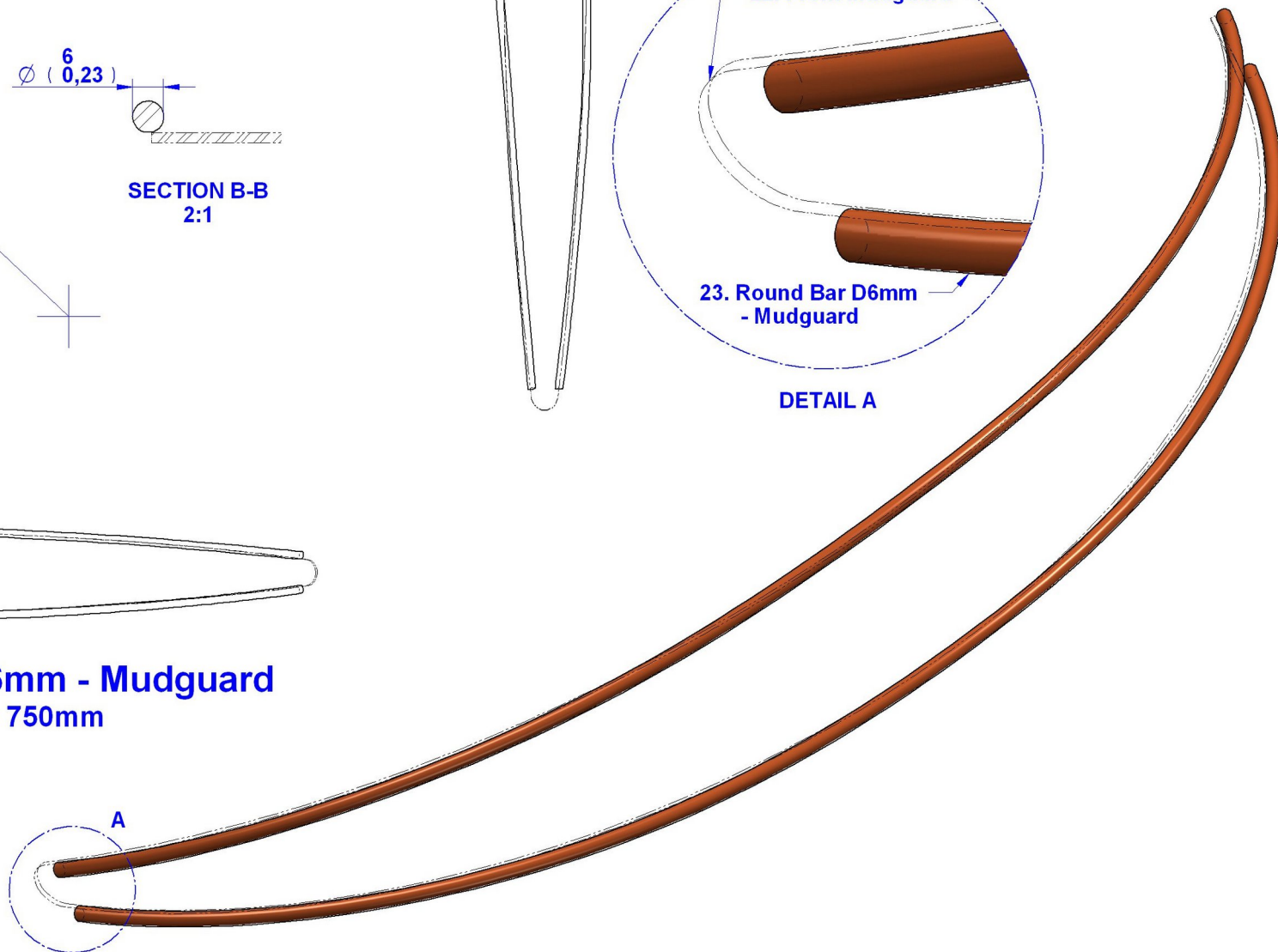


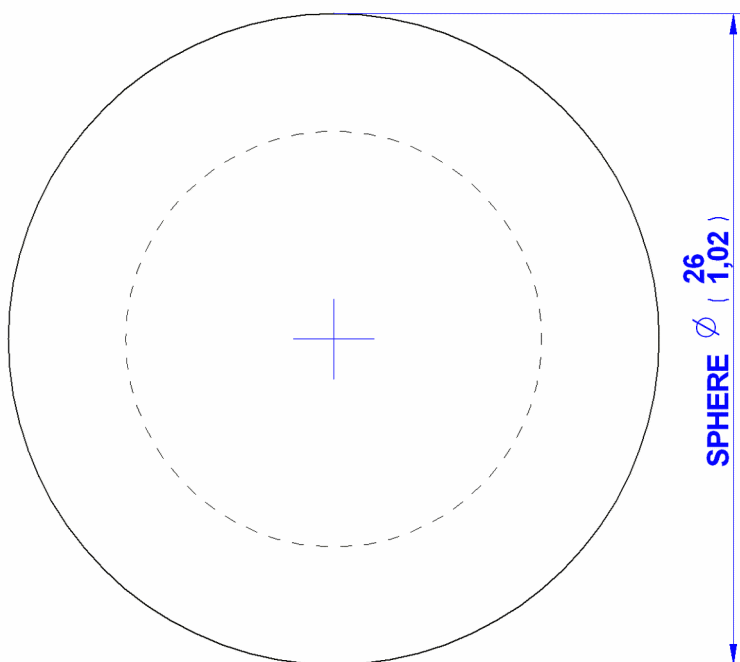
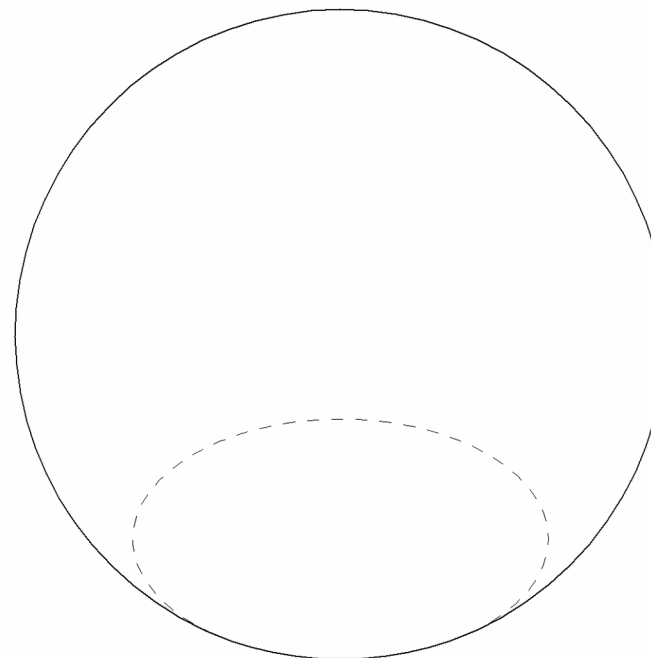
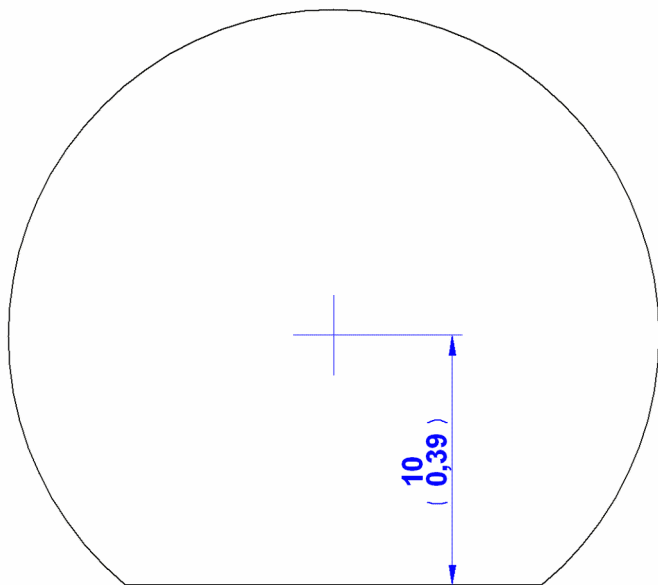
21. Axle



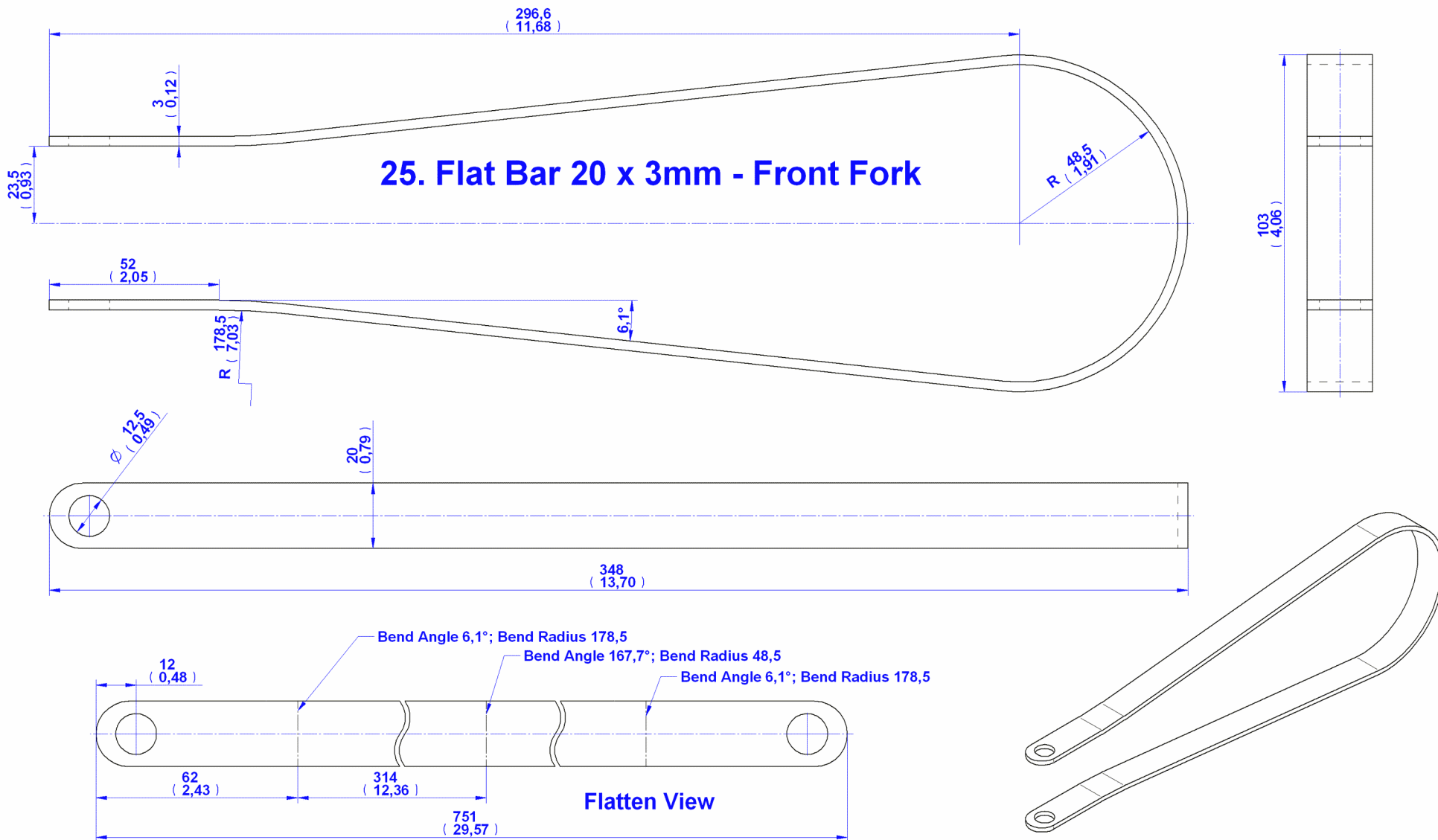


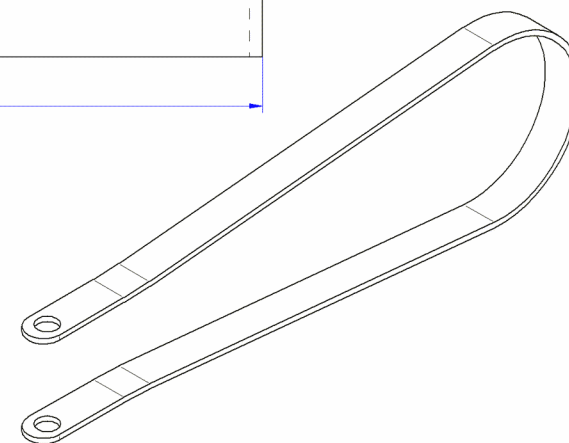
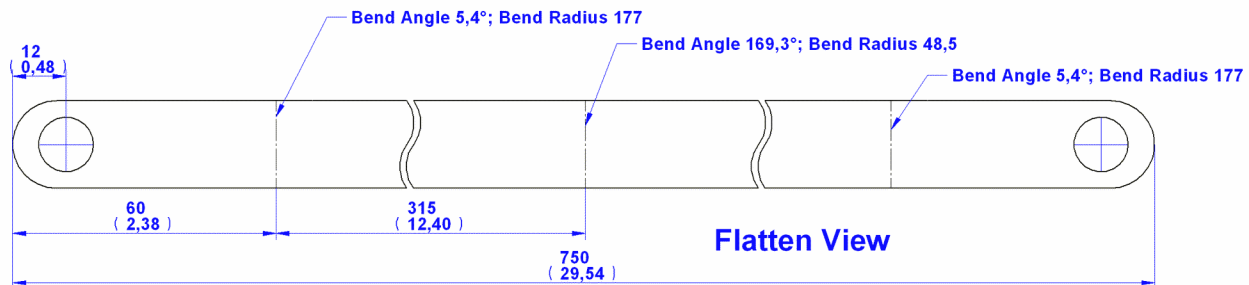
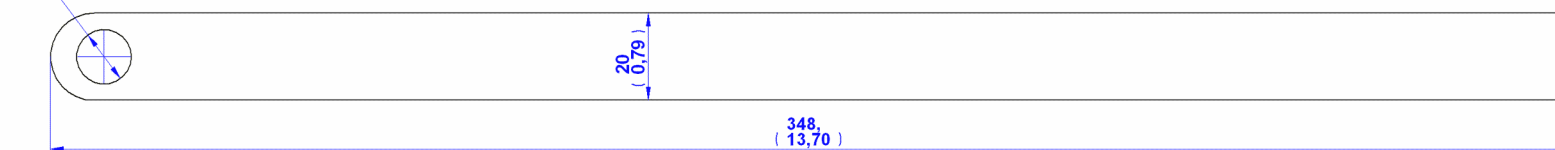
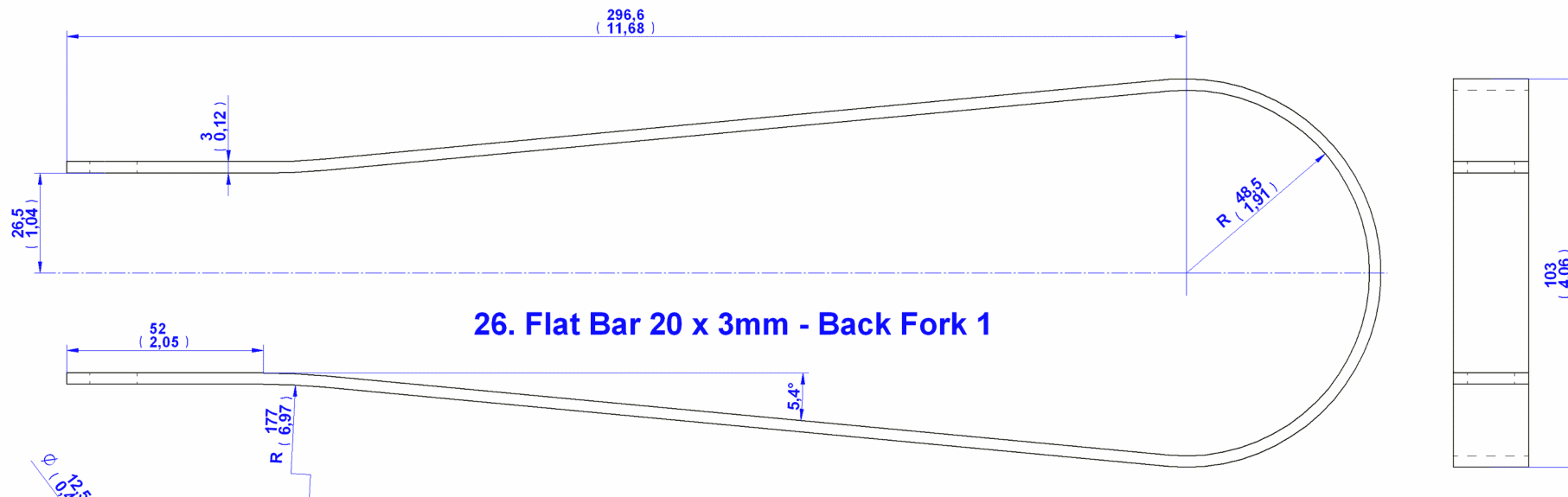
23. Round Bar D6mm - Mudguard
Central Line Length = 750mm

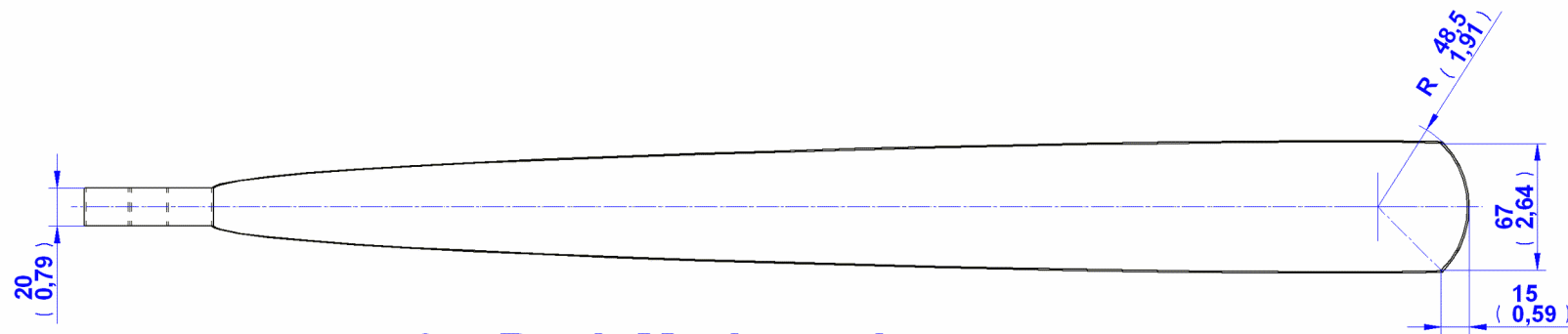




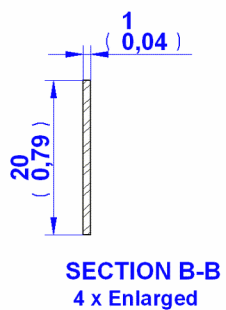
24. Mudguard Ball



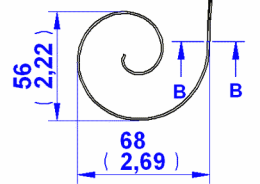
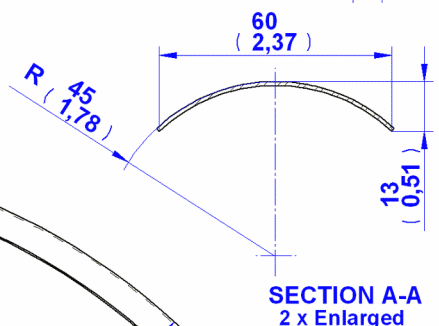




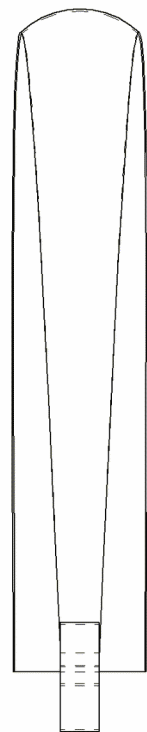
27. Back Mudguard



A →
A →



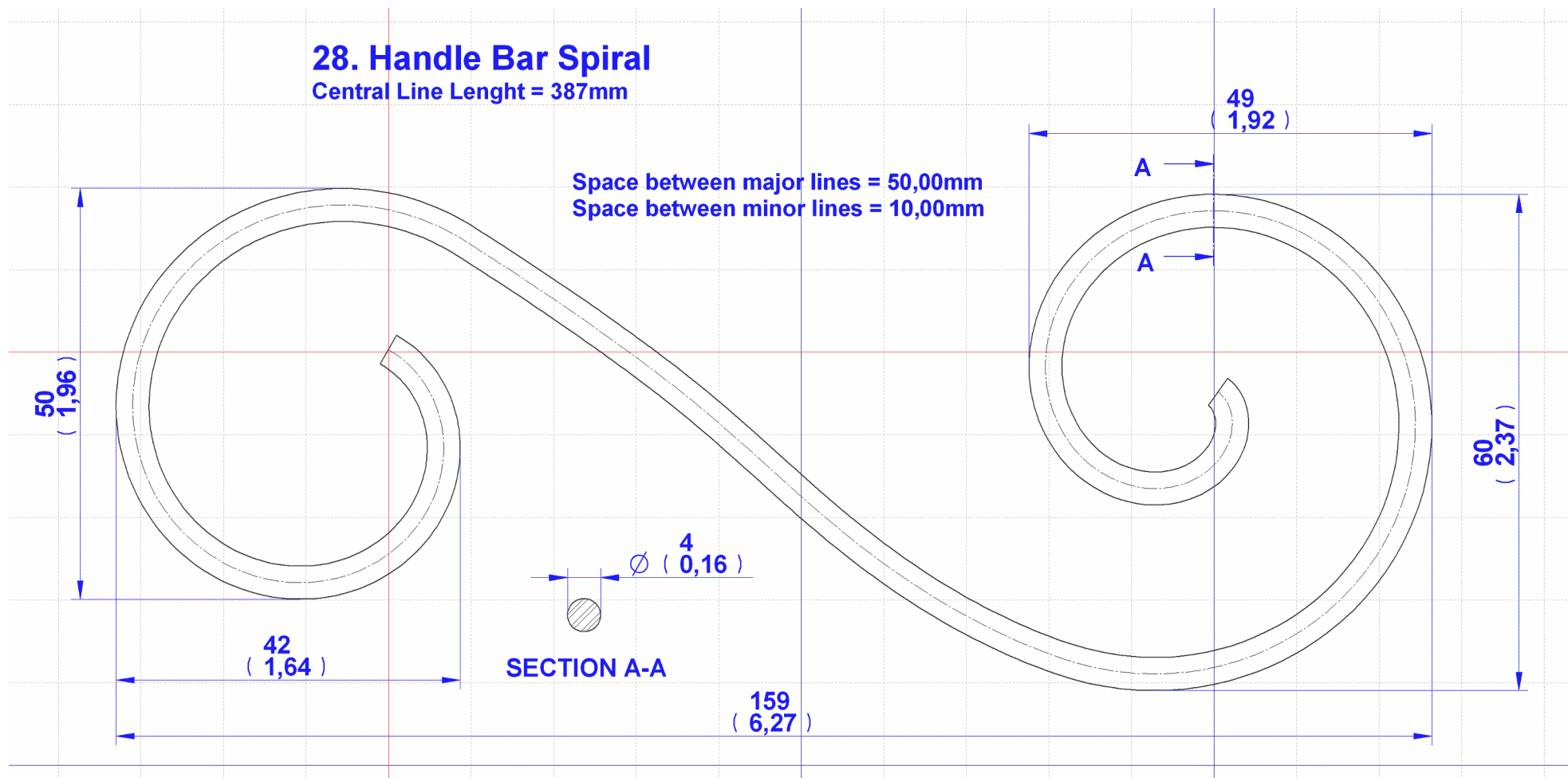
R 338 (13,31)

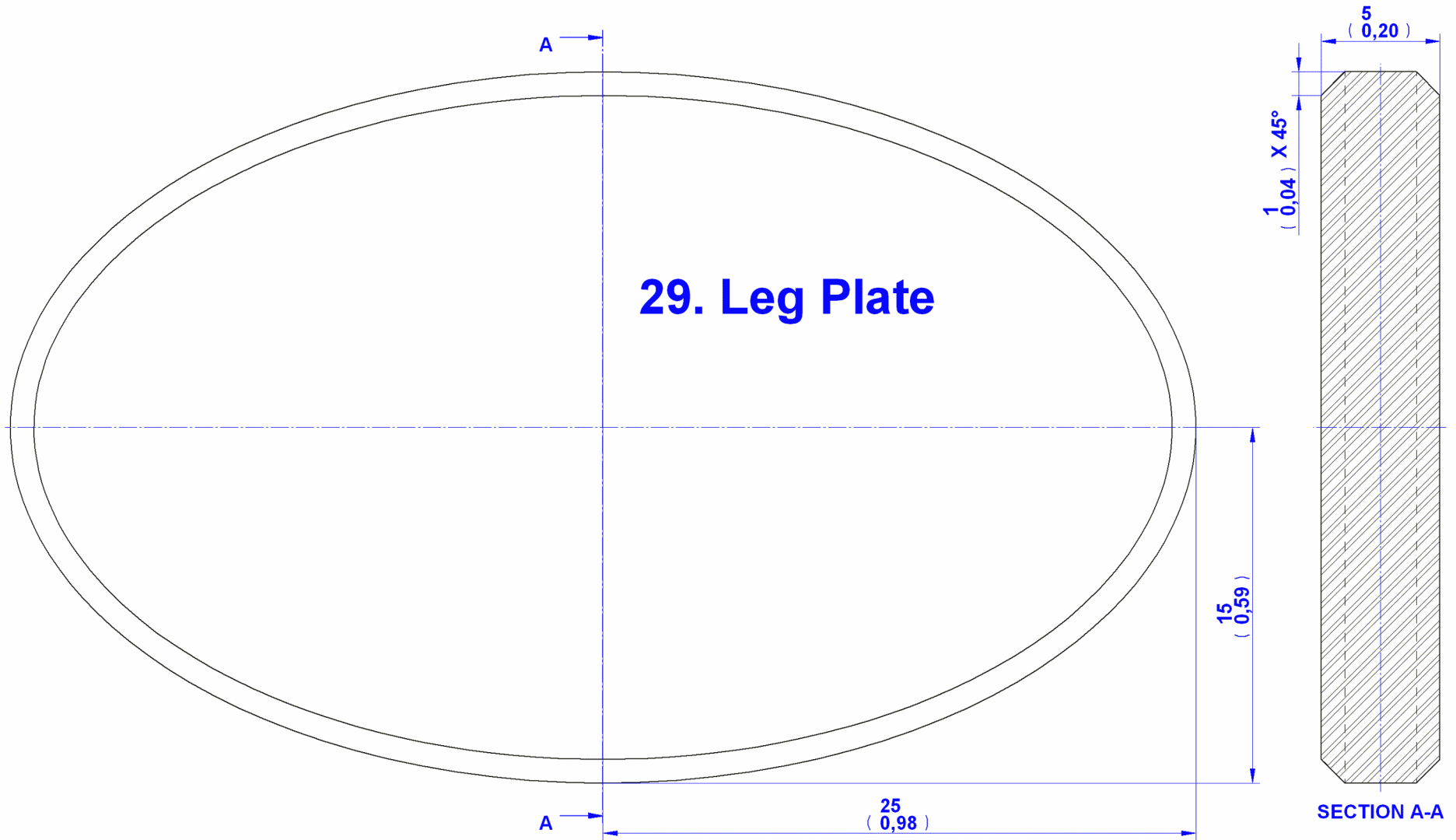


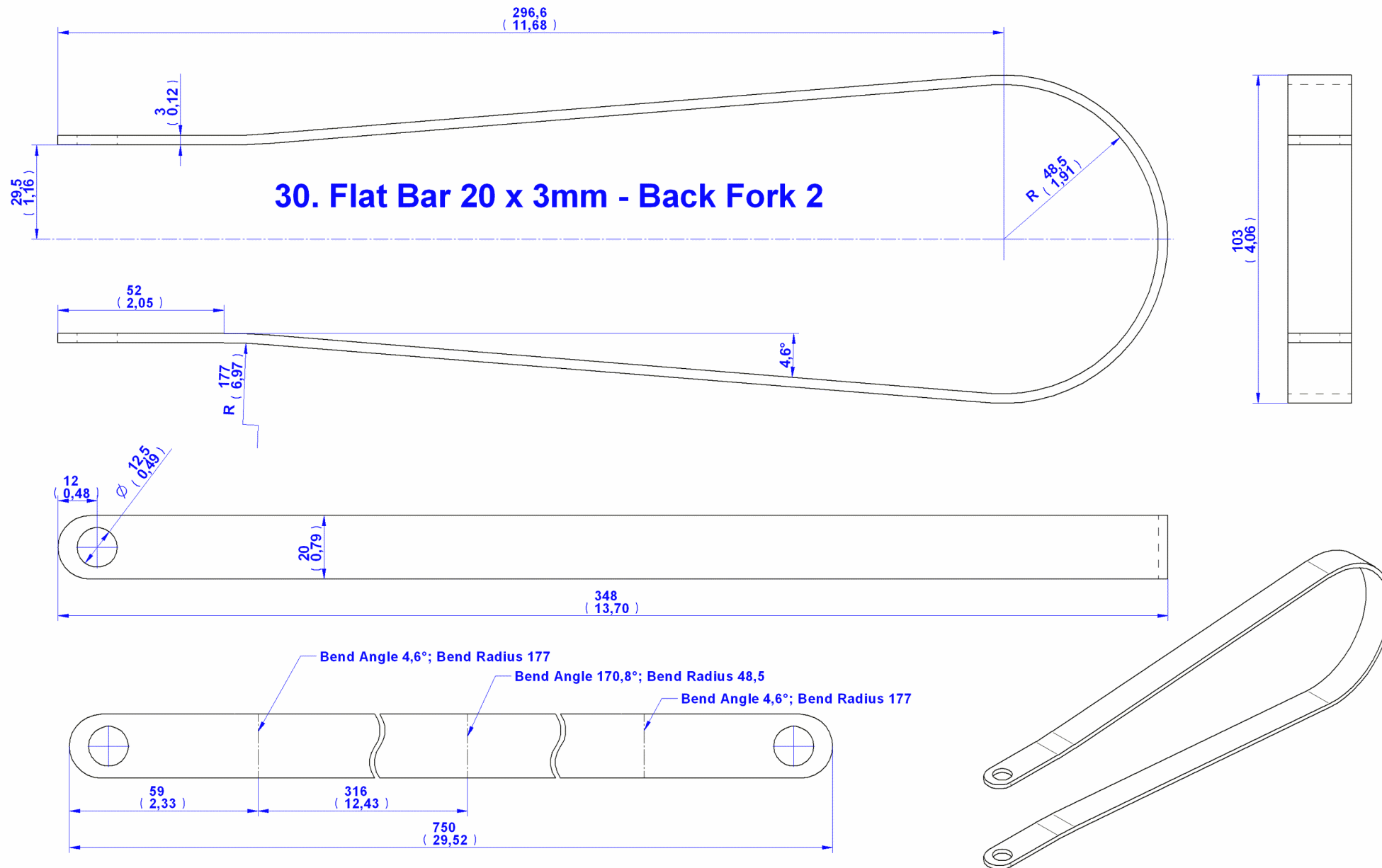
28. Handle Bar Spiral

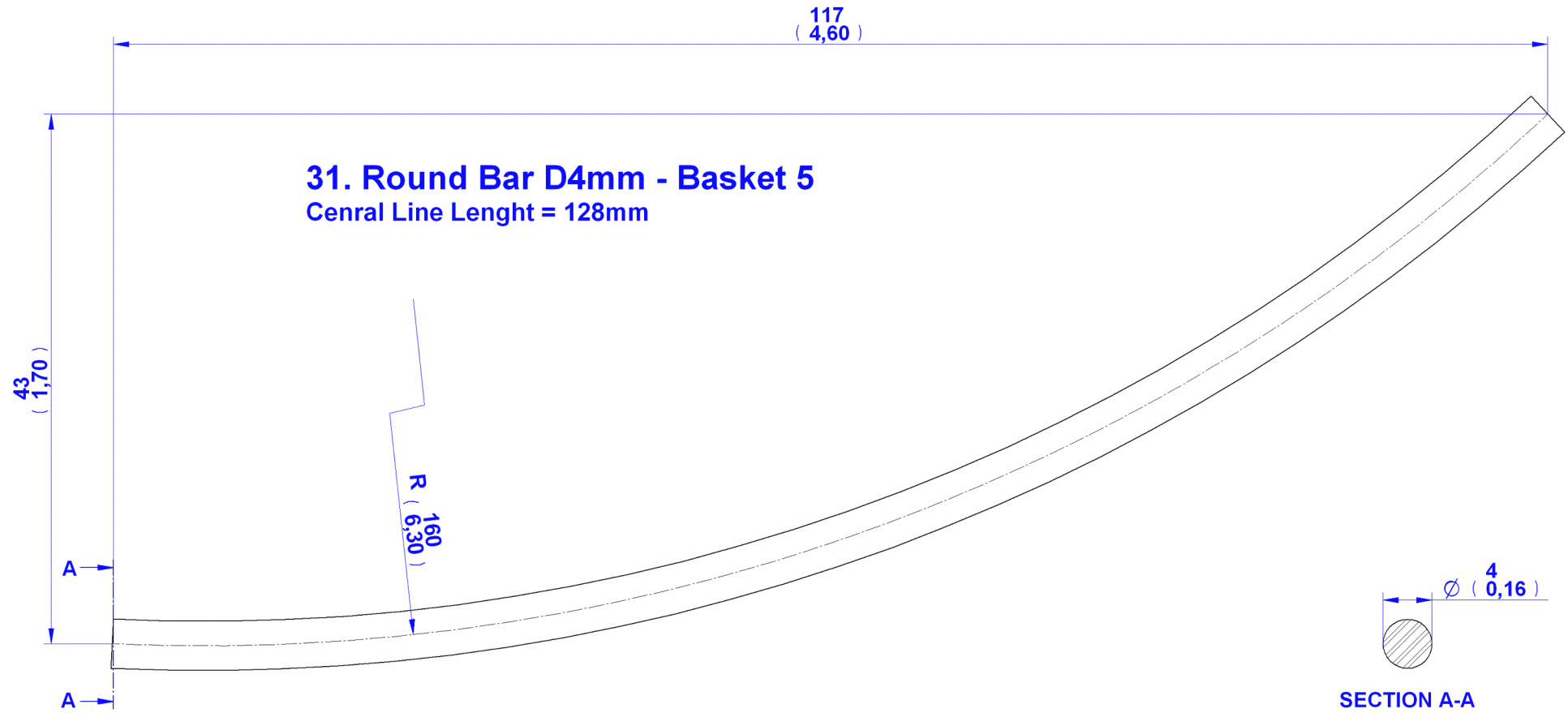
Central Line Length = 387mm

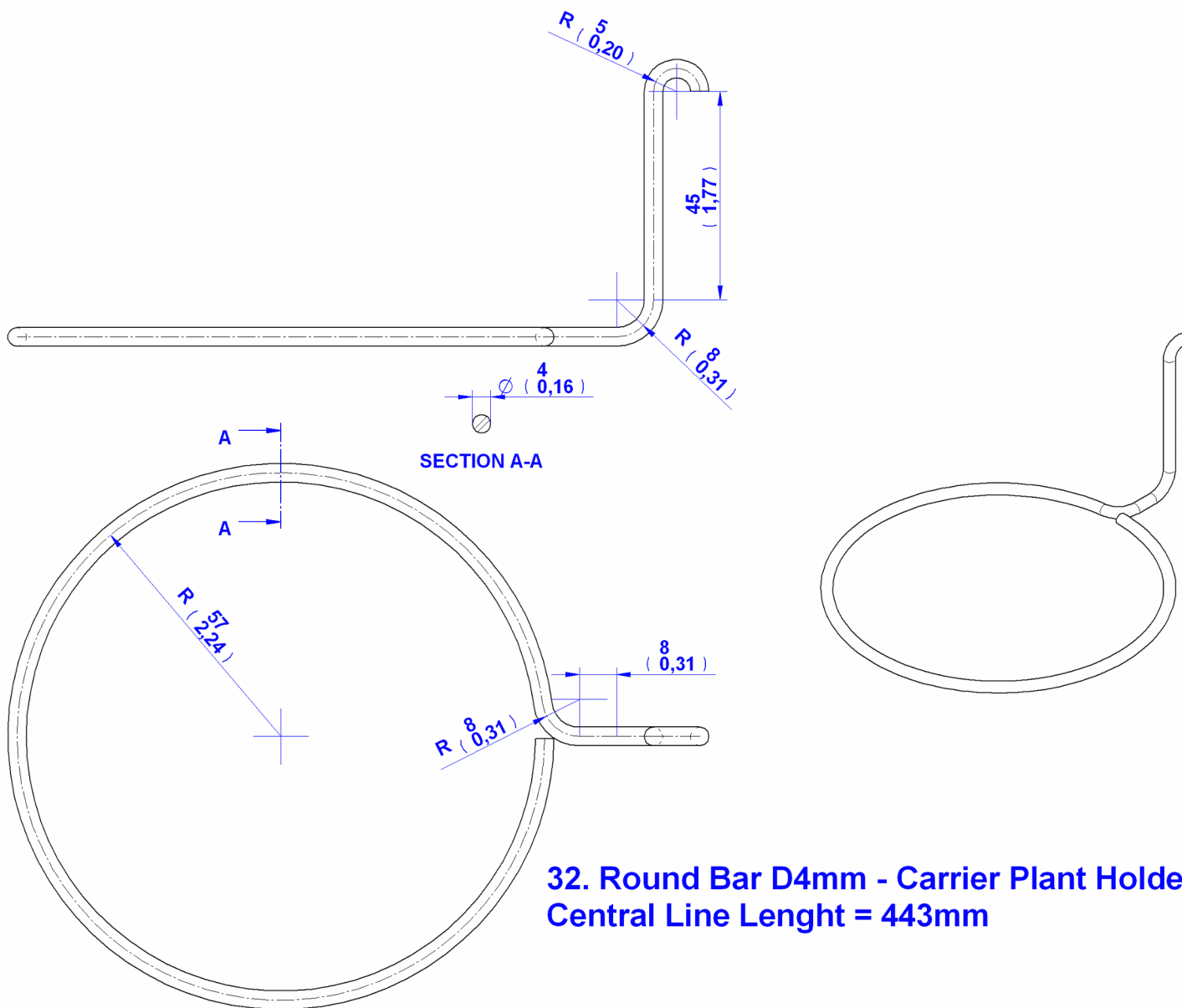
Space between major lines = 50,00mm
Space between minor lines = 10,00mm



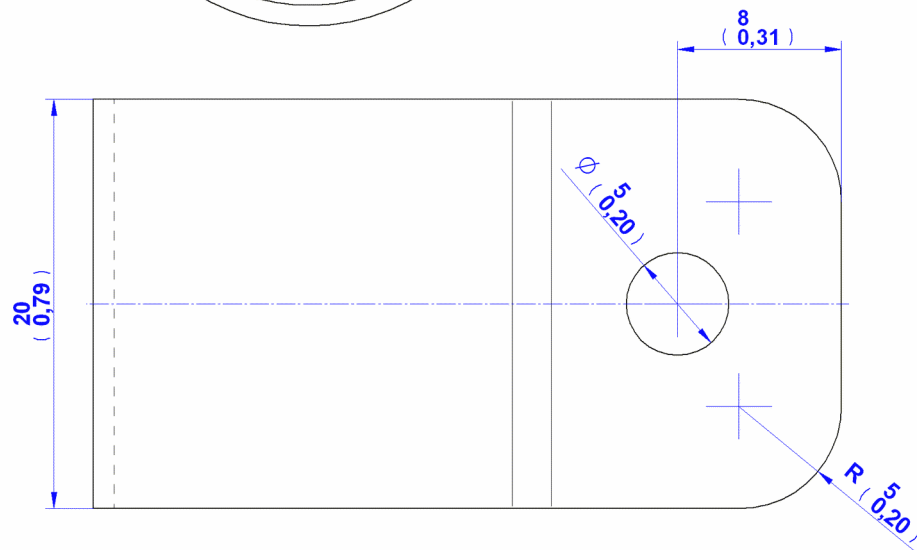
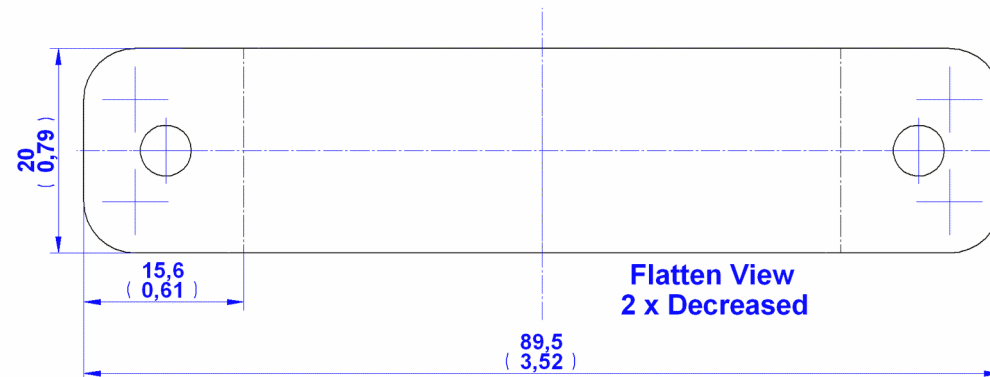
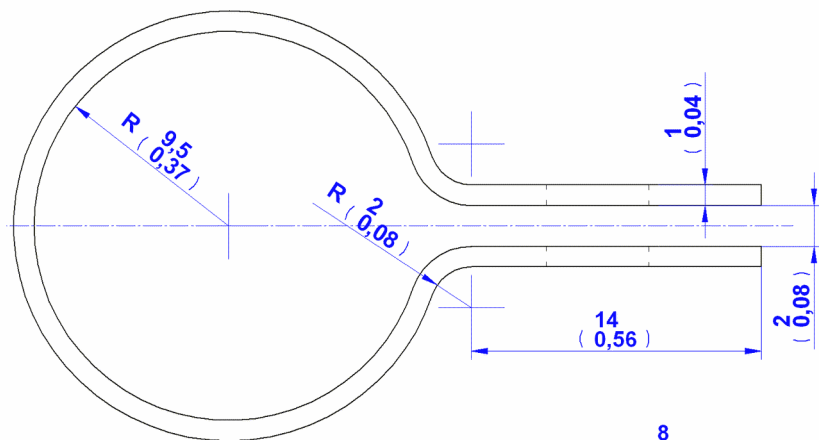




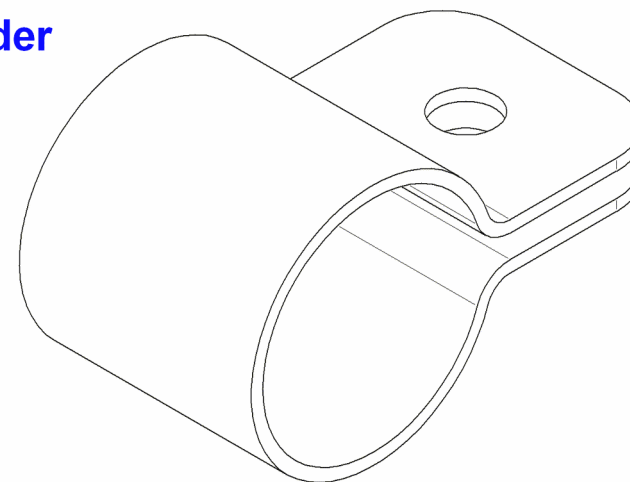


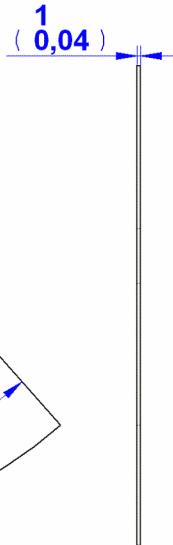
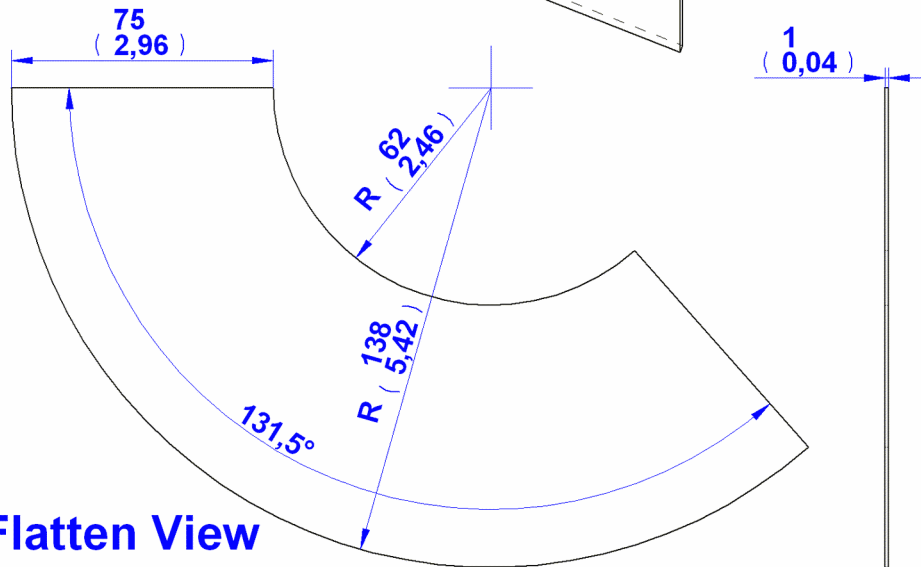
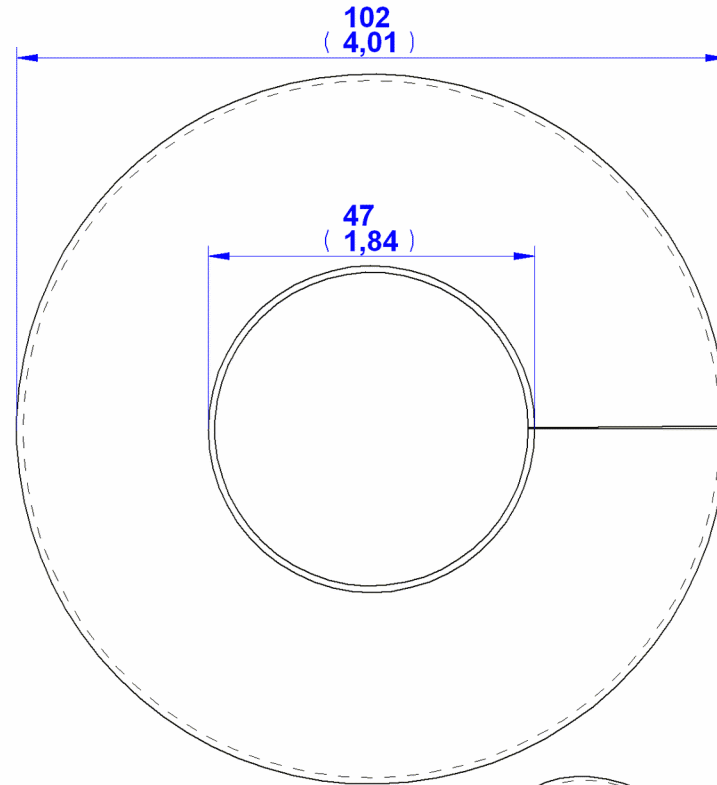
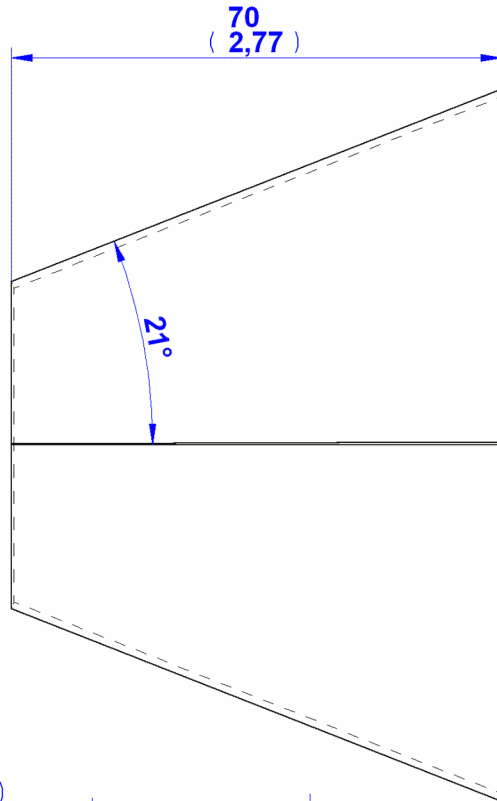


32. Round Bar D4mm - Carrier Plant Holder
Central Line Length = 443mm

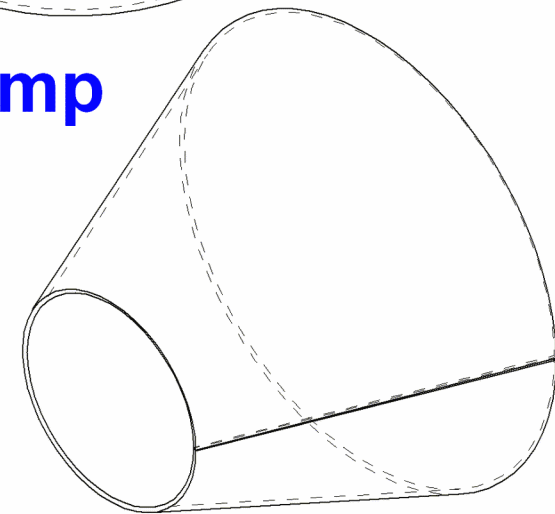


33. Lamp Holder

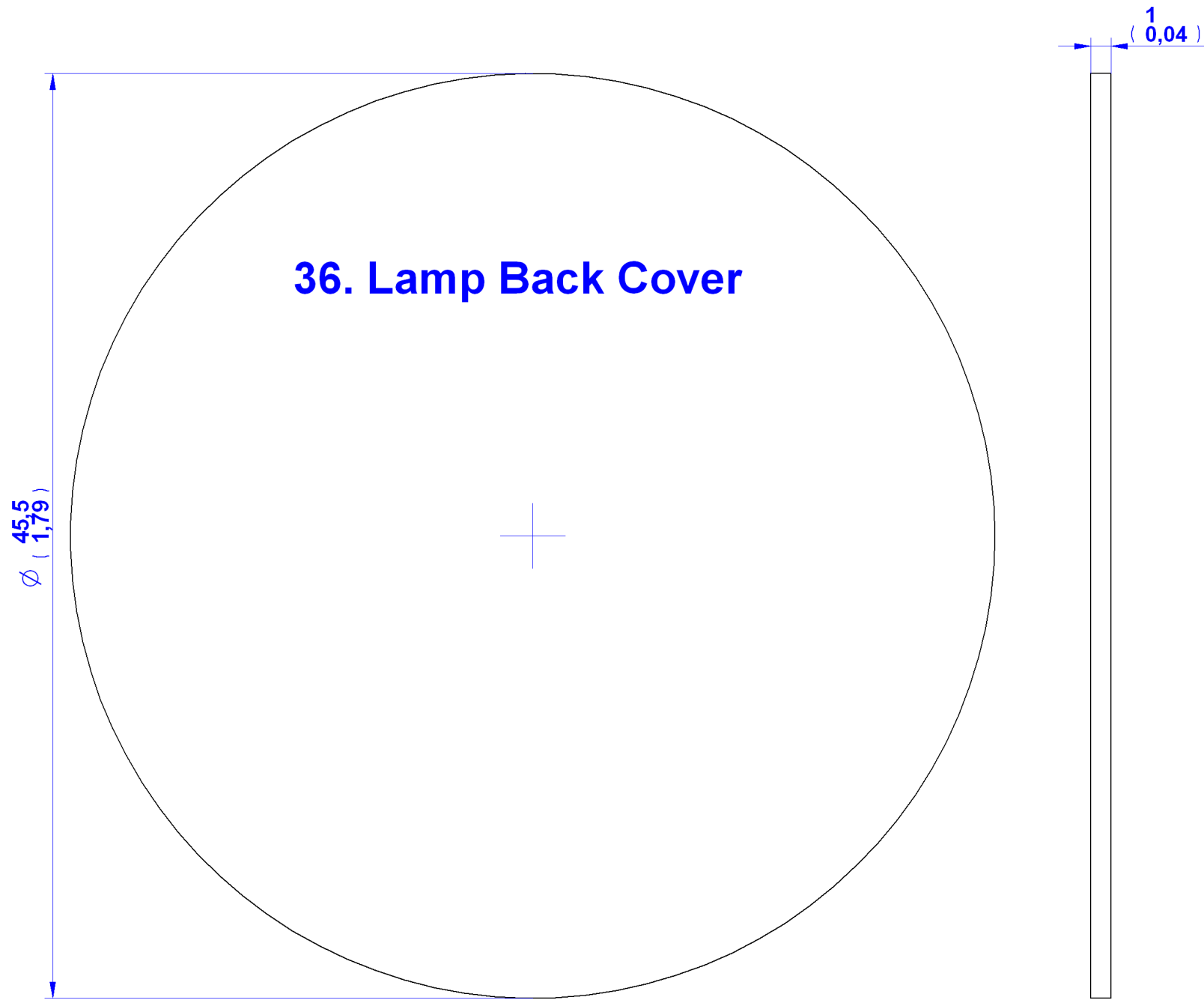




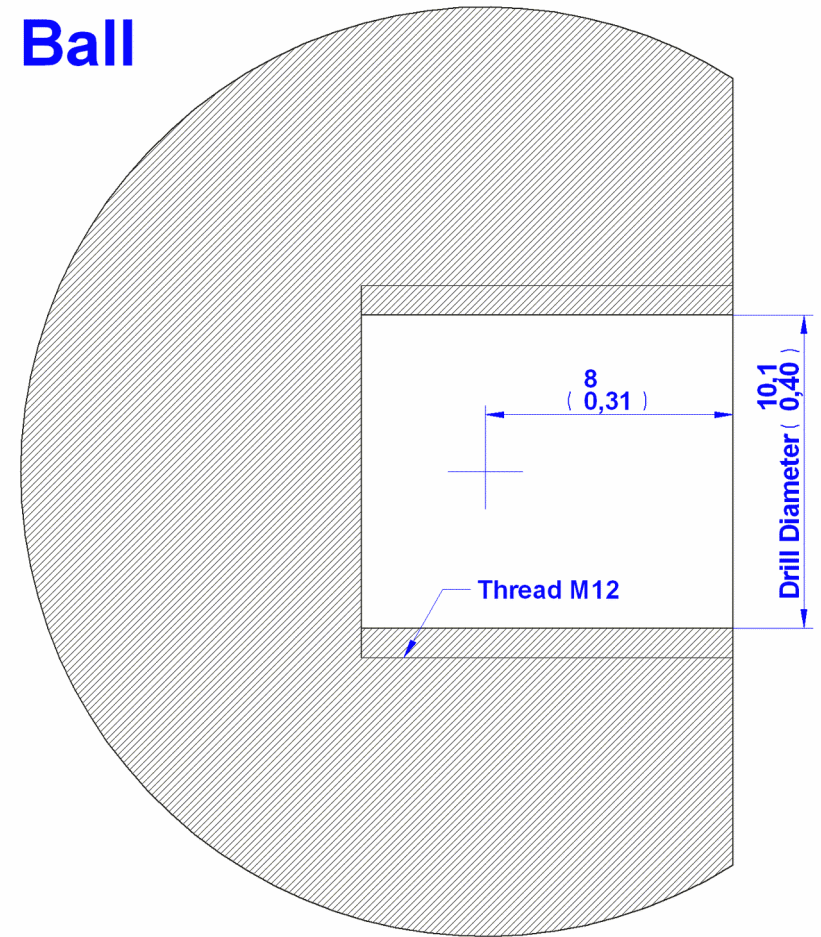
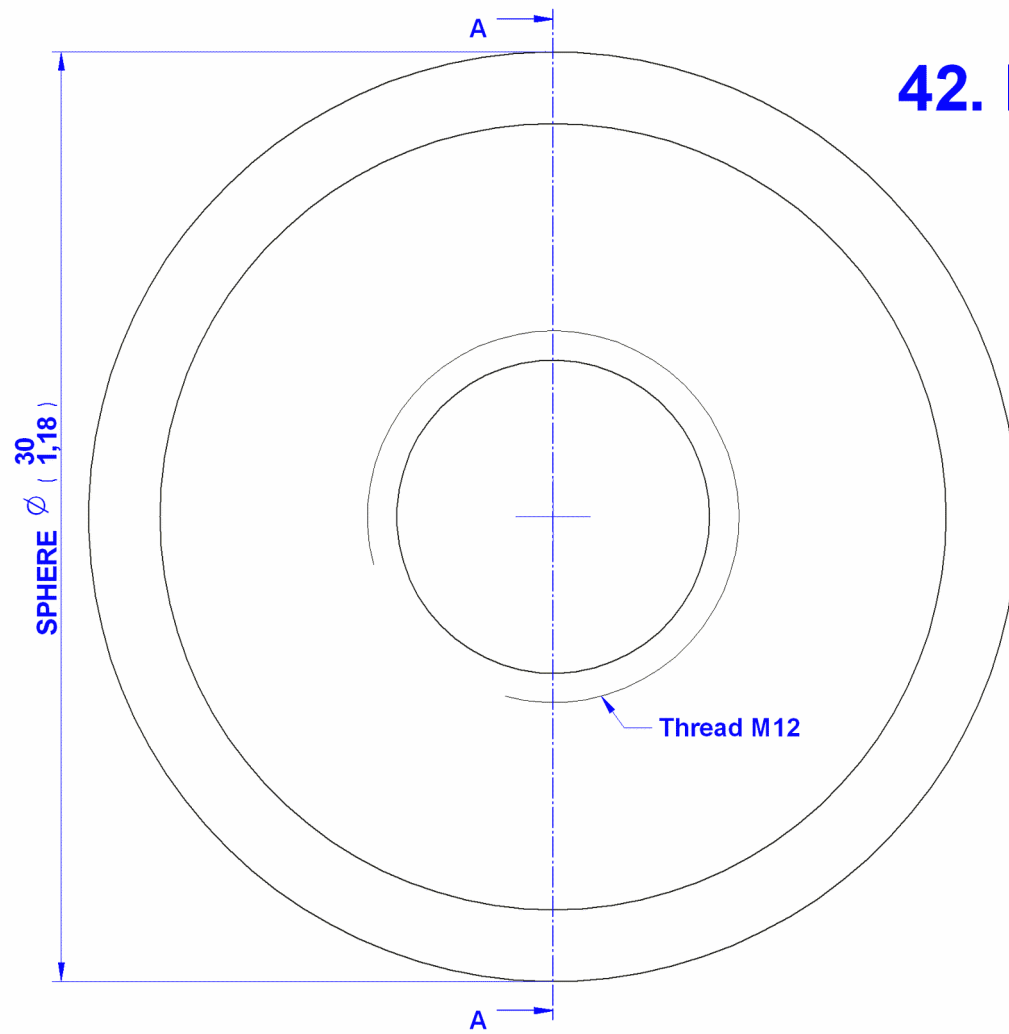
34. Lamp

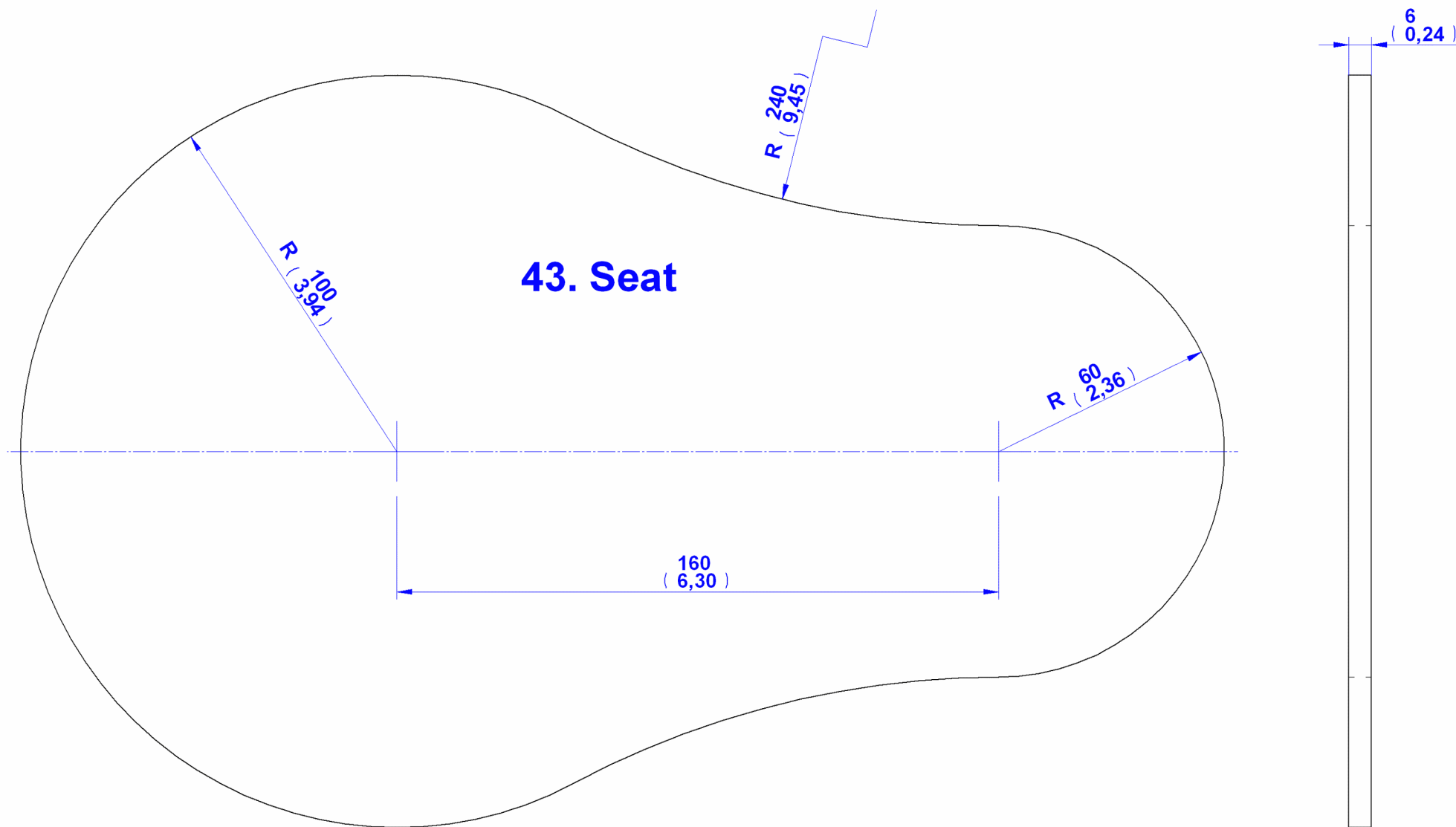


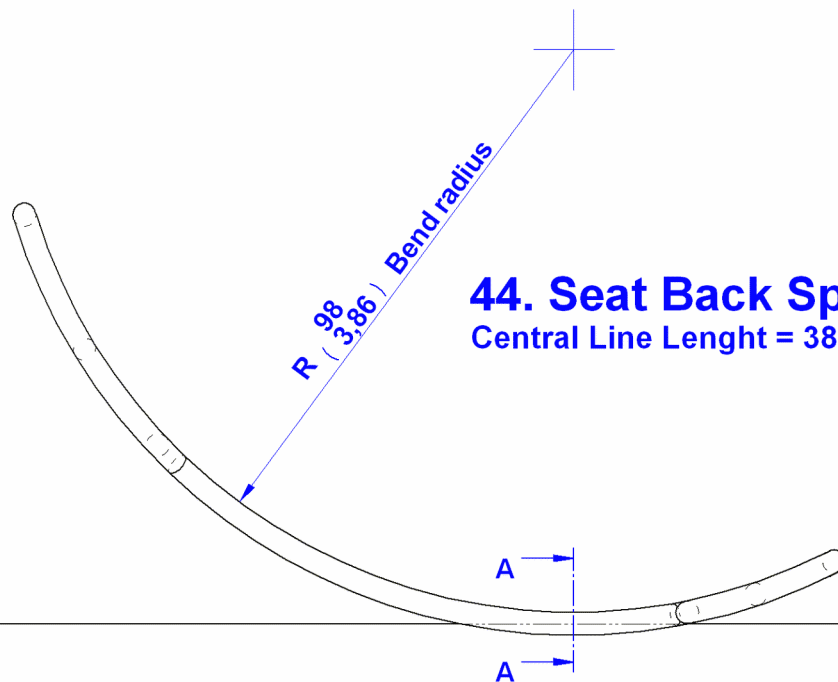
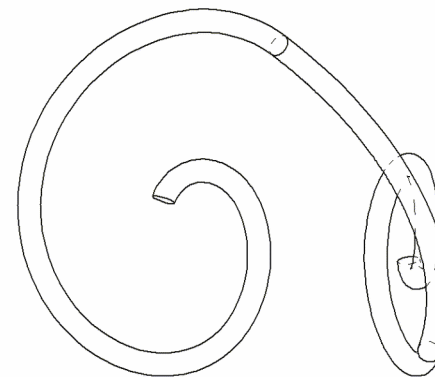
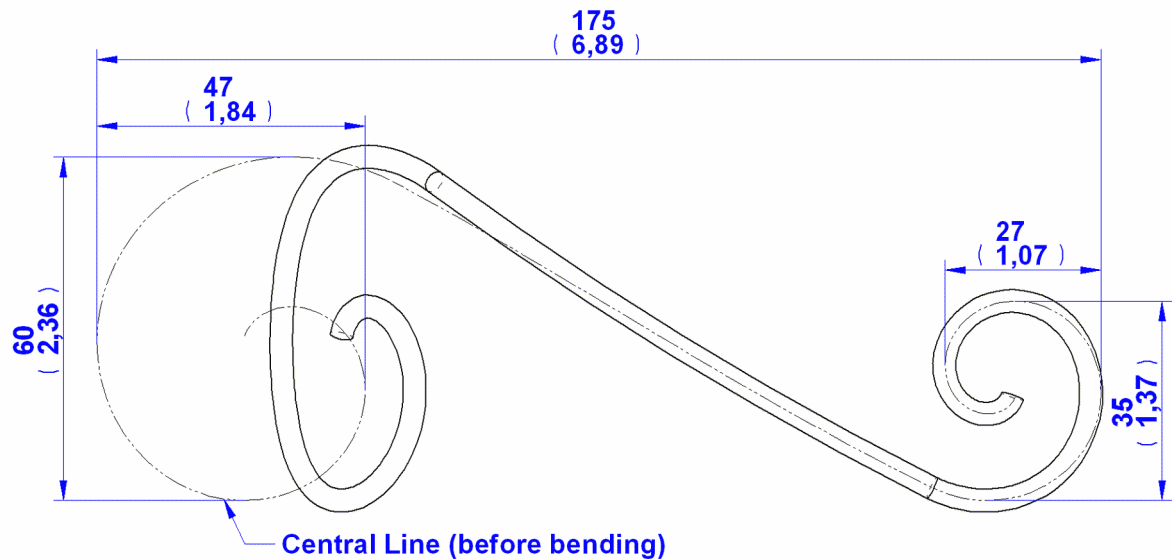
Flatten View
2 x Decreased



42. Hub Ball

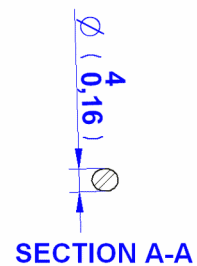
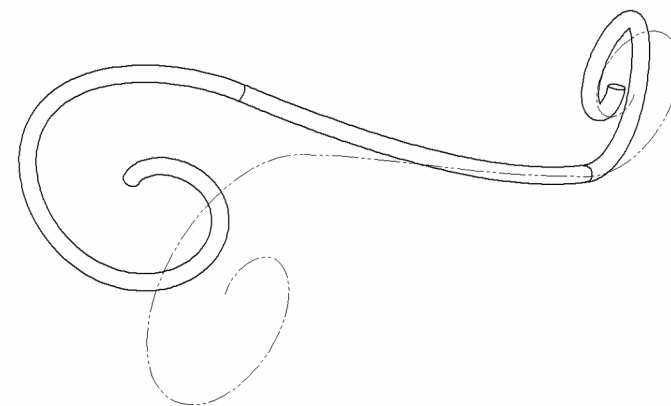


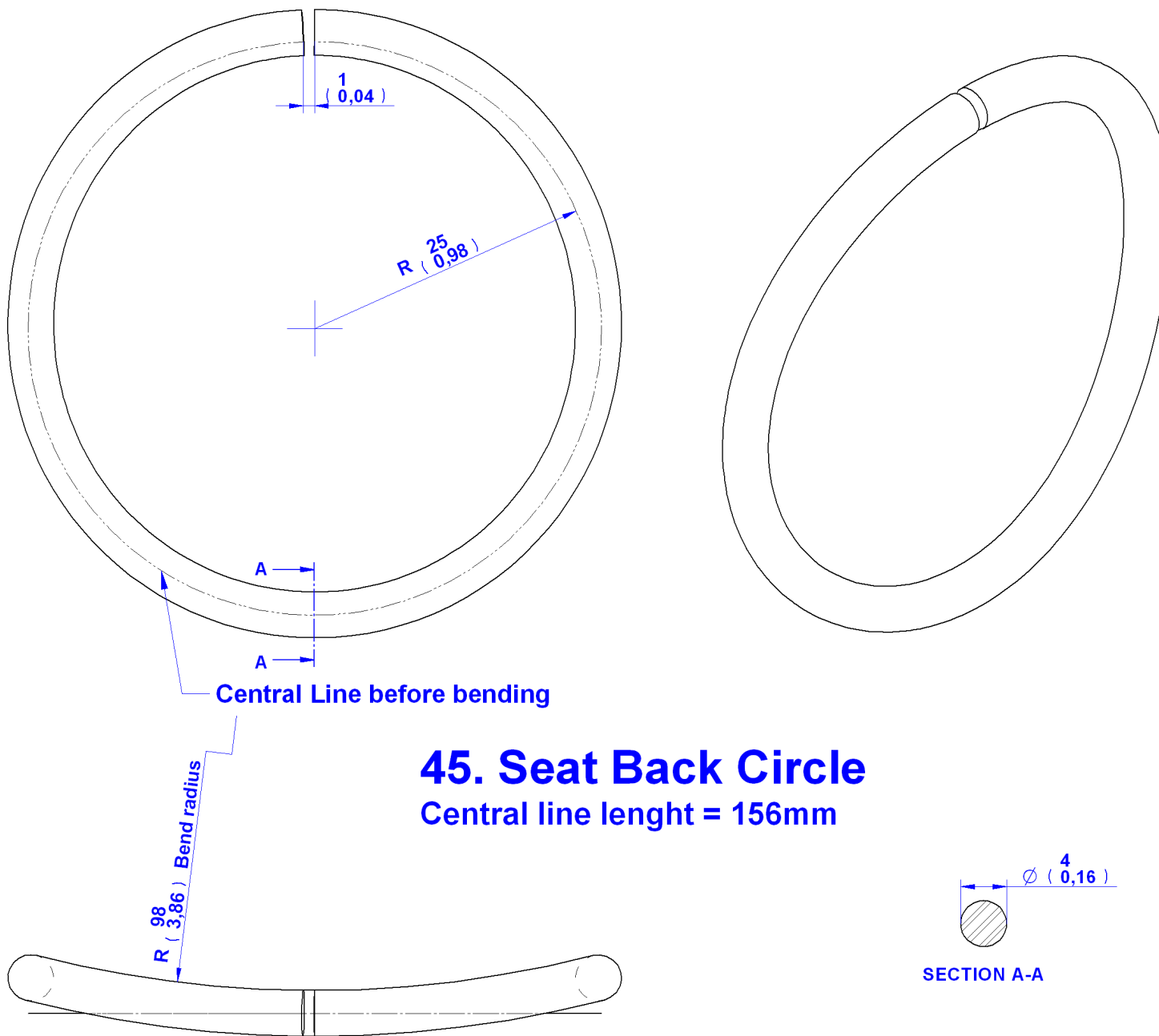


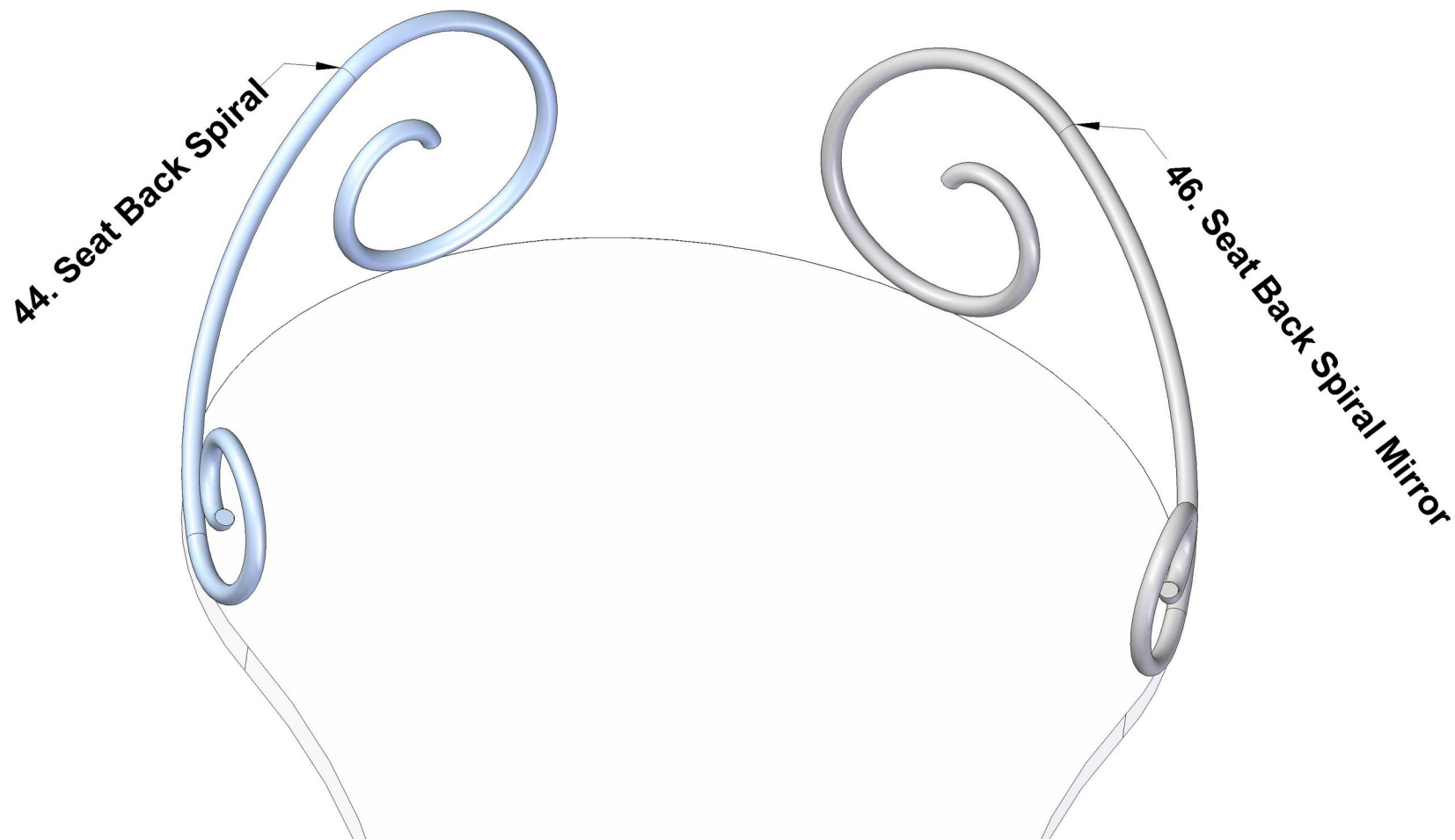


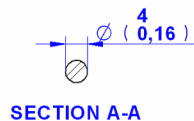
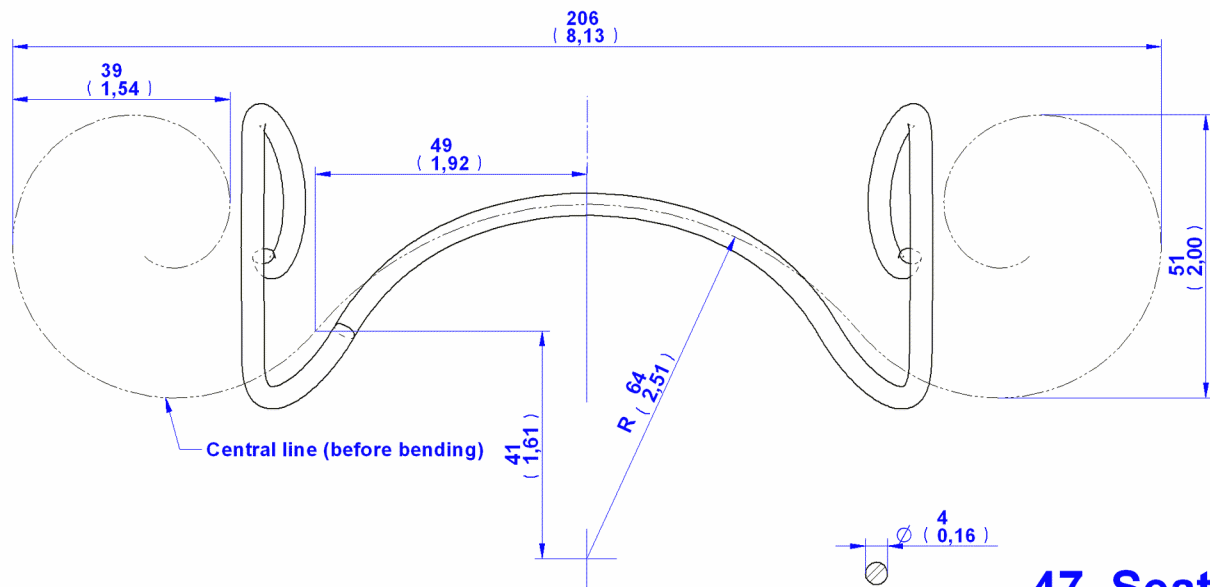
44. Seat Back Spiral

Central Line Length = 385mm



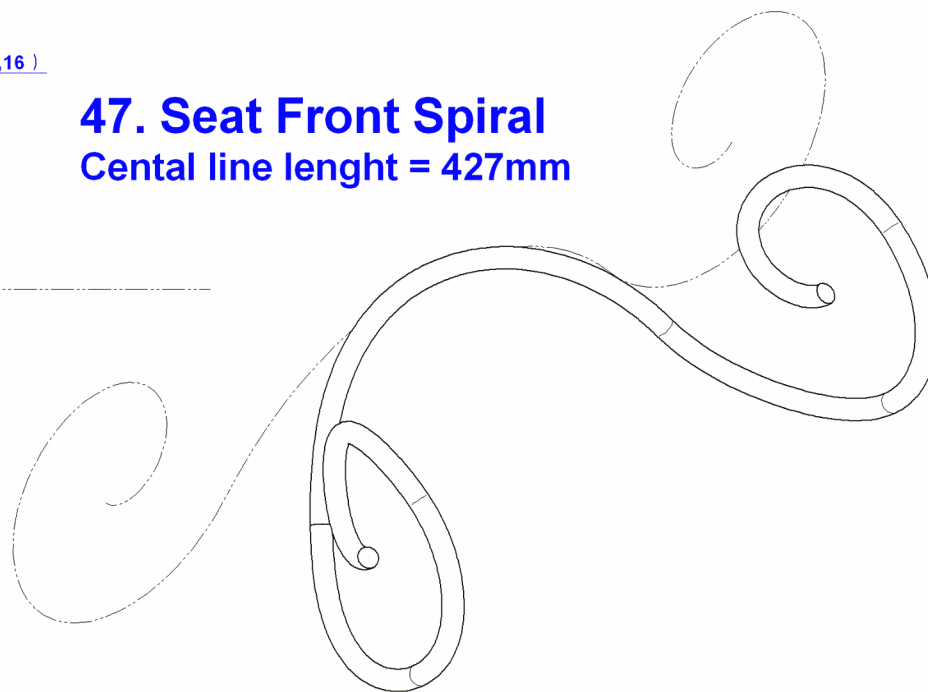
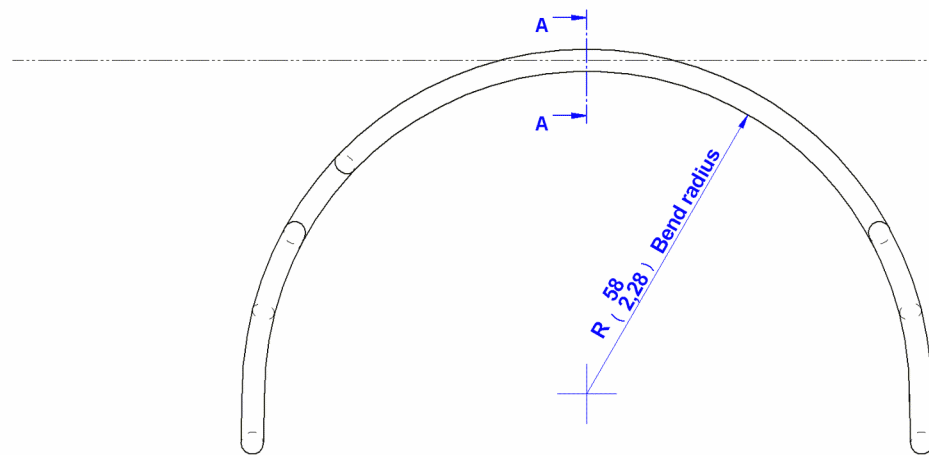


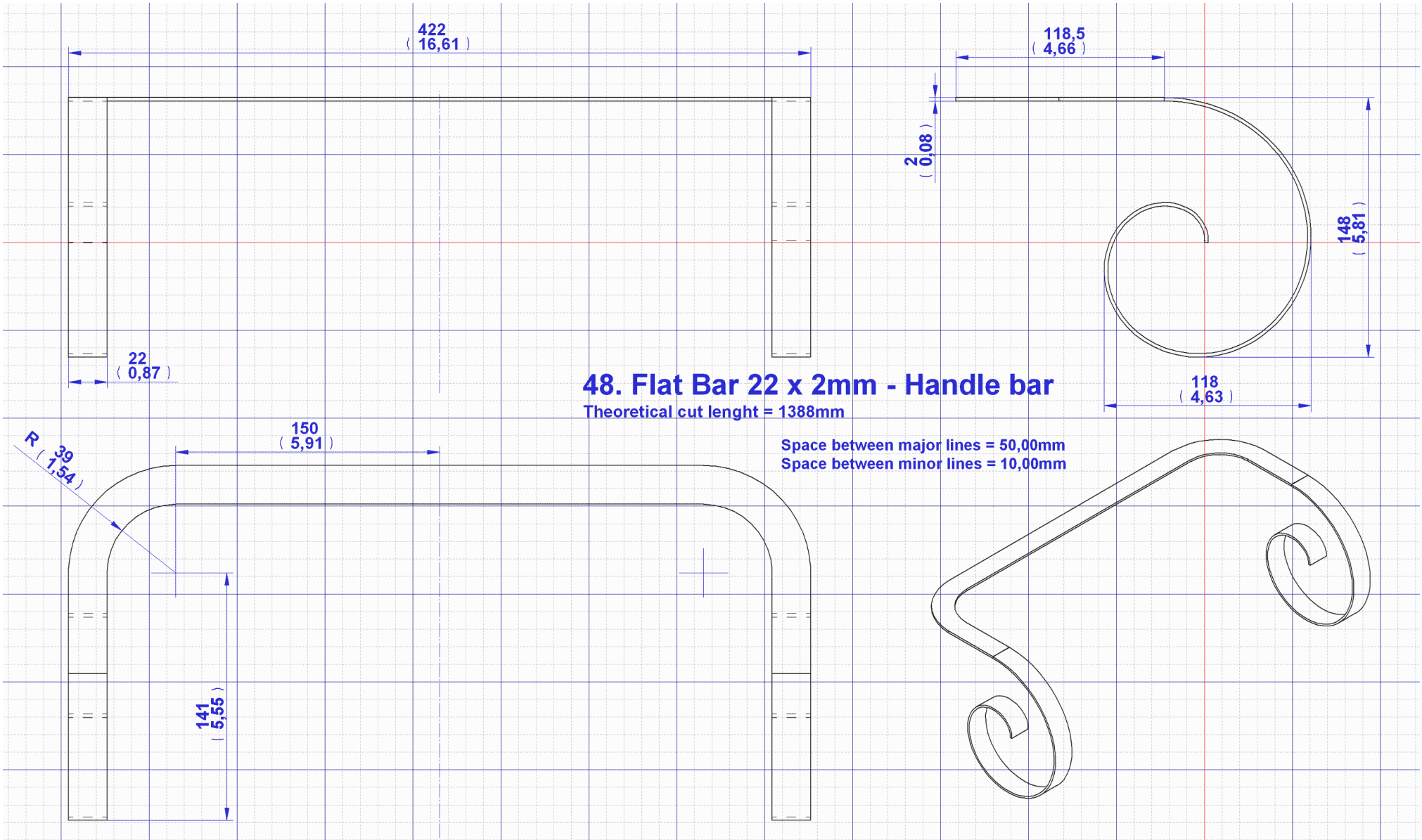




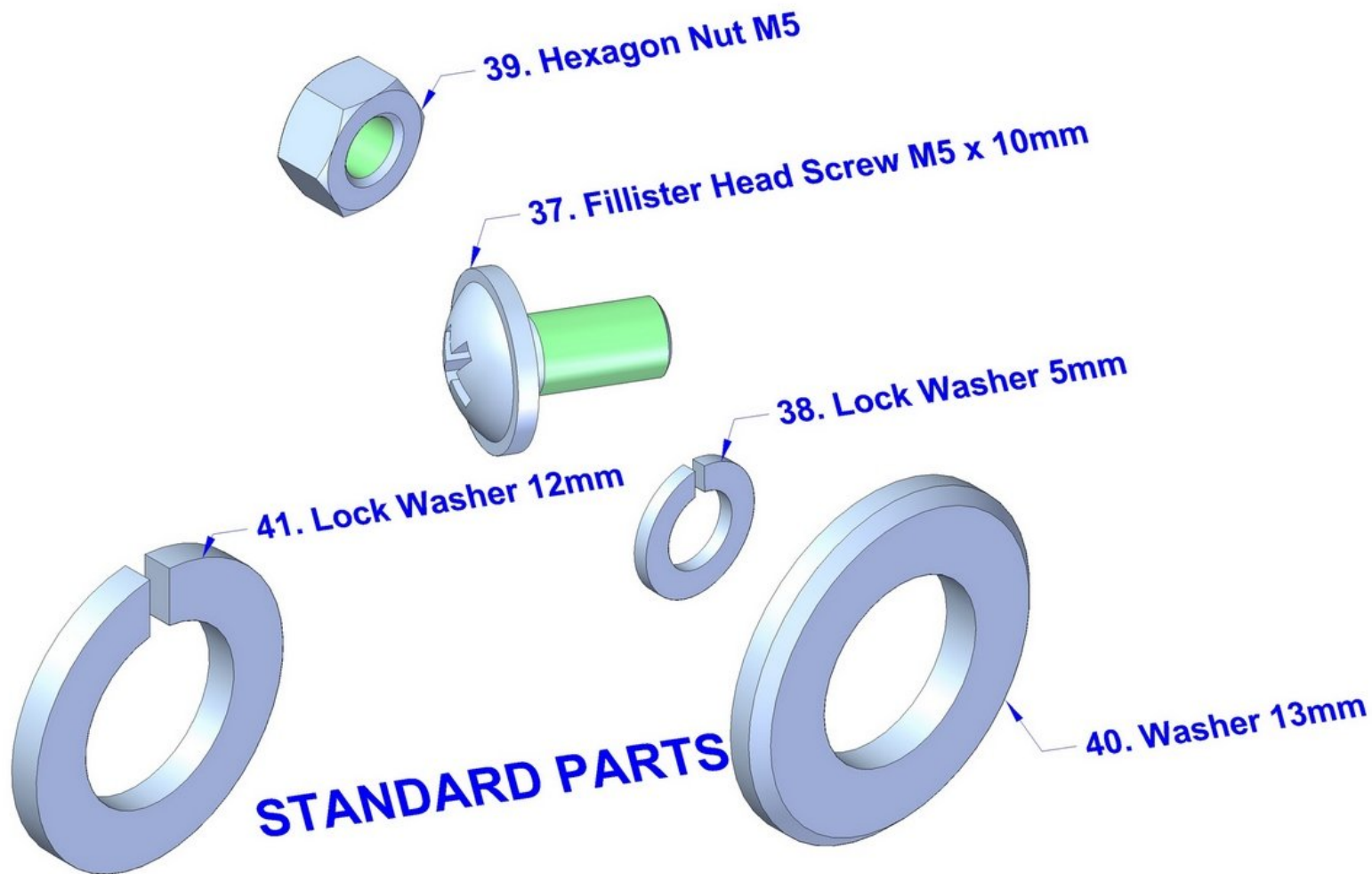
47. Seat Front Spiral

Central line length = 427mm



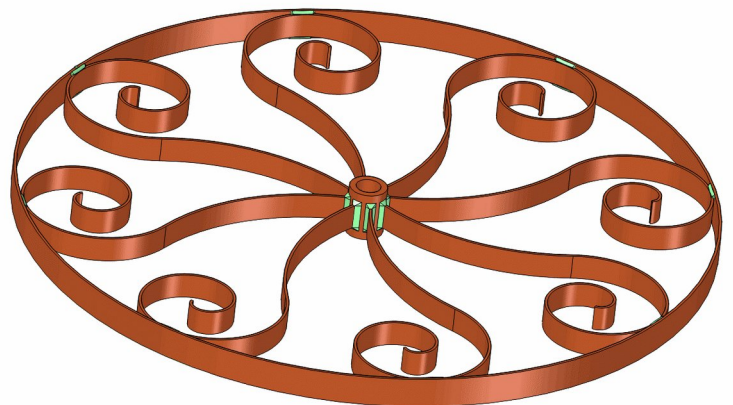
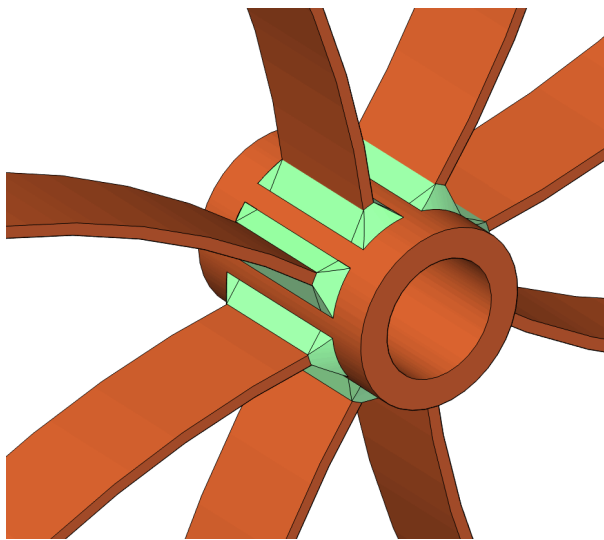
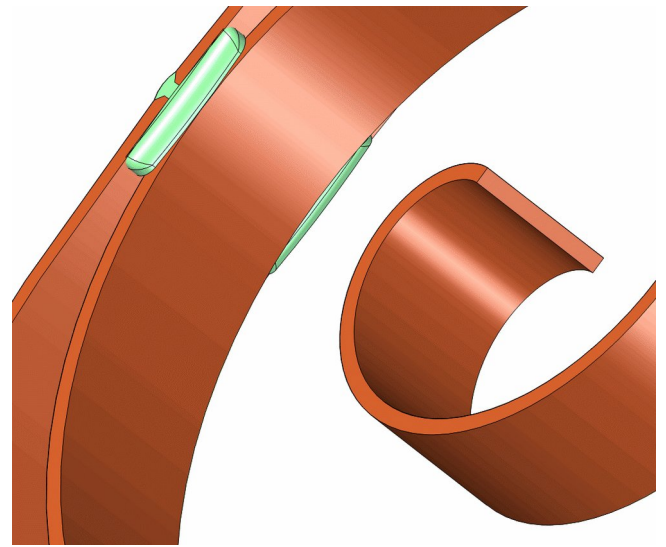
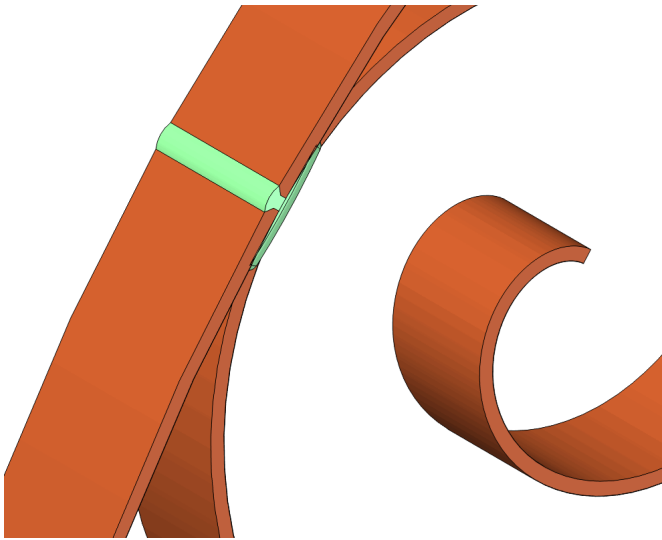
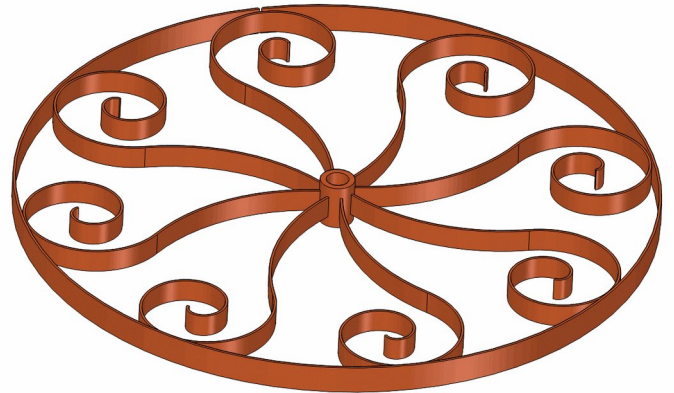
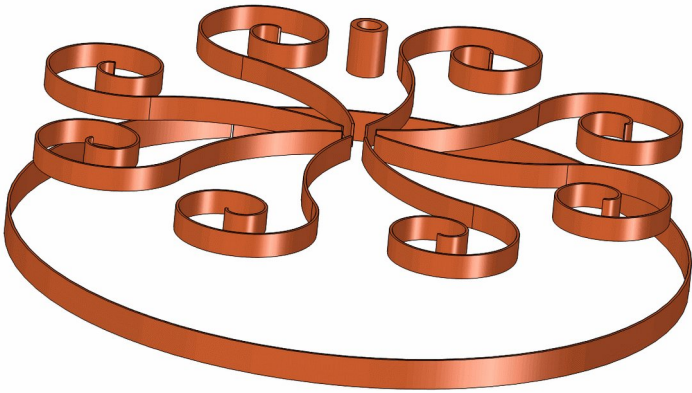


Standard Parts

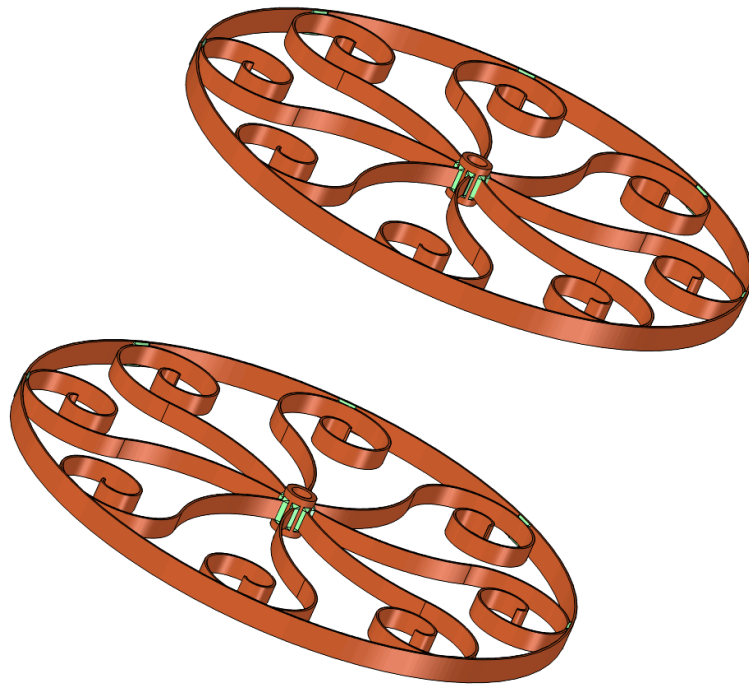


Assemblage images

1.

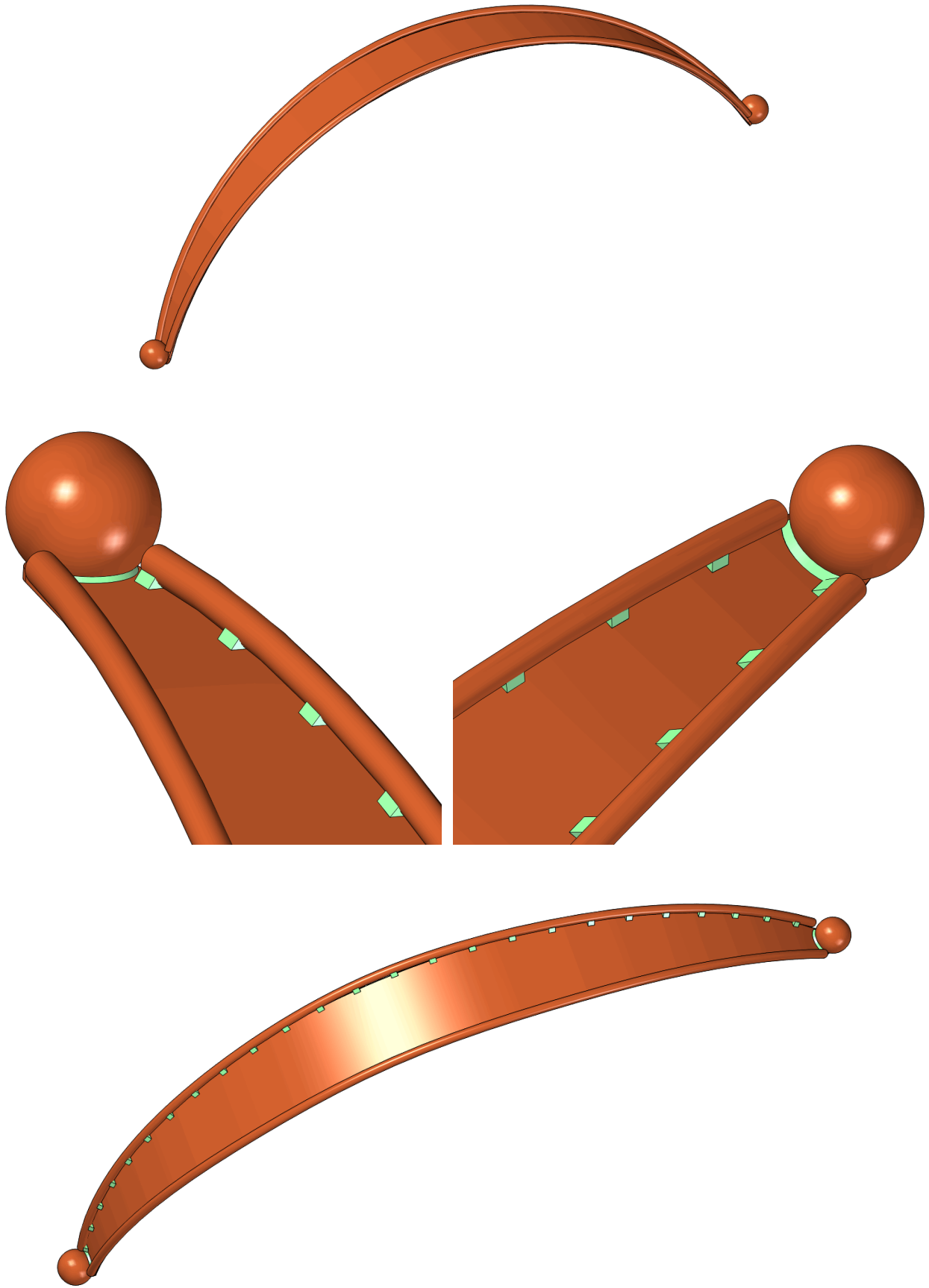


2.

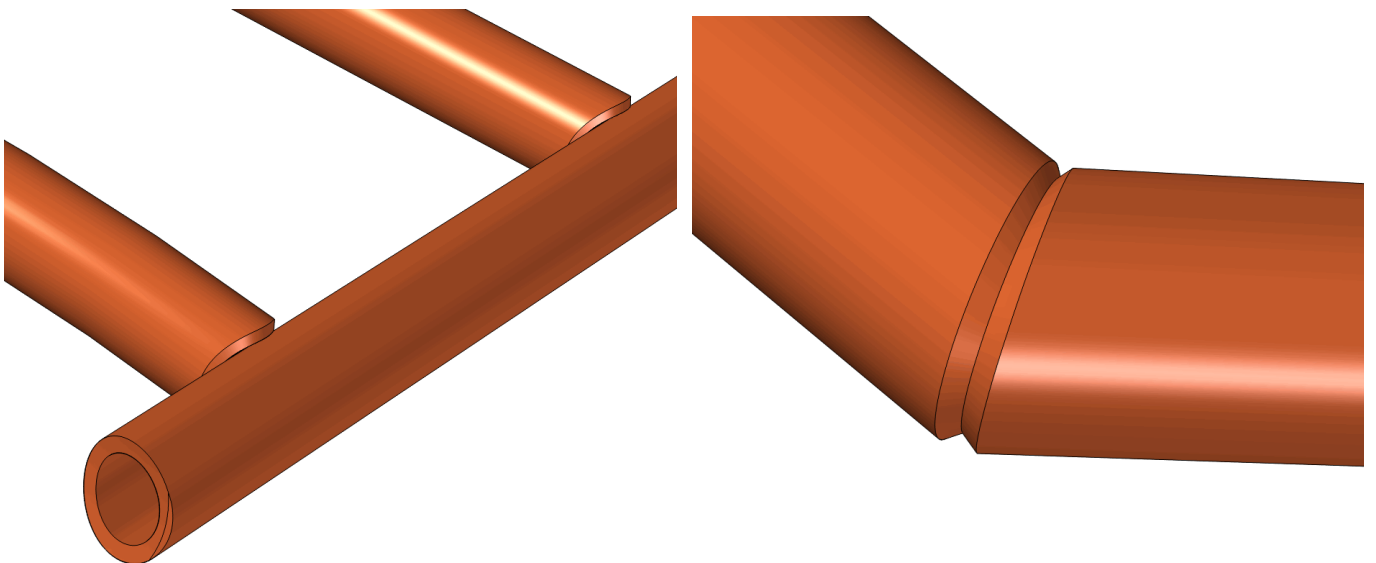
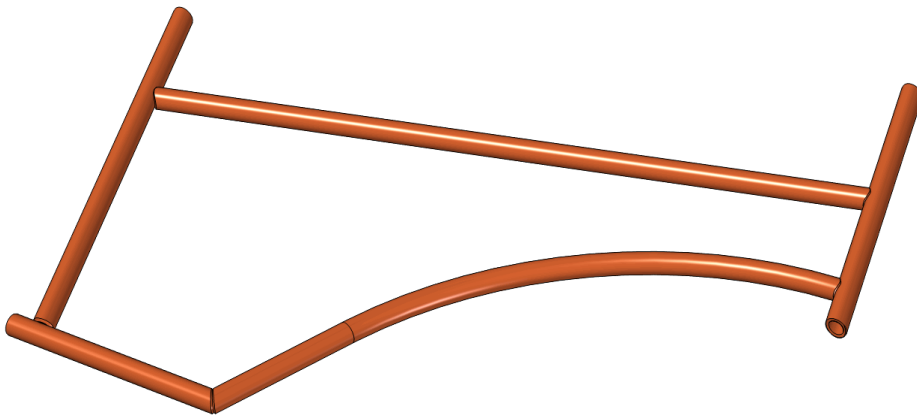
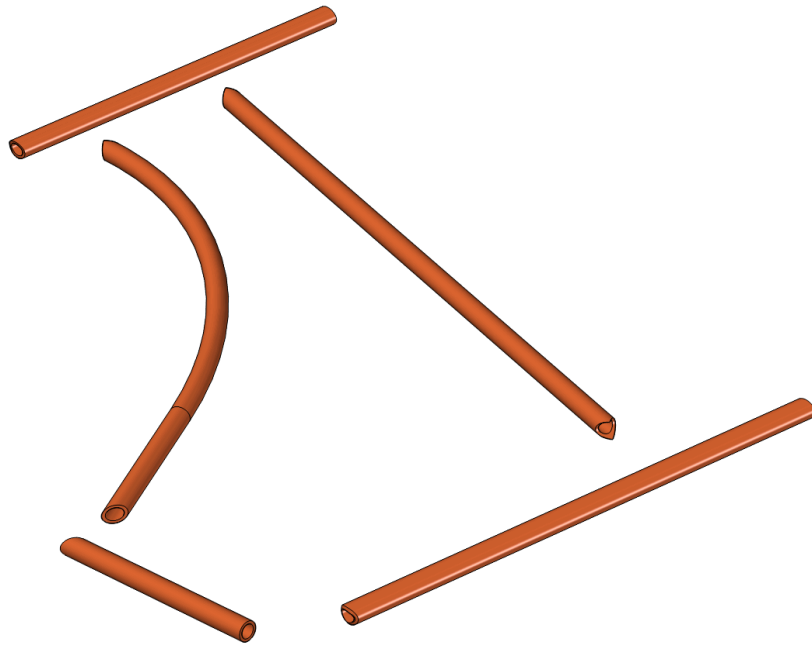


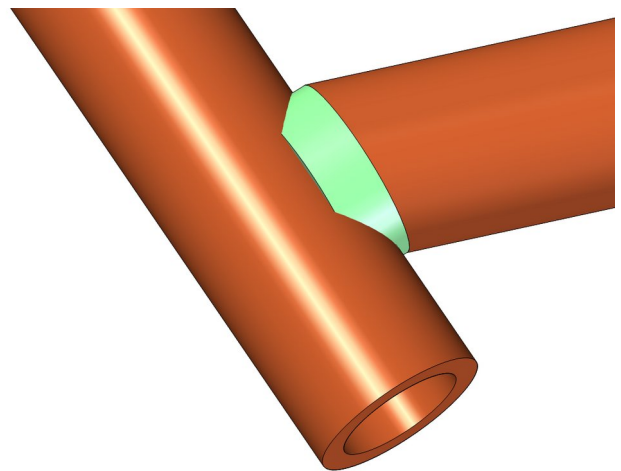
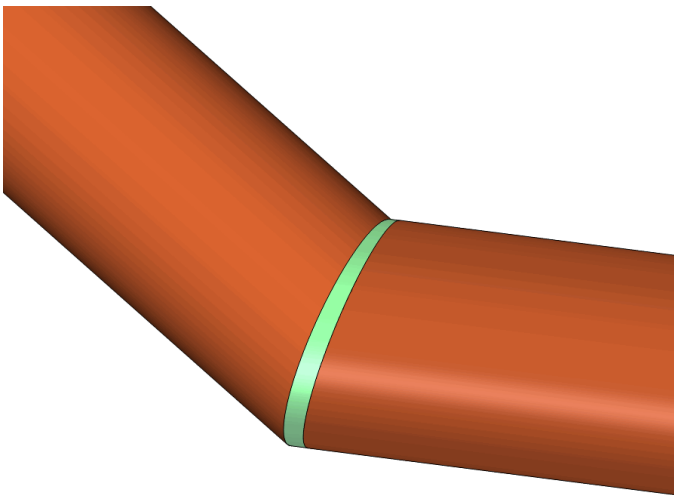
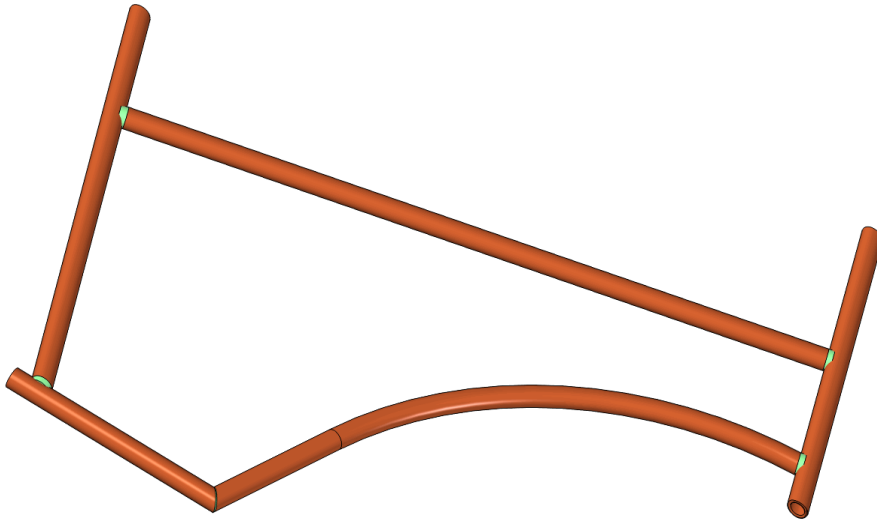
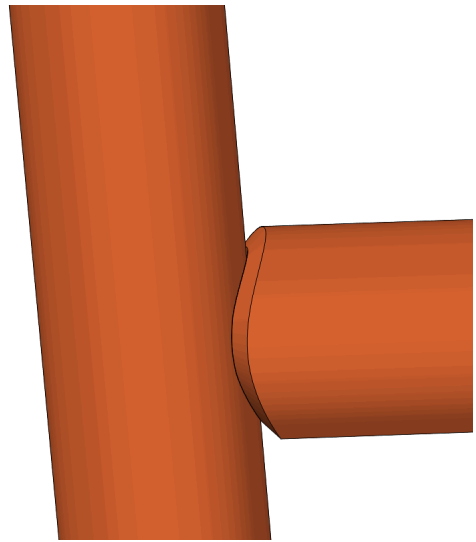
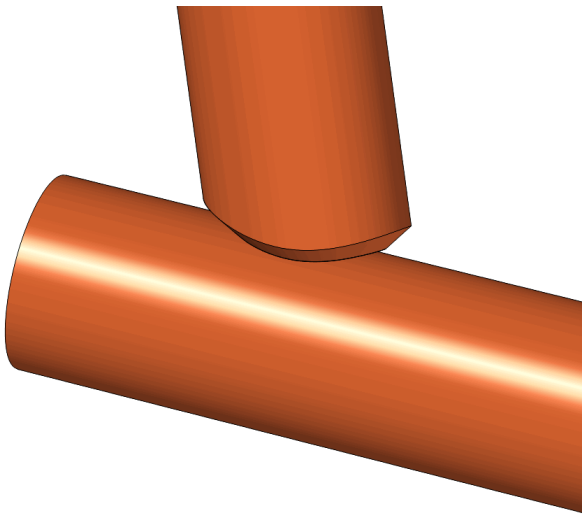
3.

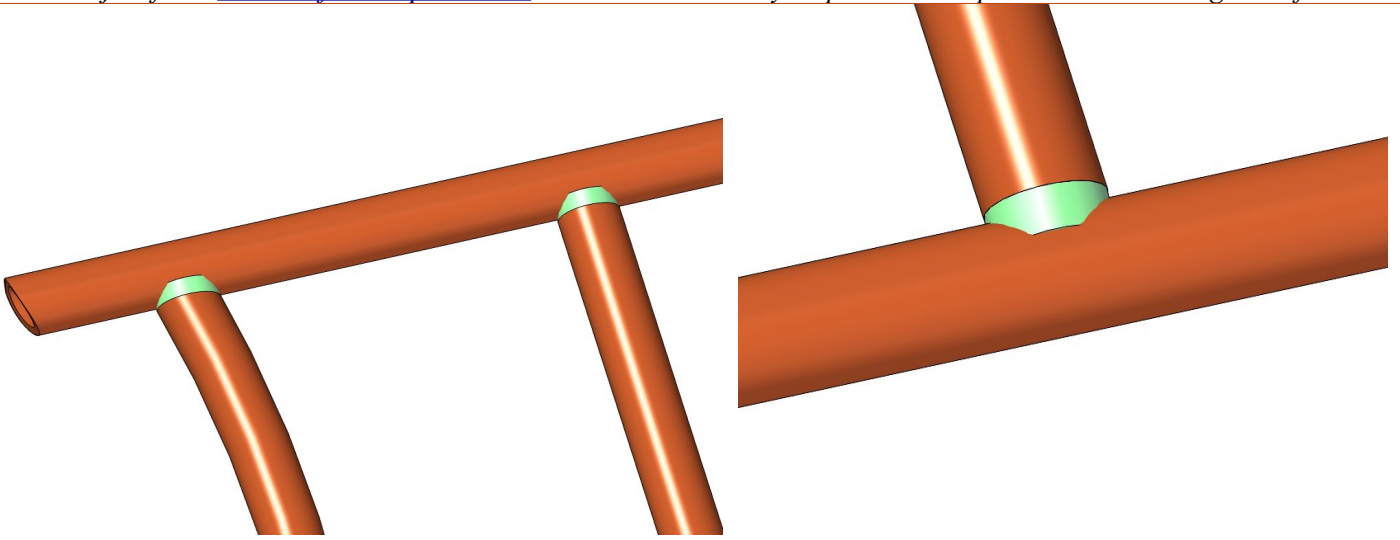




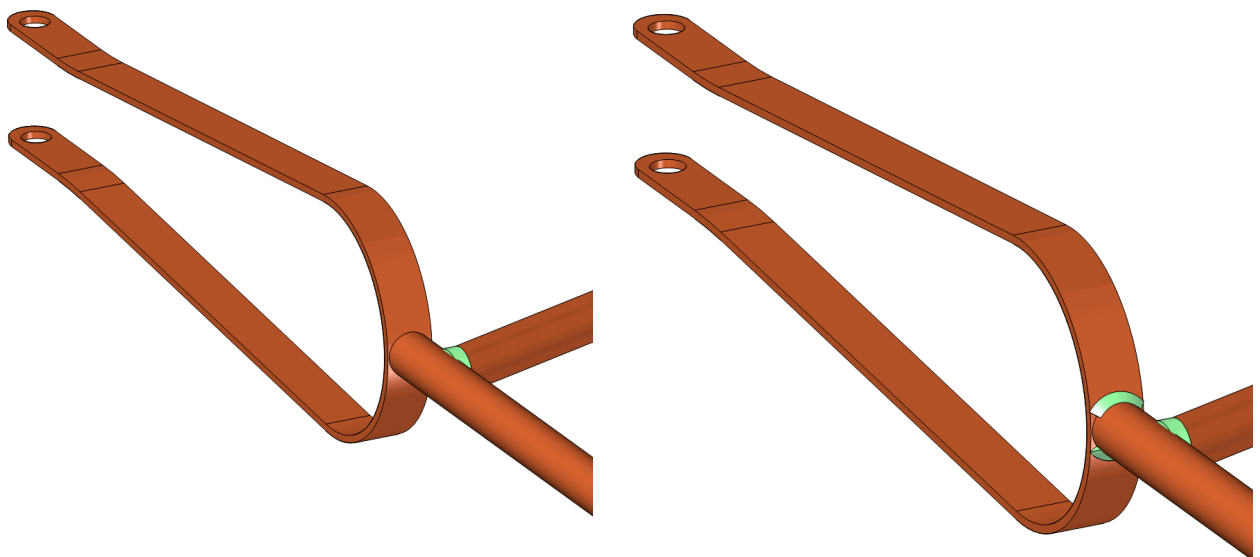
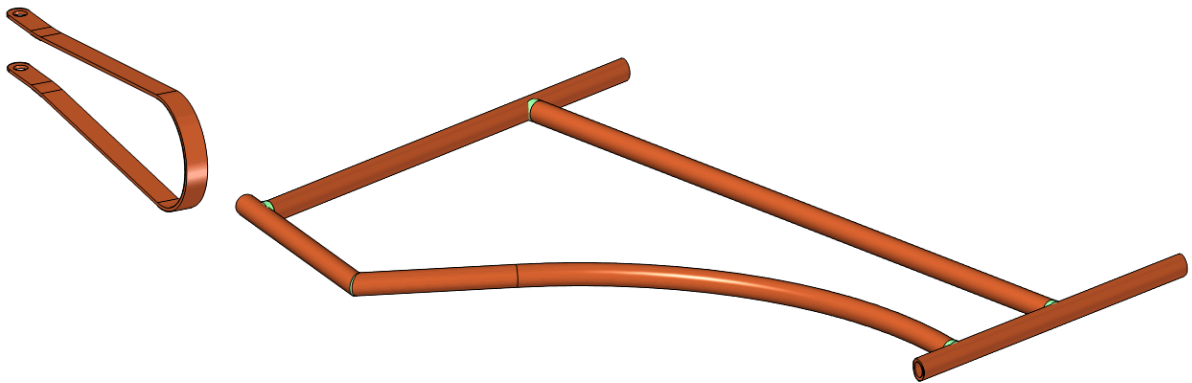
4.

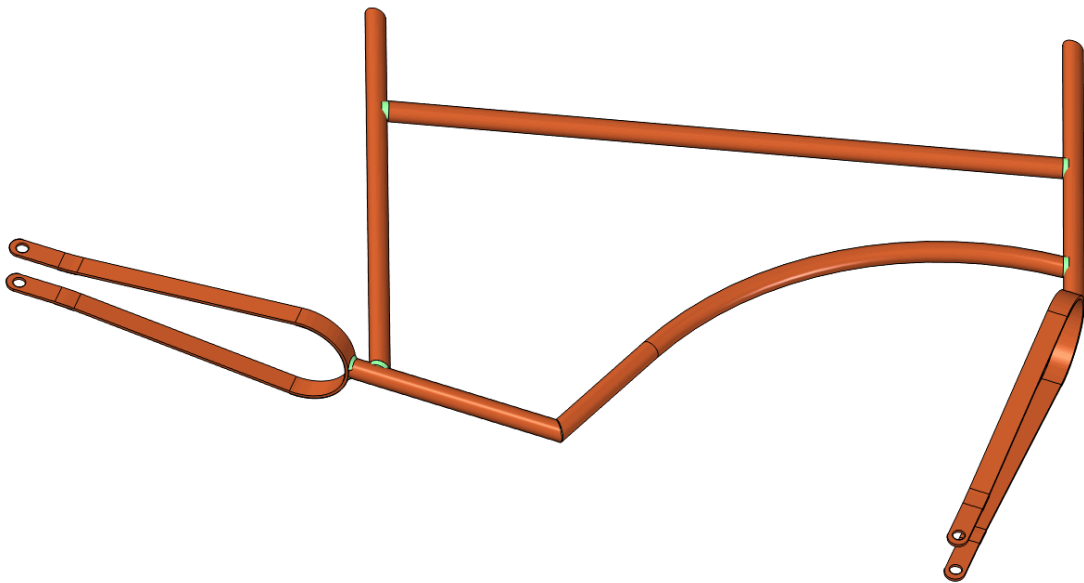
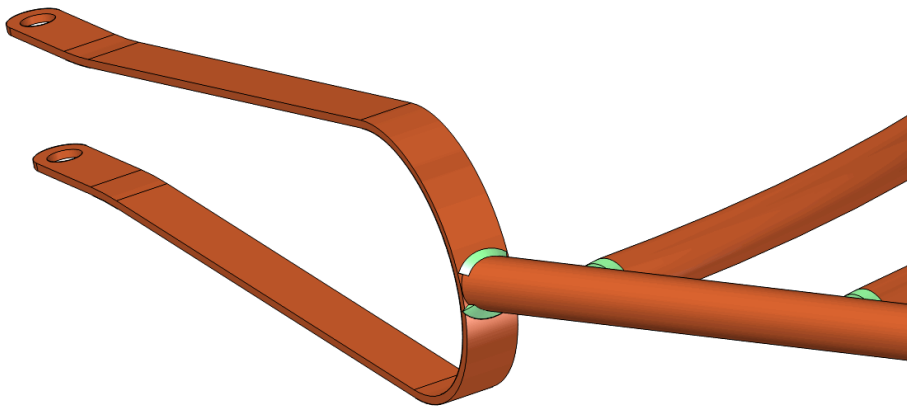
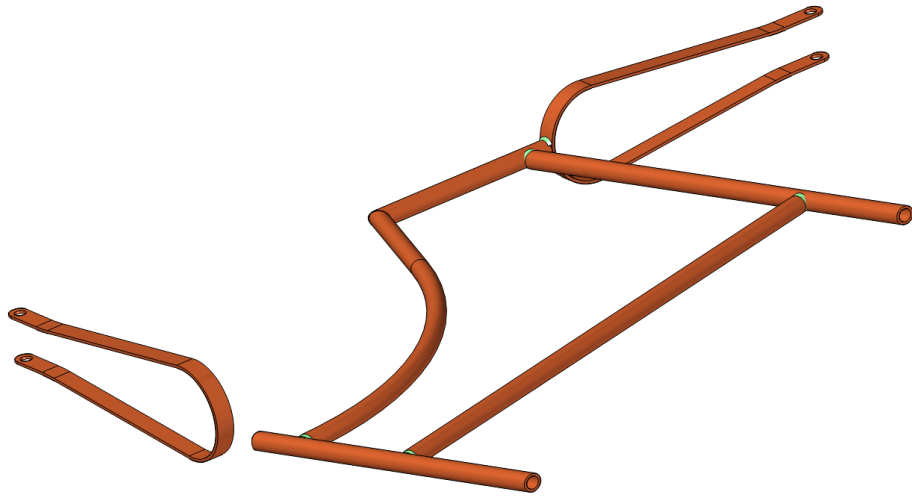




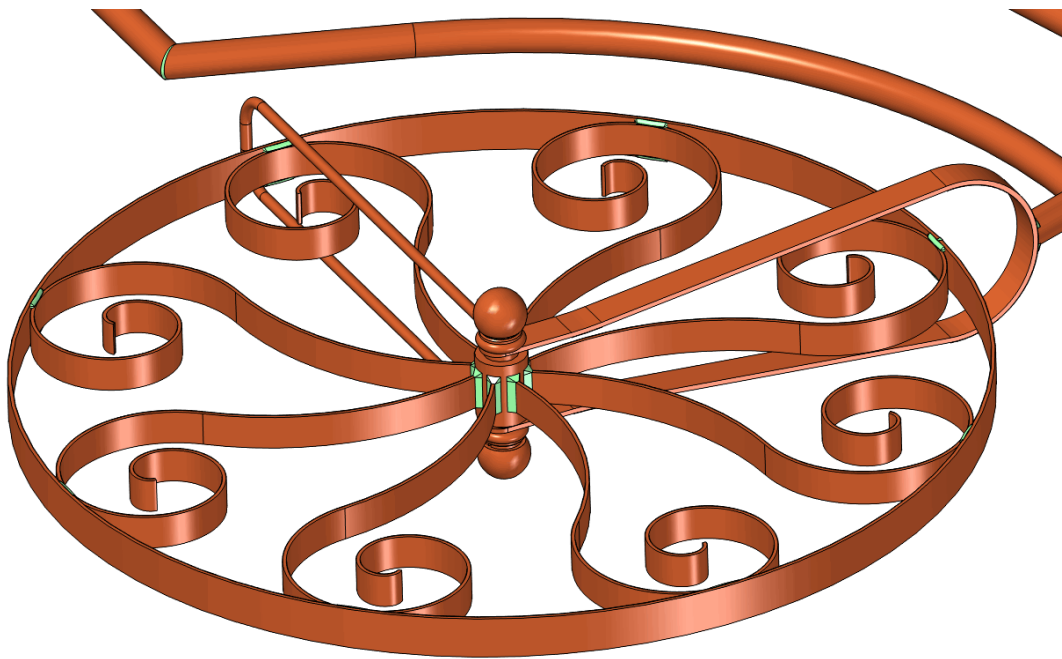
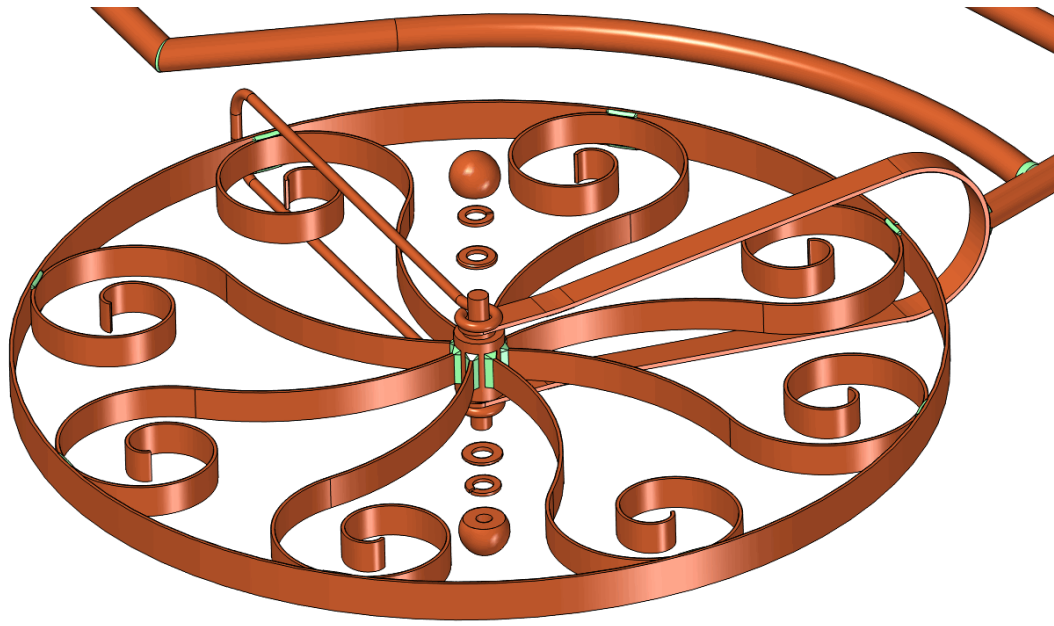


5.

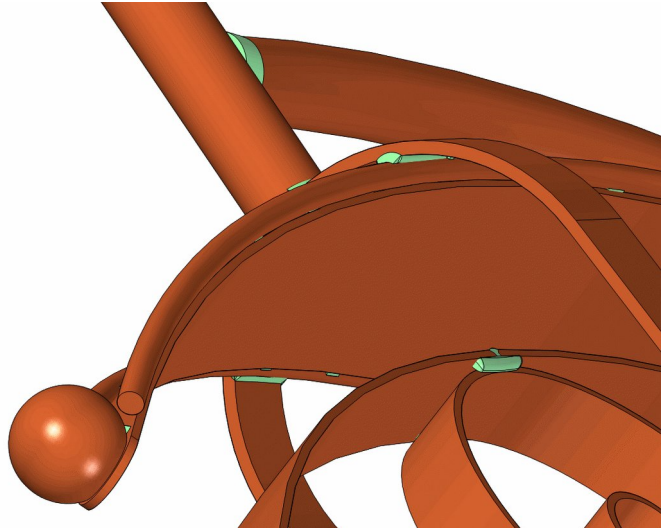
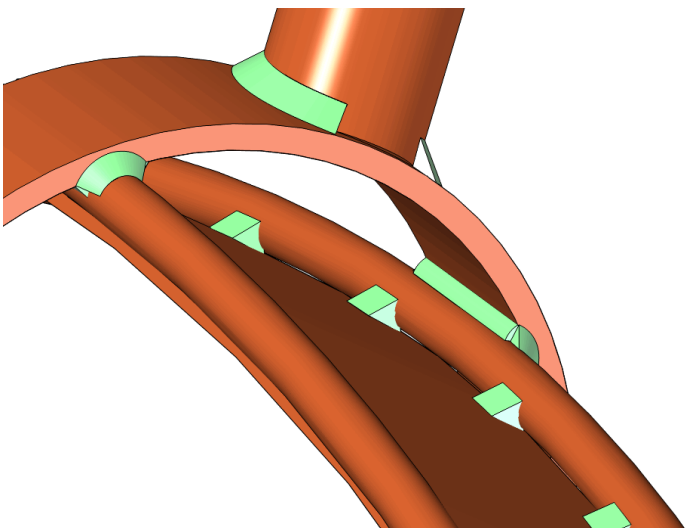
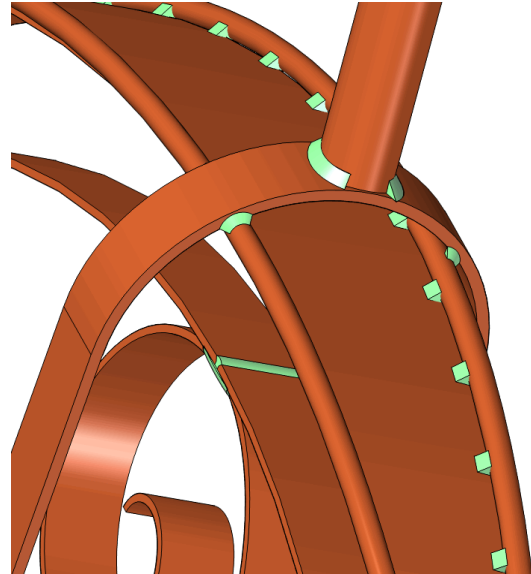
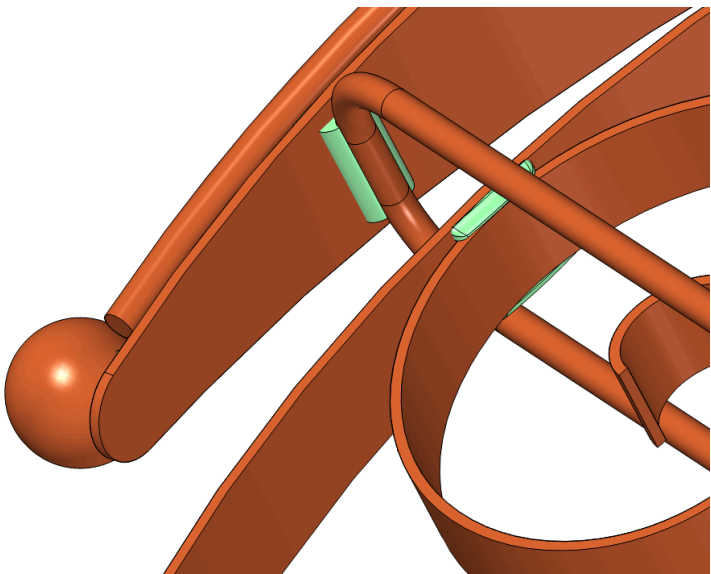
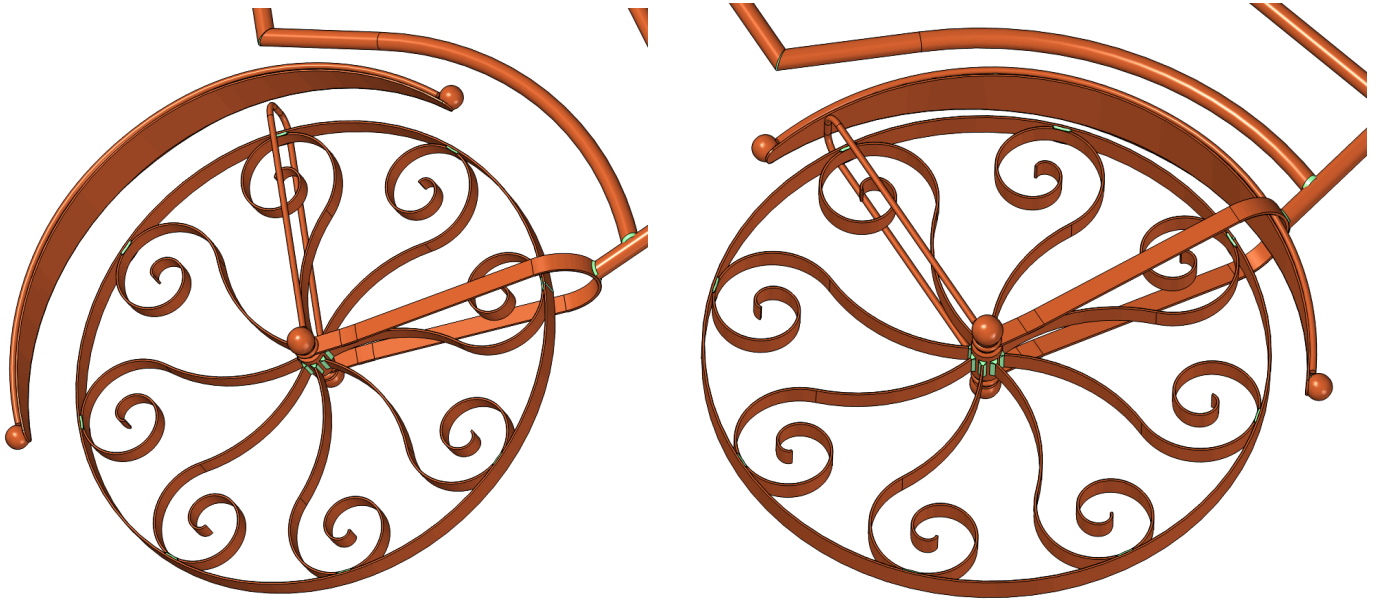




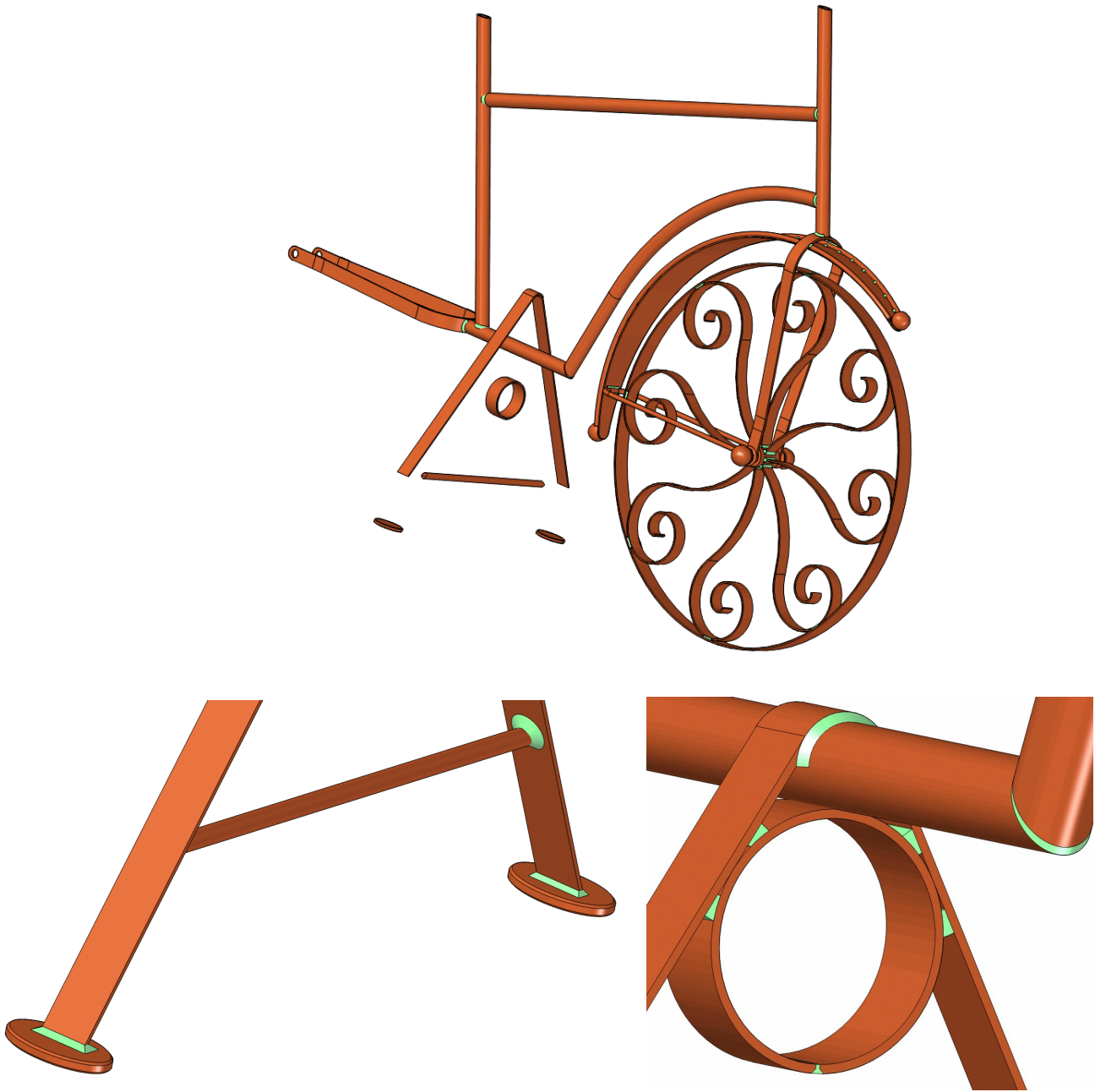
6.



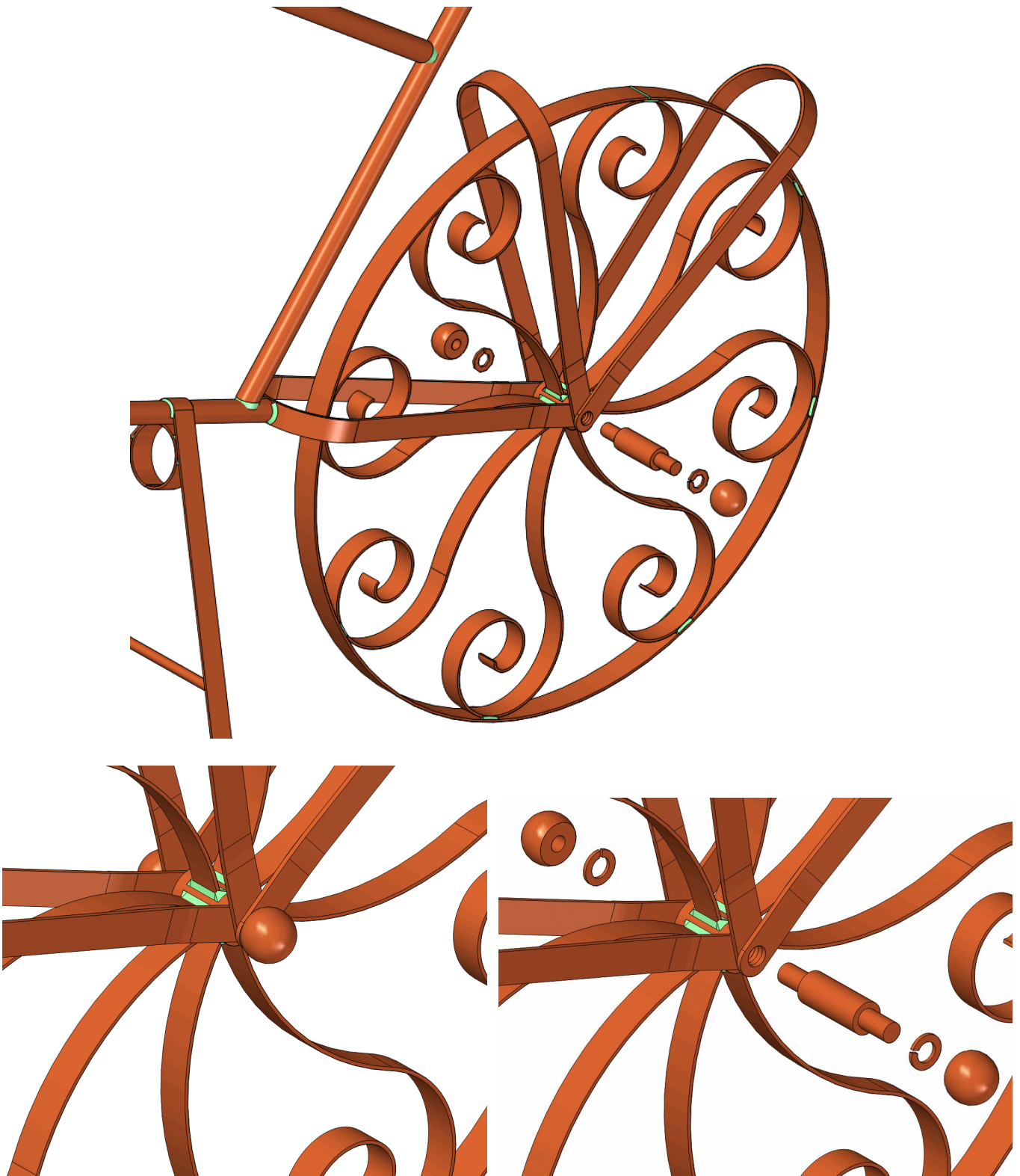
7.



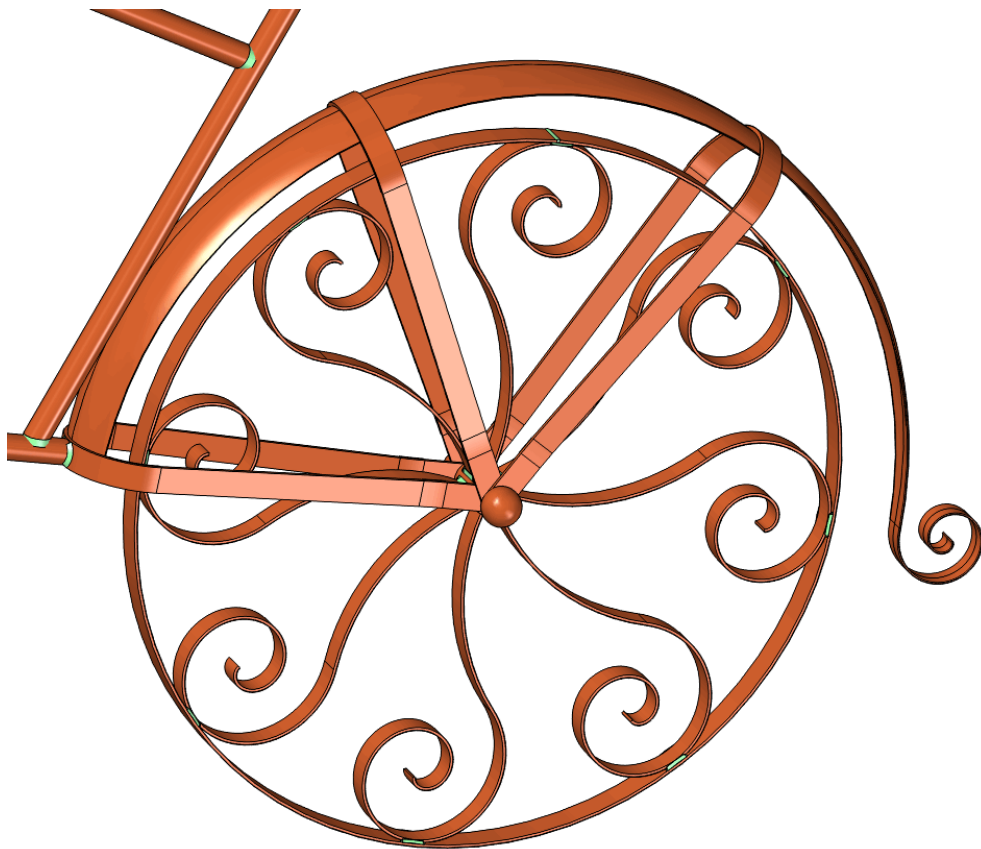
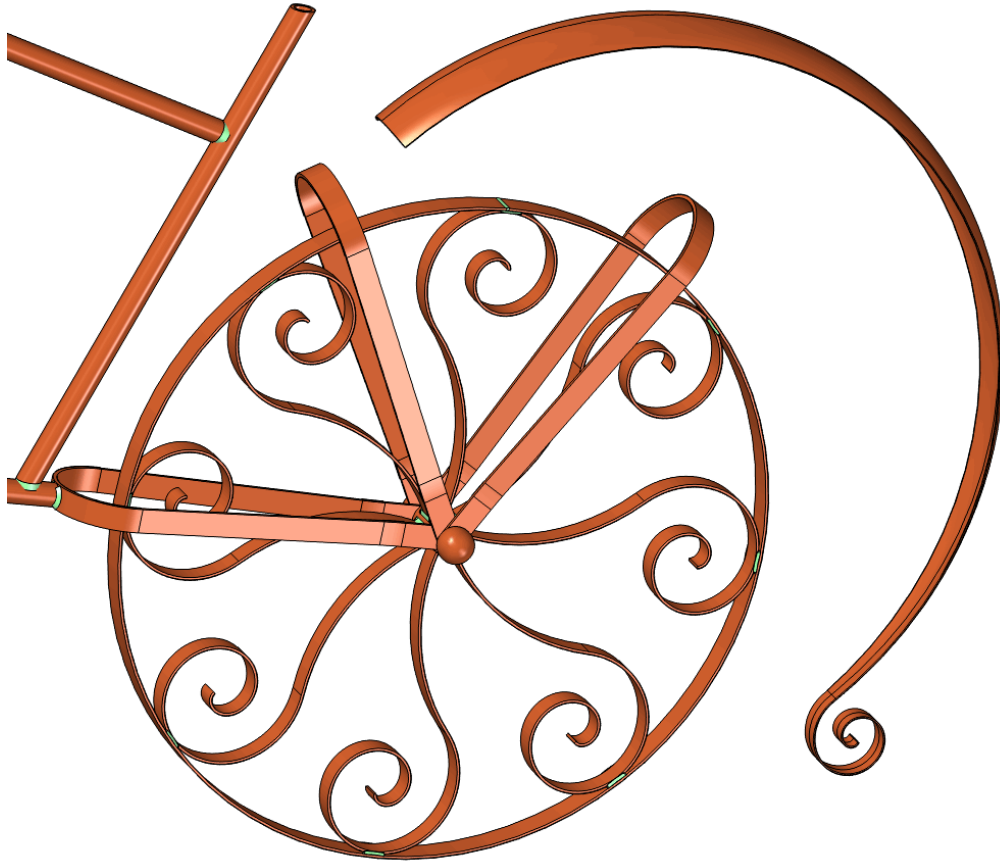
8.



9.

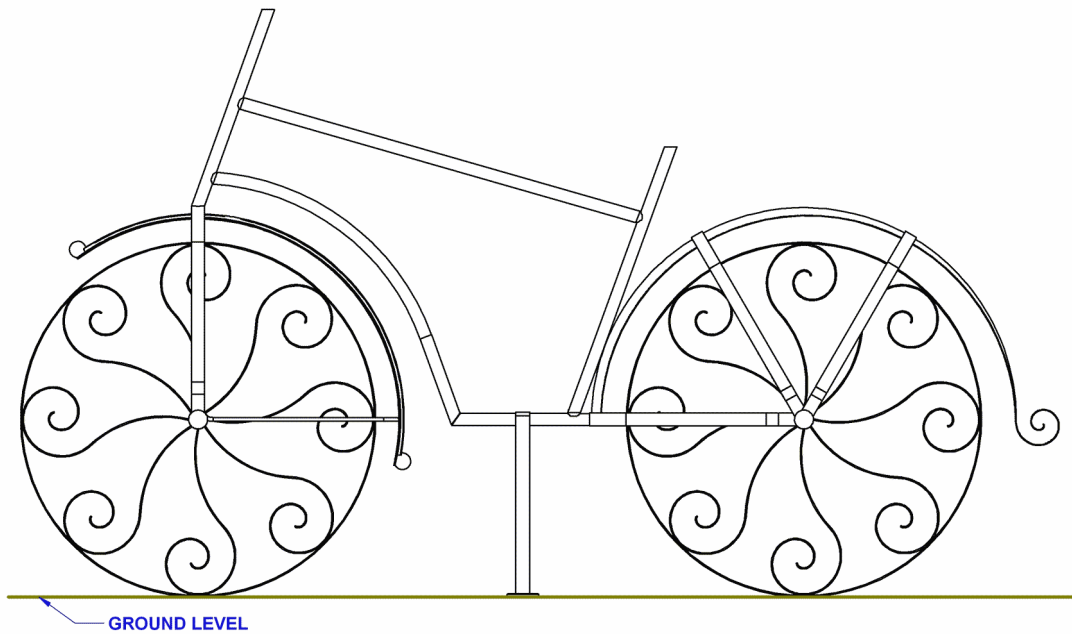


10.

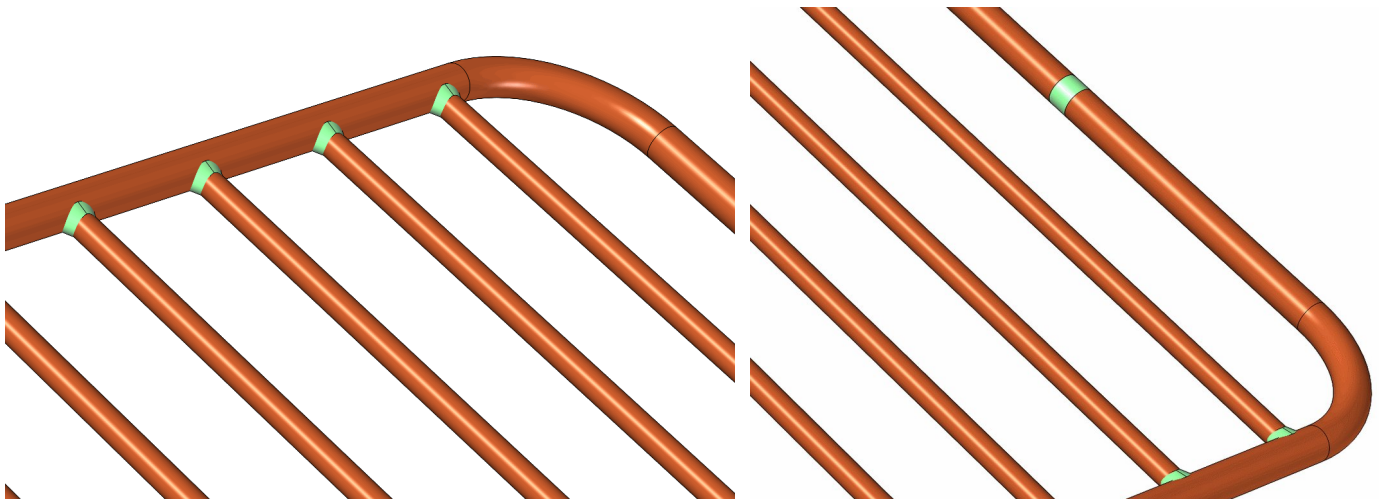
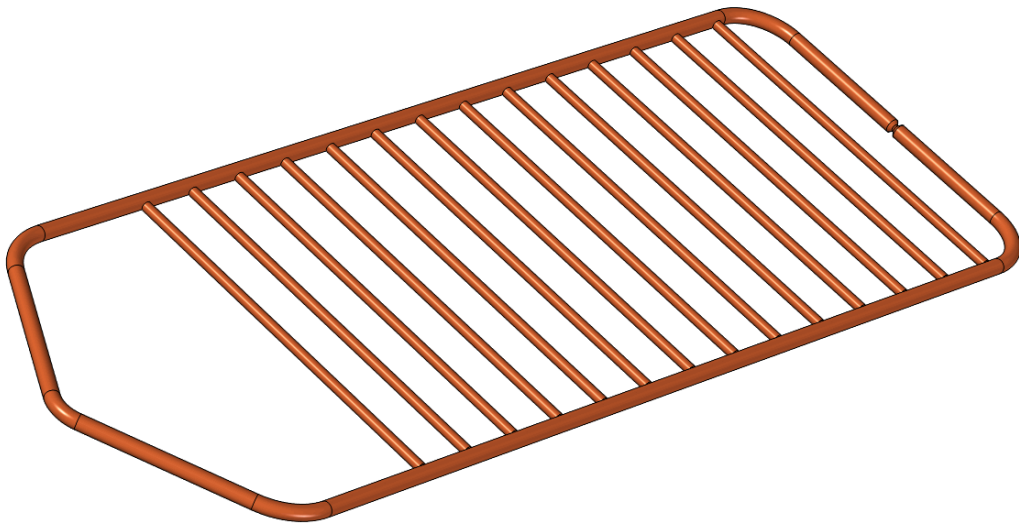
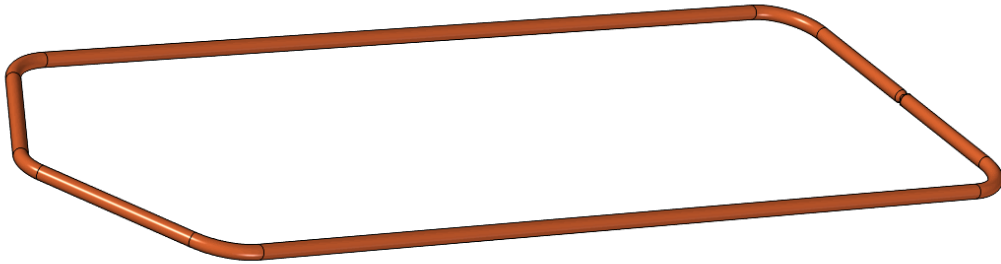
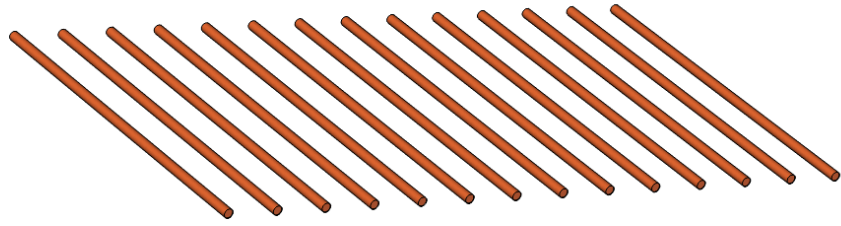


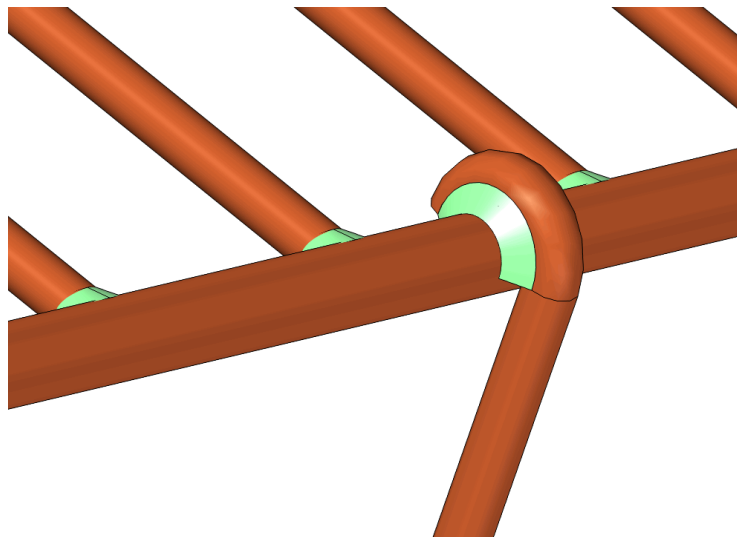
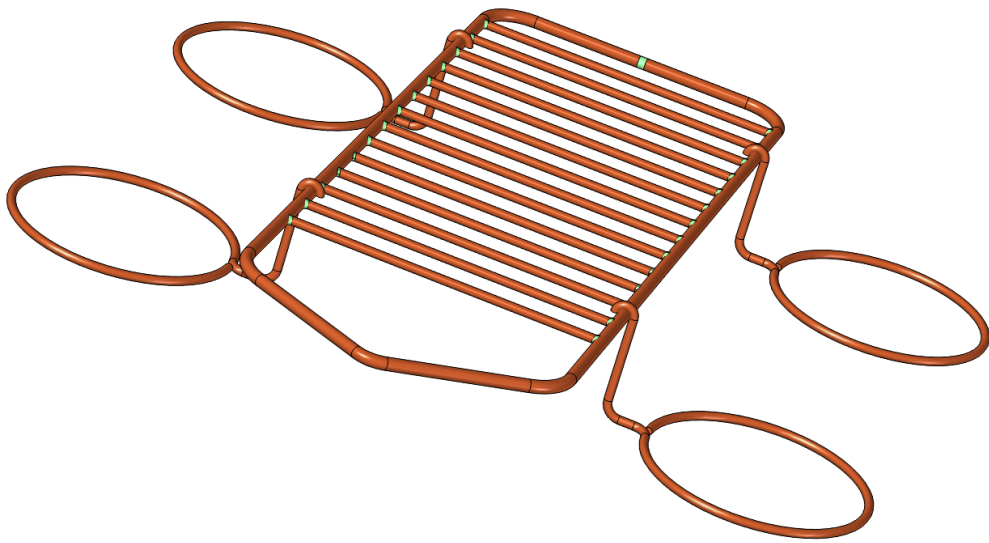
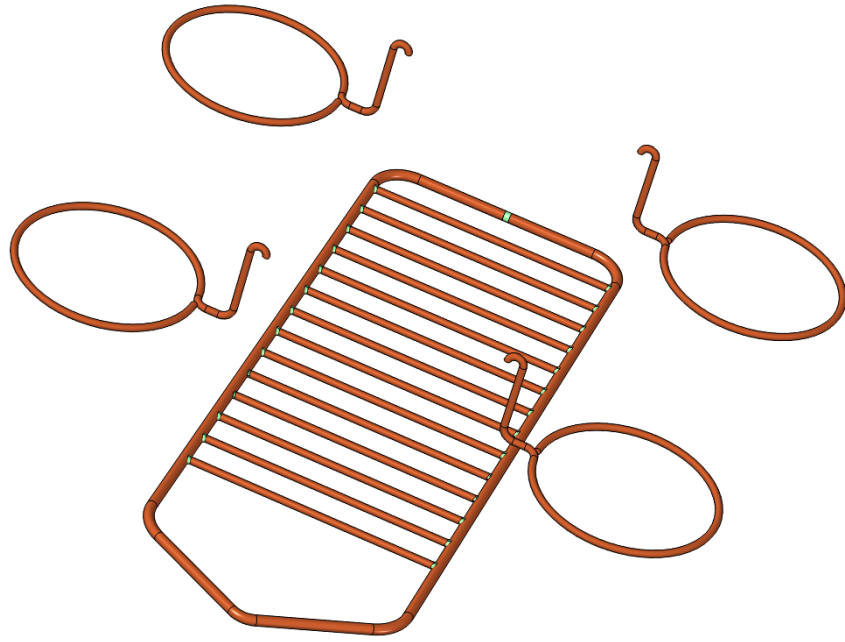


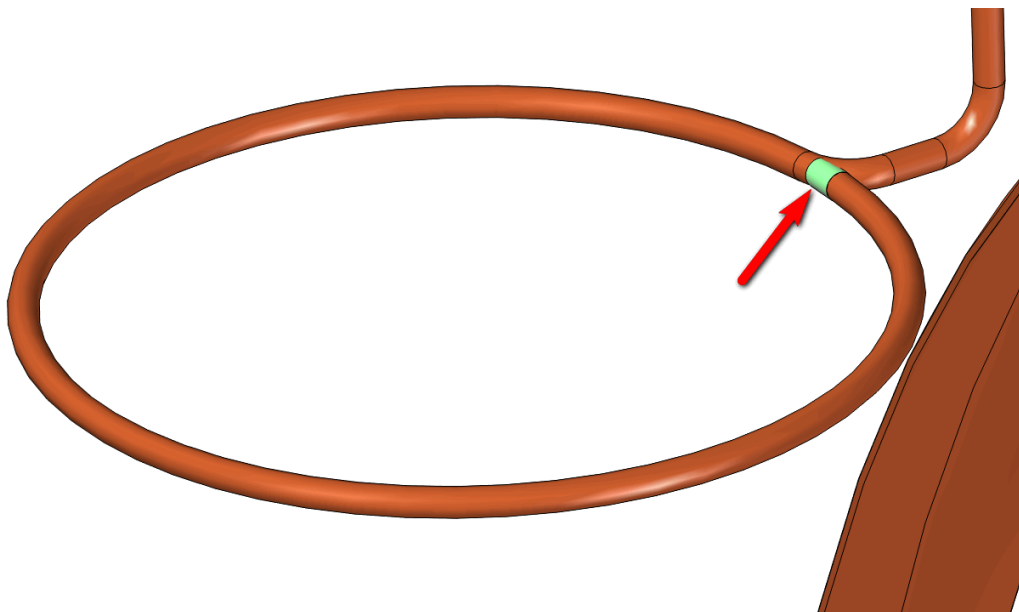
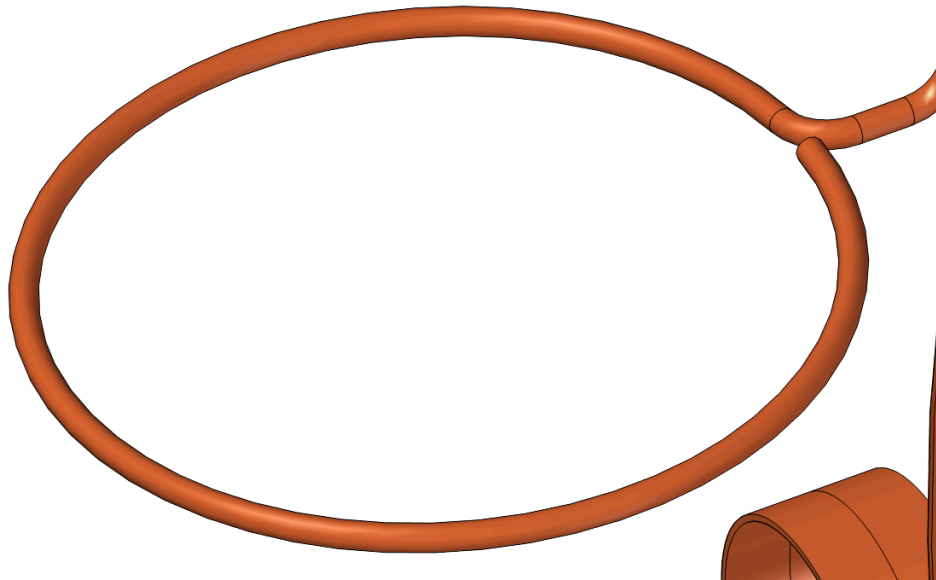
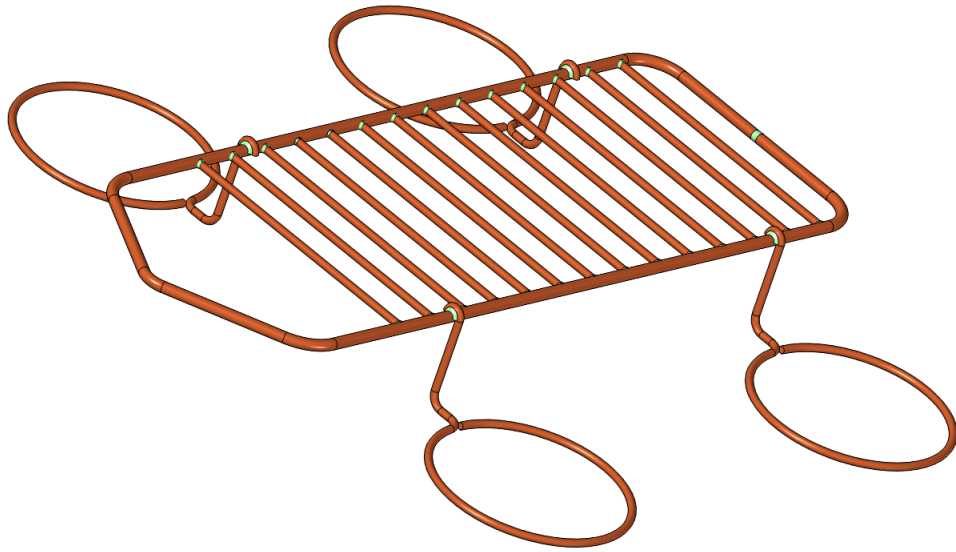
Put this construction in vertical position to check out does it stands stable on the ground.



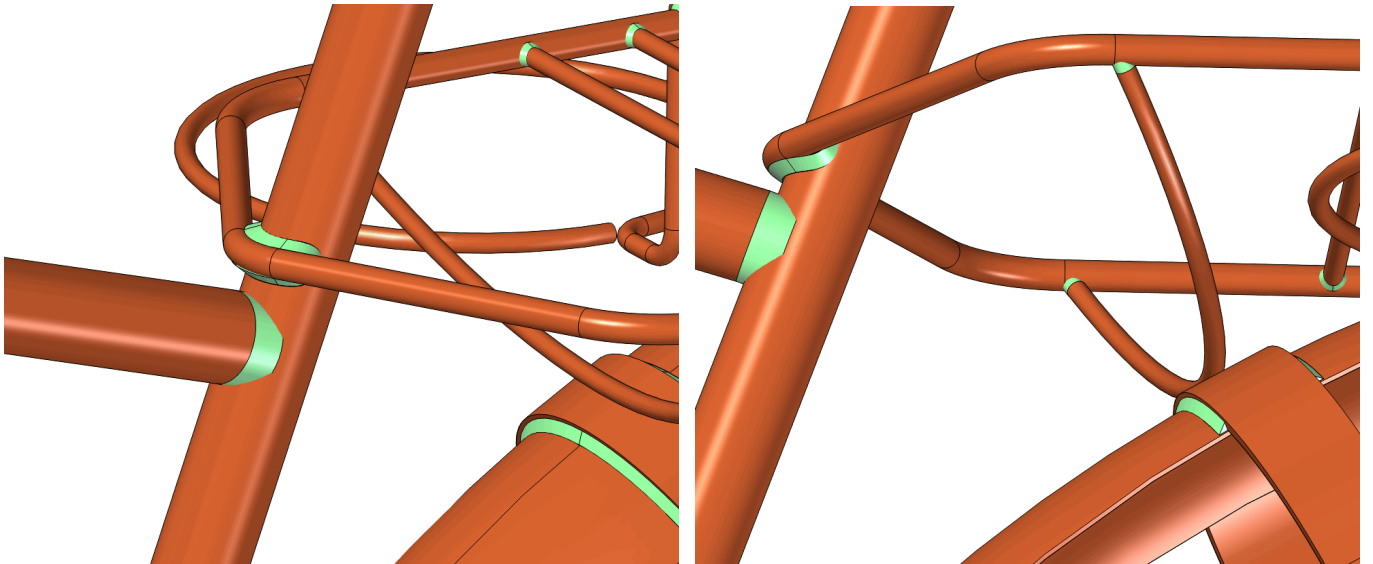
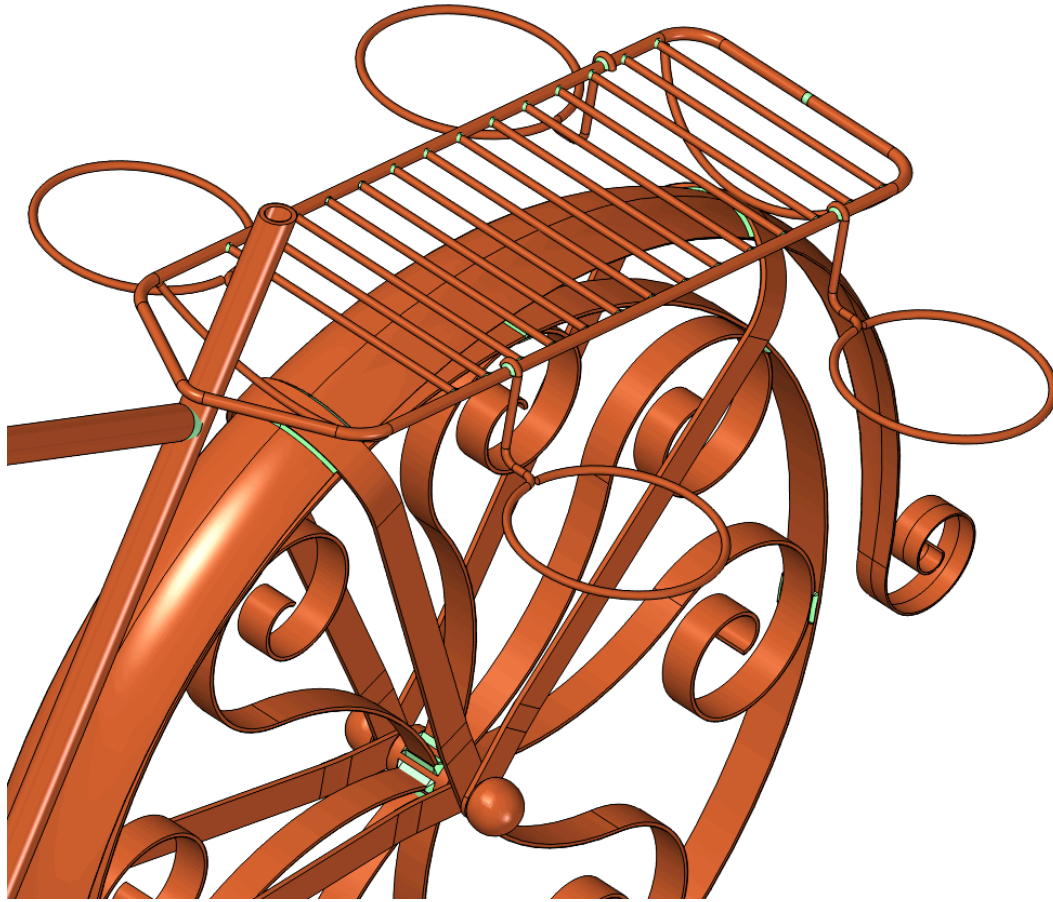
11.

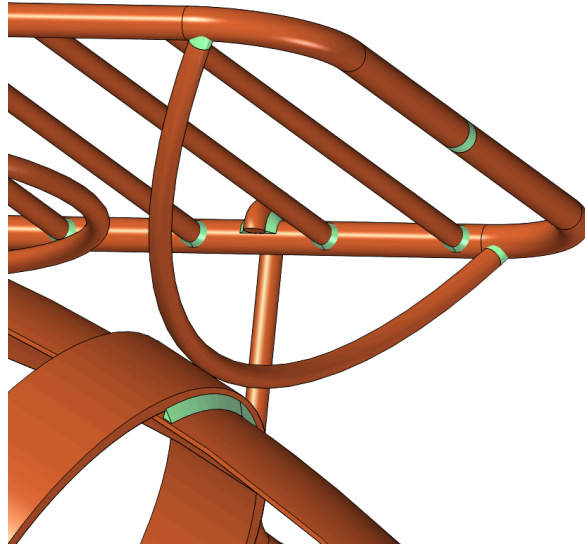






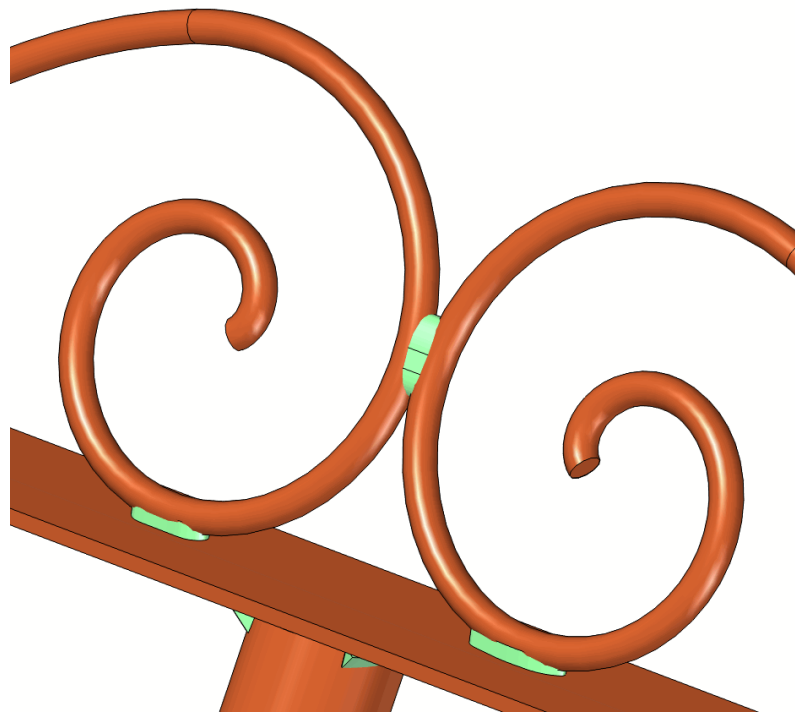
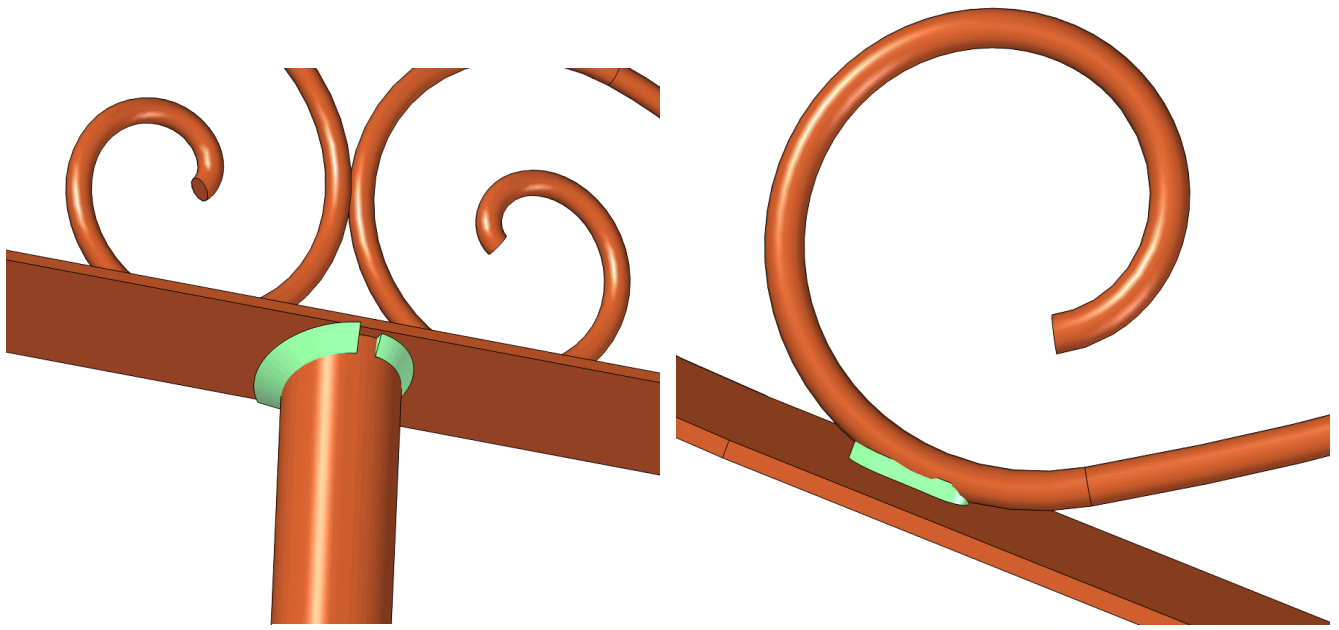
12.



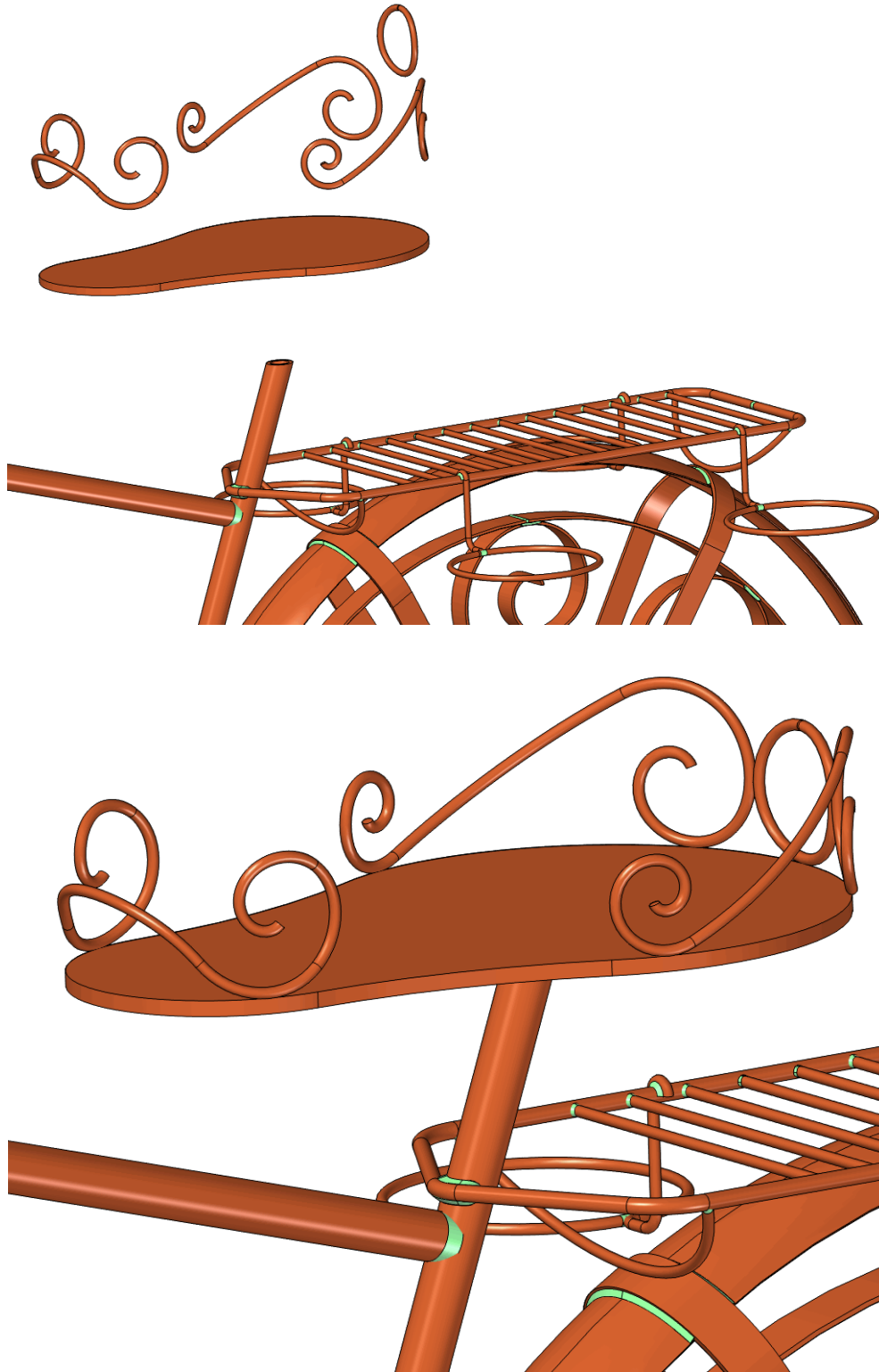


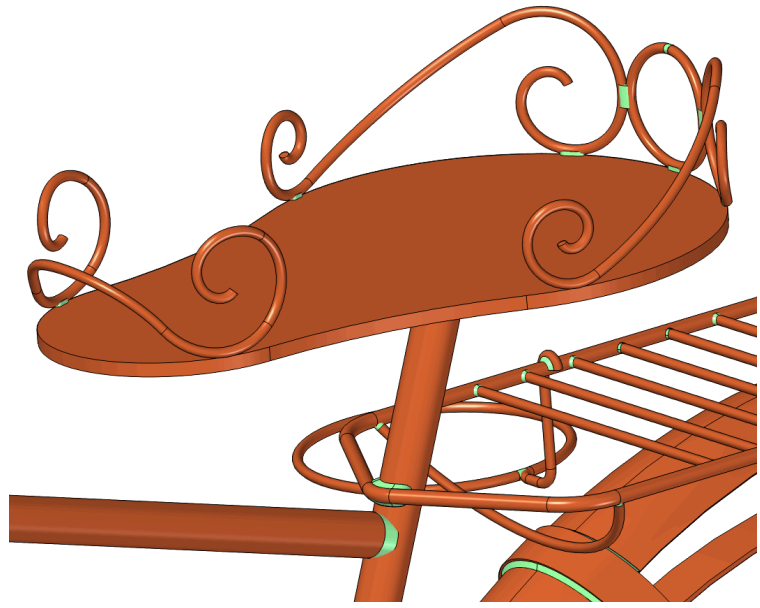
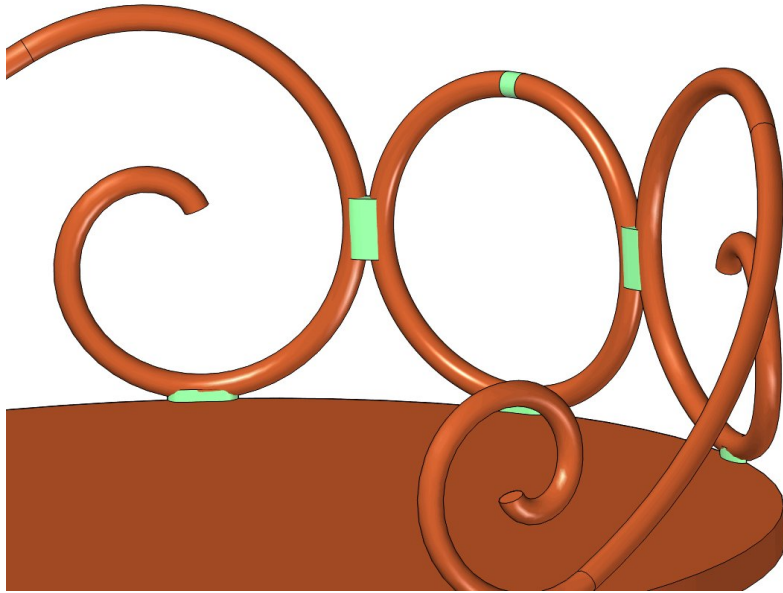
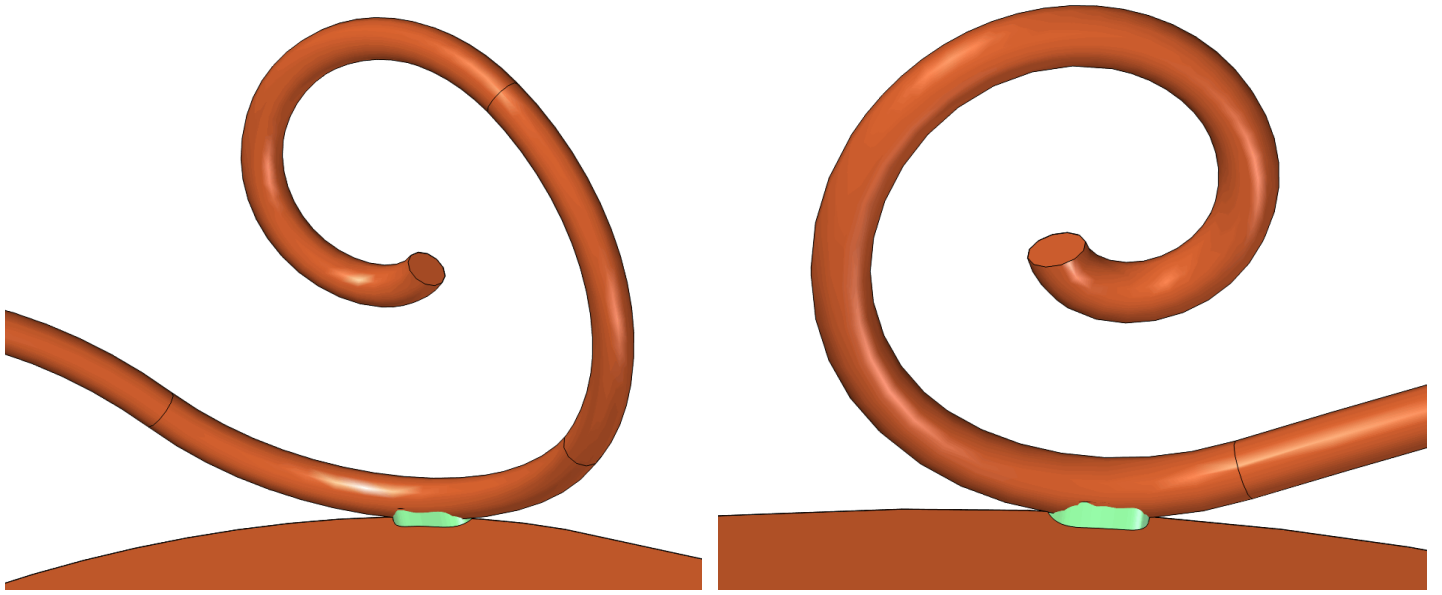
13.



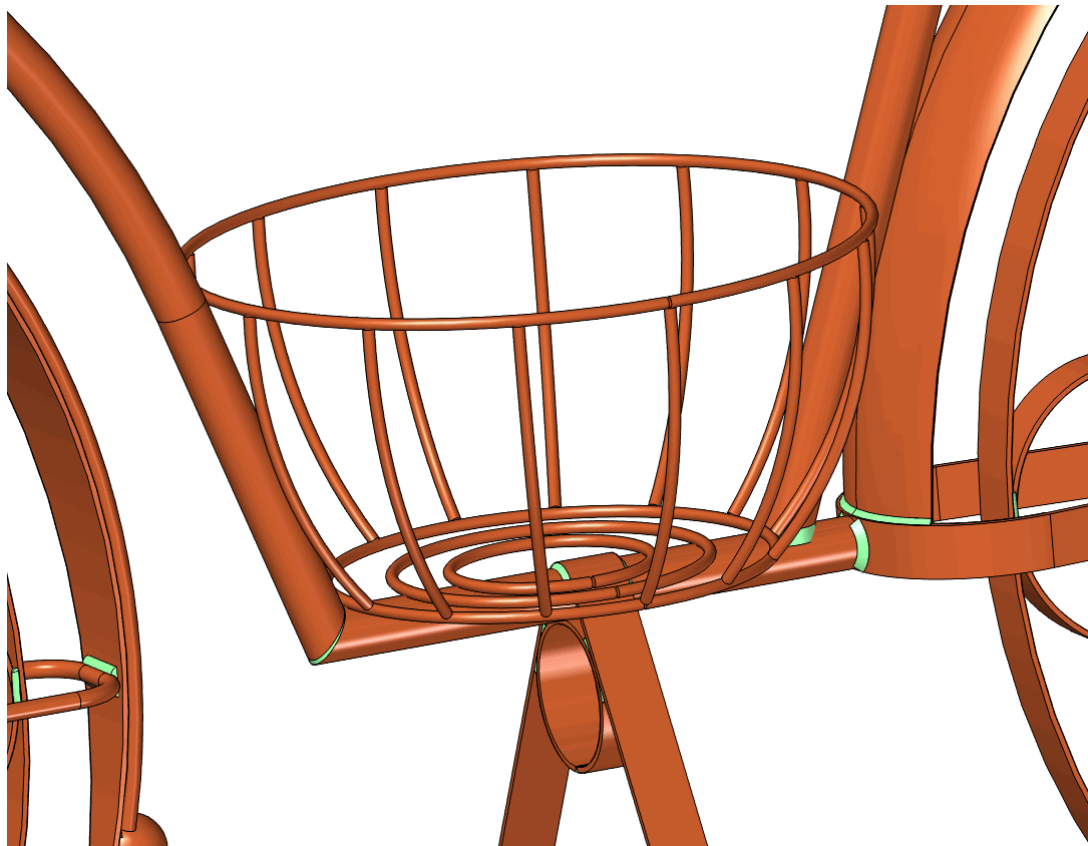
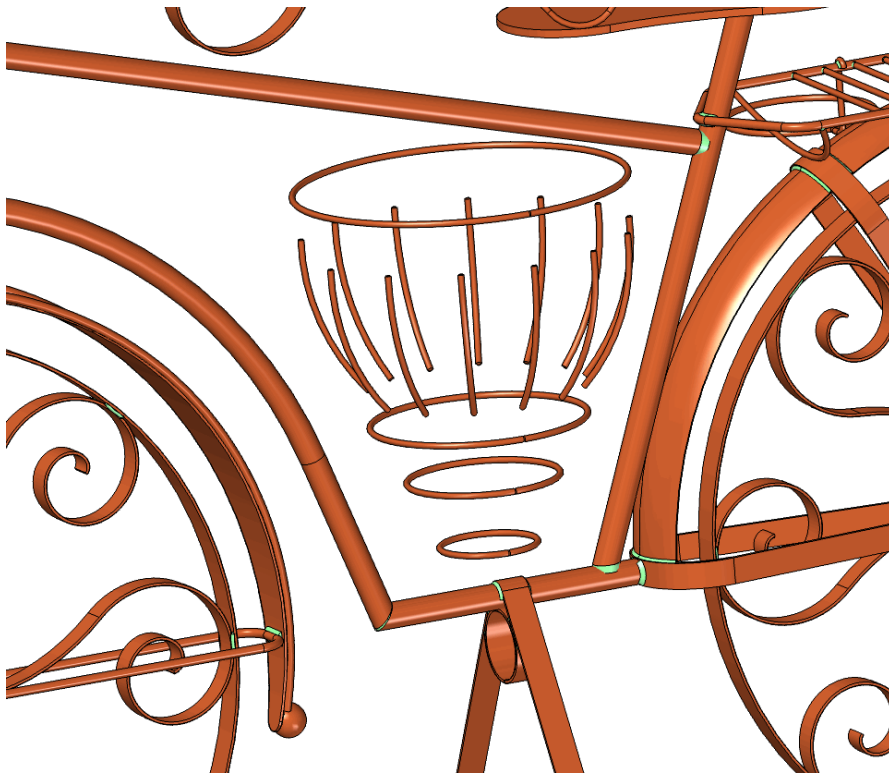


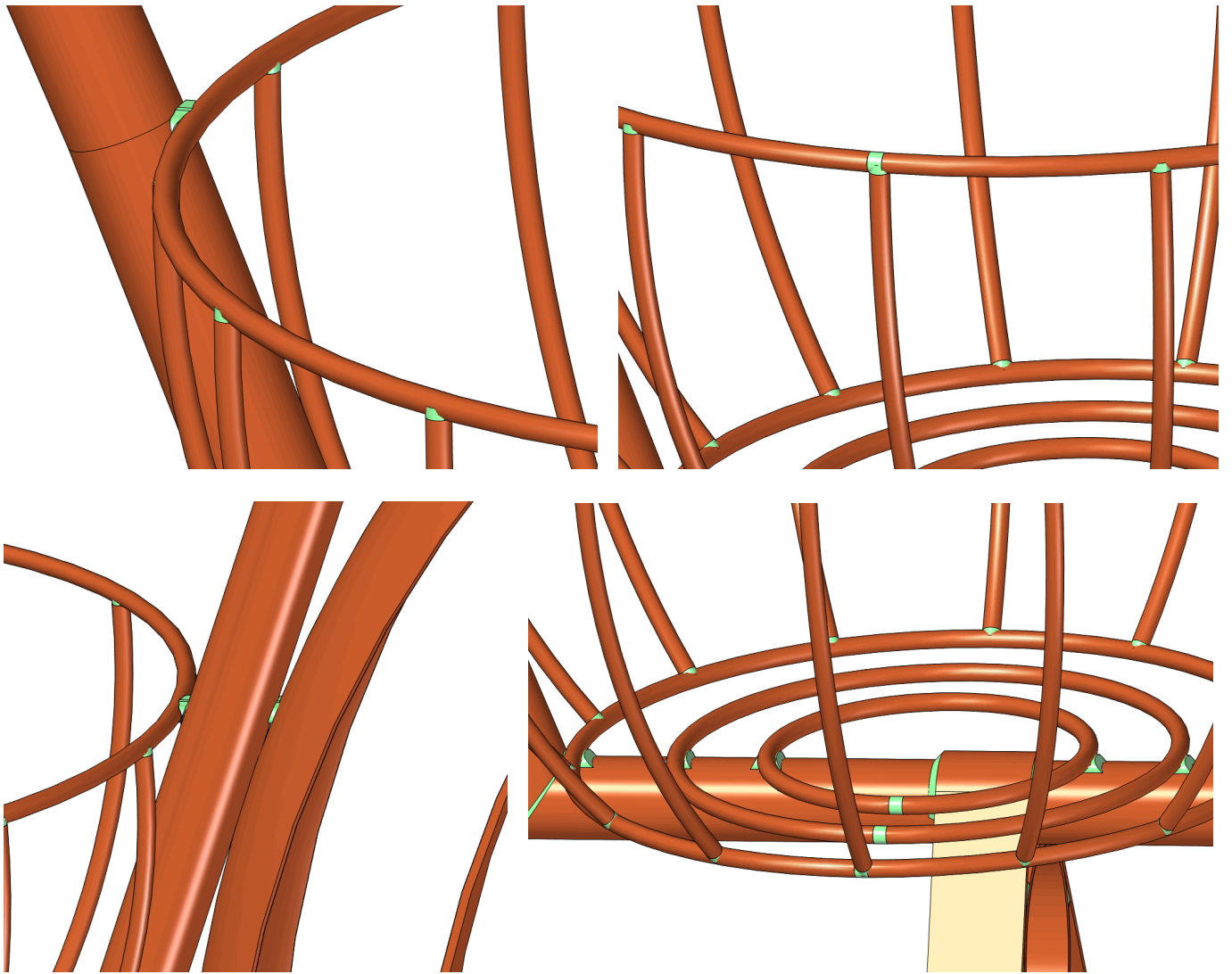
14.



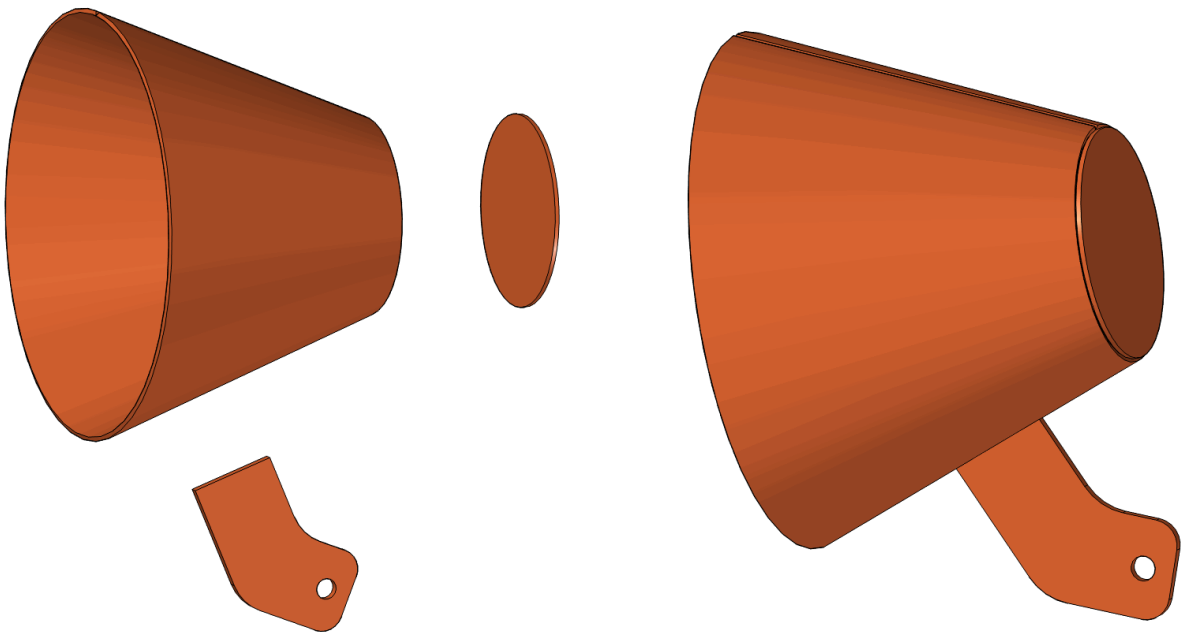


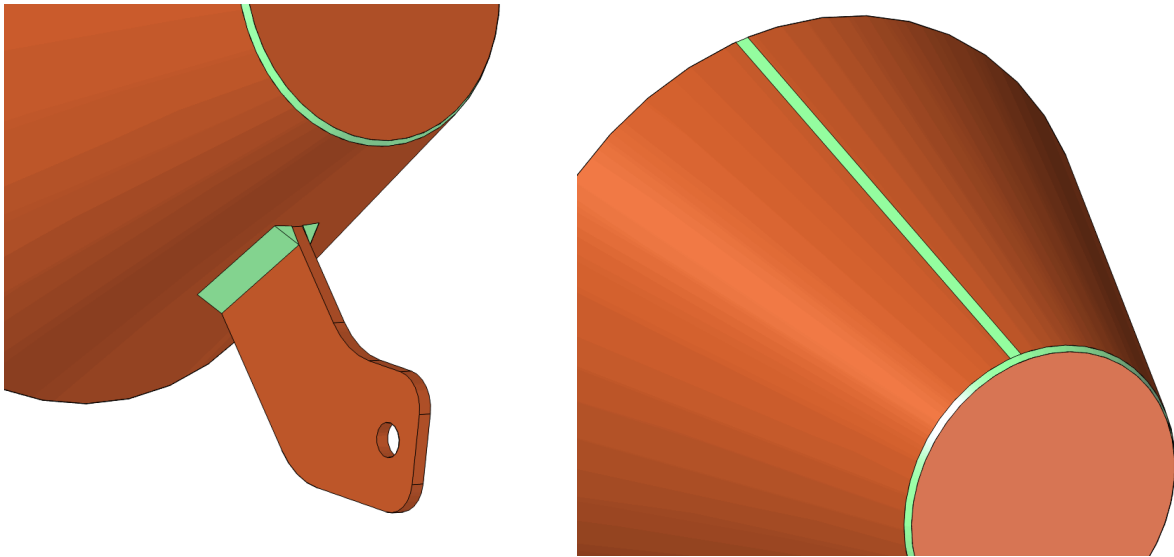
15.





16.





17.

