

H frame folding tabletop easel plan

An easel made by this plan has the option to regulate the inclination of the working surface during painting. The canvas top retainer can be moved along the mast, so this easel could hold canvas of the various dimensions.

This easel is suitable for small apartments and studios because it is folding, so it can be folded and put away when not in use. Besides that, while working with it, an easel is on the table, so it takes much less space than conventional easels, whose legs stand directly on the floor.

This is the H-frame type of easel, as it has a rectangular silhouette and a solid rectangular base.

Just like the Single mast tabletop easel, this easel can be also used as a portable display easel at home, in the office, trade shows or showrooms, and you can use it even as a display stand in the gallery, restaurant, for a catalogue of your products, etc.

Geometry of the parts is simple and the joints between them are made with dowels and round tenon and mortise woodworking joints. Easel is being assembled with glue. The parts need to be sanded before applying glue and the edges should be rounded.

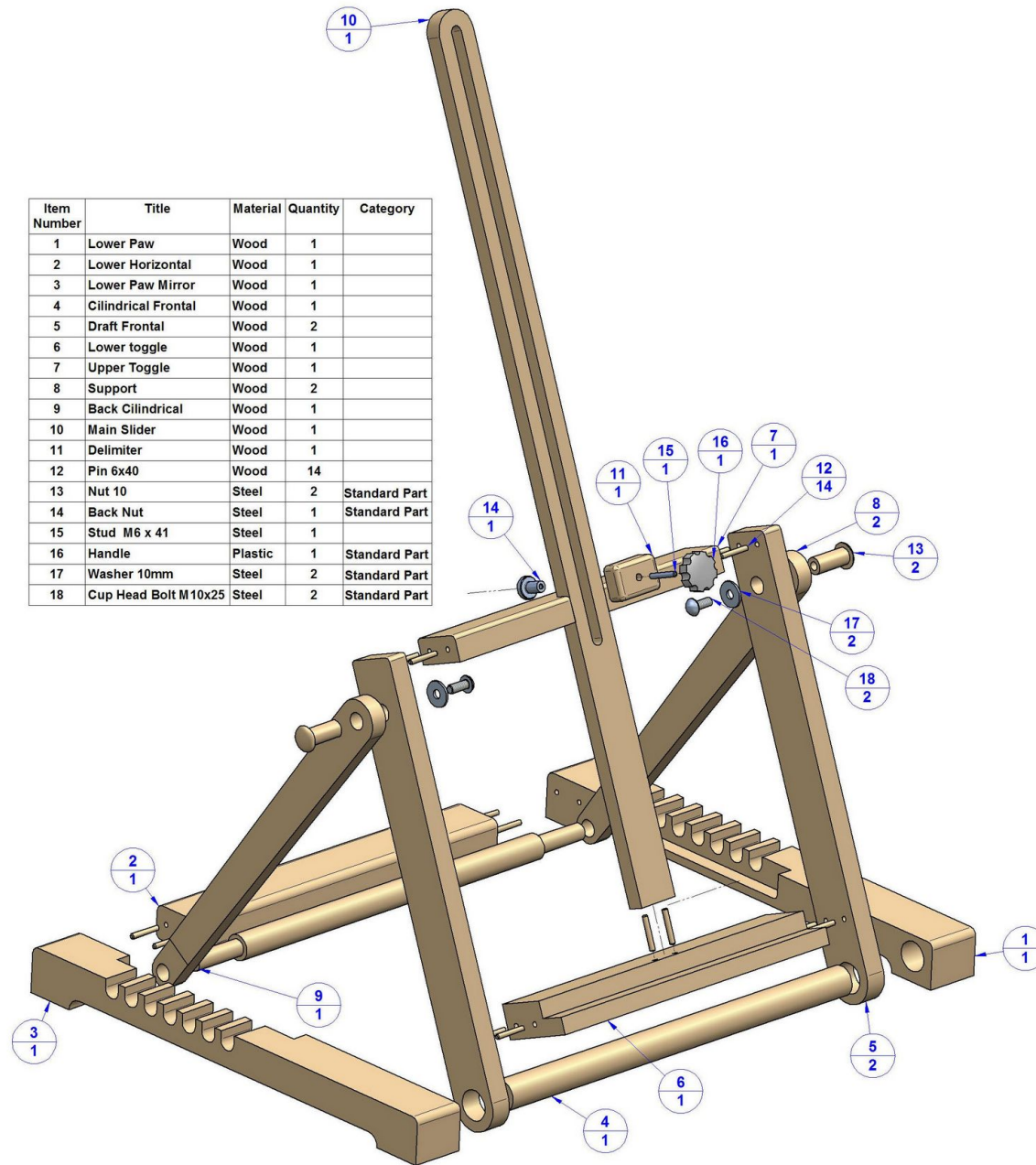
For making the easel parts we recommend using some local wood, that is easy to deal with and has a popular price and for the finish use the paint, wax or lacquer. If you plan to use the easel for painting or drawing, do not spend much of your time to select wood or the finish, because soon it will be stained by different colors. If you plan to use it as a display, then it would be good to select some wood with a beautiful texture, and the finish should highlight the beauty of the wood.



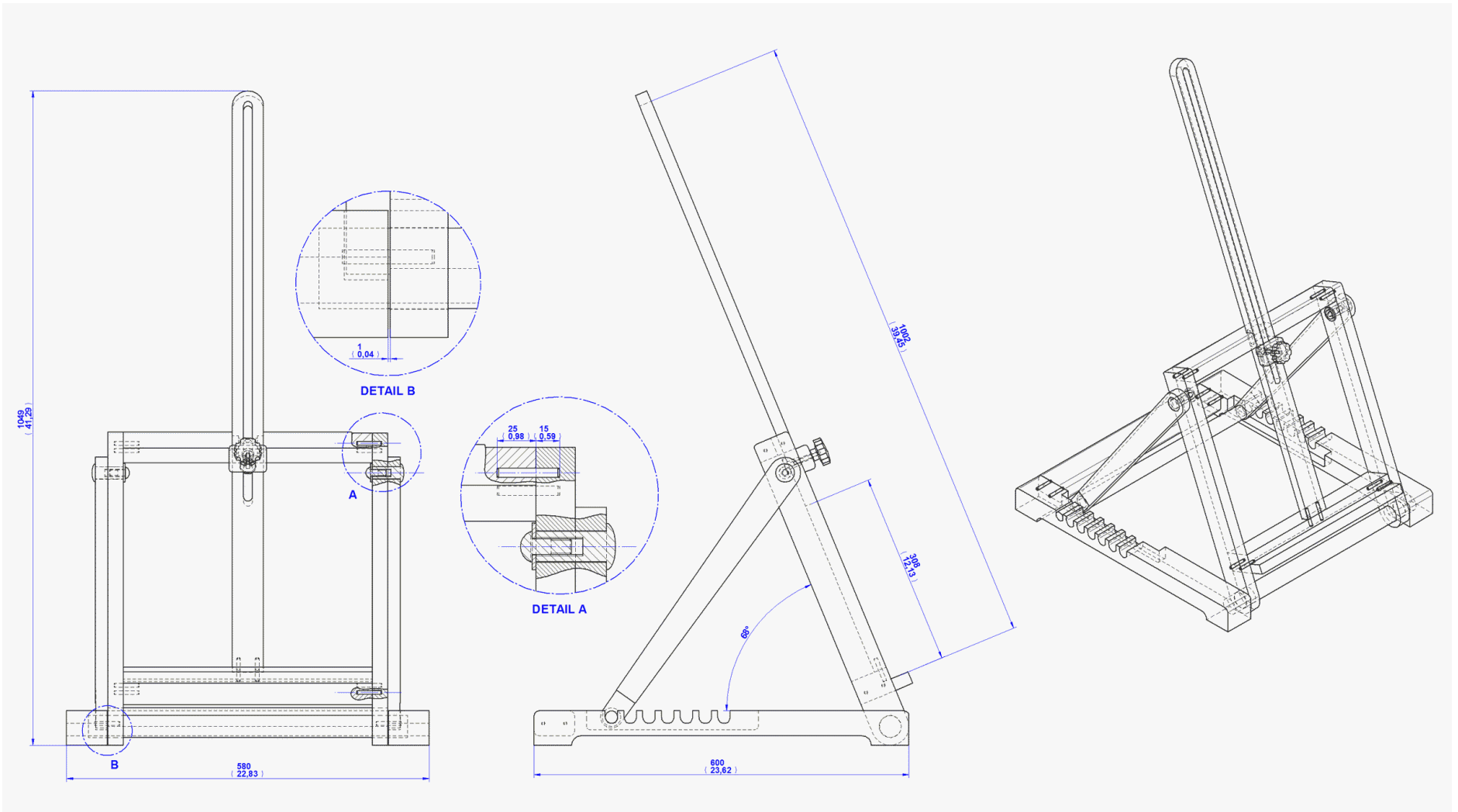
NOTE: The measurements within this text and 2D documentation are given both in millimeters and inches (in brackets).

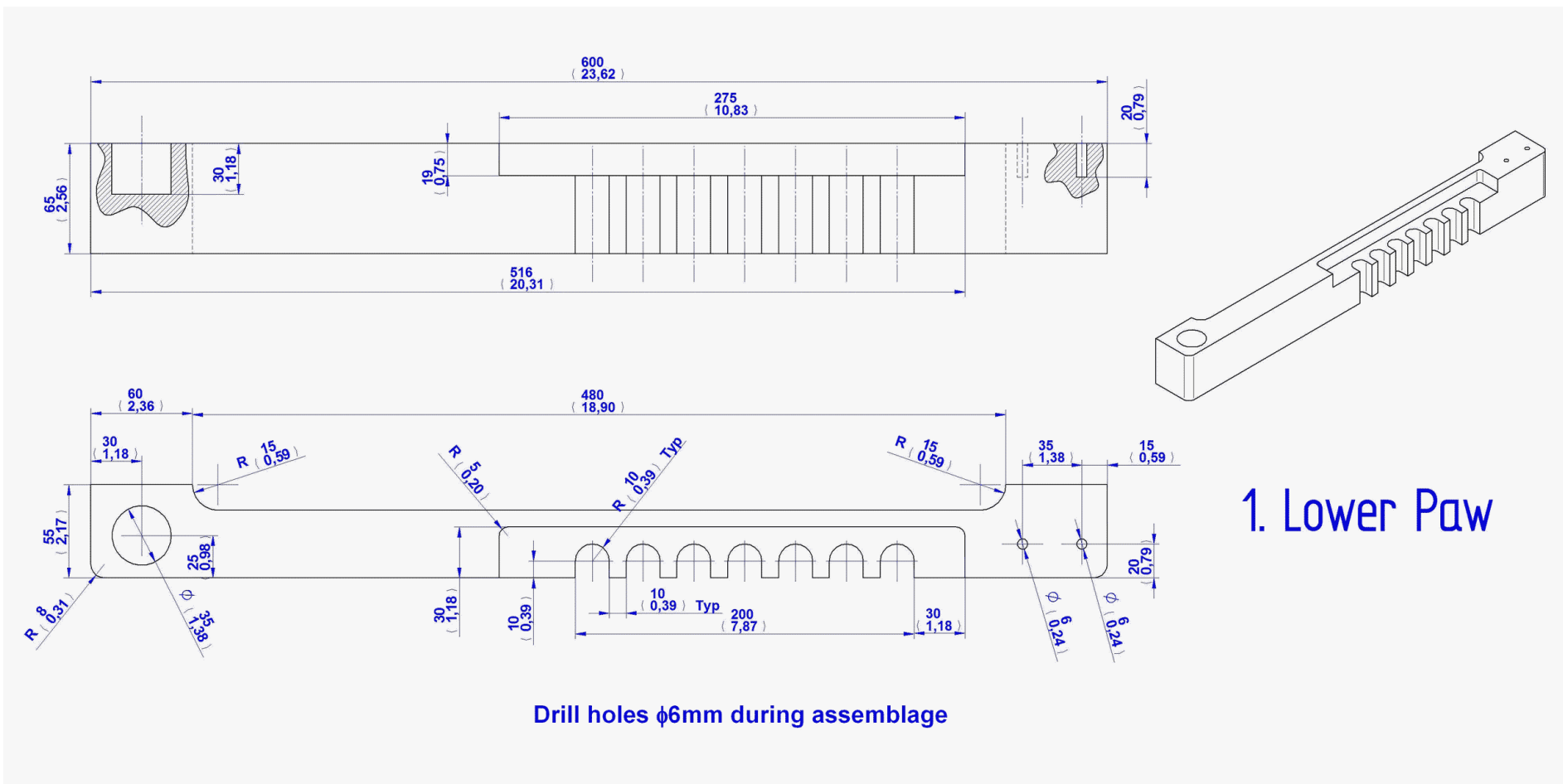
Parts List

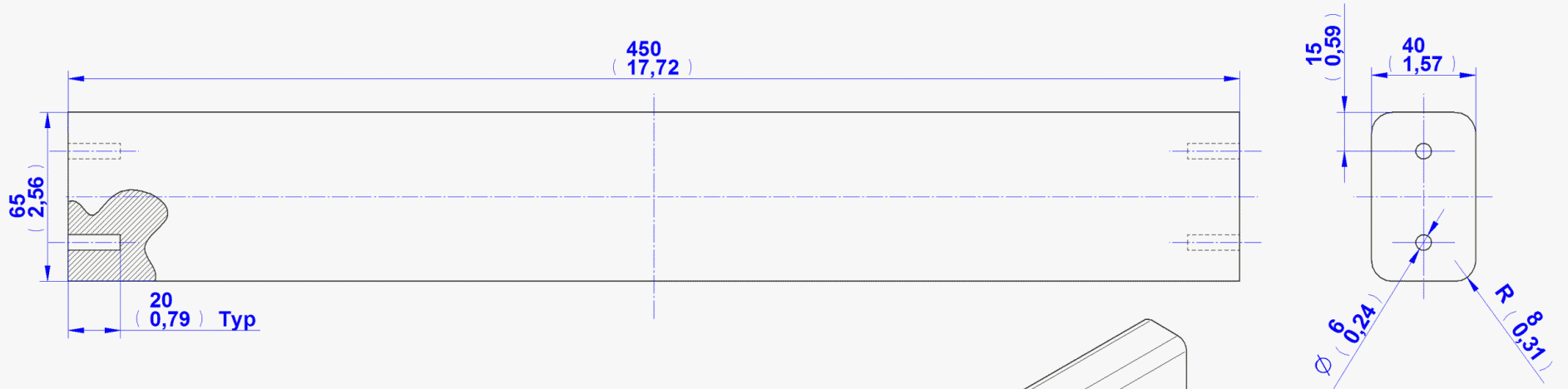
Item Number	Title	Material	Quantity	Category
1	Lower Paw	Wood	1	
2	Lower Horizontal	Wood	1	
3	Lower Paw Mirror	Wood	1	
4	Cilindrical Frontal	Wood	1	
5	Draft Frontal	Wood	2	
6	Lower toggle	Wood	1	
7	Upper Toggle	Wood	1	
8	Support	Wood	2	
9	Back Cilindrical	Wood	1	
10	Main Slider	Wood	1	
11	Delimiter	Wood	1	
12	Pin 6x40	Wood	14	
13	Nut 10	Steel	2	Standard Part
14	Back Nut	Steel	1	Standard Part
15	Stud M6 x 41	Steel	1	
16	Handle	Plastic	1	Standard Part
17	Washer 10mm	Steel	2	Standard Part
18	Cup Head Bolt M10x25	Steel	2	Standard Part



2D Documentation

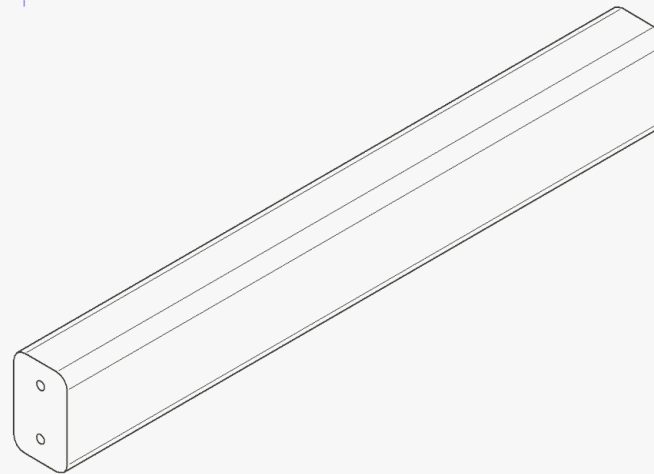


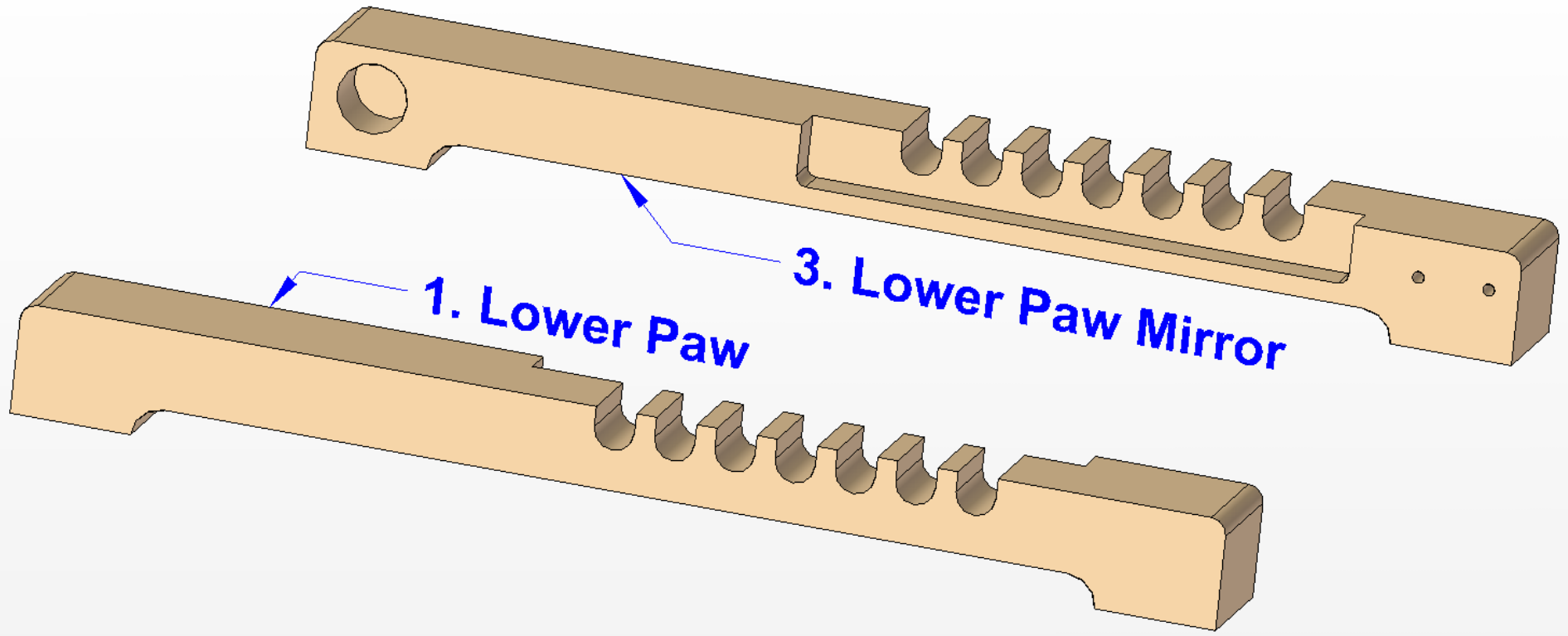


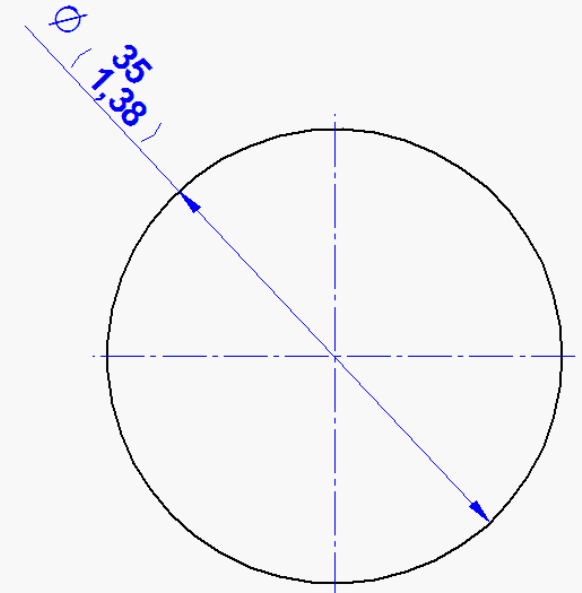
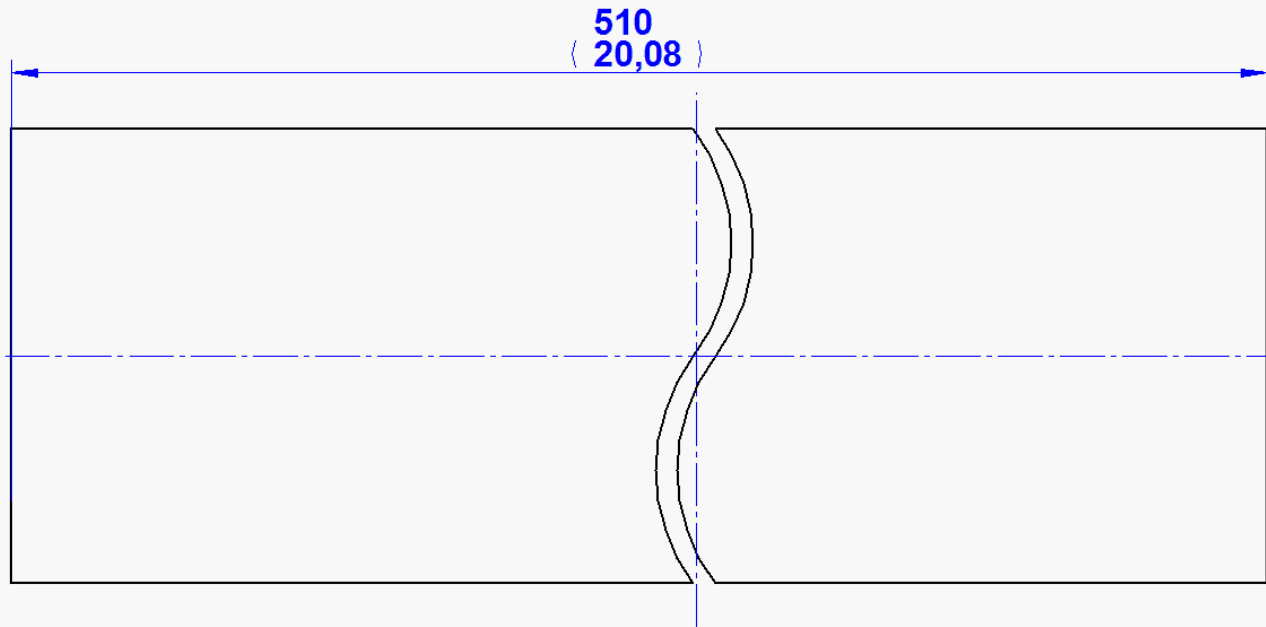


2. Lower Horizontal

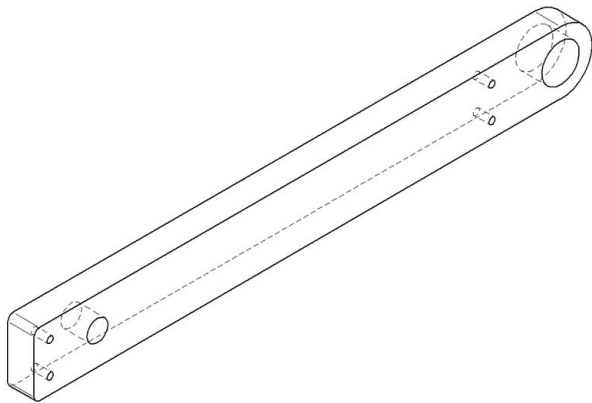
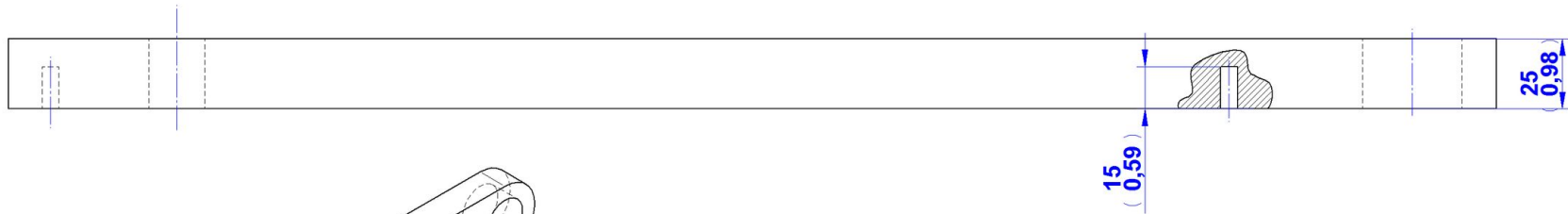
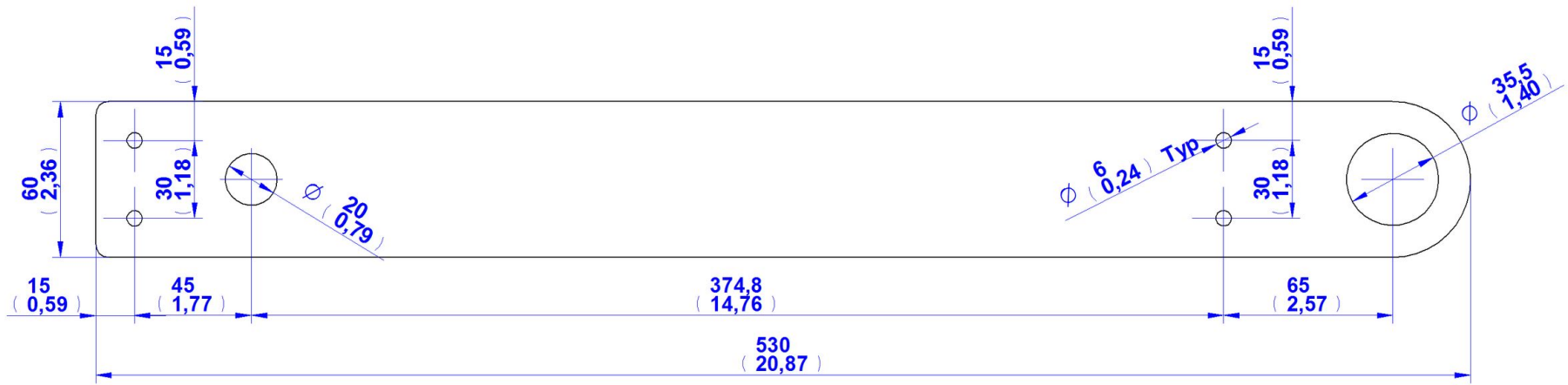
Drill holes during assemblage





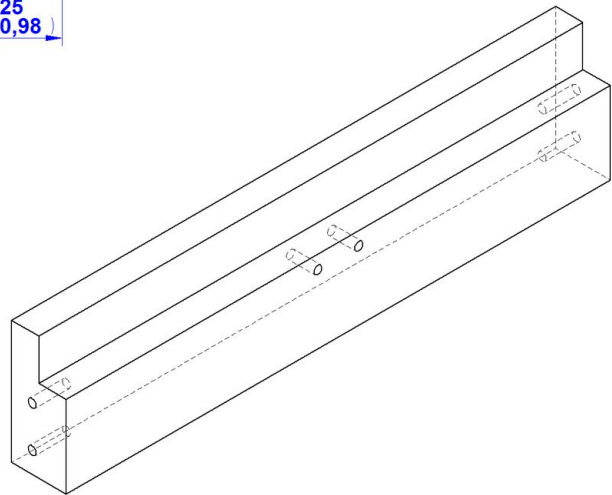
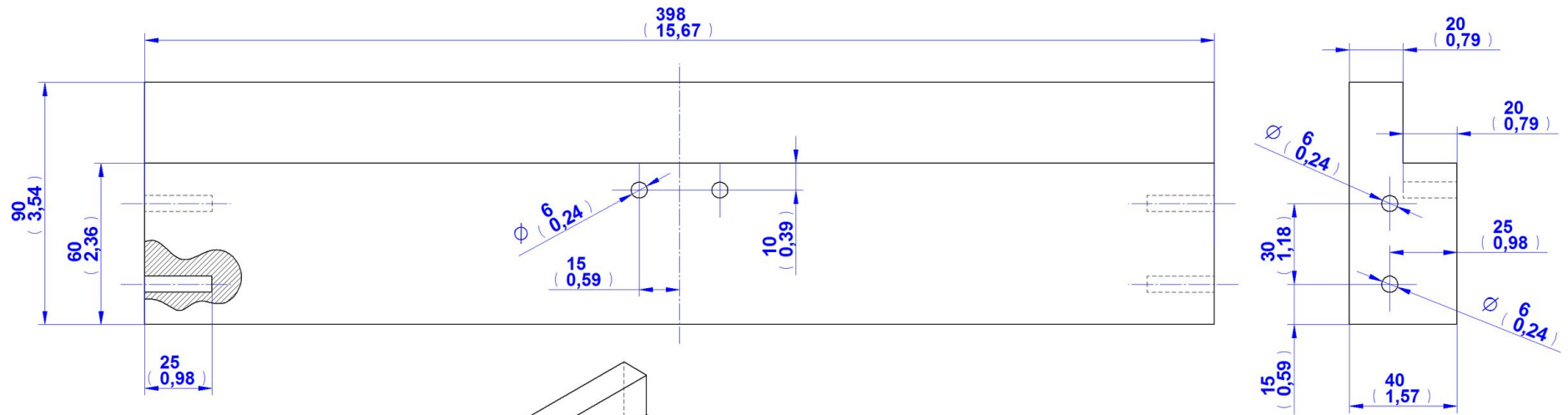


4. Cilindrica Frontal



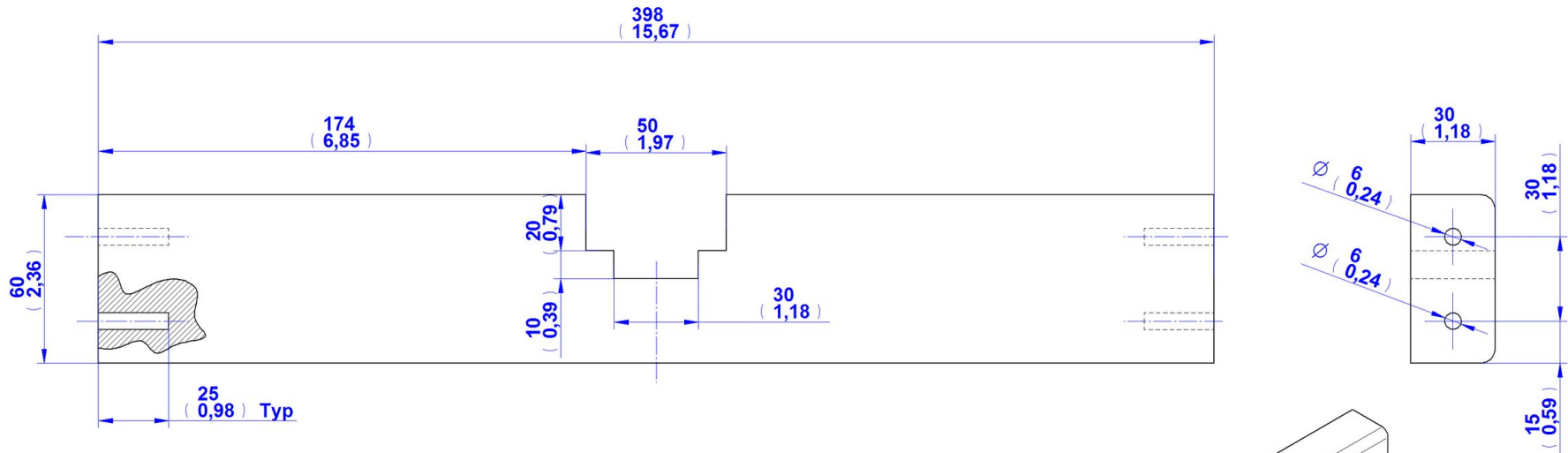
5. Draft Frontal

Drill holes during assemblage



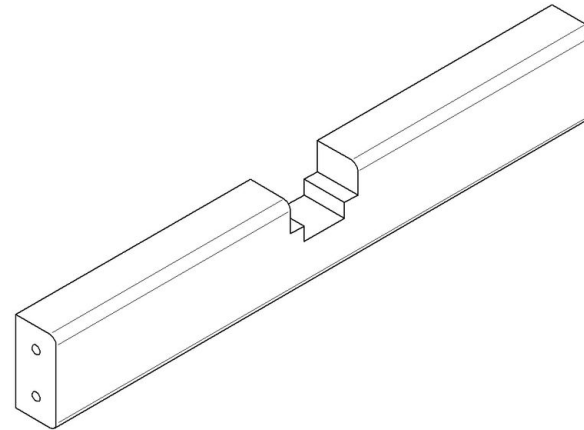
6. Lower Toggle

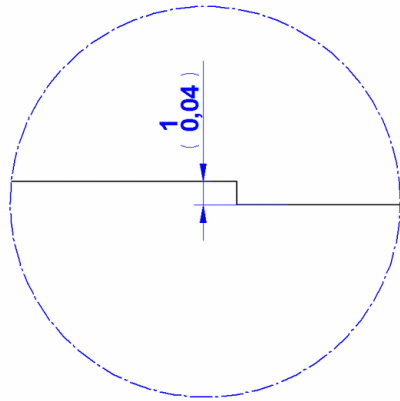
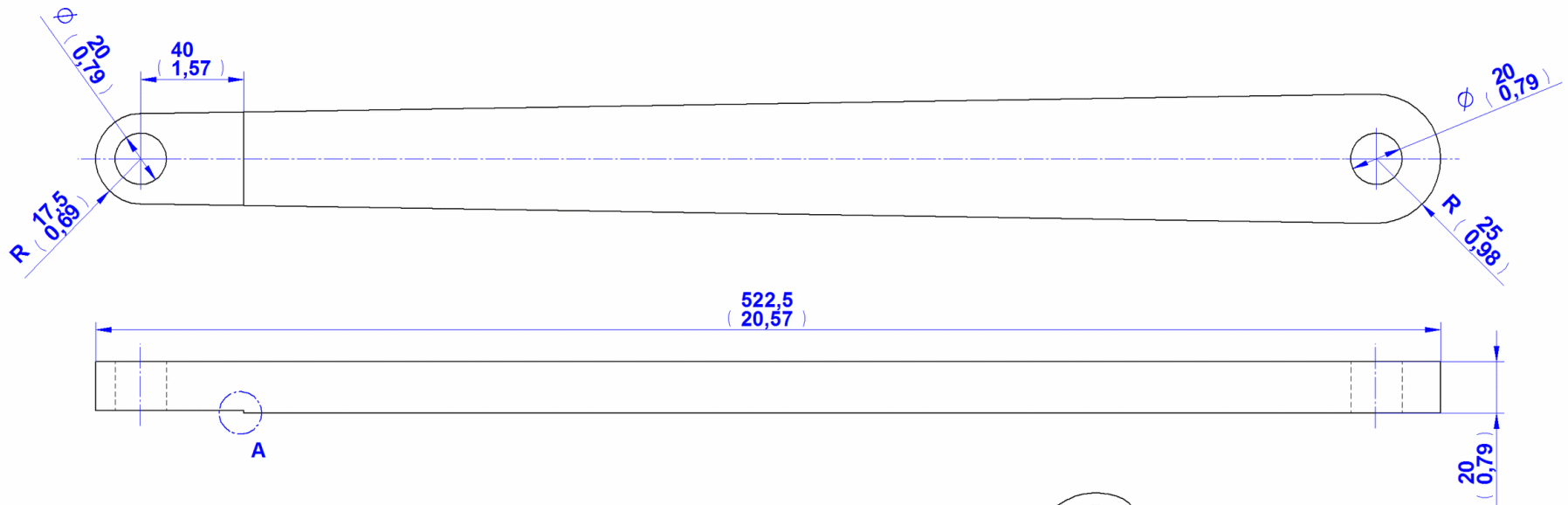
Drill holes during assemblage



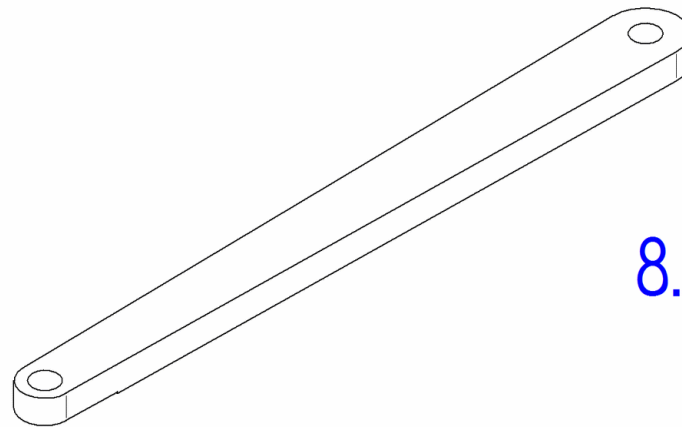
7. Upper Toggle

Drill holes during assemblage

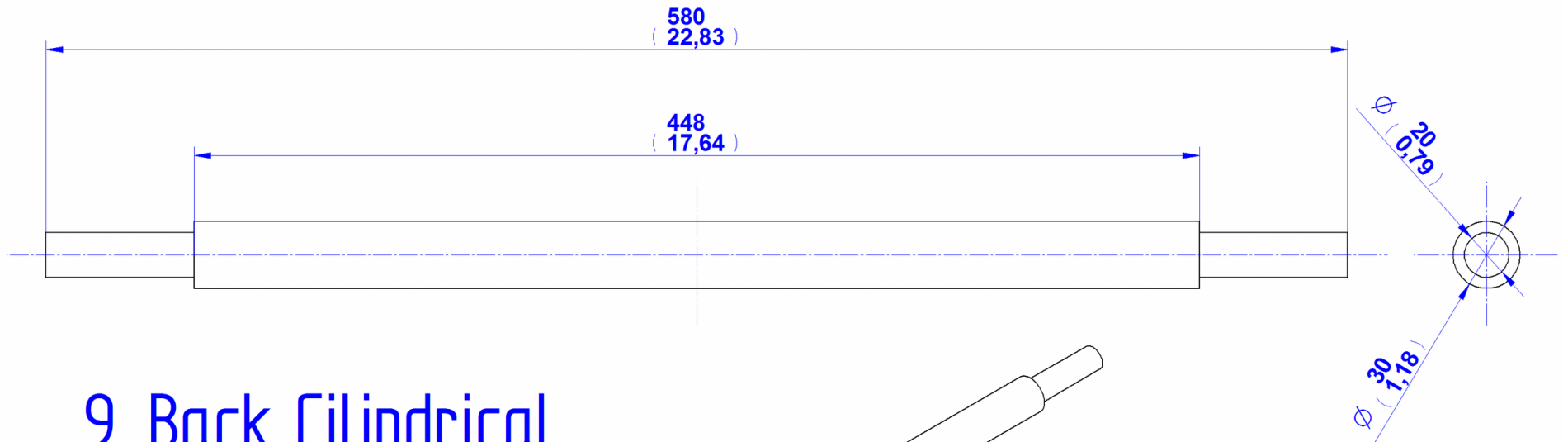




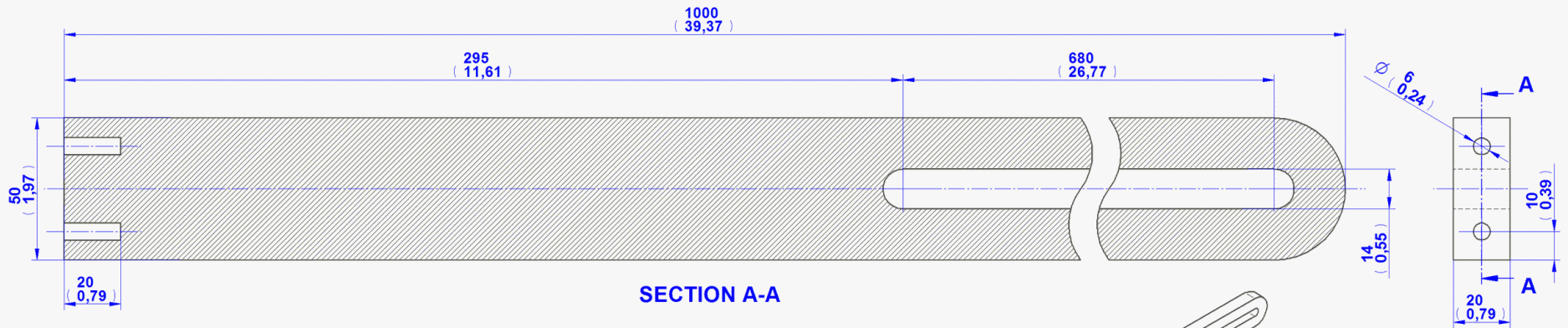
DETAIL A



8. Support

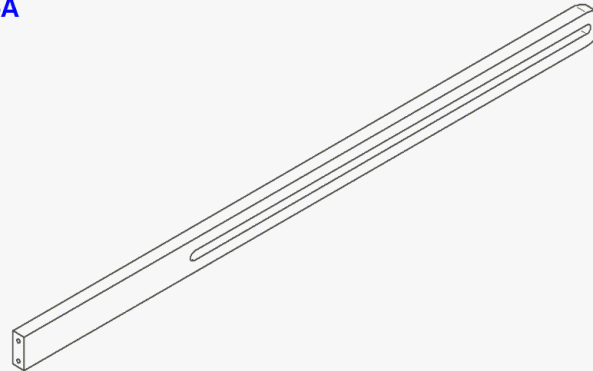


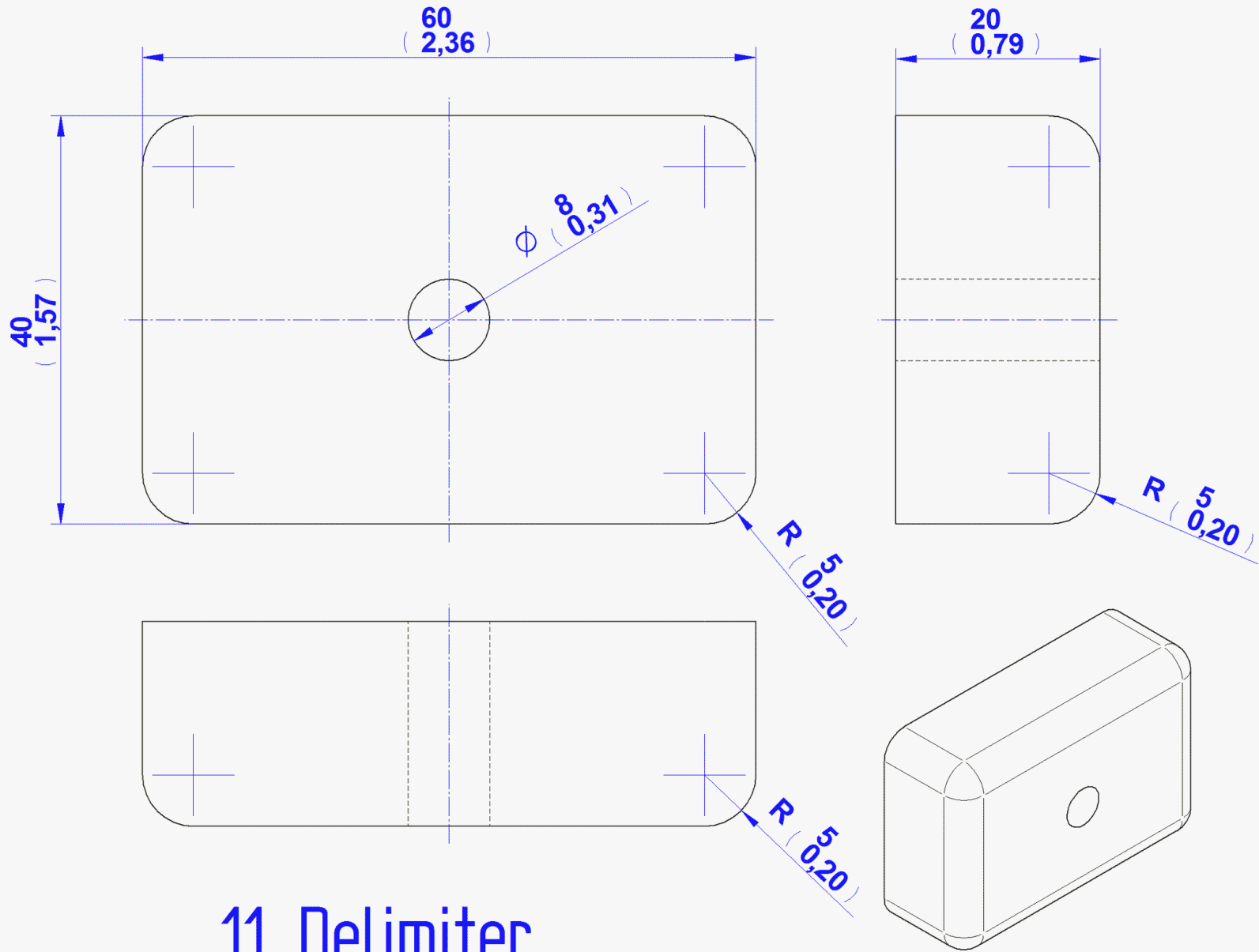
9. Back Cilindrical



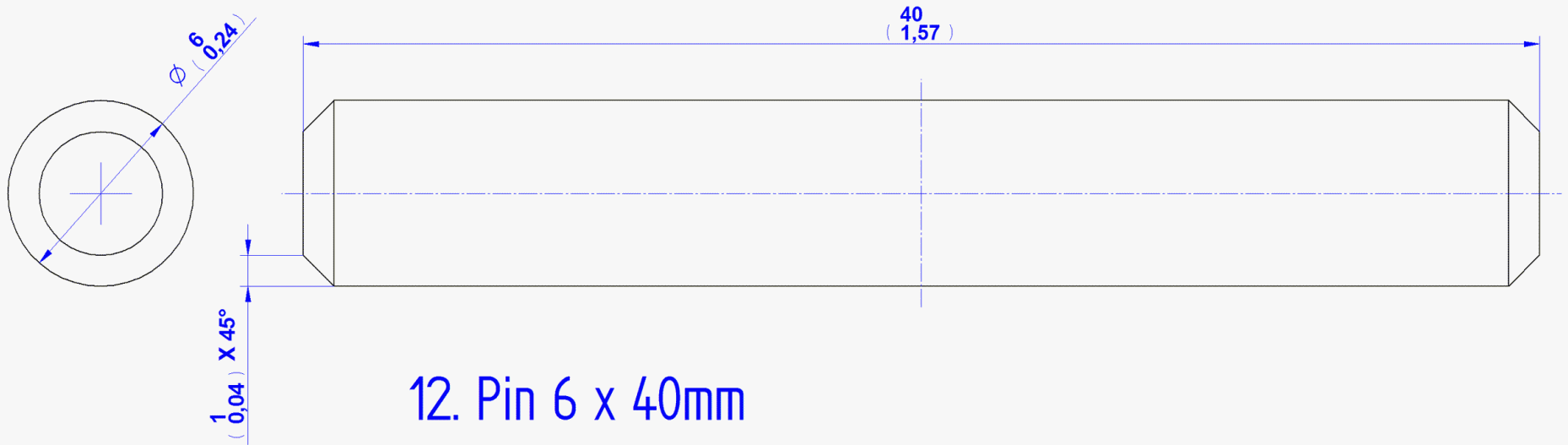
10. Main Slider

Drill holes during assemblage

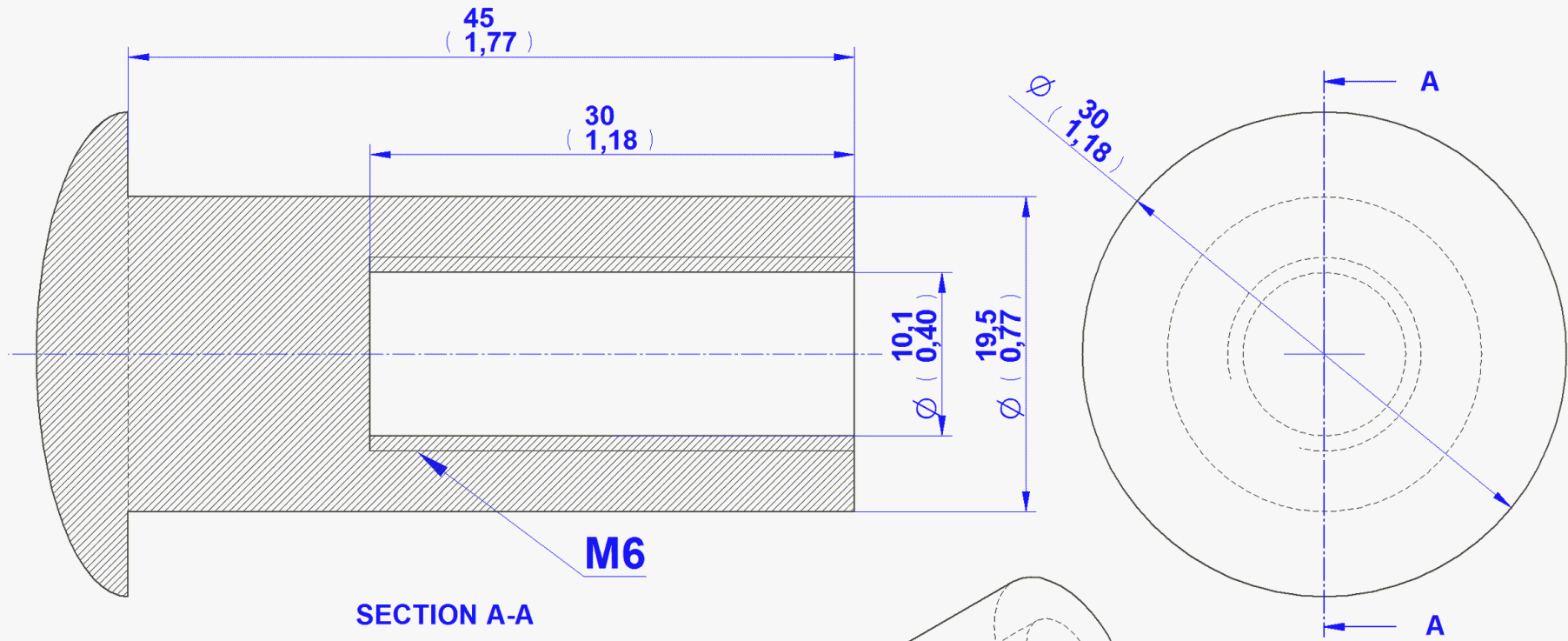




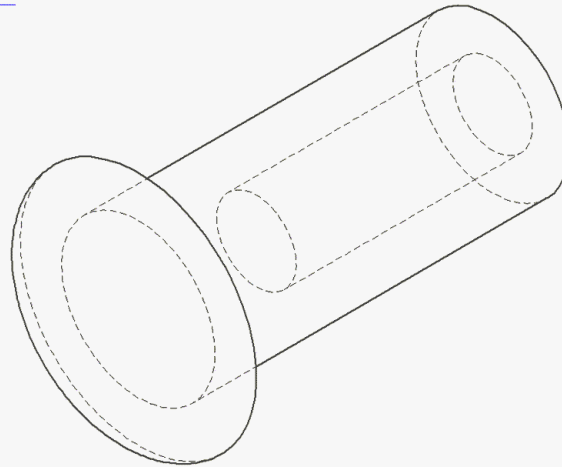
11. Delimiter

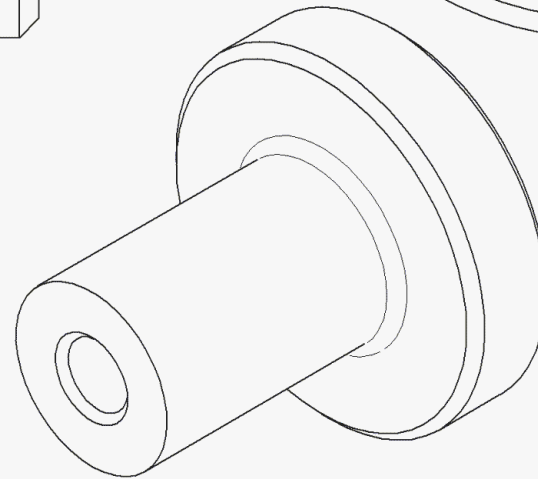
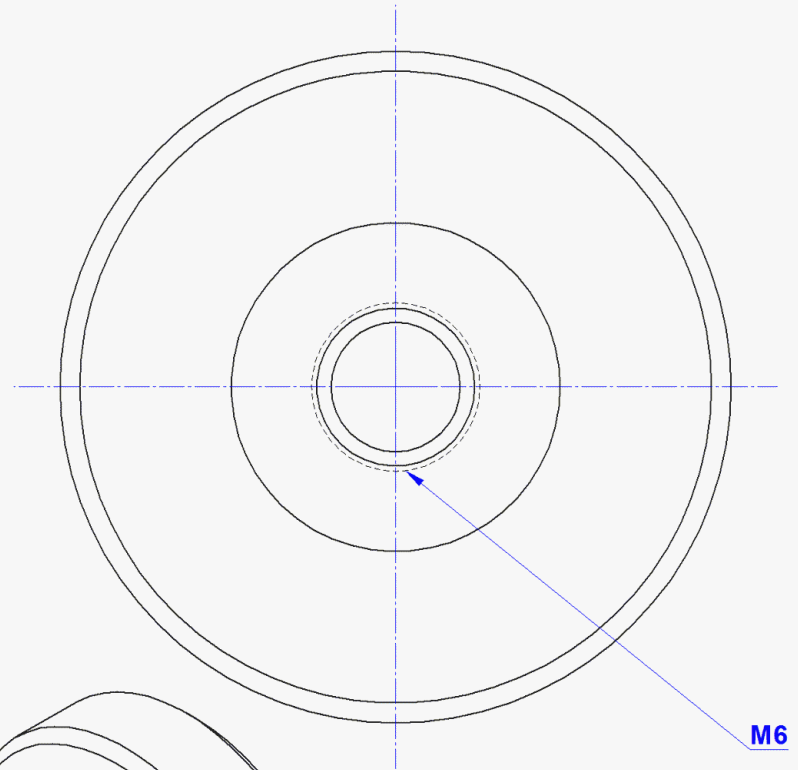
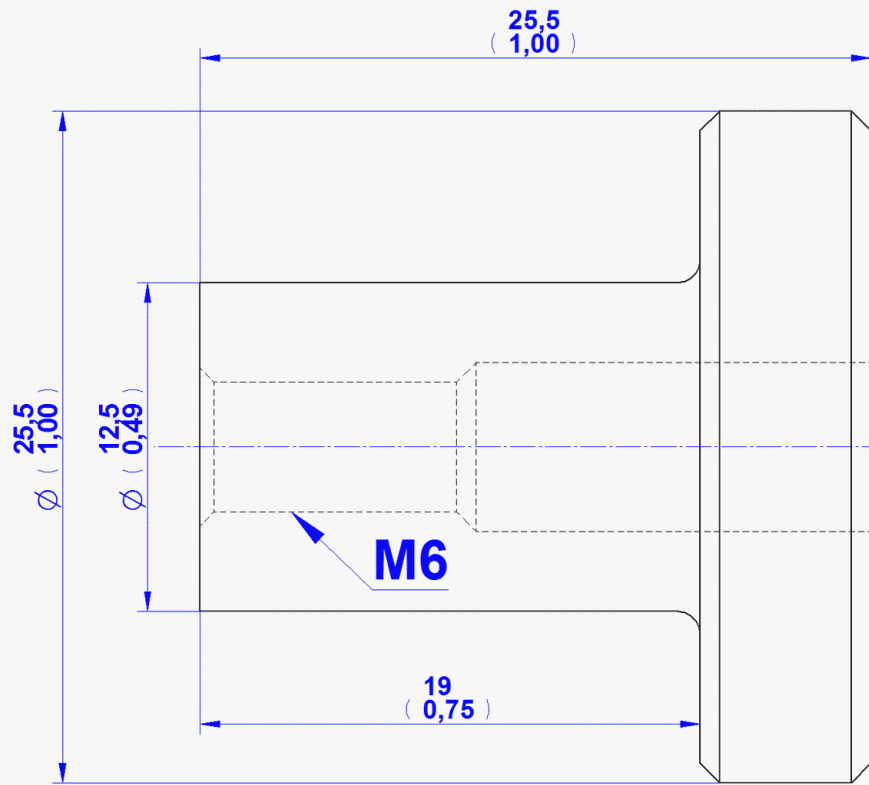


12. Pin 6 x 40mm

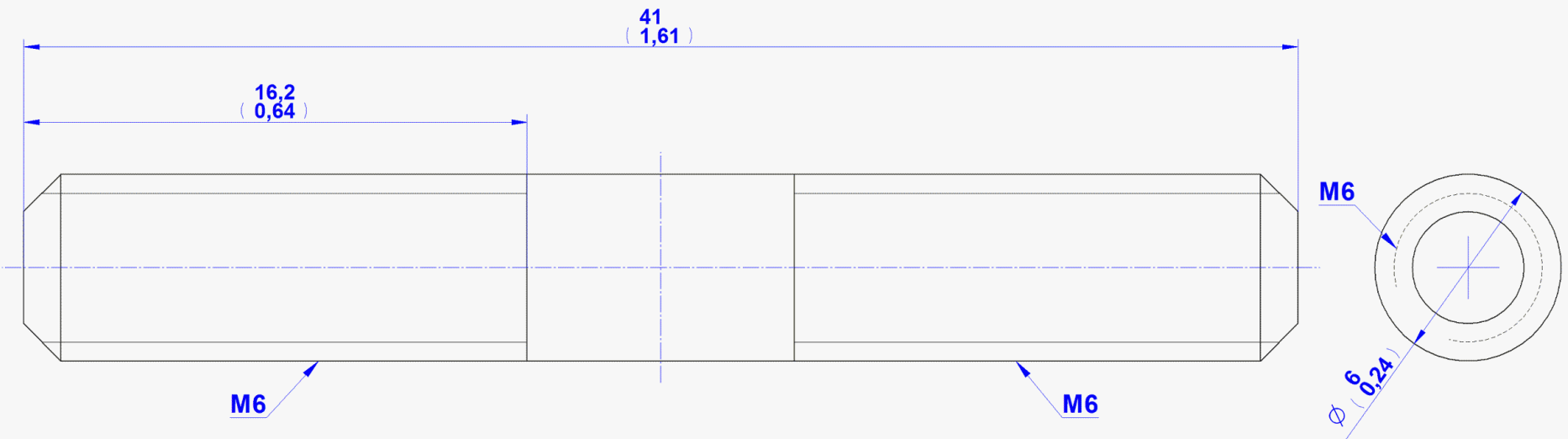


13. Nut 10



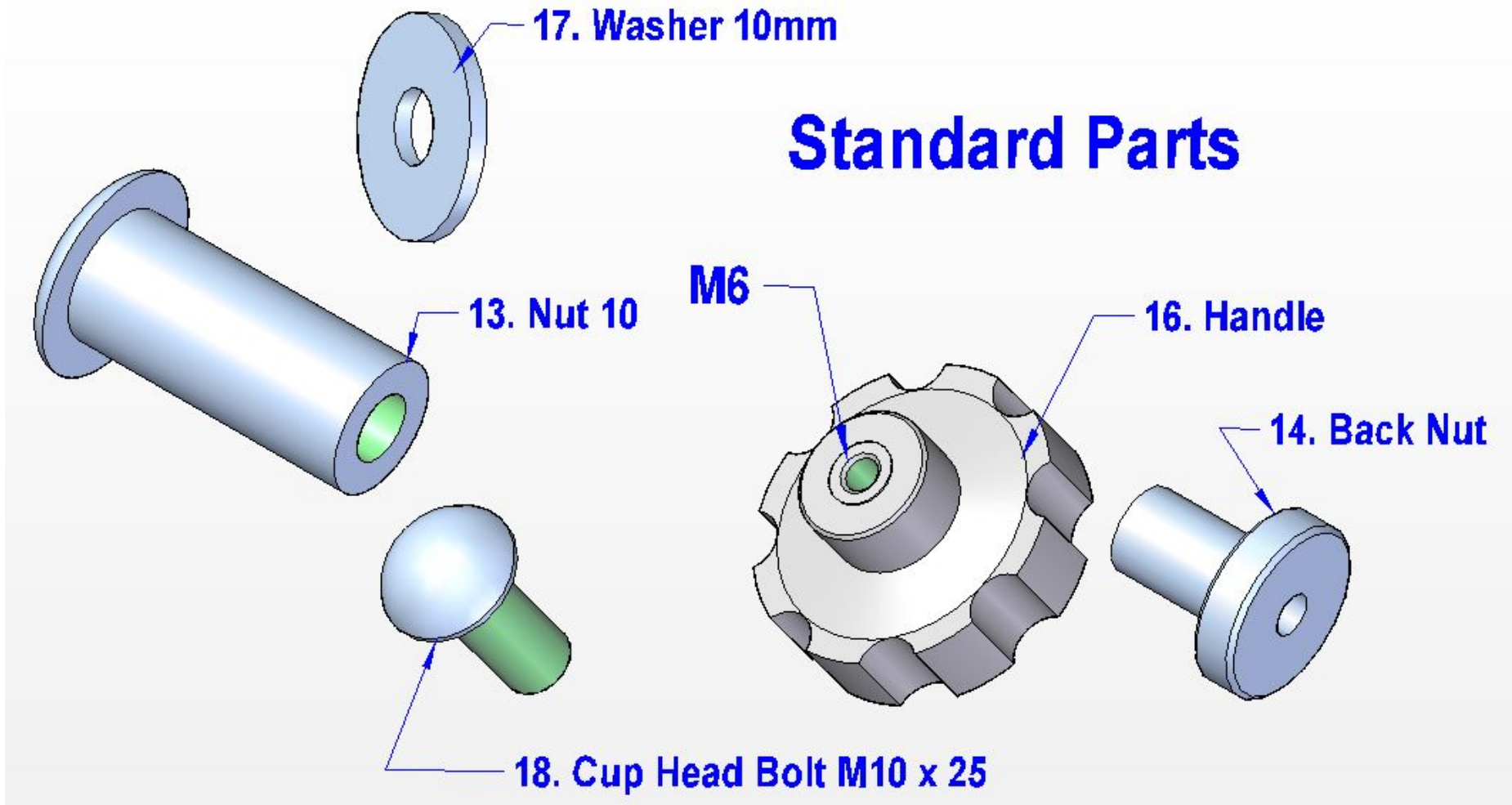


14. Back Nut



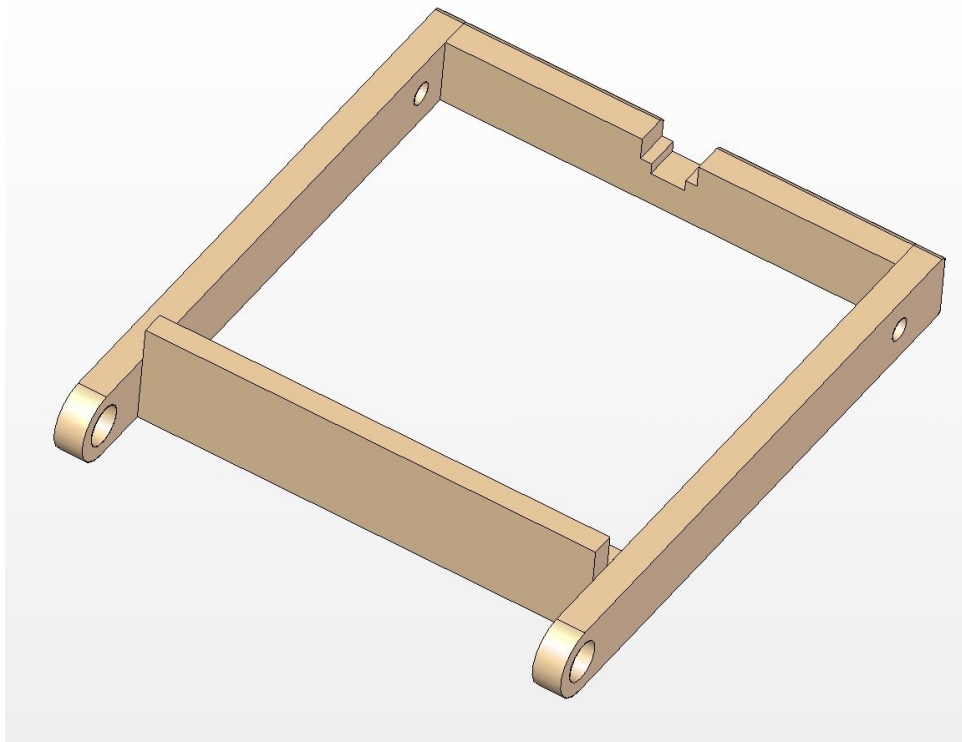
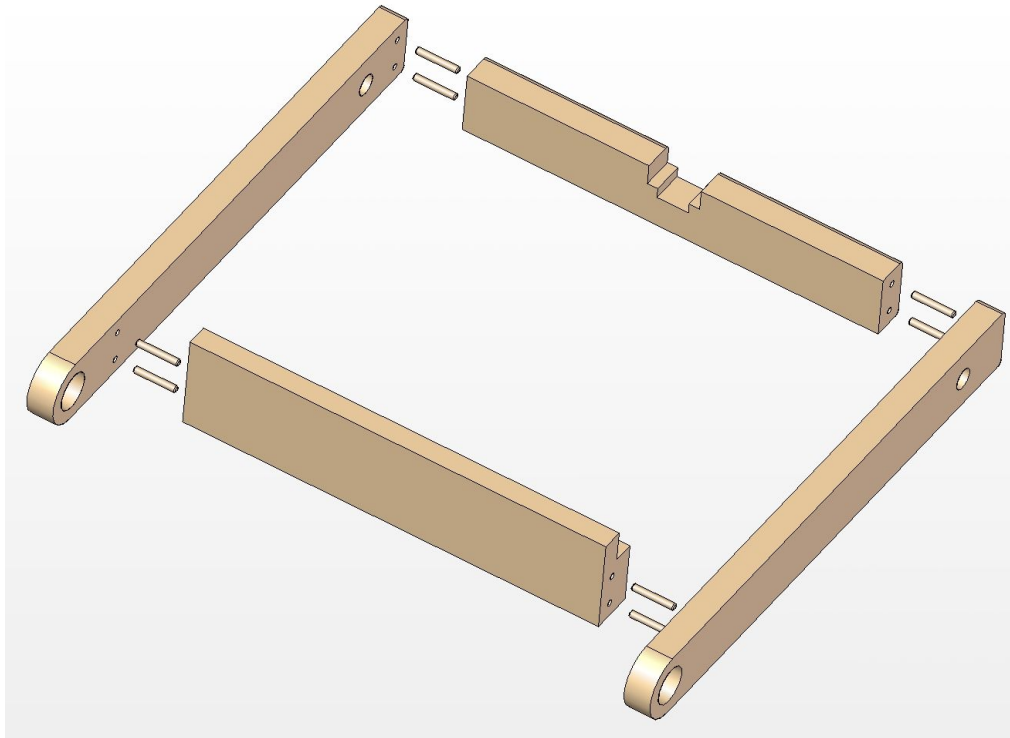
15. Stud M6 x 41mm

Standard Parts

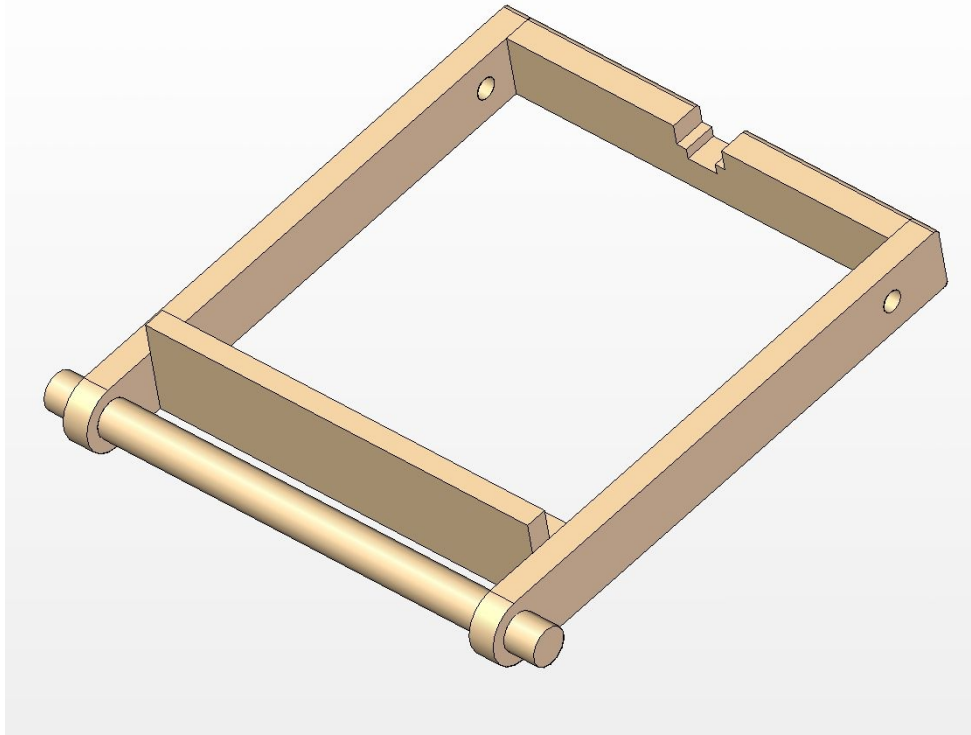


Assemblage images

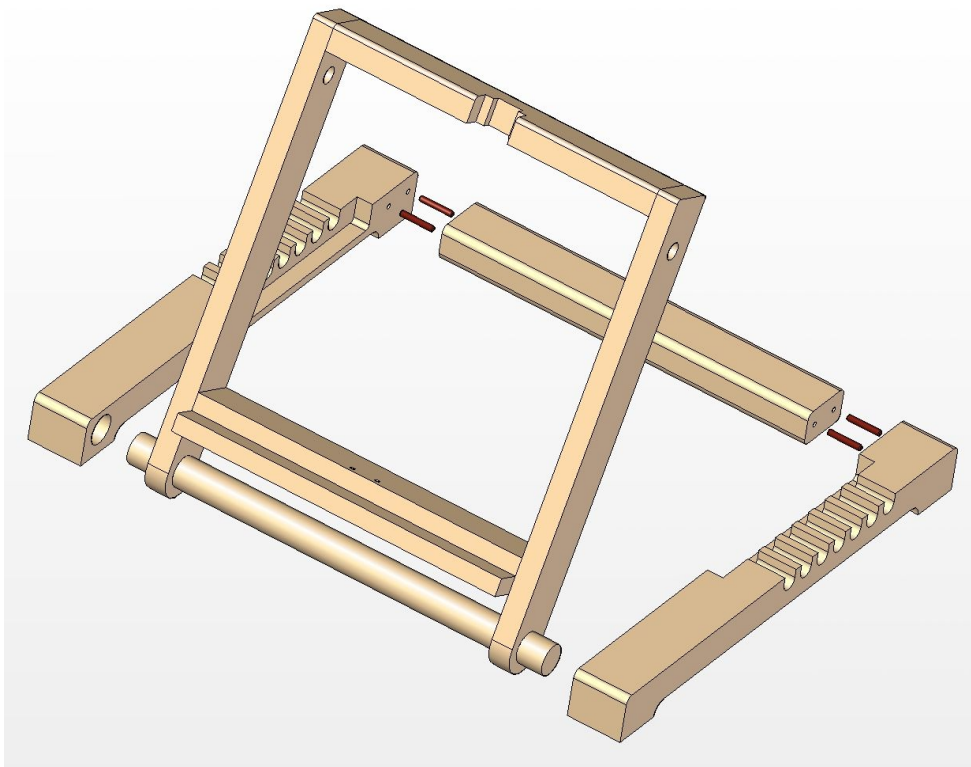
1.

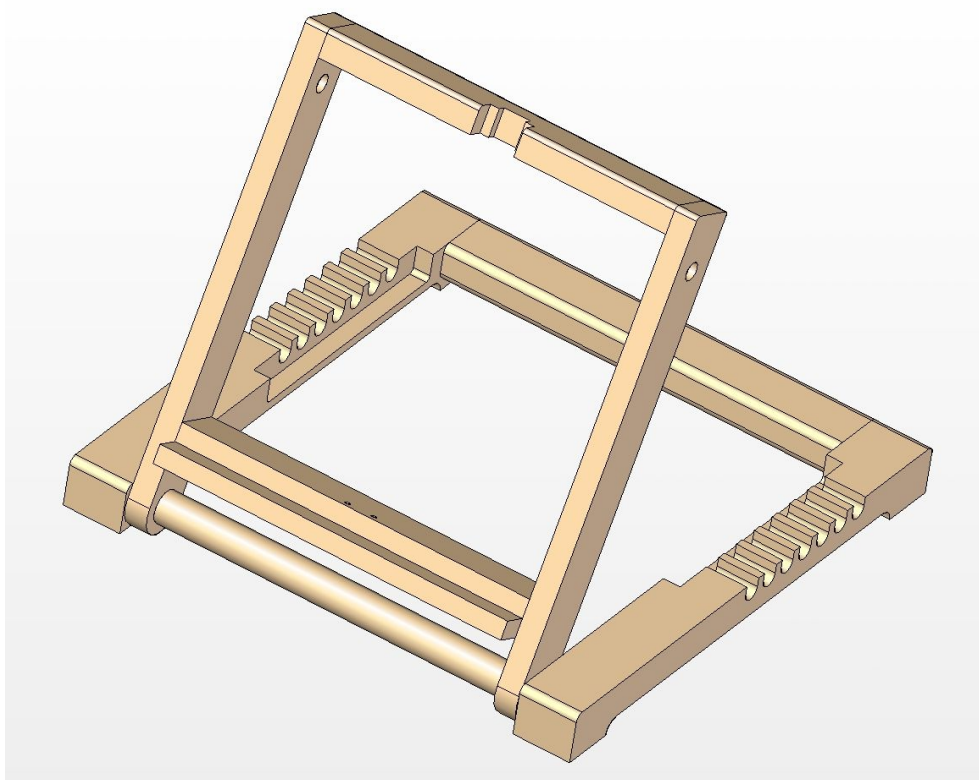


2.

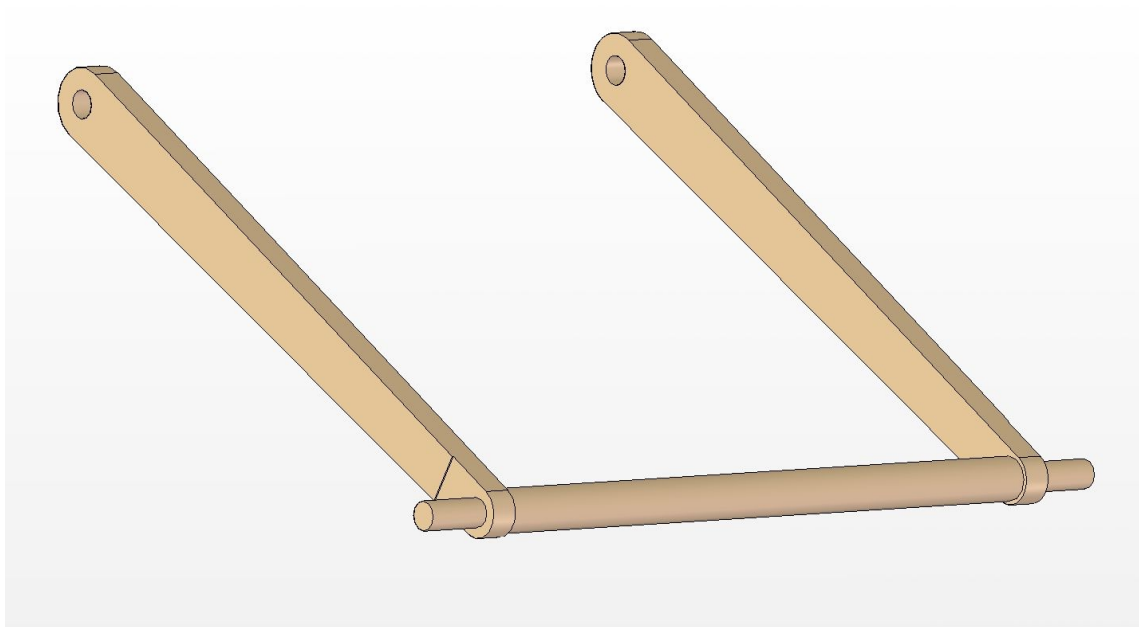


3.

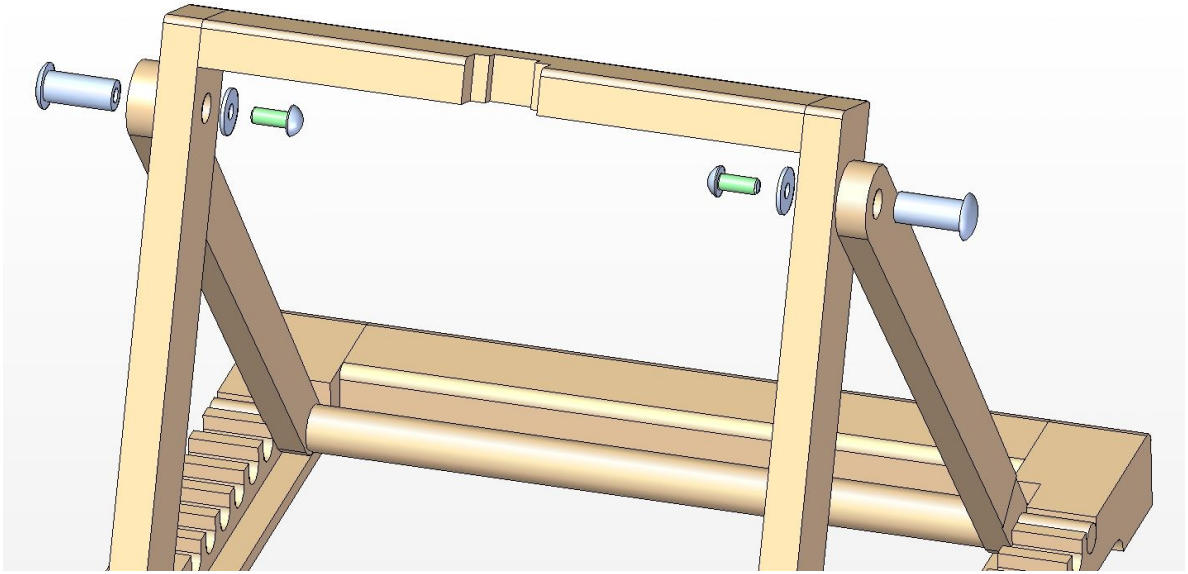




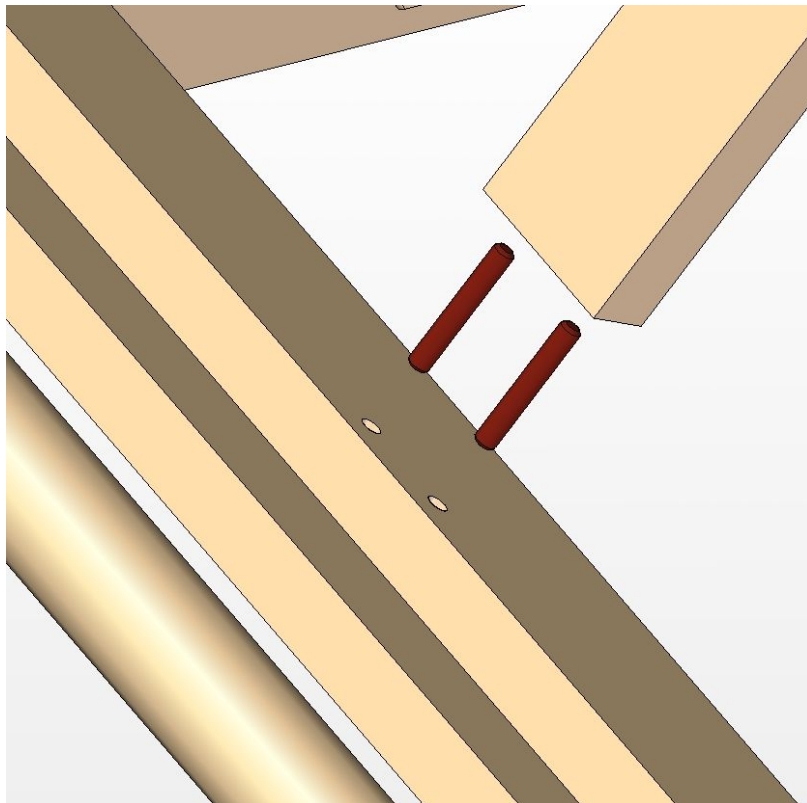
4.

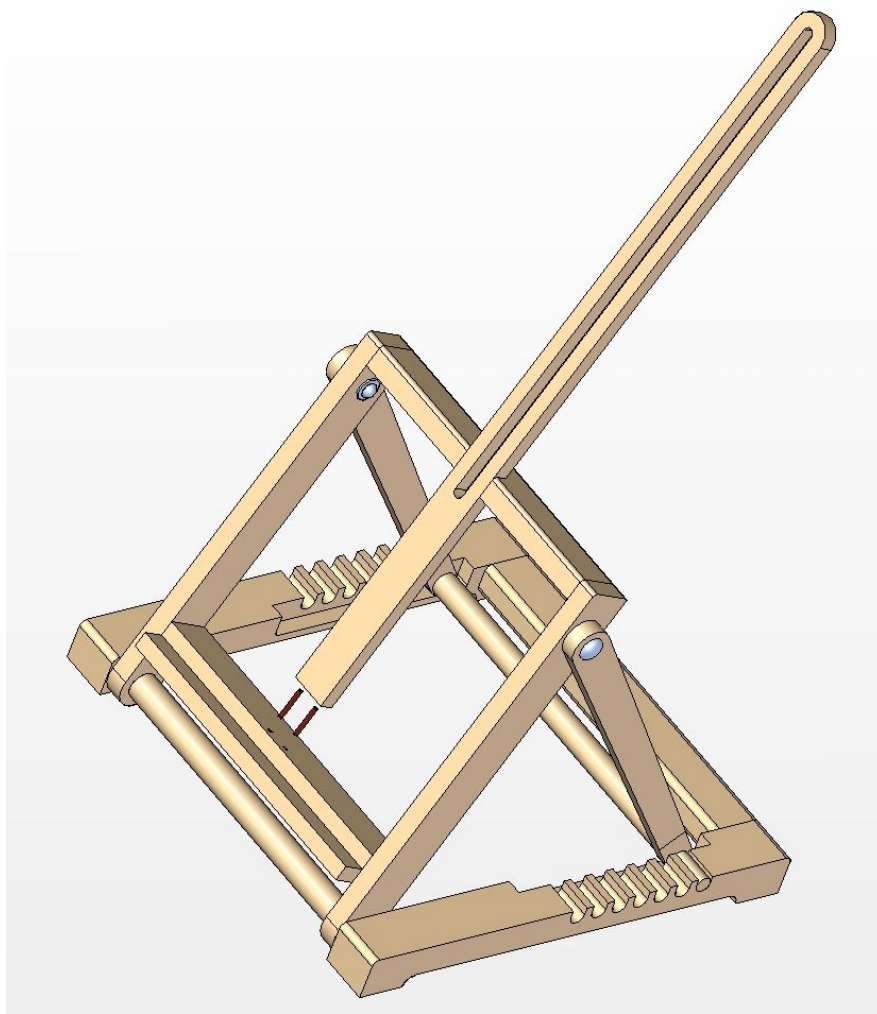


5.



6.





7.

