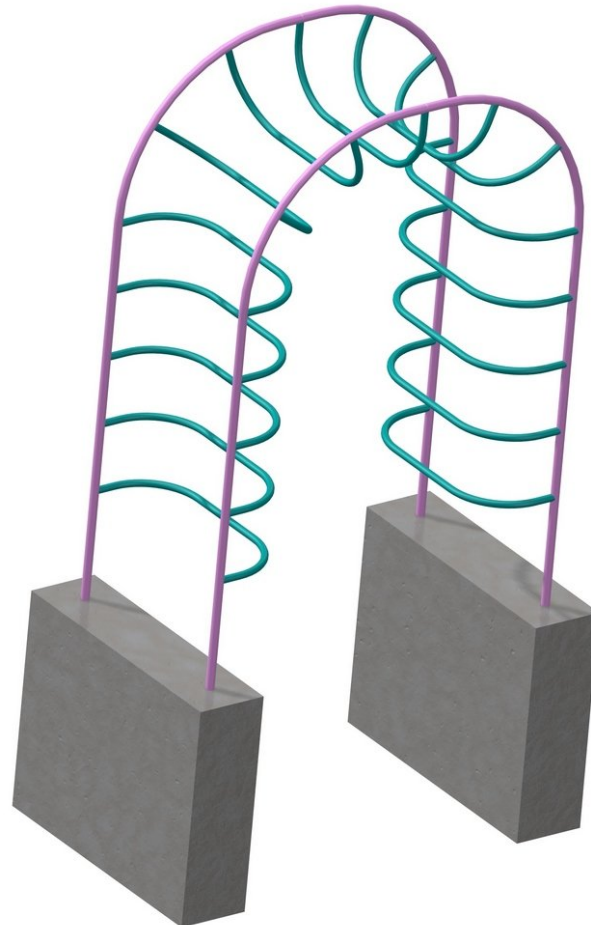


Measuring worm - Playground equipment plan



Here you can download a plan for the making of a piece of playground equipment that we have called the 'measuring worm'. This is due to the fact that it looks like a measuring worm while moving. Basically, it is about an inverted U-shape, but we wanted its name to sound more interesting to children.

The device is very simple, consisting of two side rails of an inverted U-shape, between which there are 15 rungs welded at regular distances from each other. Basically, this is a variant of a very popular playground equipment element called the 'ladder climber'. The rungs are curved to give little specificity to this device. The parts are easily made by bending, for which you need a tape measure, angle grinder and tube bender. All parts are joined by welding, and the whole structure is installed using an in-ground mounting system. We recommend that you protect the structure from rust with some kind of primer paint and then paint it with a metal paint you like. Install the structure in the shade to prevent it from overheating and becoming unusable in the summer sun.

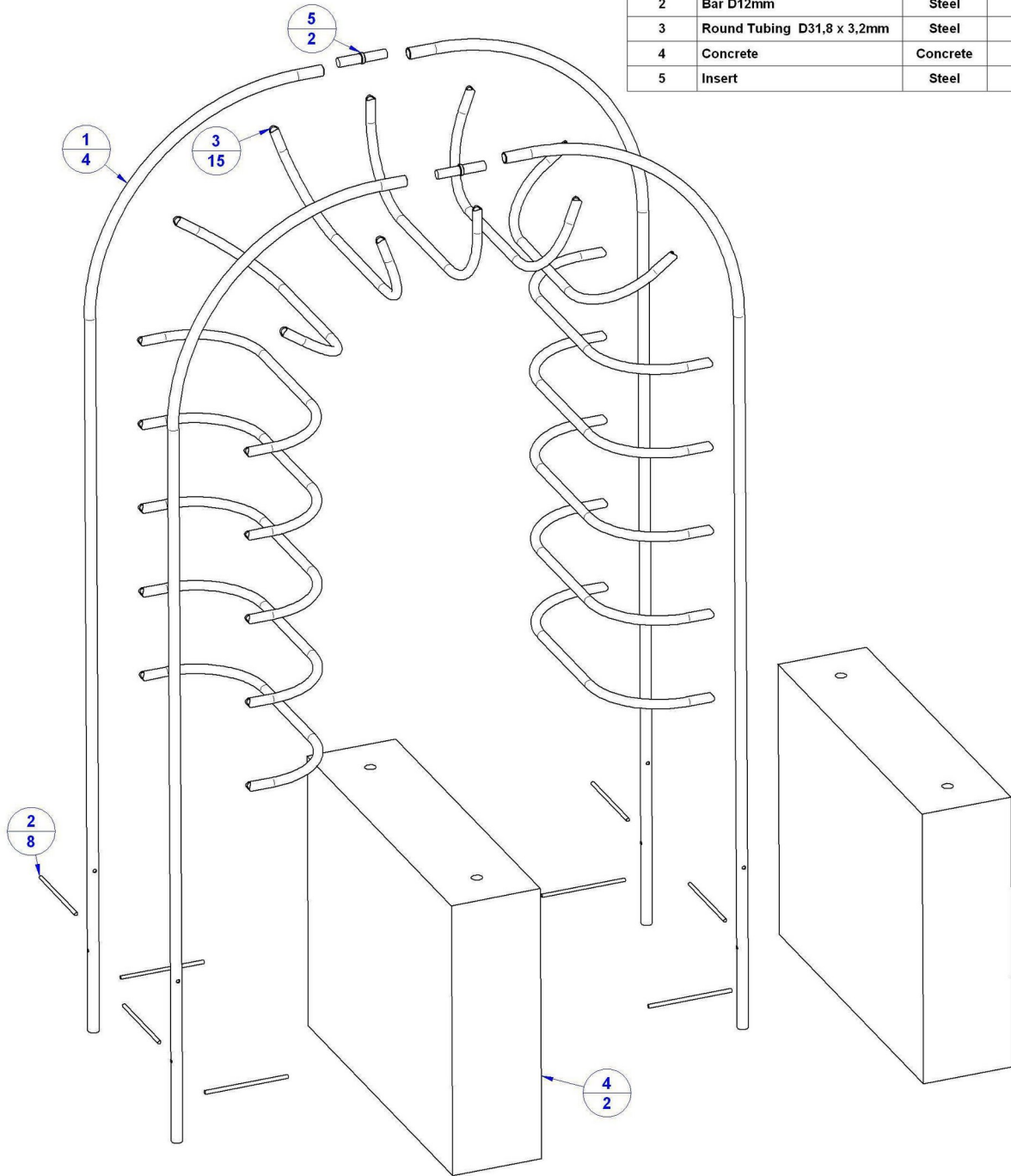
Like all ladder climbers, this one, too, is meant for:

- strengthening various muscles in children,
- developing movement coordination,
- attracting children to play outside with other children.

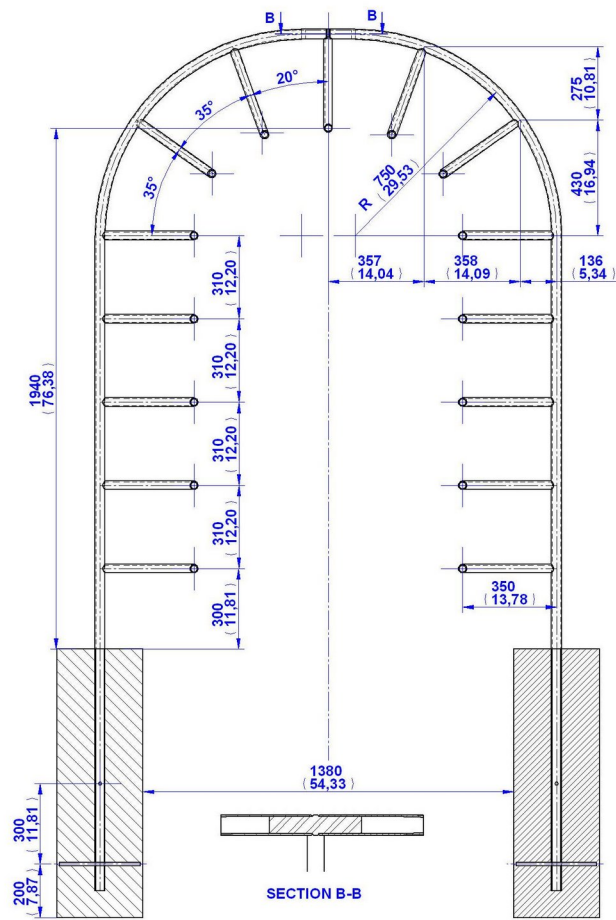
Kids really love this kind of playground equipment; not only are they able to play with it for hours, but they usually continue to 'hang out' in the playground long after their game is over, by sitting on equipment pieces and talking to each other or just running around them. The making of such playground equipment is easy and fast, and if there are not enough well-equipped playgrounds where you live, you may team up with your neighbors and, quite inexpensively and quickly, make and install some of the most common elements. It is enough for one of you to have some welding experience, while everything else can be done by those who do not even have a basic knowledge of metalworking.

Measuring Worm parts list

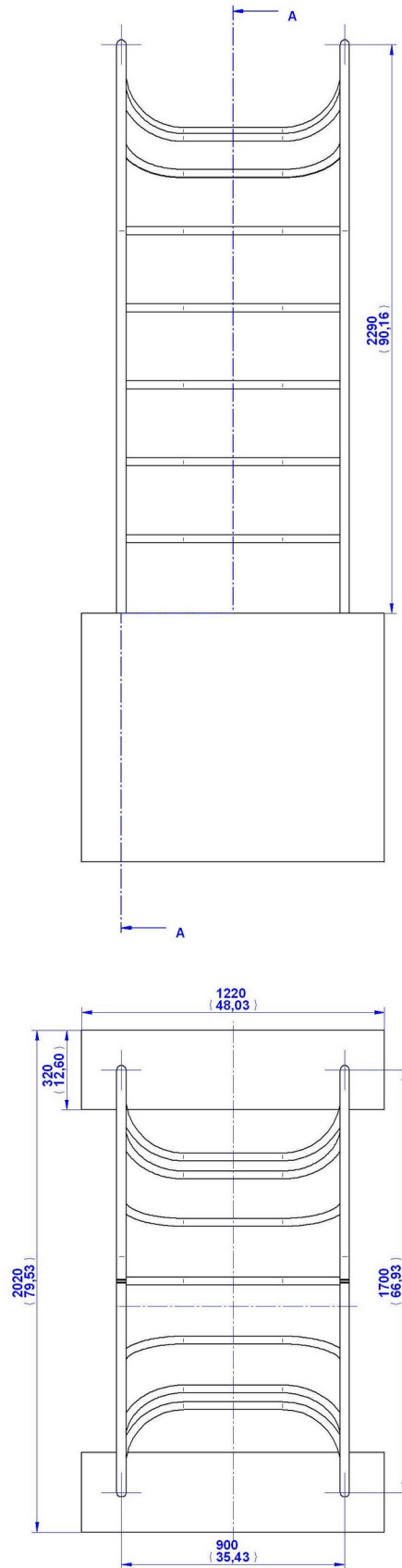
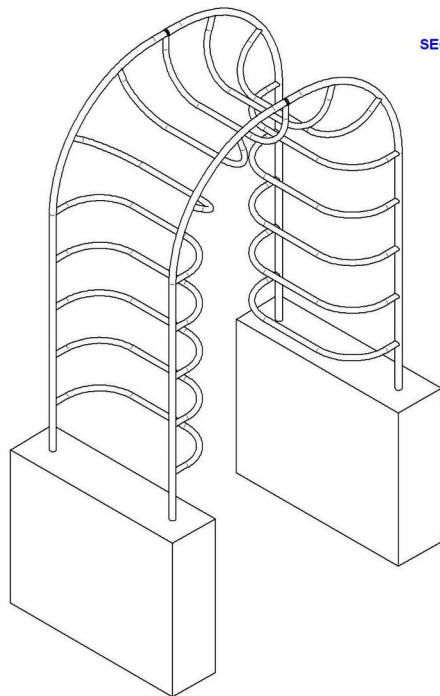
Item Number	Title	Material	Quantity	Cut Length
1	Round Tubing D38x3.2mm	Steel	4	3712.10 mm
2	Bar D12mm	Steel	8	
3	Round Tubing D31,8 x 3,2mm	Steel	15	1386,00mm
4	Concrete	Concrete	2	
5	Insert	Steel	2	

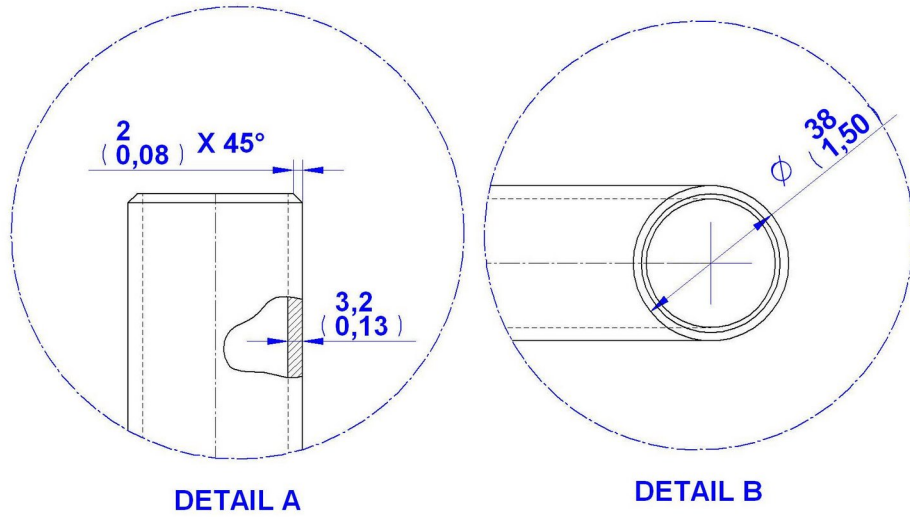


Measuring Worm 2D assembly drawing

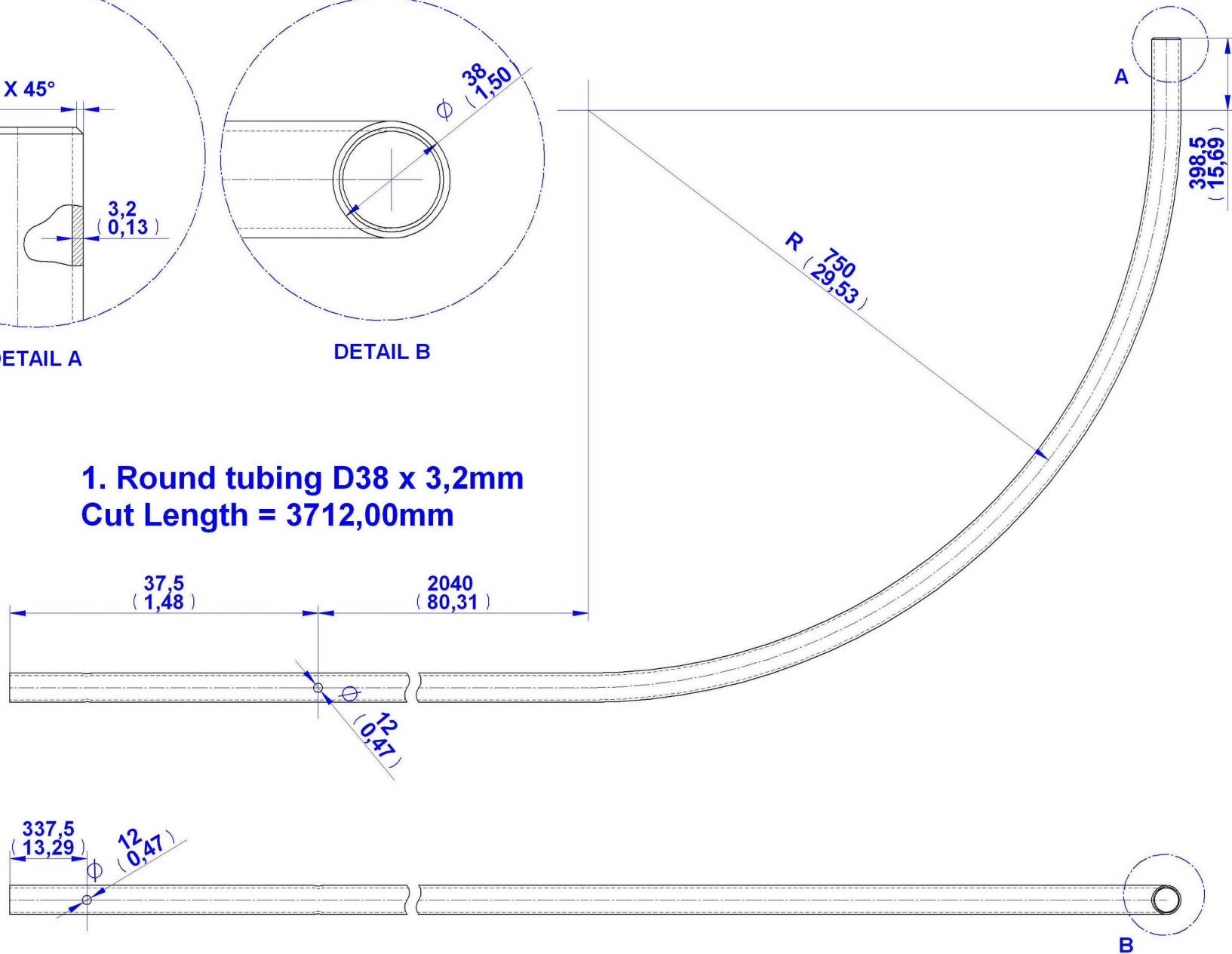


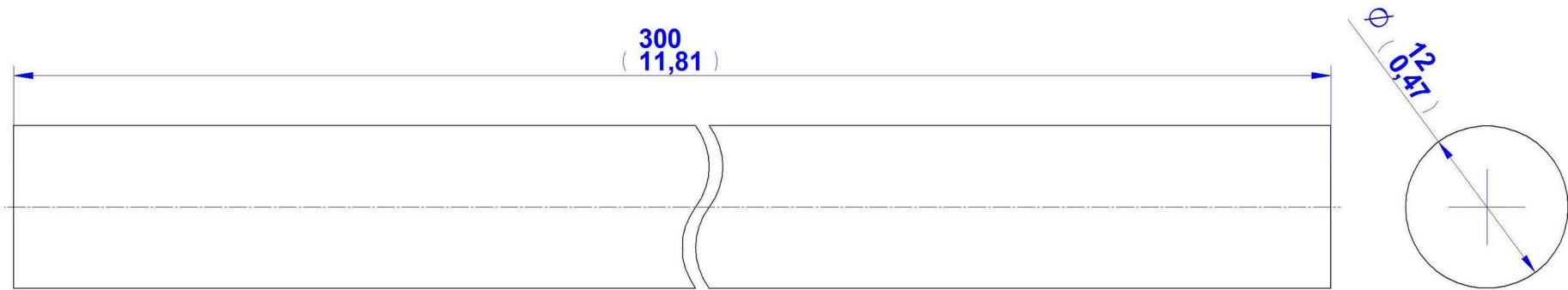
SECTION A-A



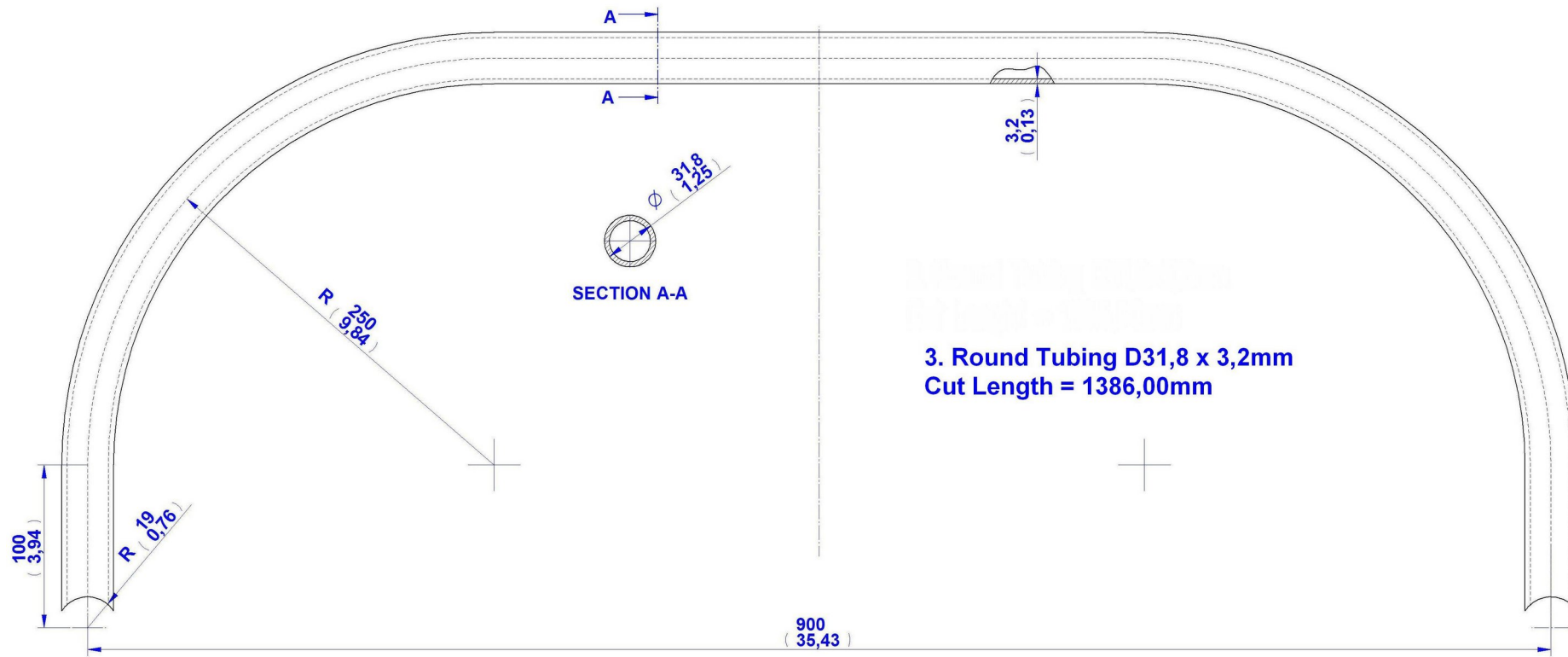


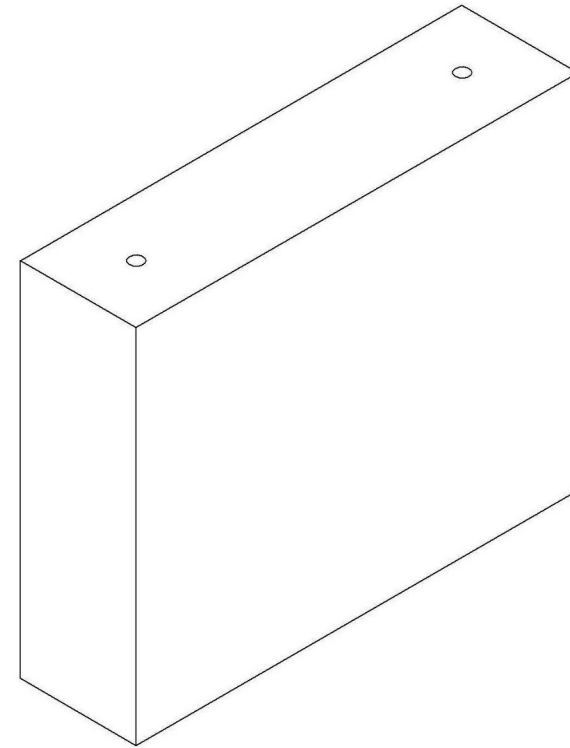
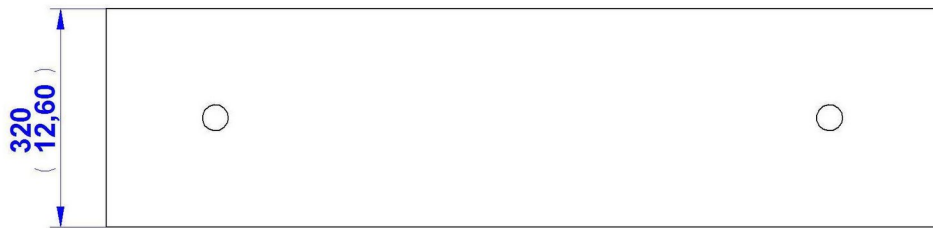
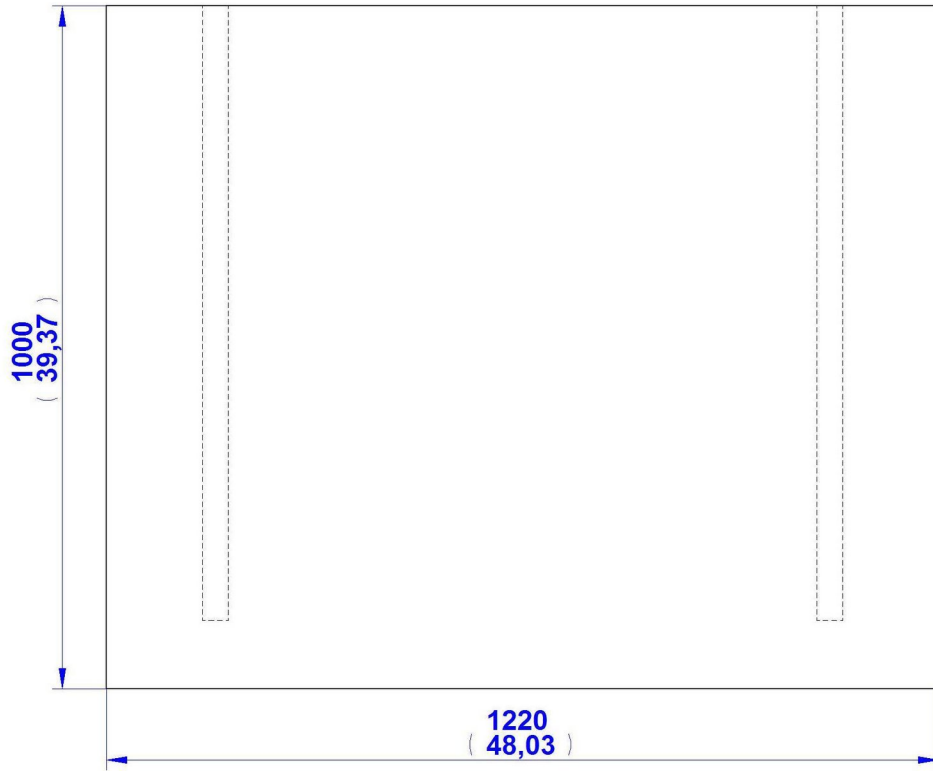
**1. Round tubing D38 x 3,2mm
Cut Length = 3712,00mm**





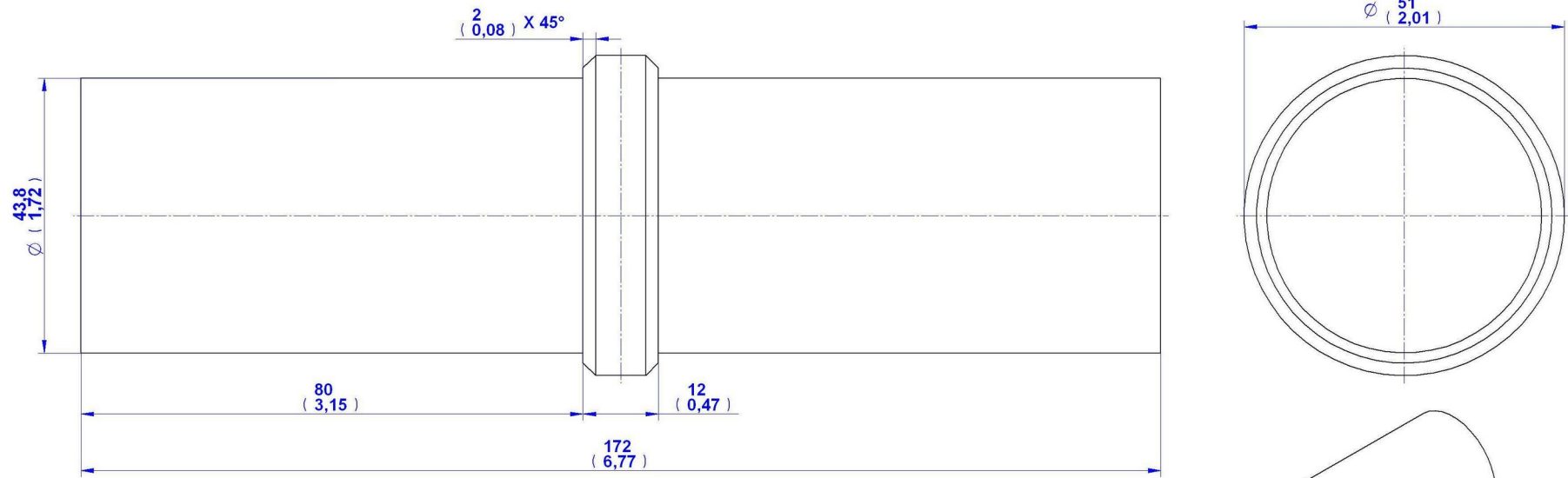
2. Bar D12mm





4. Concrete

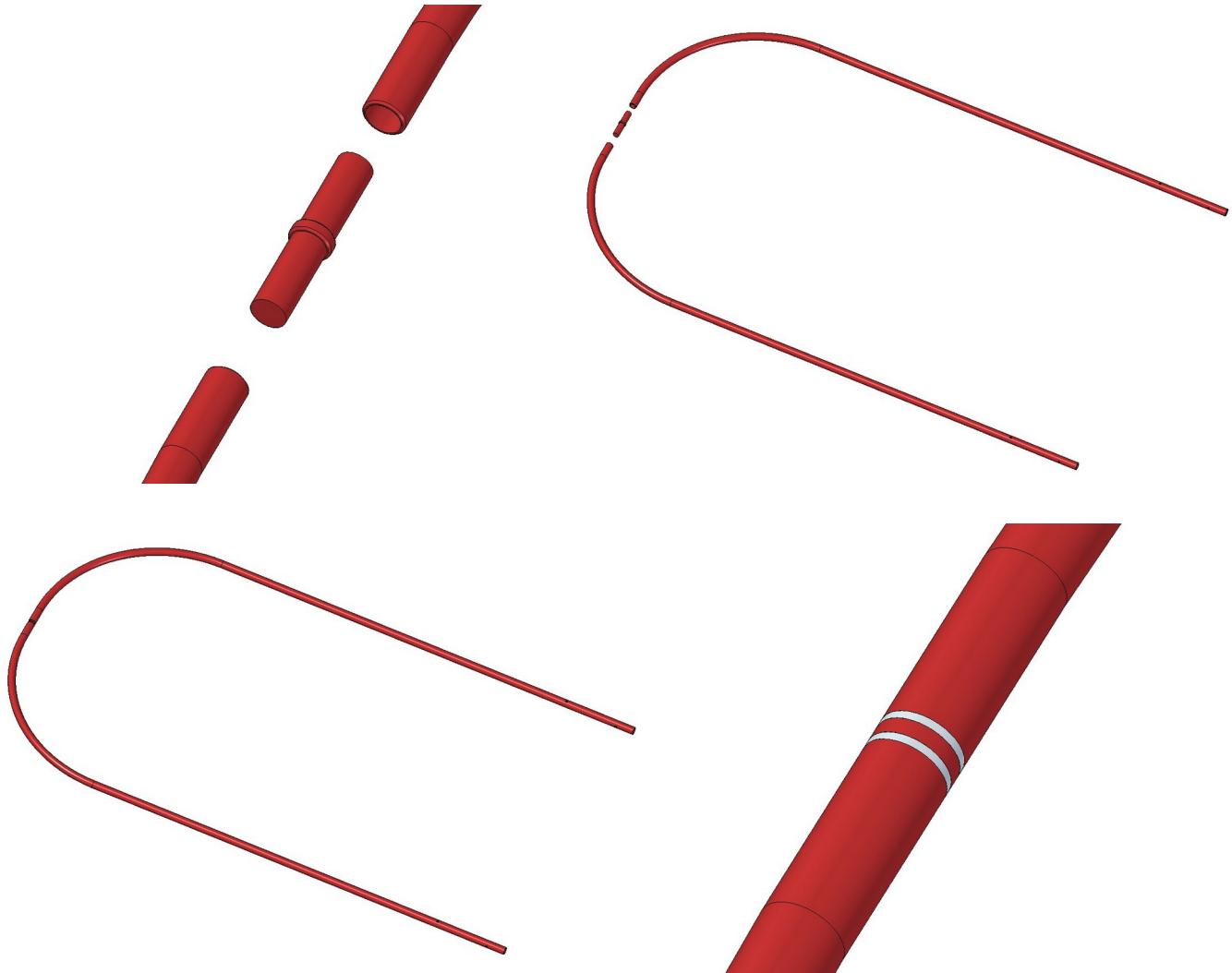
4. Concrete



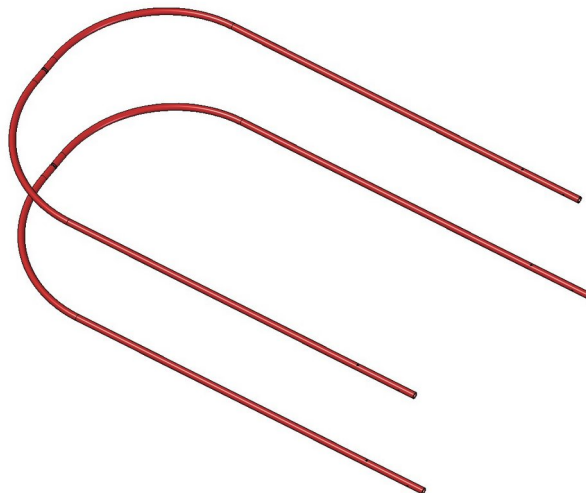
5. Insert

Assemblage images

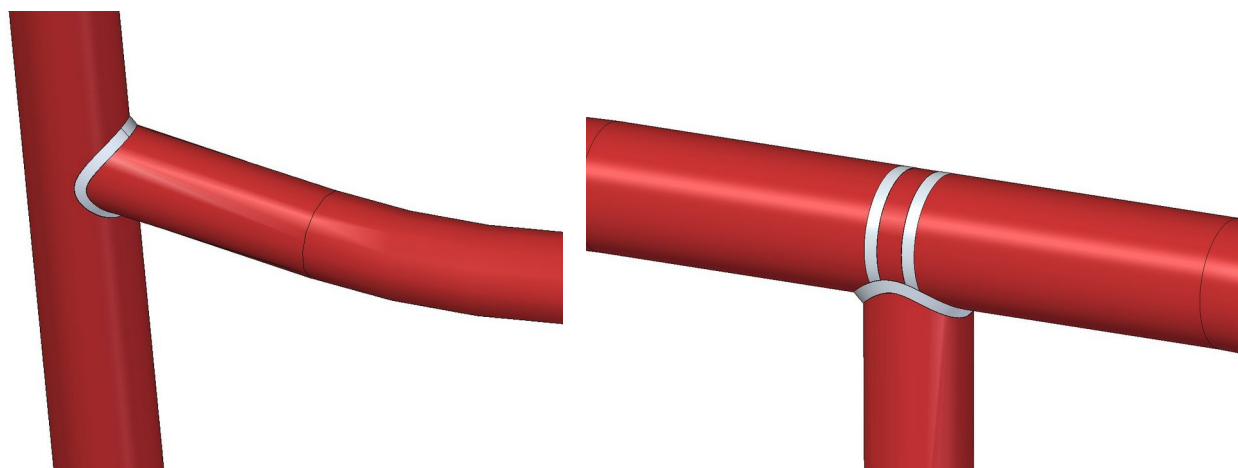
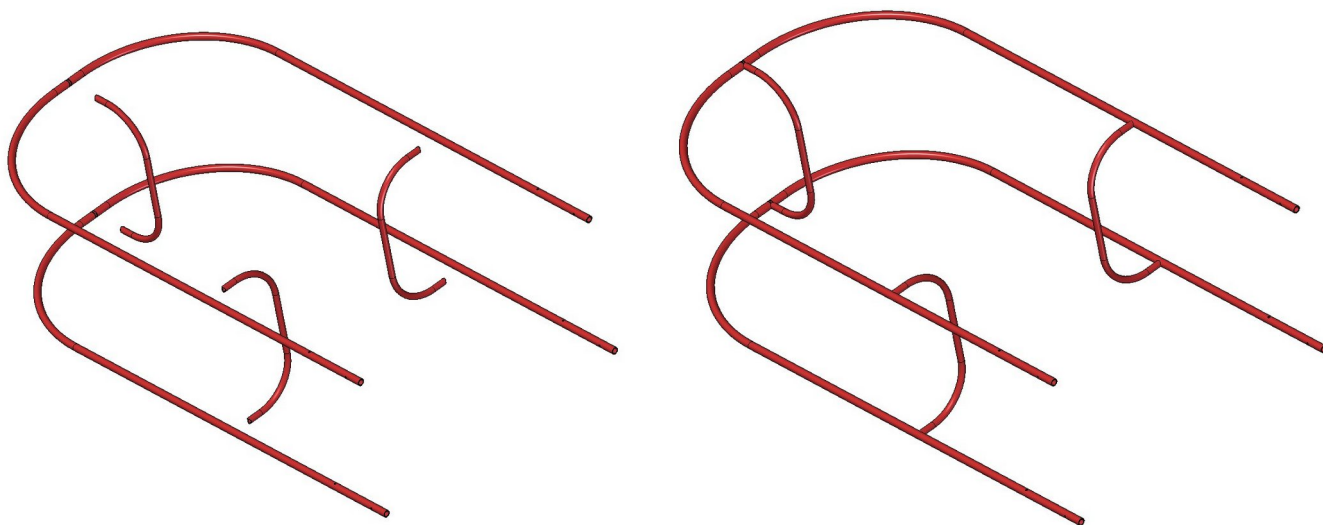
1.



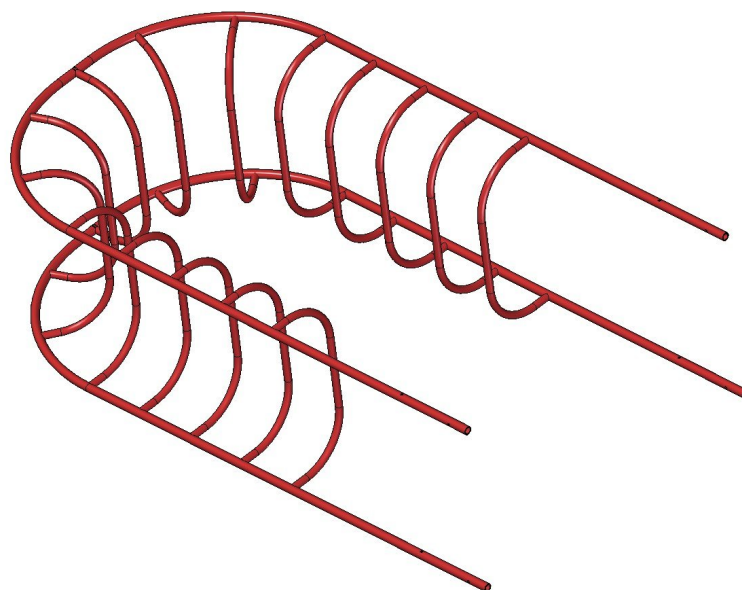
2.



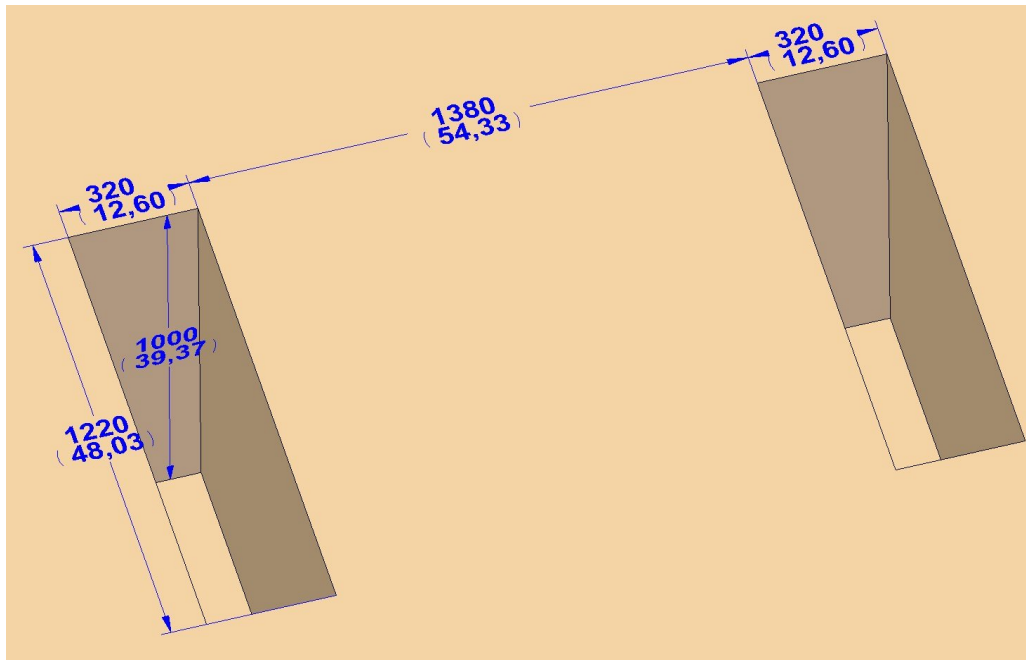
3.



4.



5.



6.

