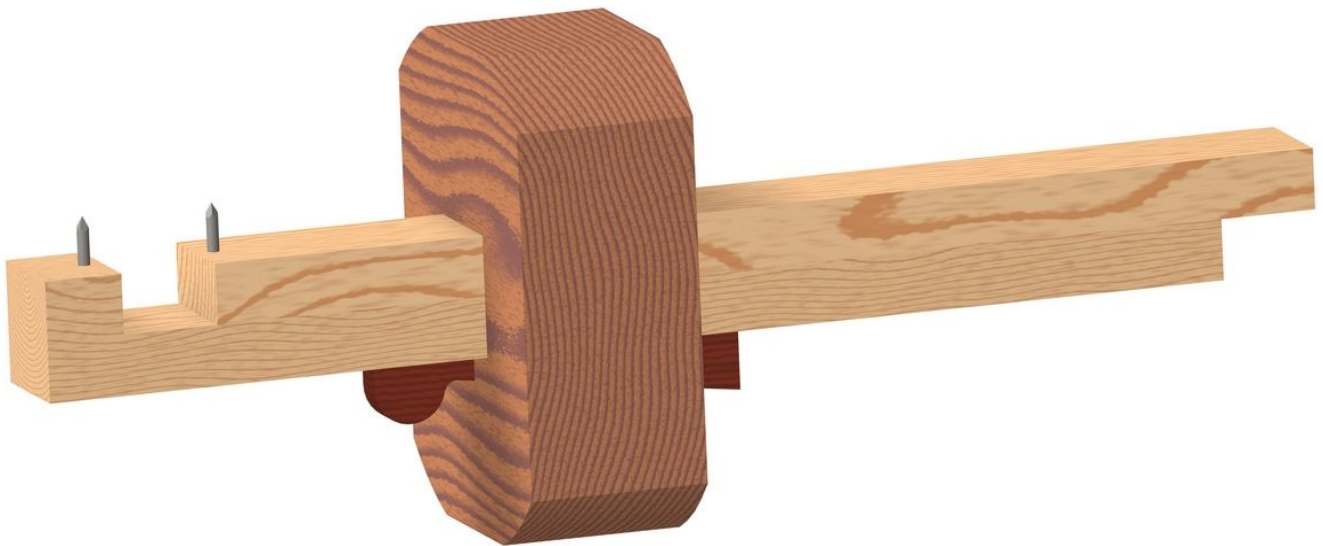


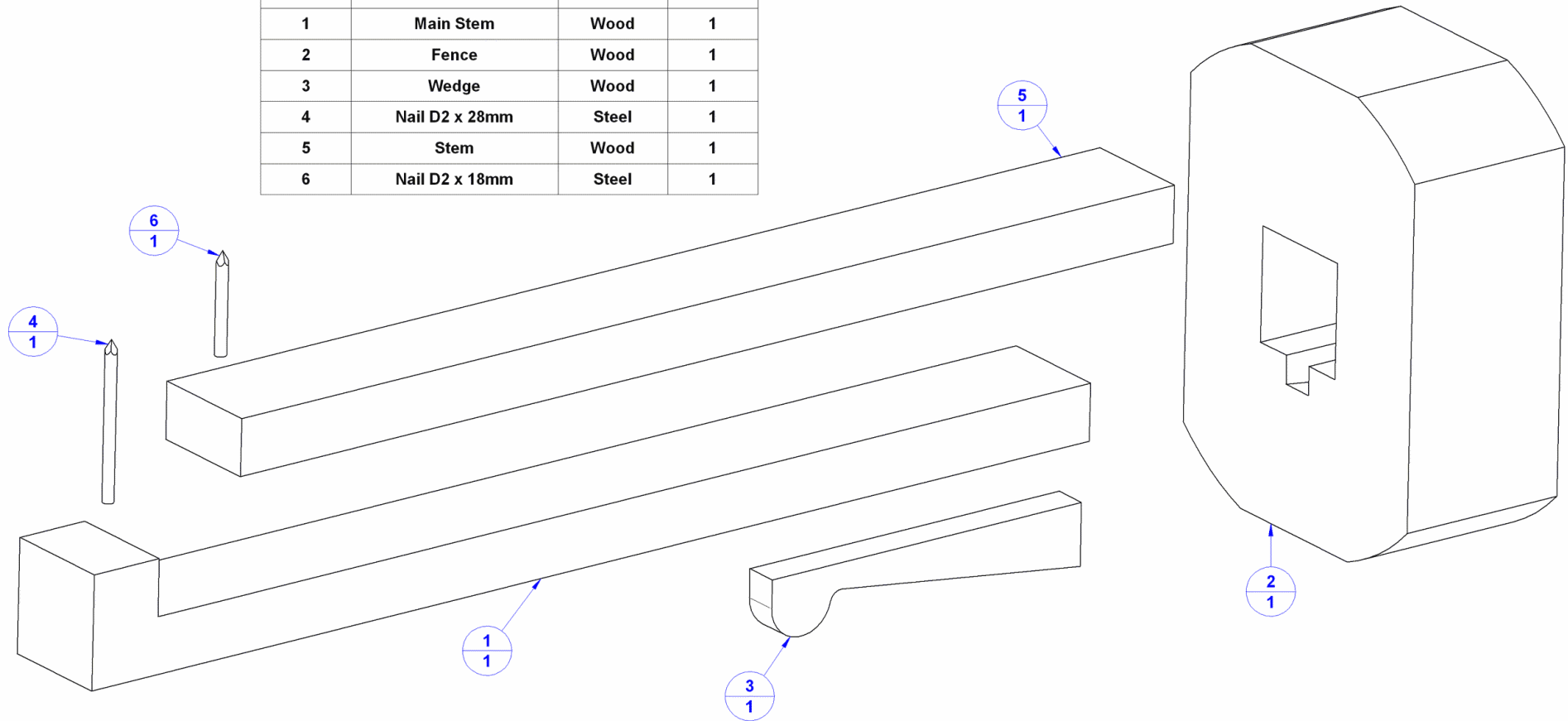
Mortise gauge plan - wedge version

Mortise gauges are made with two spurs (nails) which mark two lines parallel to the edge of a workpiece, showing the position of a tenon or mortise or a similar joint. This avoids having to score two lines separately, and makes for greater accuracy. The spurs must be able to move independently, and be locked in any position by the fence. The spurs are made from nails cut down and hammered into the ends of each half of the stem.

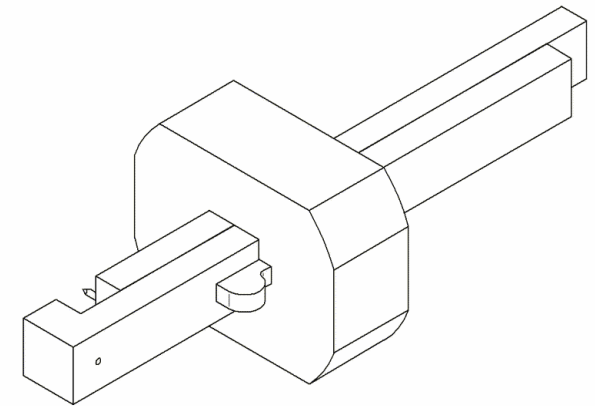
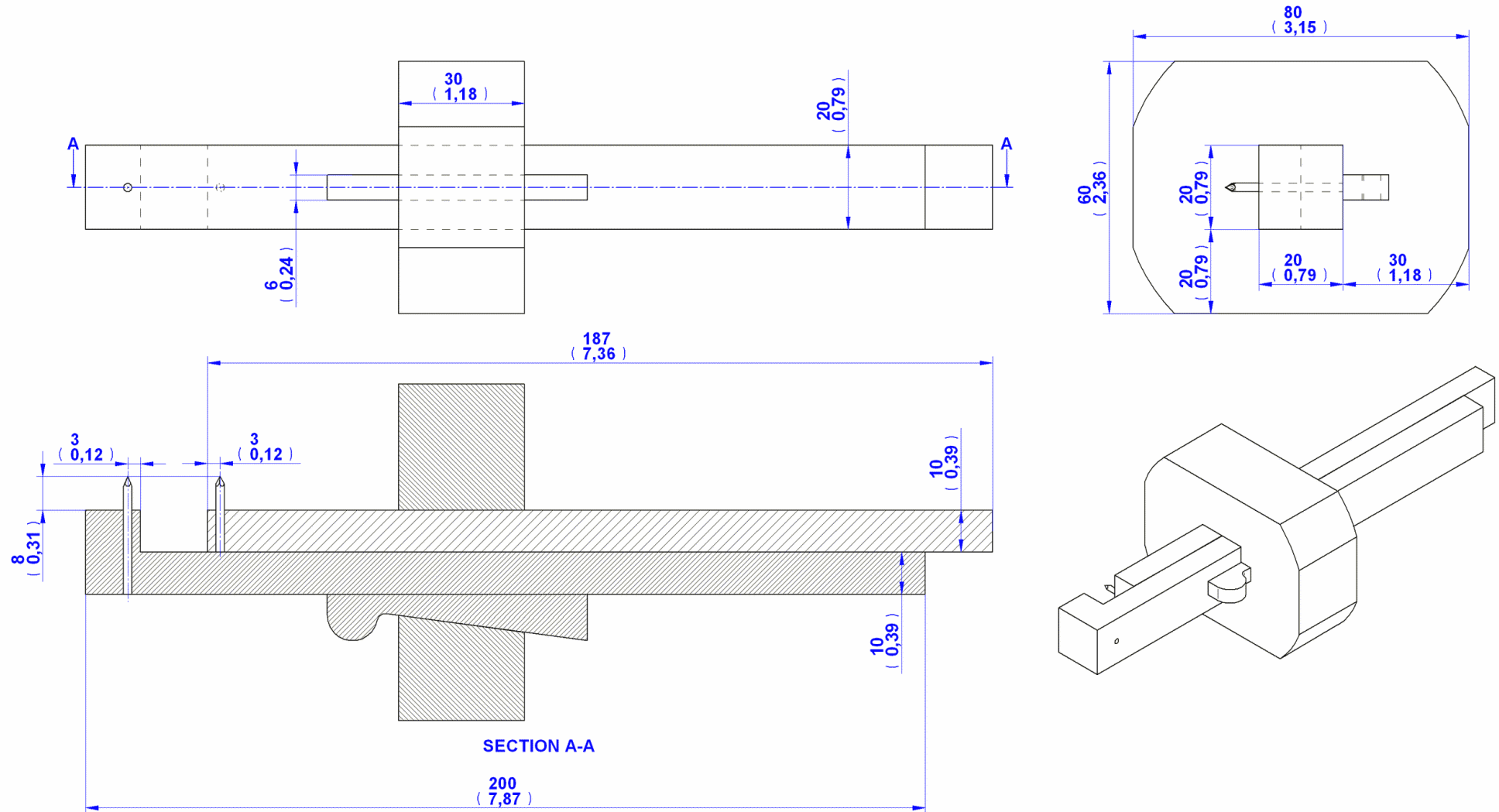


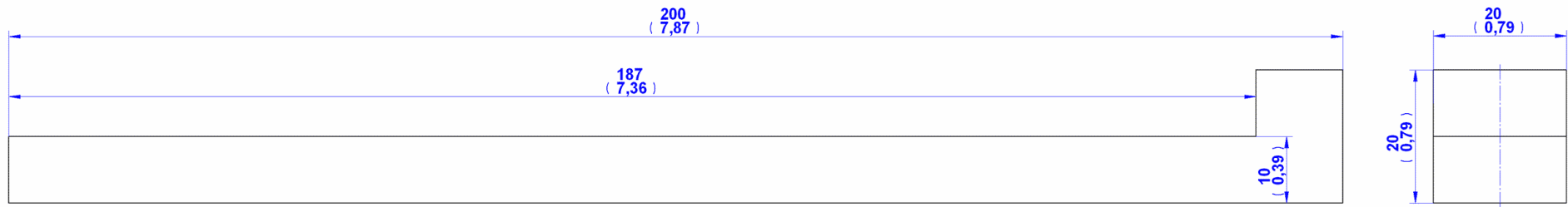
Parts List

Item Number	Title	Material	Quantity
1	Main Stem	Wood	1
2	Fence	Wood	1
3	Wedge	Wood	1
4	Nail D2 x 28mm	Steel	1
5	Stem	Wood	1
6	Nail D2 x 18mm	Steel	1

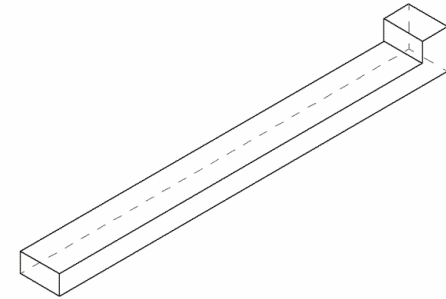


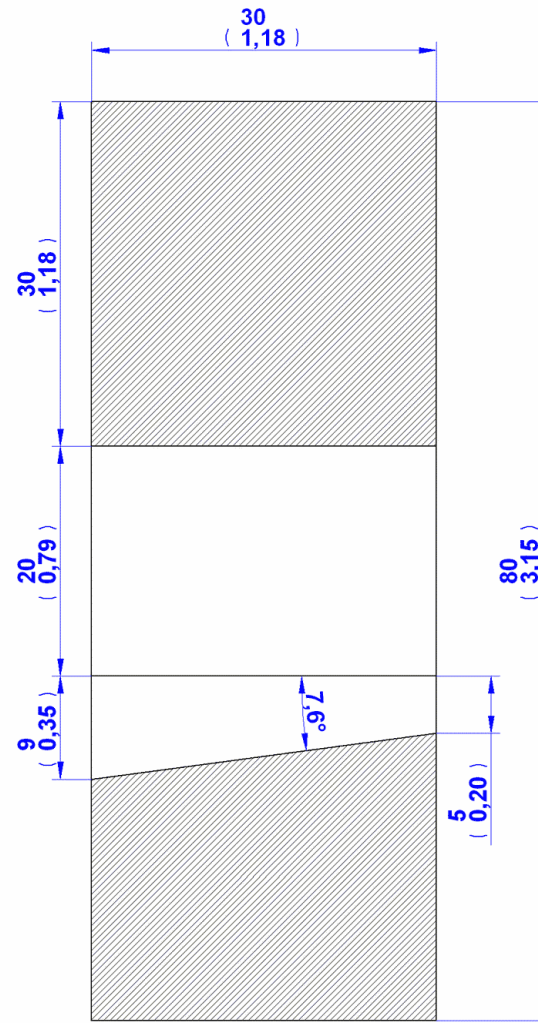
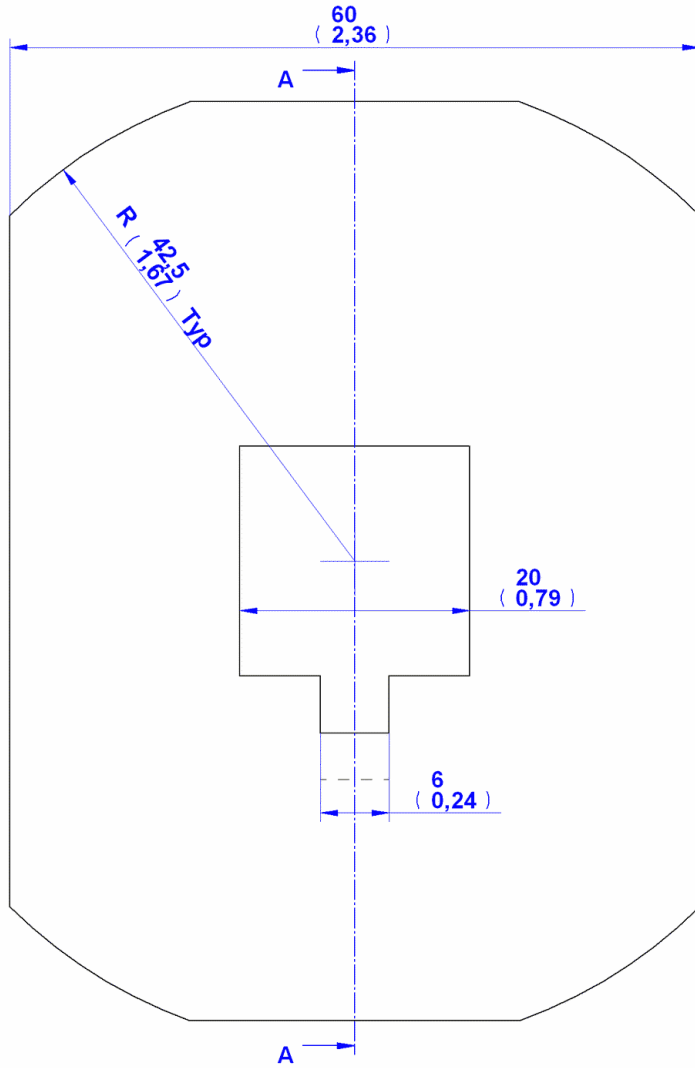
Assembly drawing



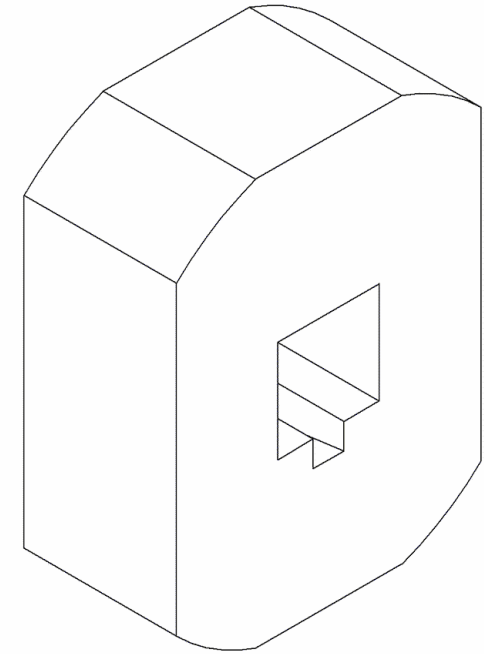


1. Main Stem

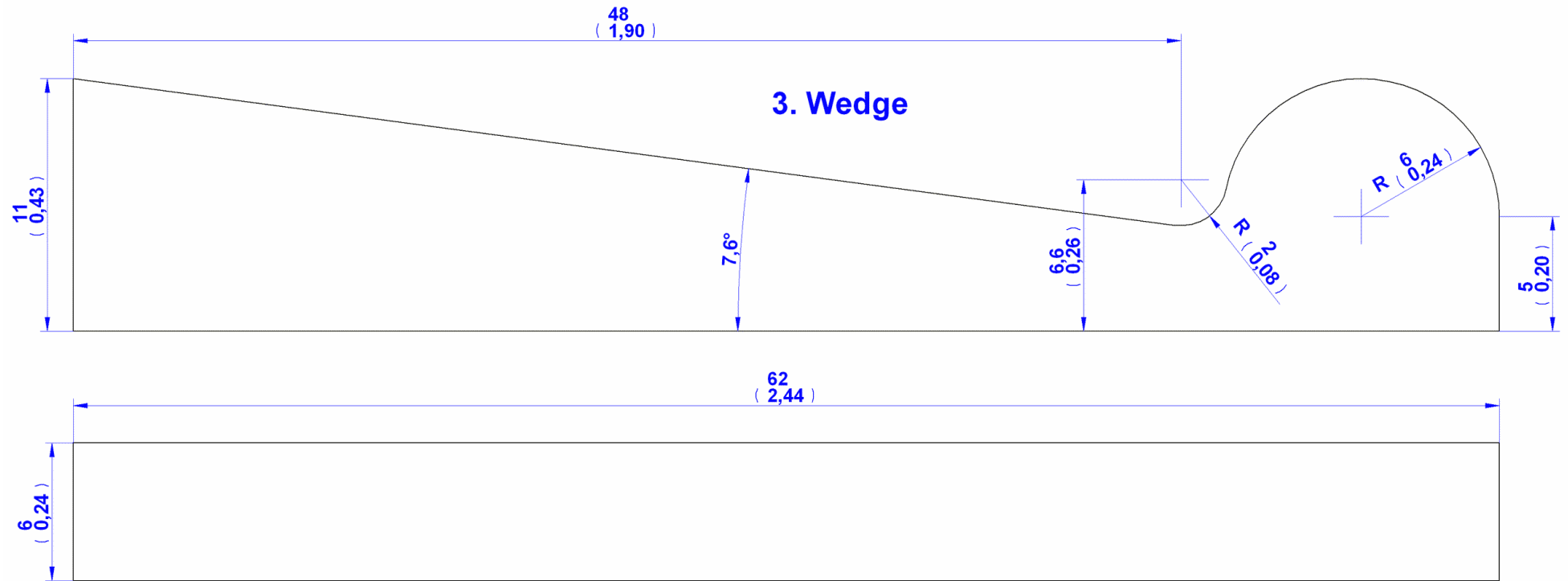


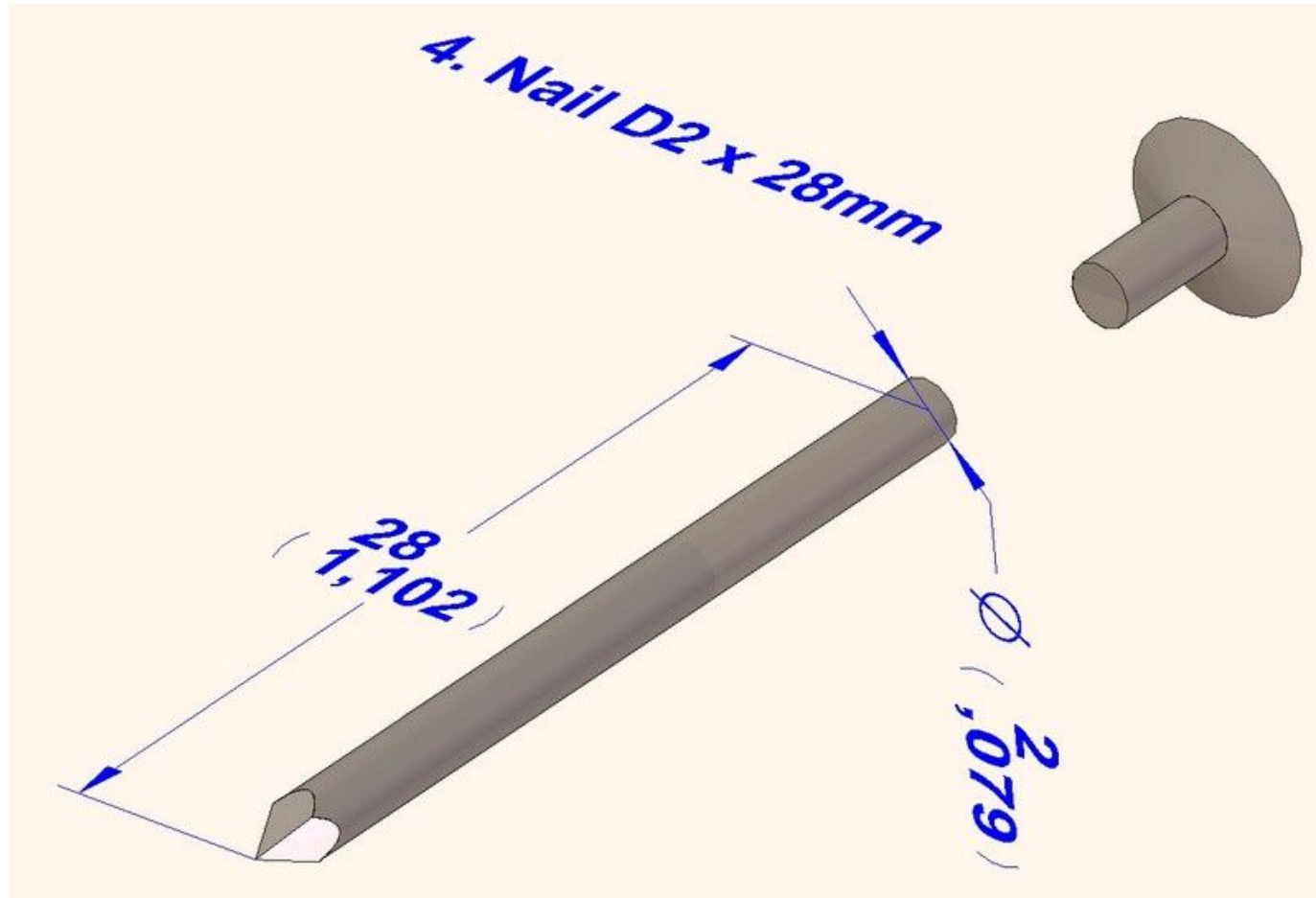


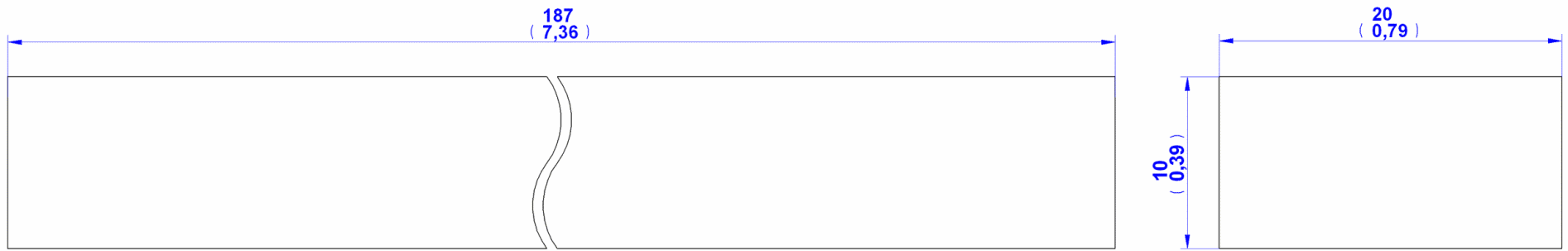
SECTION A-A



2. Fence

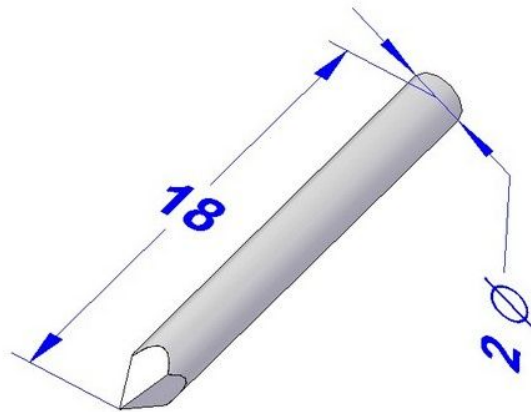
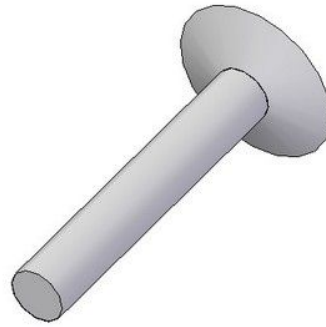






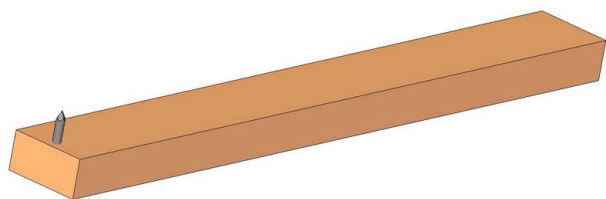
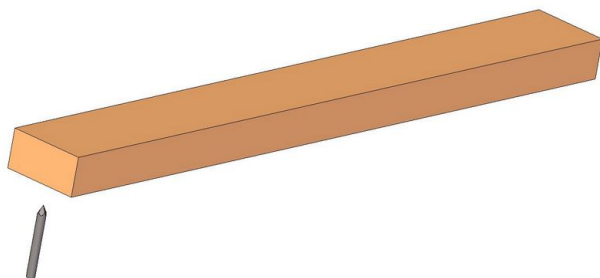
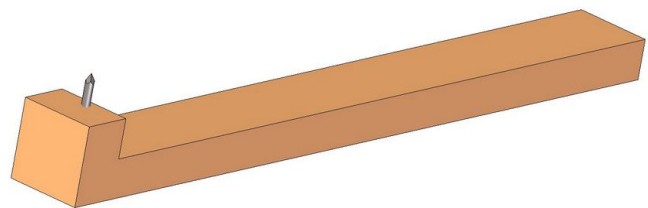
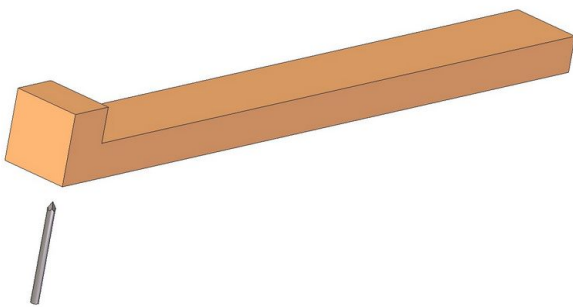
5. Stem

6. Nail D2 x 18mm

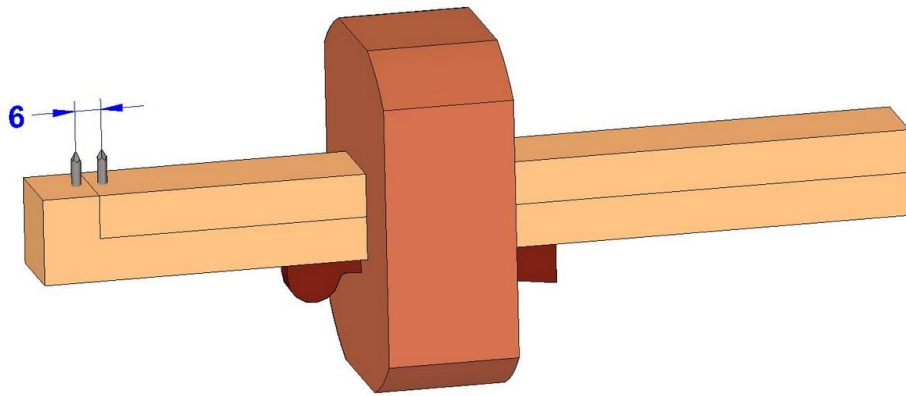


Assemblage images

1.



2.



3.

