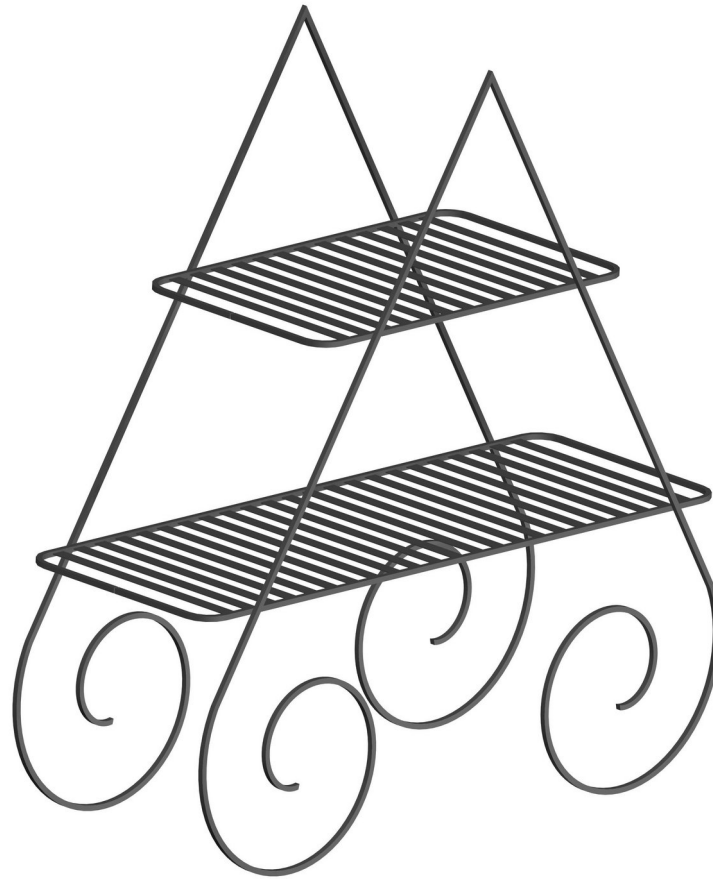


Planter holder plan– Spiral heart



With the plan that you can download on this page you can make a nice and convenient wrought iron plant holder. We named it Plant holder spiral heart because its legs resemble up-side down heart combined with spiral endings.

As you can see, this is not a difficult metalworking project – all you need to do is form 4 identical legs and two shelves and weld them together. The shelves for holding flower pots can be made either from metal (as in our project) or wood. You should not worry because we have not drawn a plant holder with wooden shelves, as they are even easier to make than the metal ones!

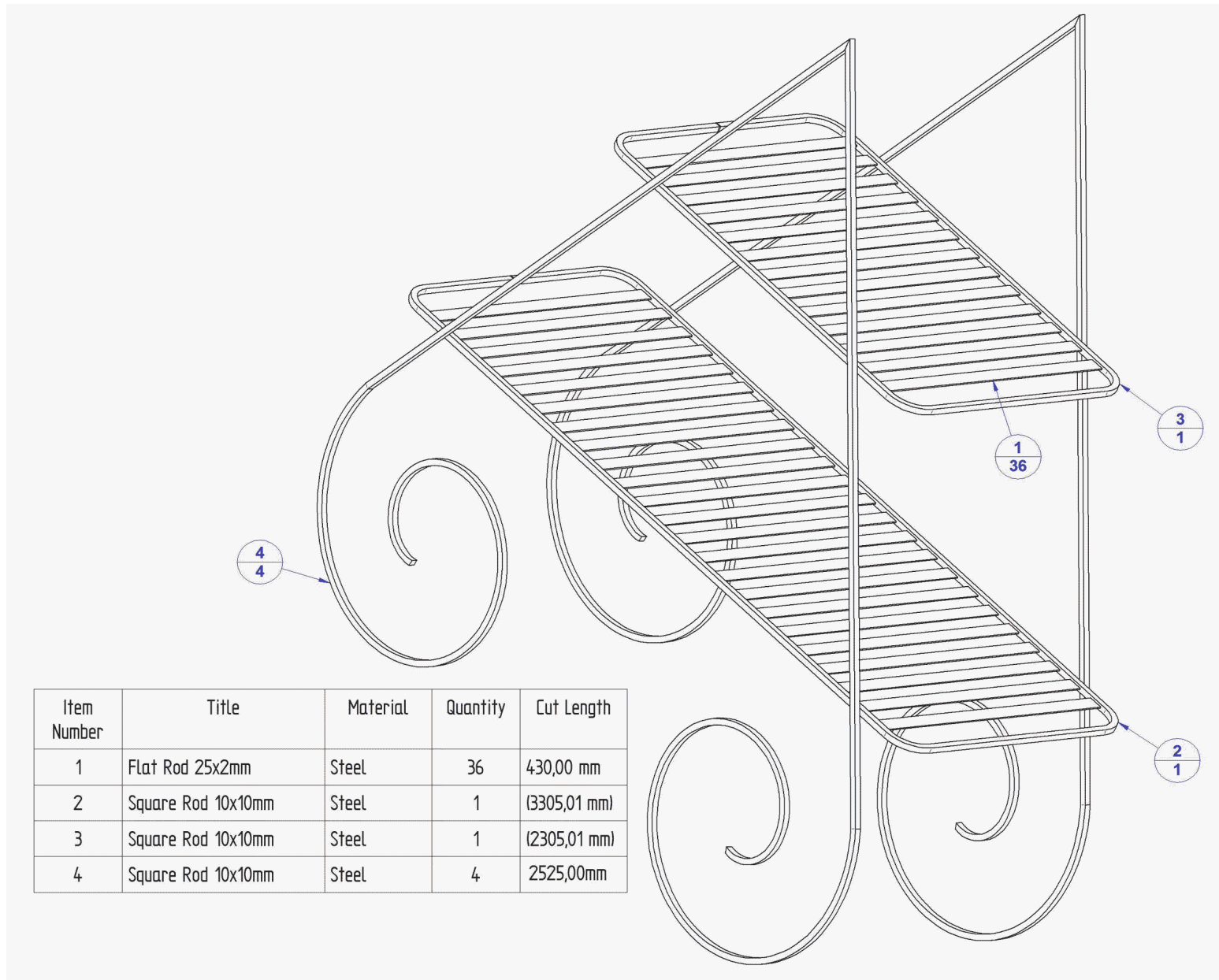
In order to make this plant holder you will have to:

- cut parts to the required length;
- make simple cardboard templates and slowly bend parts 2, 3 and 4;
- weld the parts together according to the drawings in the plan;
- clean the metal surfaces of any possible rust and grease, and apply primer paint and metal paint.

In the plan, the whole construction has been made from rods having a square profile, but be free to use those with a round profile if you think they will be easier to work with.

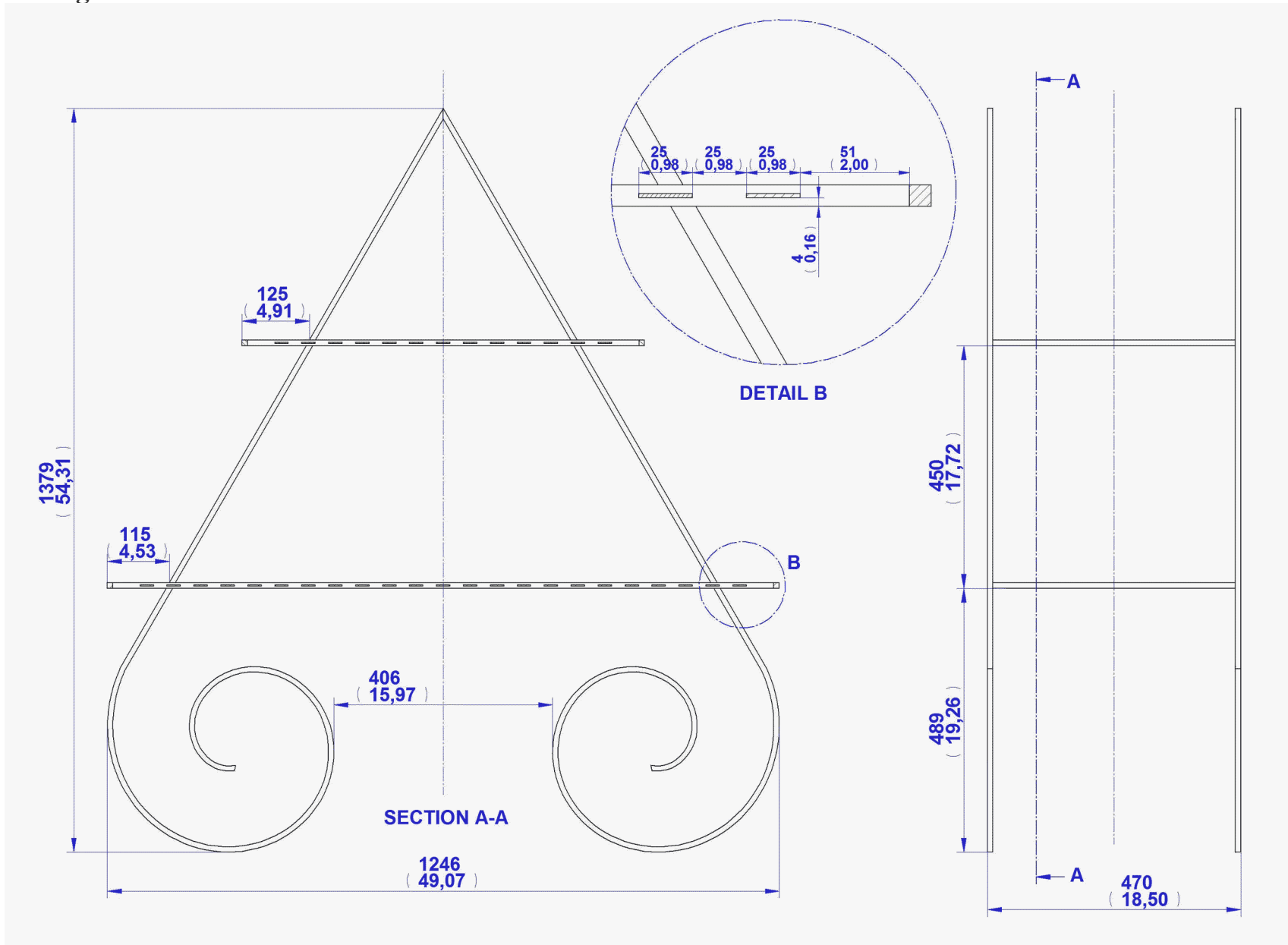
Although the construction looks rather weak, a plant holder like this one is sturdy enough to support the weight of the pots kept on it. If you dislike its pointed top, cut it off and weld the rod (horizontal or circular shape) instead.

Parts List

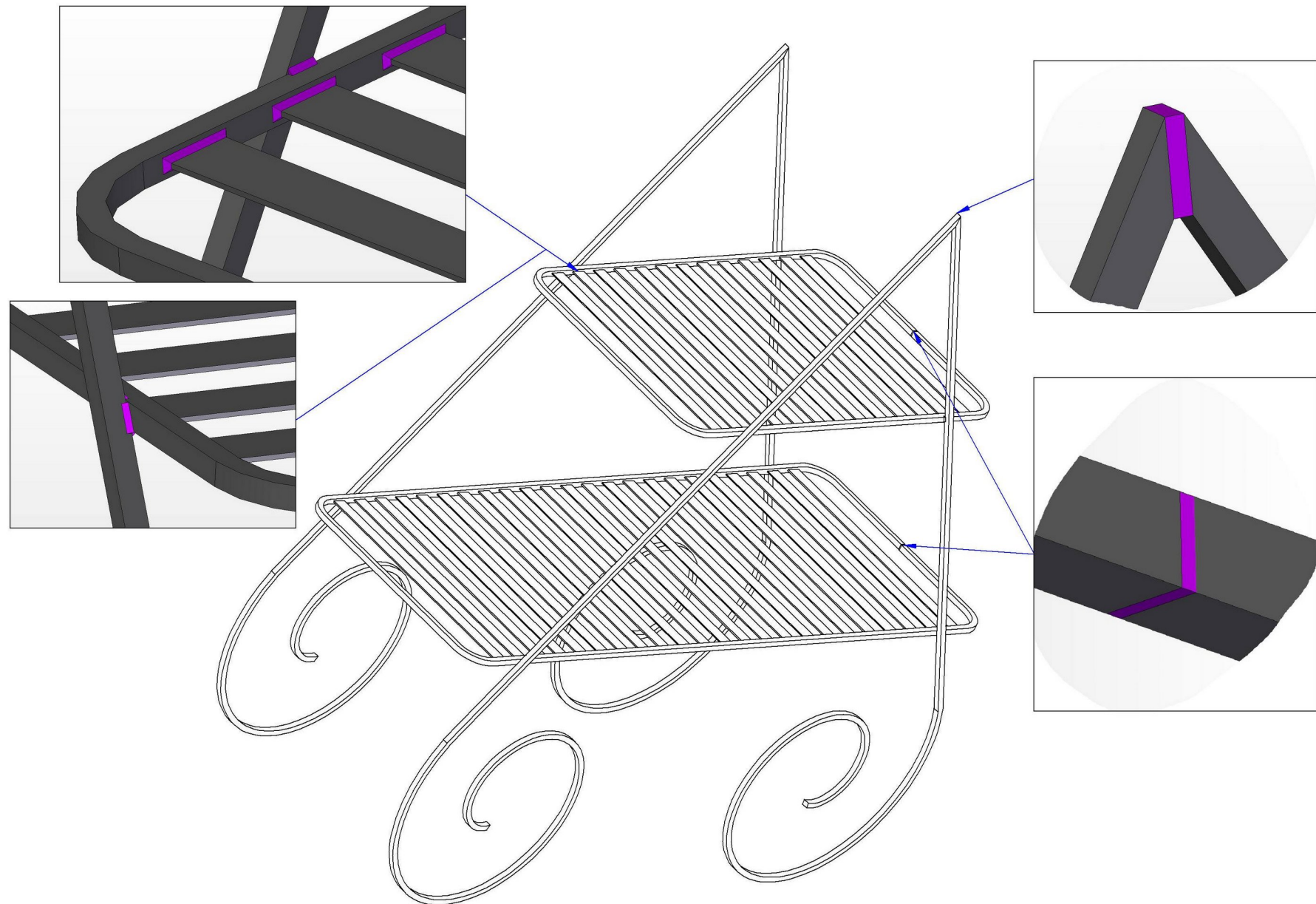


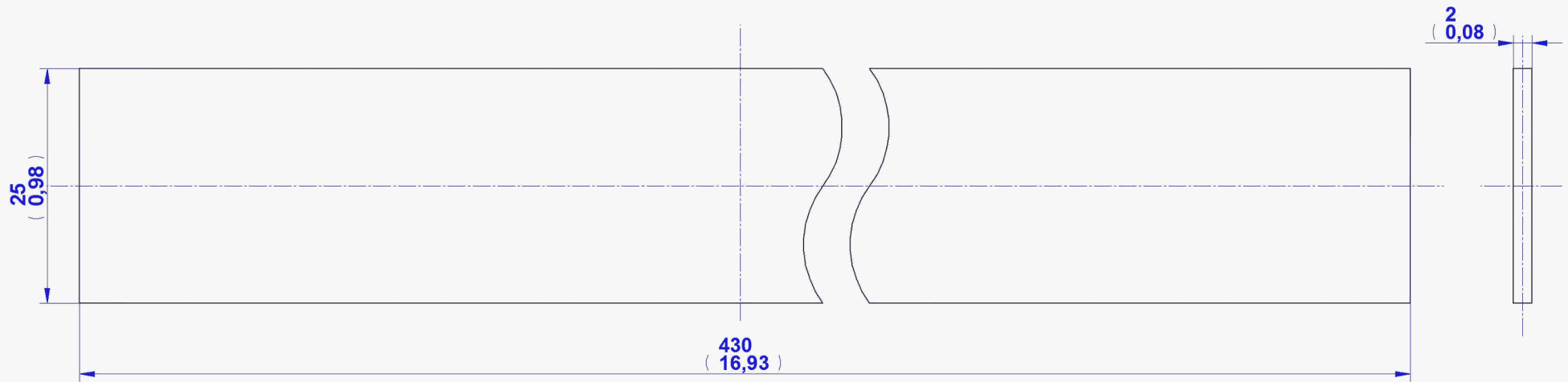
Item Number	Title	Material	Quantity	Cut Length
1	Flat Rod 25x2mm	Steel	36	430,00 mm
2	Square Rod 10x10mm	Steel	1	(3305,01 mm)
3	Square Rod 10x10mm	Steel	1	(2305,01 mm)
4	Square Rod 10x10mm	Steel	4	2525,00mm

Assembly Drawing



Position of welds





1. Flat Rod 25 x 2mm
Cut Length = 430,00mm

