

Practical stool plan



One of the commonest project for the home woodworker to make is a stool. In this free woodworking plan we present a stool which is not only very pleasing in design, but is extremely useful. The decoration on Top board is suggestive only.

A weekend in the workshop is all that's needed to complete this woodworking project. Detail drawings of each part are given, and if the dimensions are carefully followed, no difficulty need be experienced. No nails or screws are used in its assembly but the parts are held together securely by means of wooden dowels and wedges.

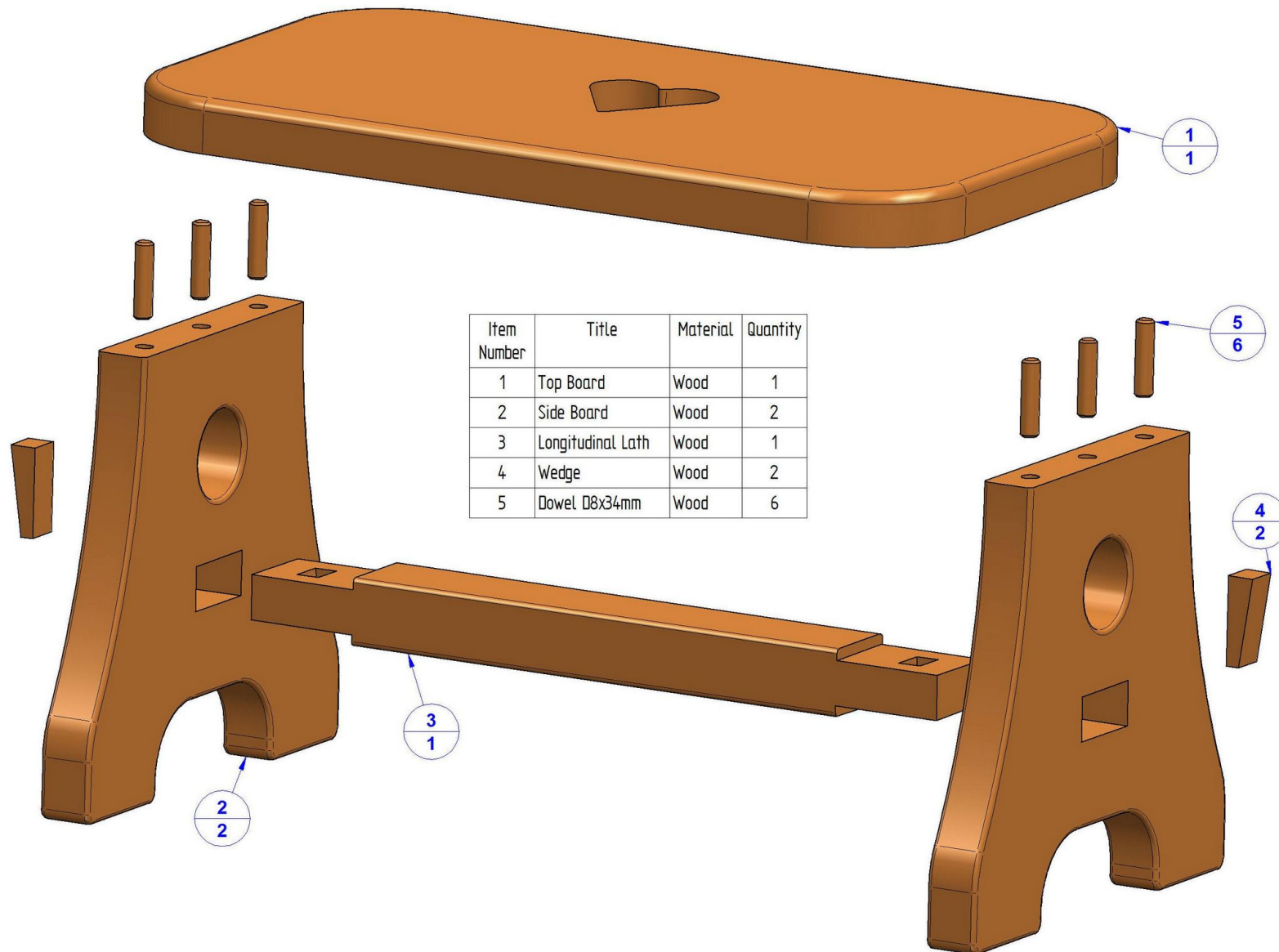
The stool is 220 mm (8.66 in.) long, 400 mm (15.75 in.) wide and 224 mm (8.82 in.) high.

Dimensions and design may be varied to suit your needs. For durability, it's best to use a hardwood for this project, preferably maple, walnut, oak or birch.

How to make this practical stool.

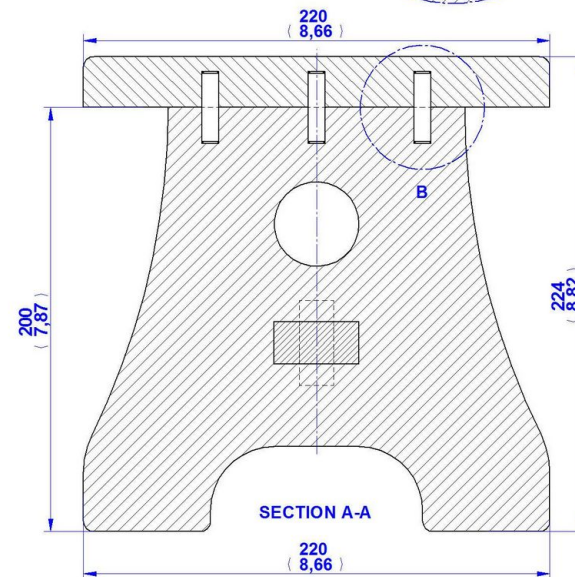
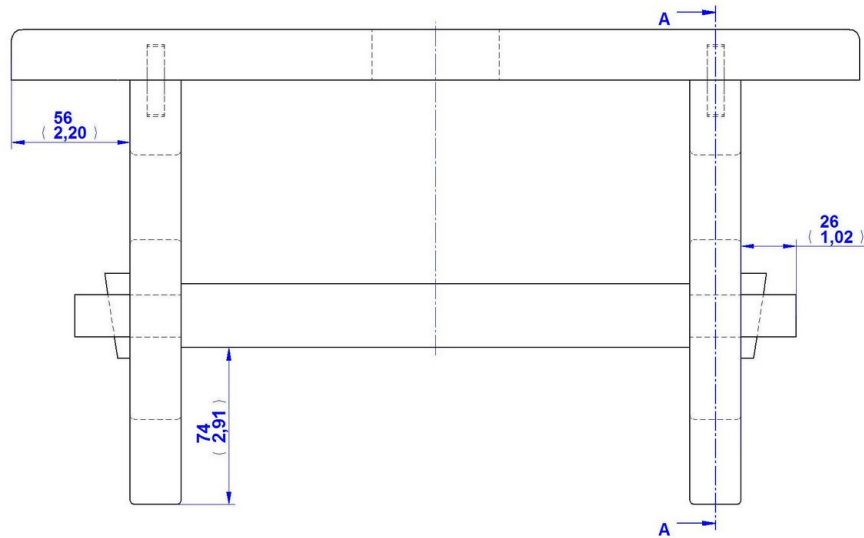
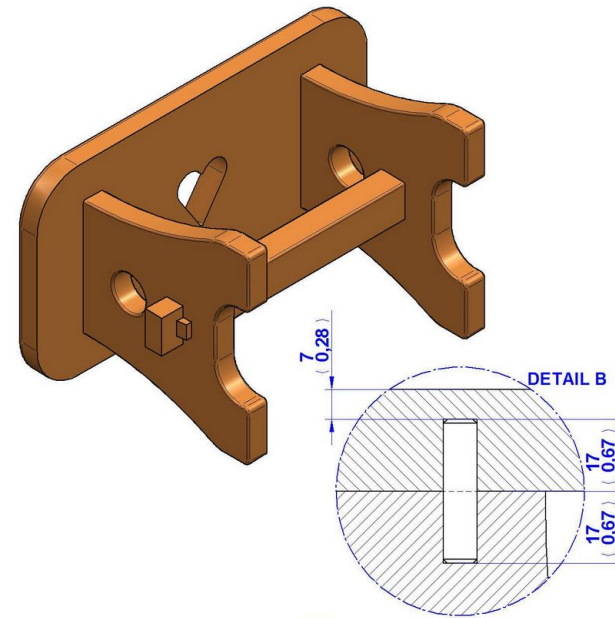
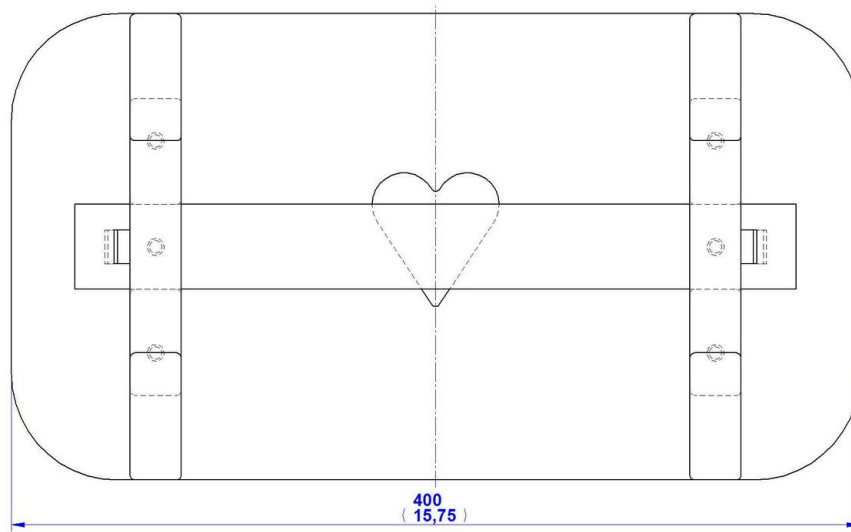
1. Make stock list.
2. Make all pieces of the required shape and size. You can save time and ensure accuracy by cutting the two side boards out together.
3. Sand all sides, and round all edges.
4. Assemble the stool, using the exploded view.
5. Set the stool on a flat surface and level the legs by sanding until the stool no longer rocks.
6. Stain and finish as desired.

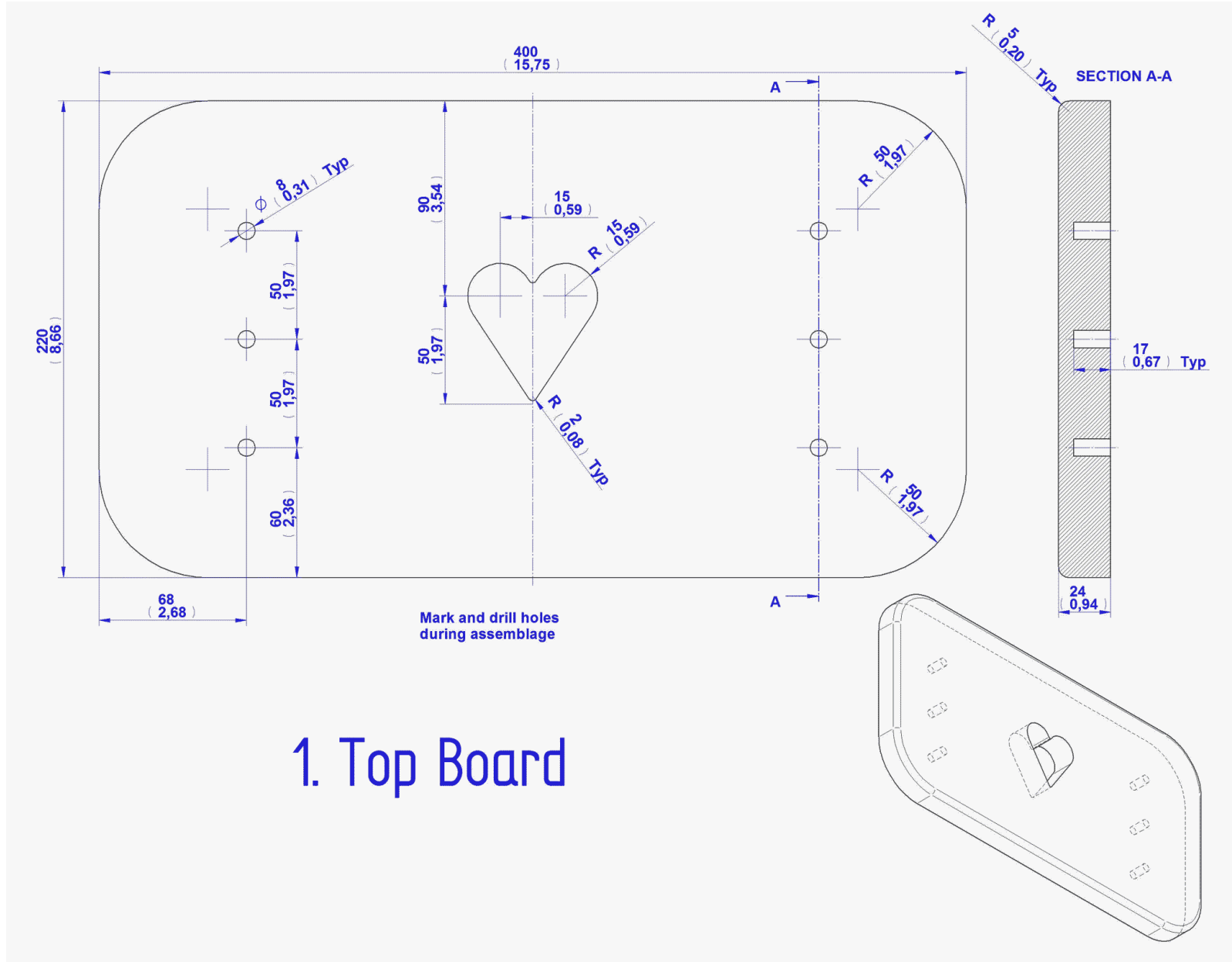
Parts List



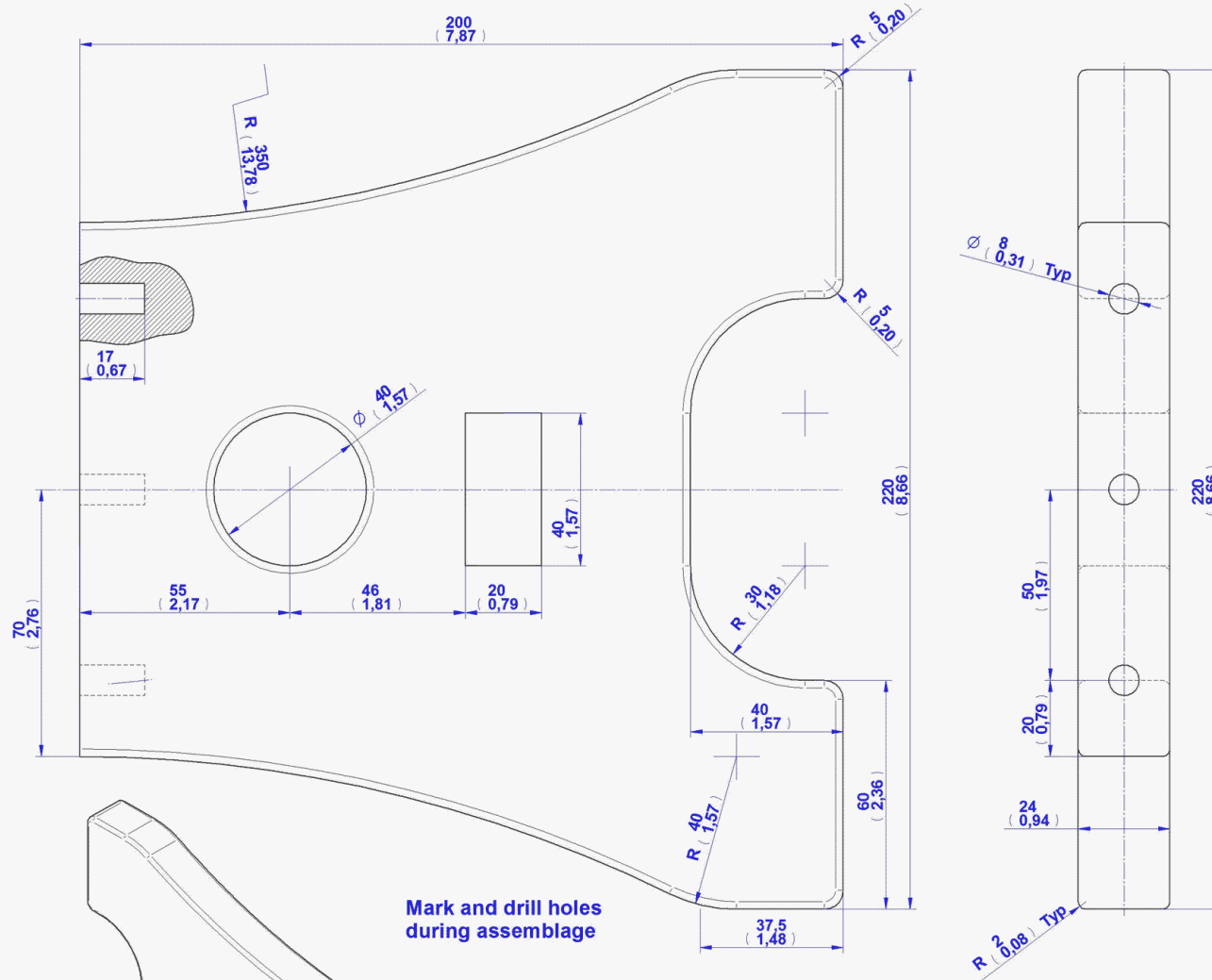
Item Number	Title	Material	Quantity
1	Top Board	Wood	1
2	Side Board	Wood	2
3	Longitudinal Lath	Wood	1
4	Wedge	Wood	2
5	Dowel Ø8x34mm	Wood	6

Assembly Drawing

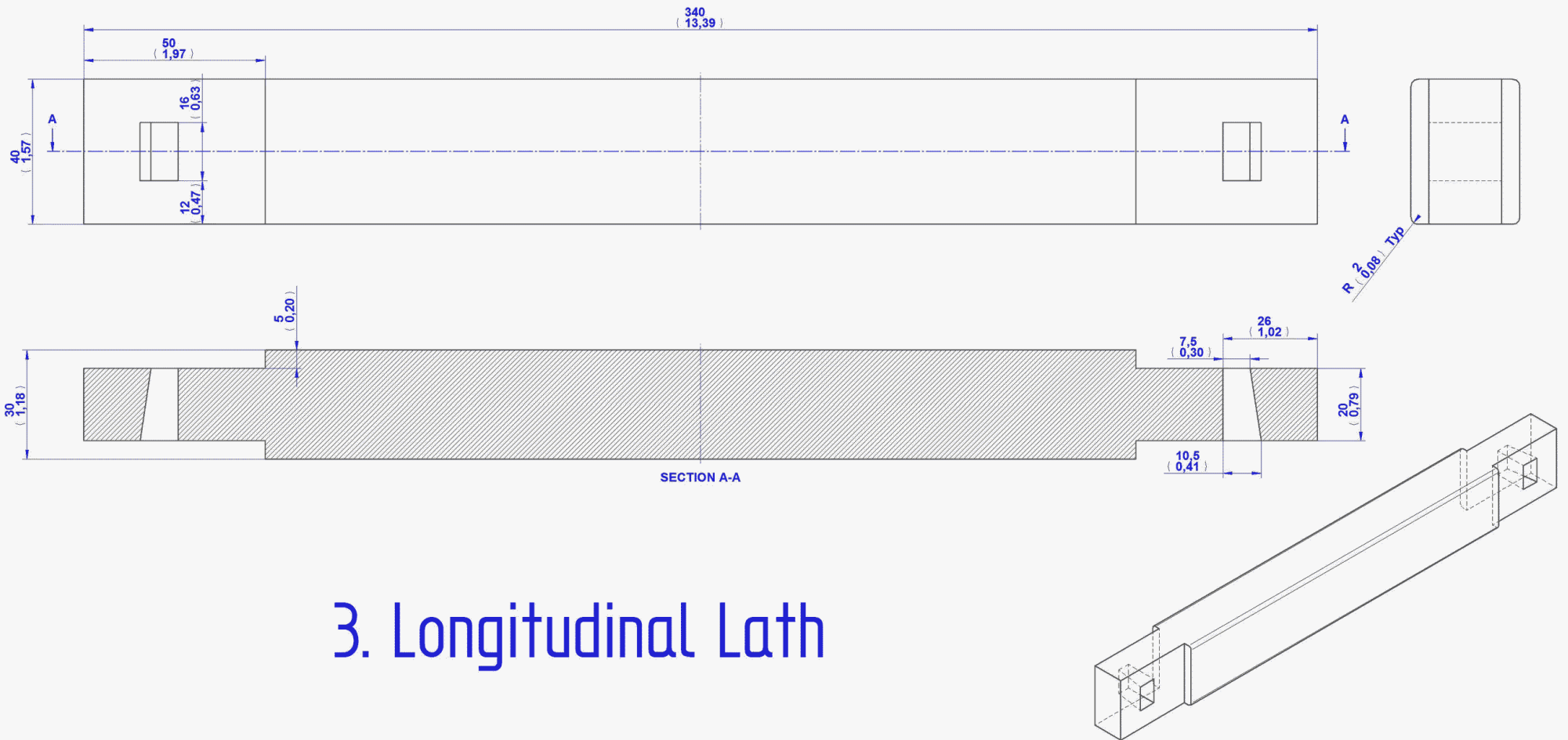




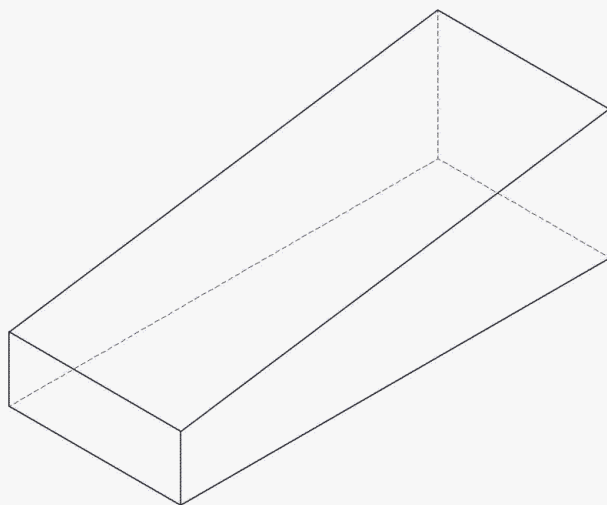
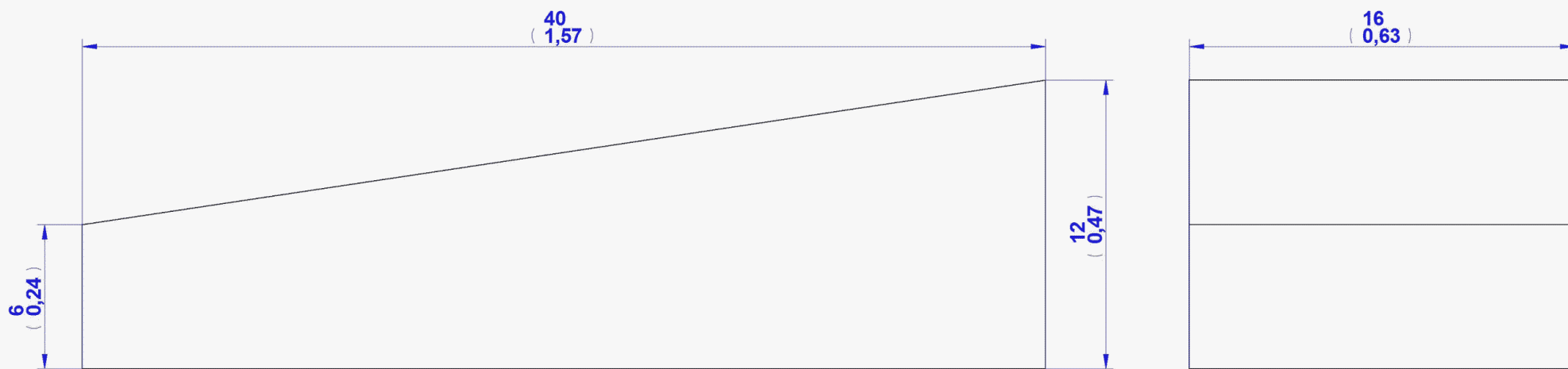
1. Top Board



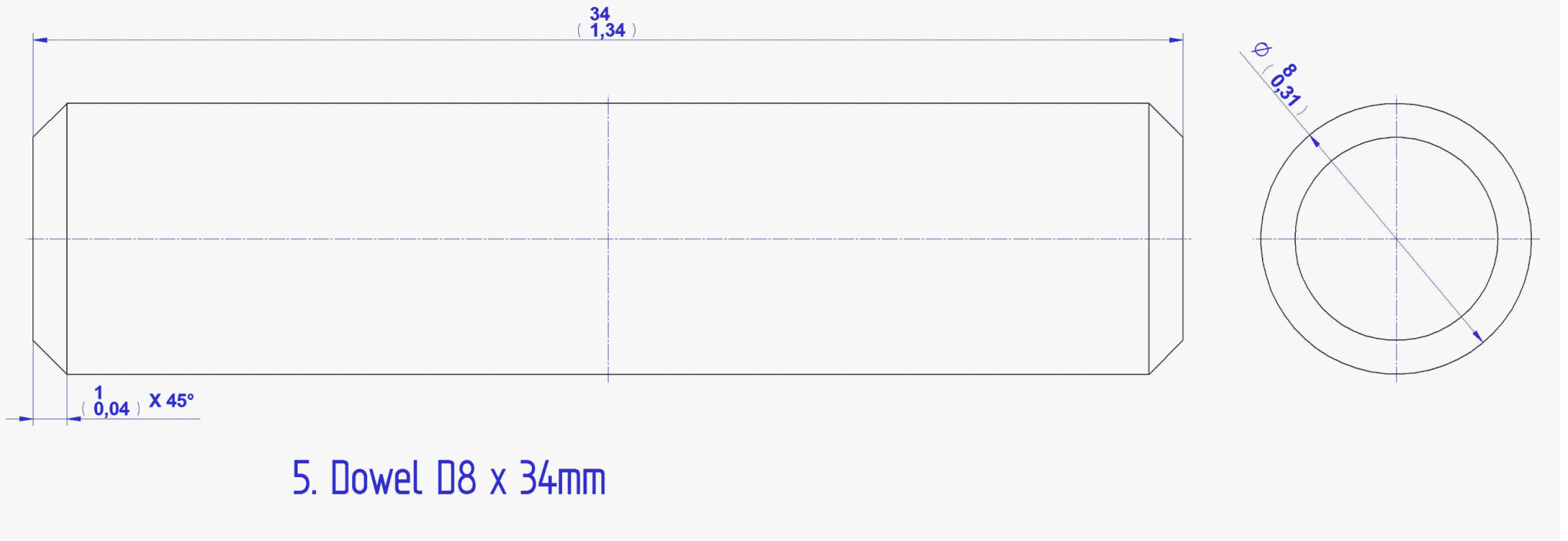
2. Side Board



3. Longitudinal Lath

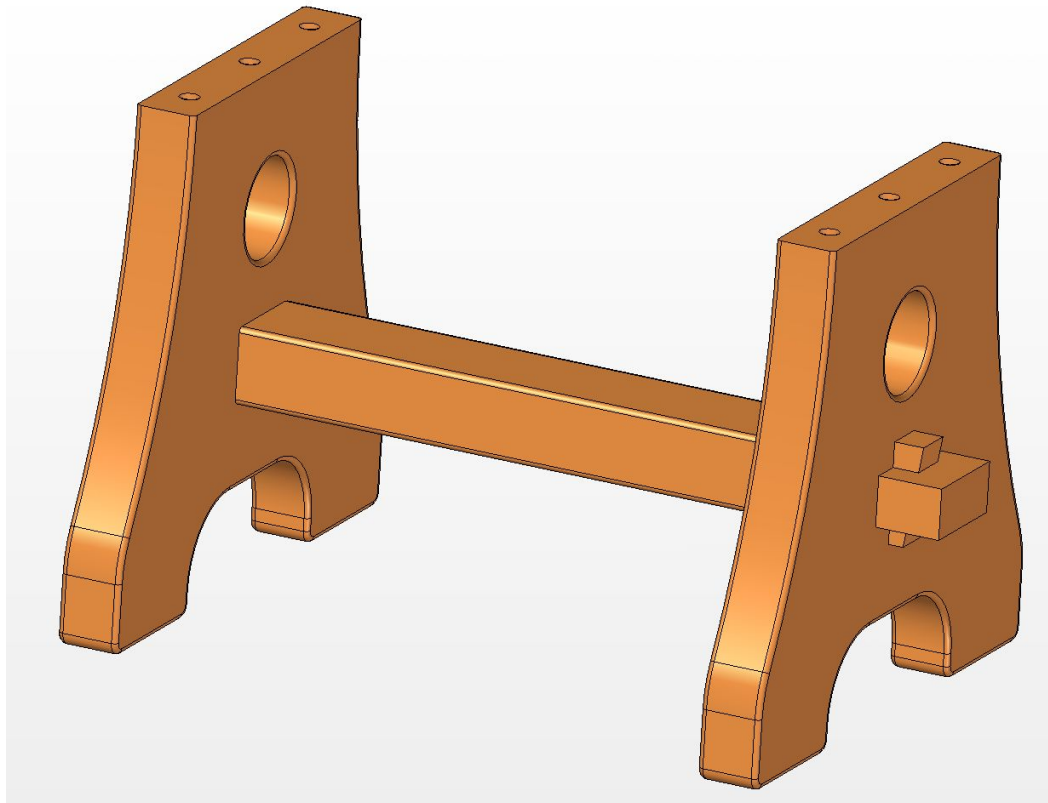
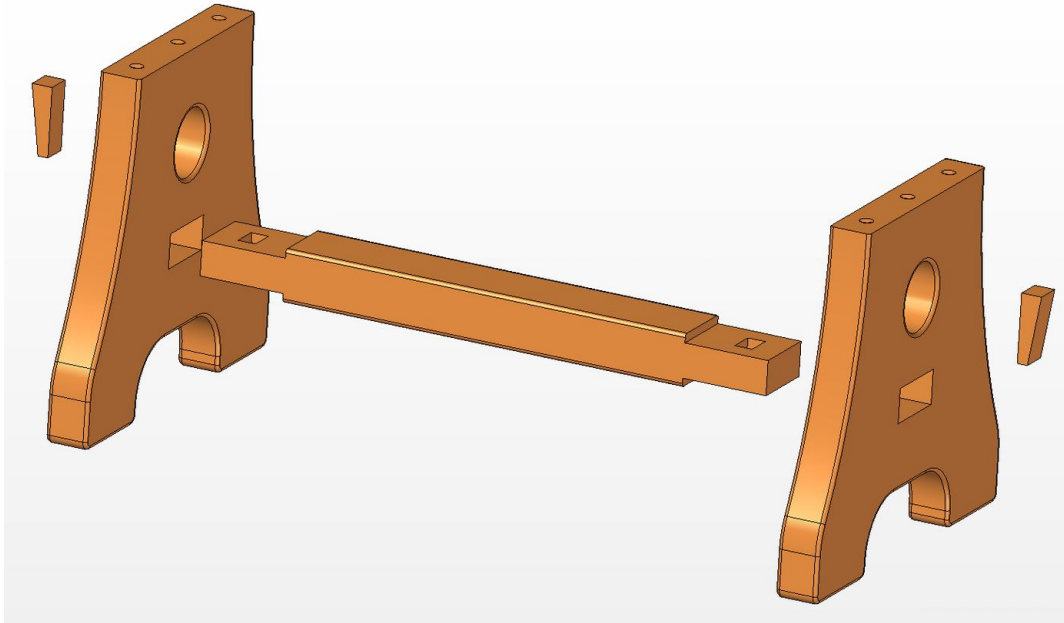


4. Wedge

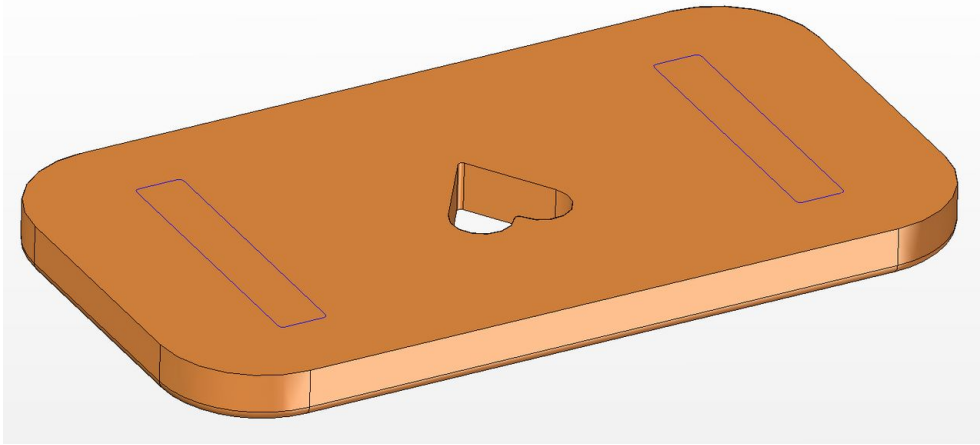


Assemblage images

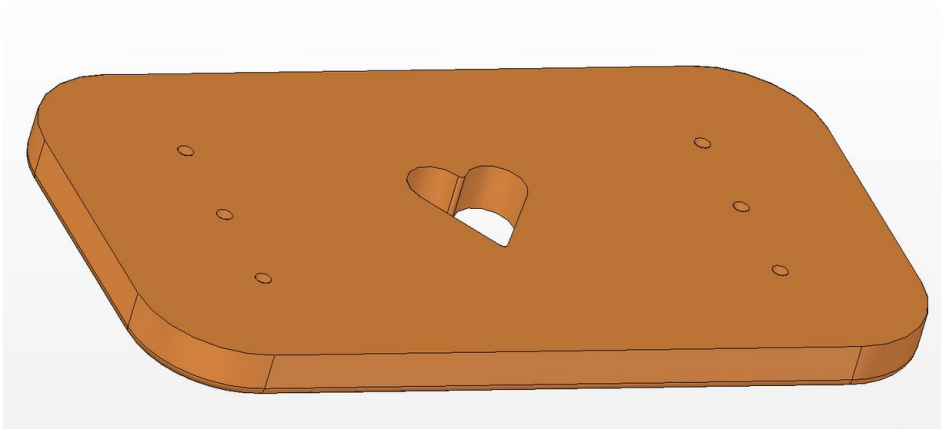
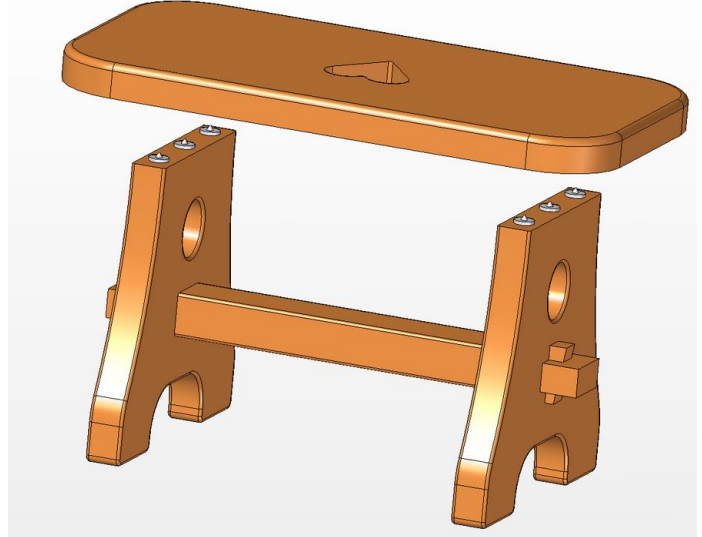
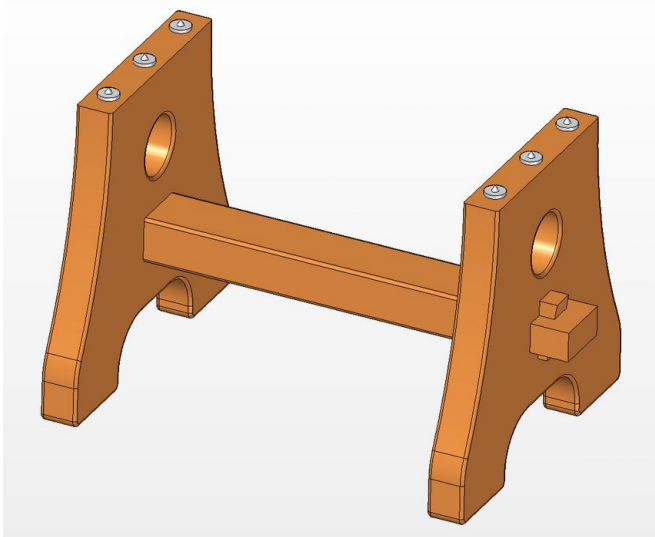
1.



2.



3.



4.

