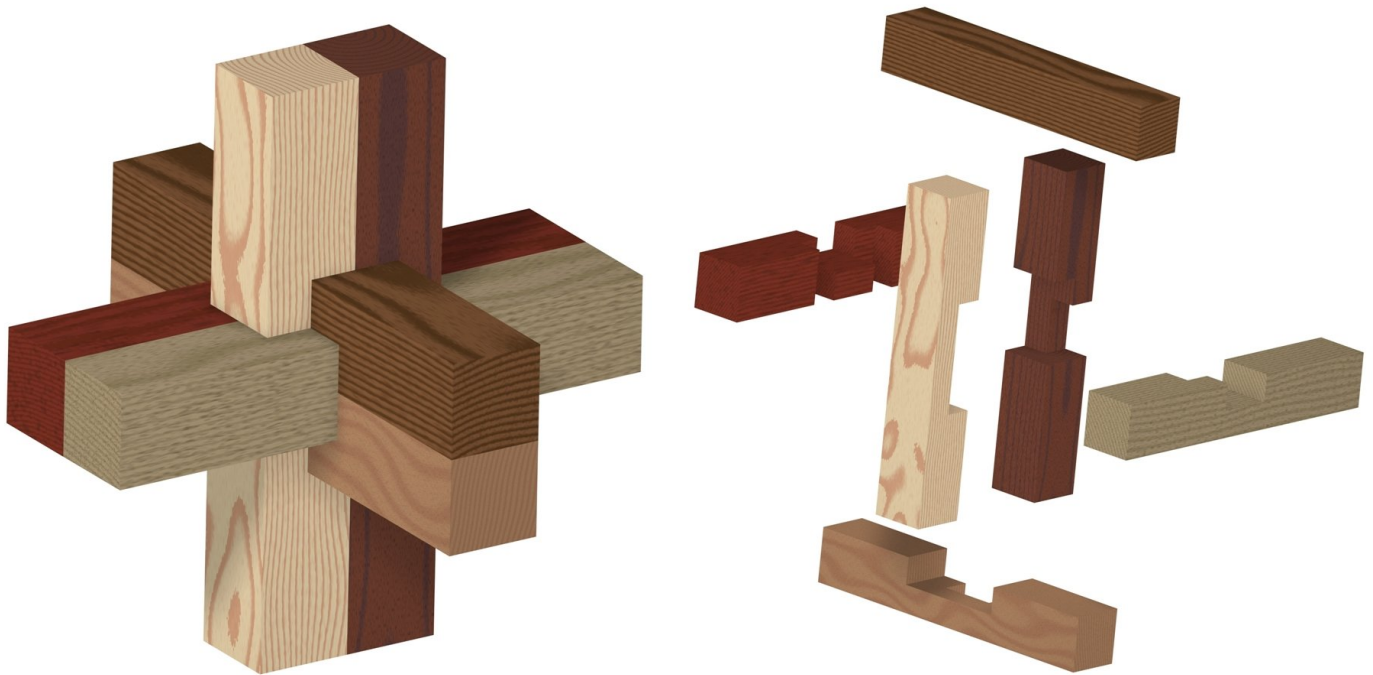
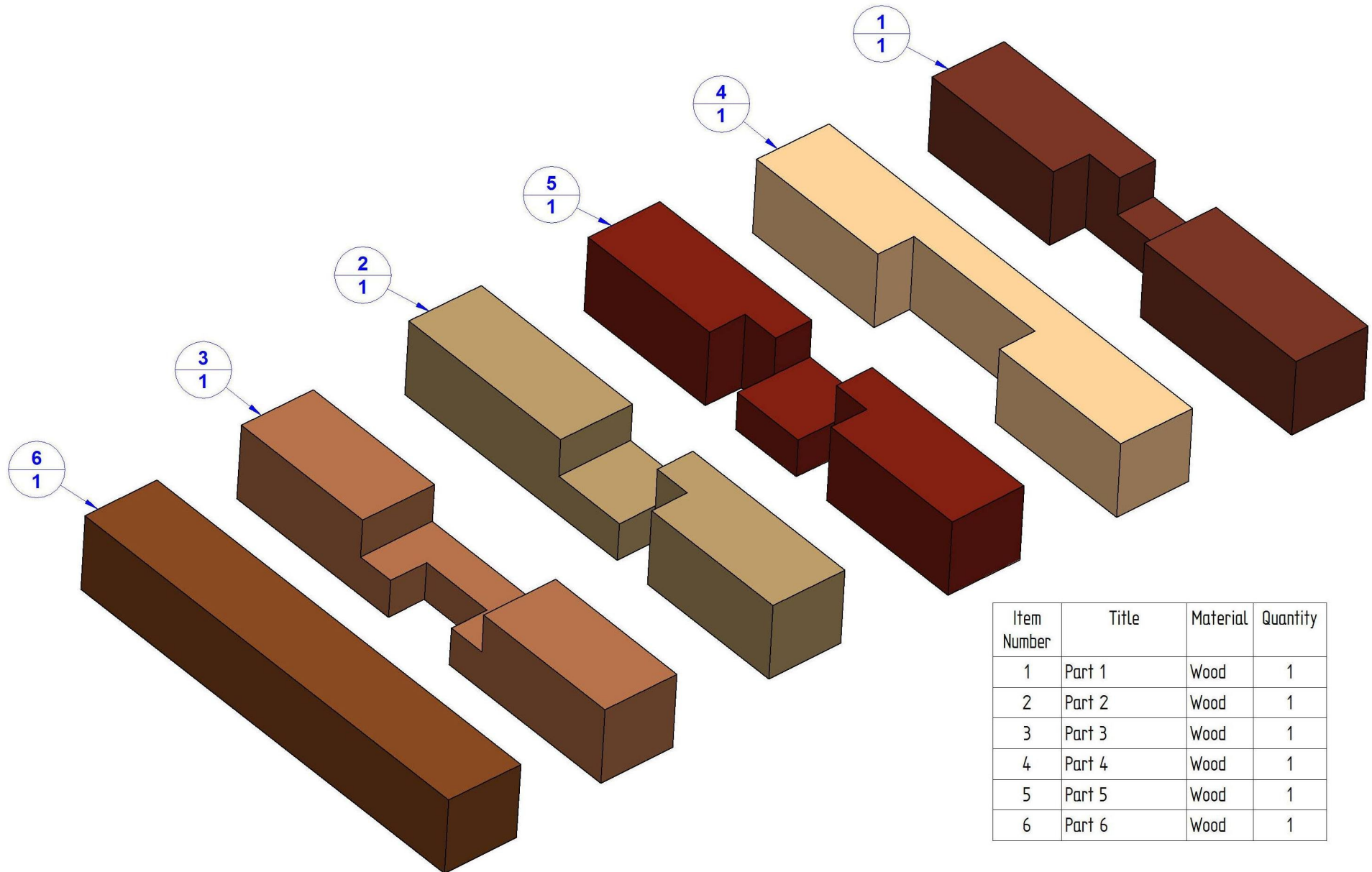


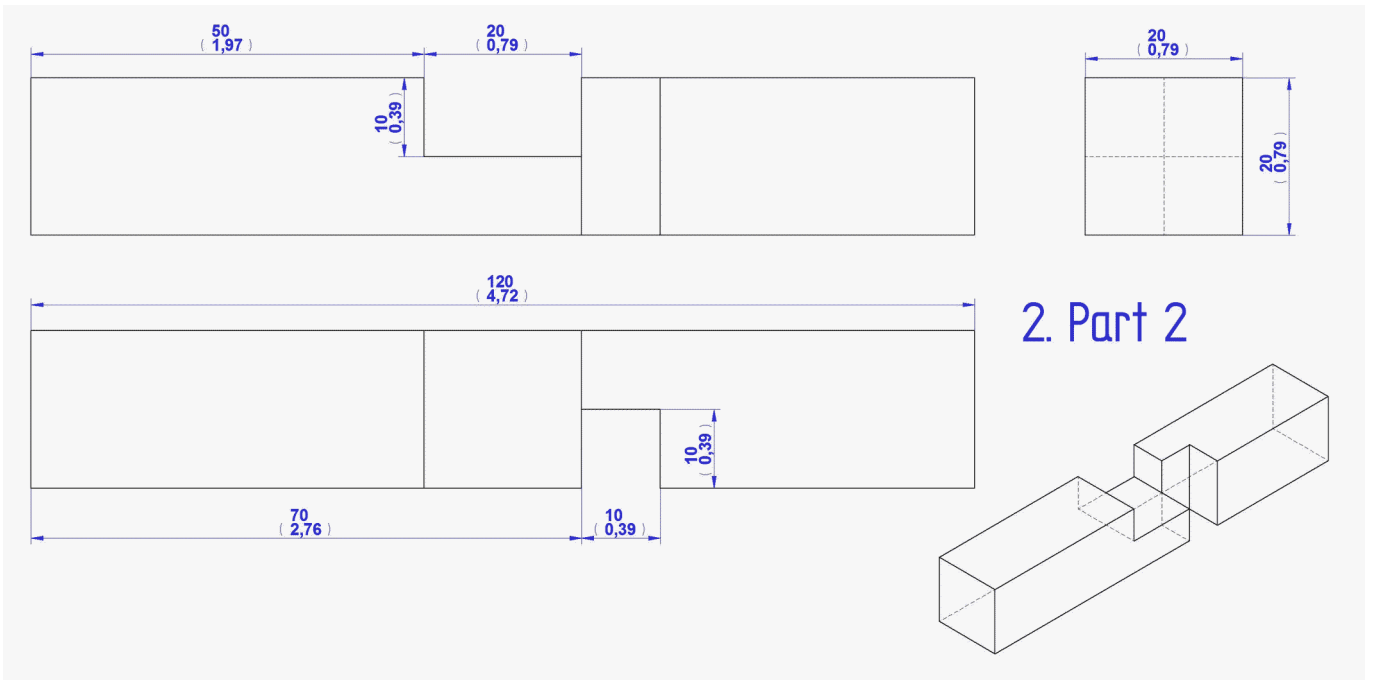
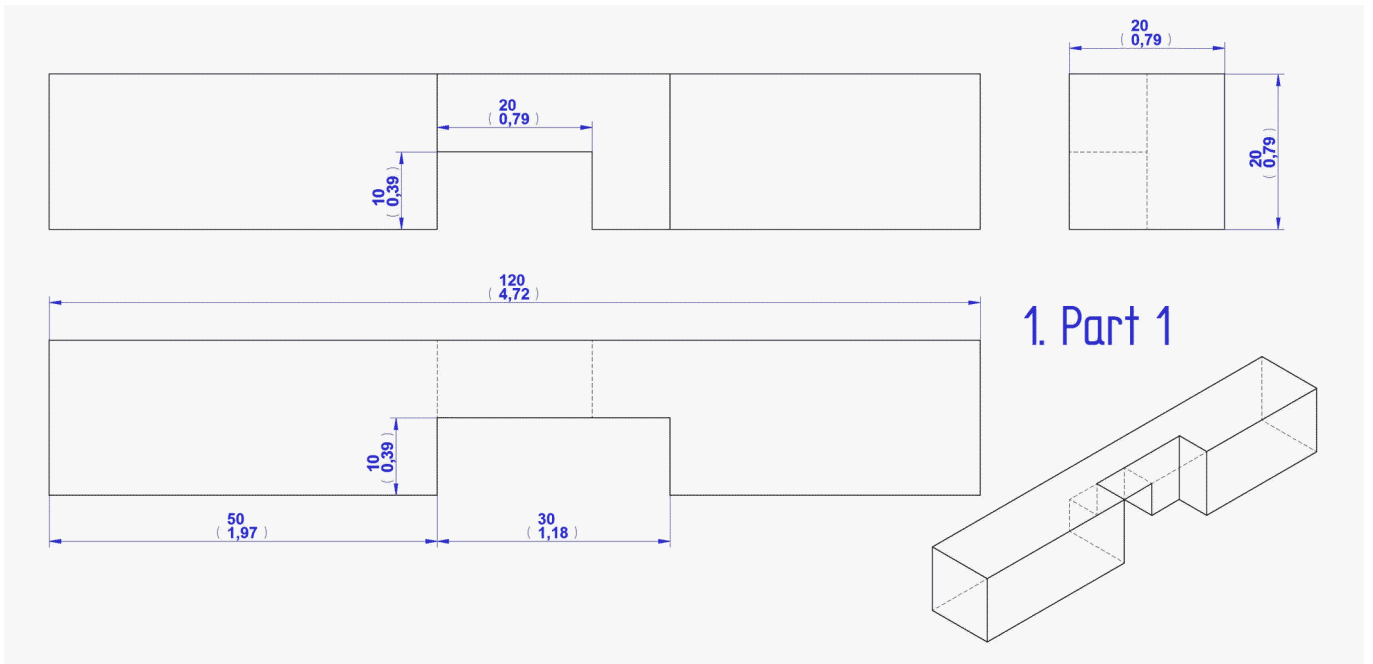
Six-piece burr puzzle (without internal voids) plan

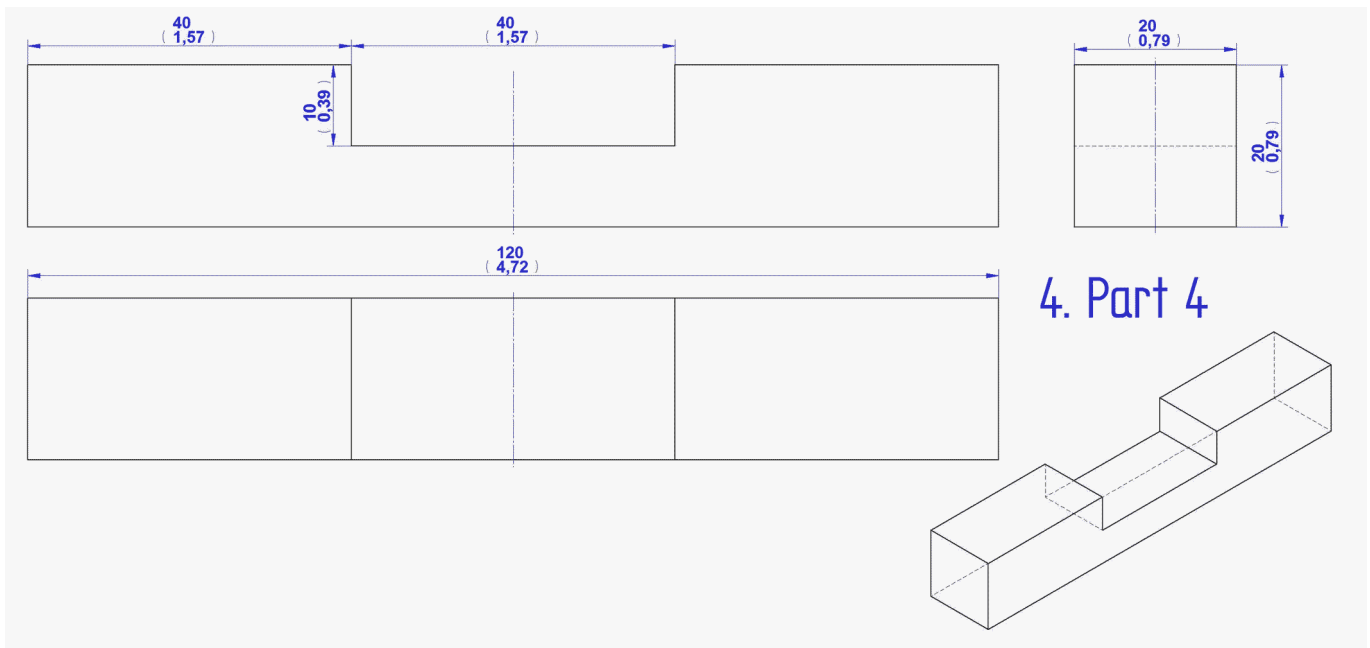
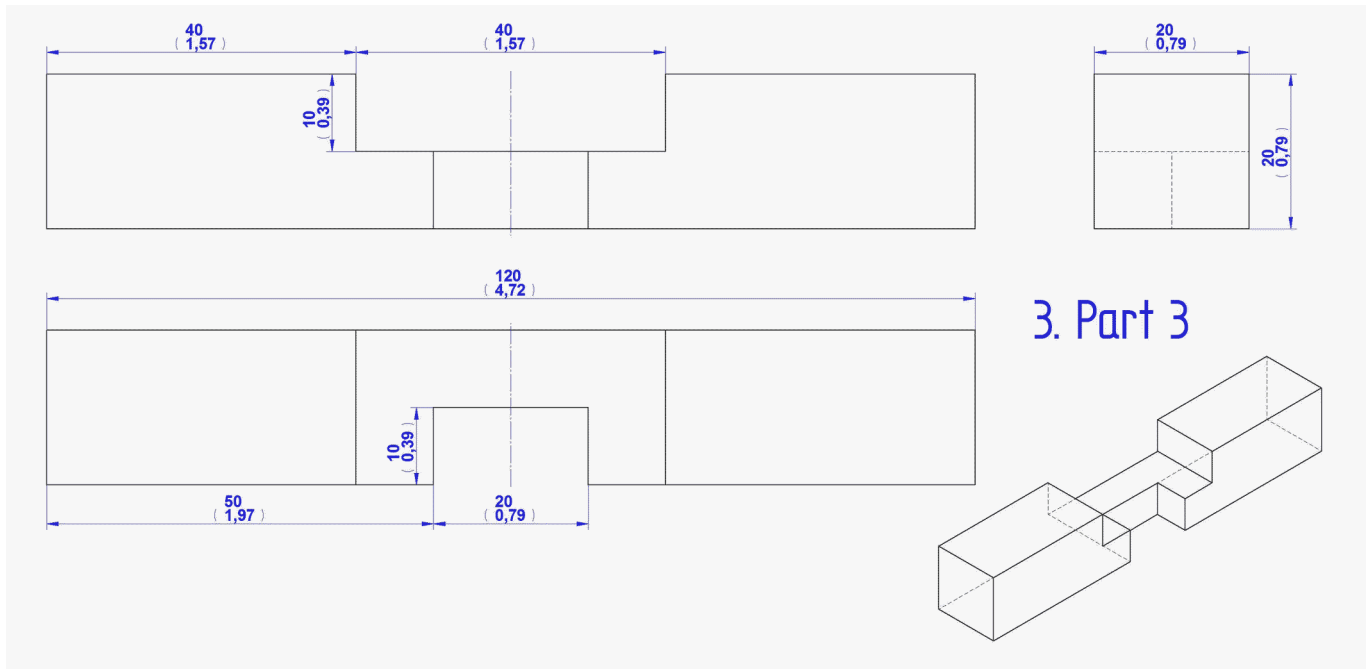


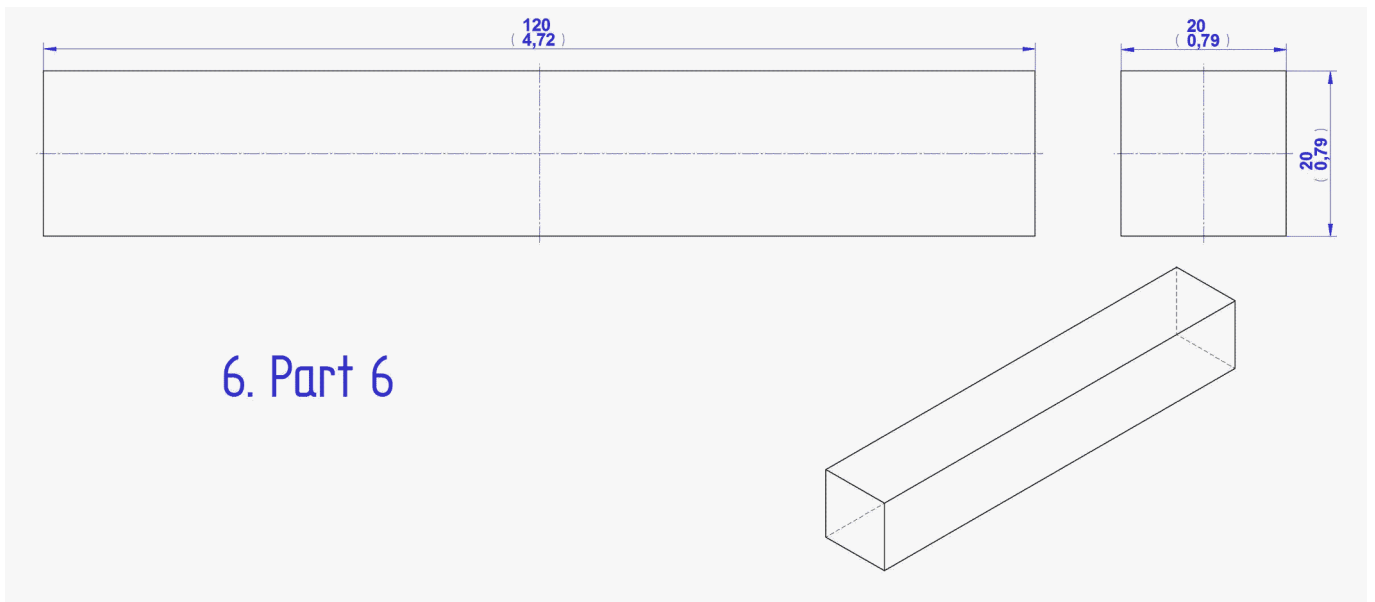
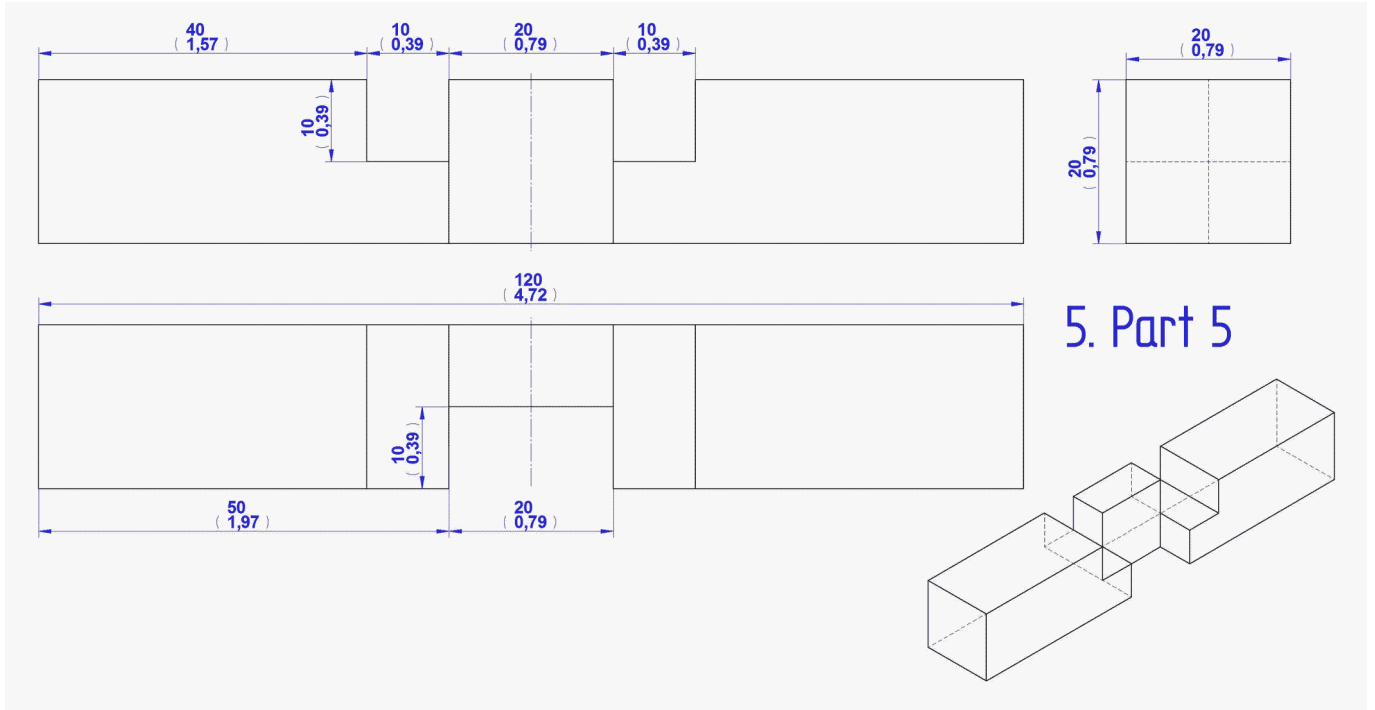
Parts List



Item Number	Title	Material	Quantity
1	Part 1	Wood	1
2	Part 2	Wood	1
3	Part 3	Wood	1
4	Part 4	Wood	1
5	Part 5	Wood	1
6	Part 6	Wood	1

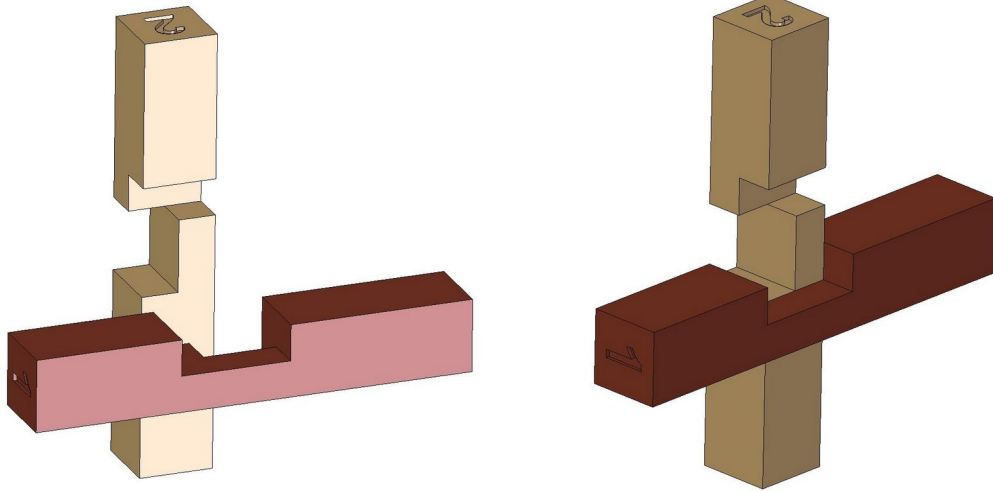




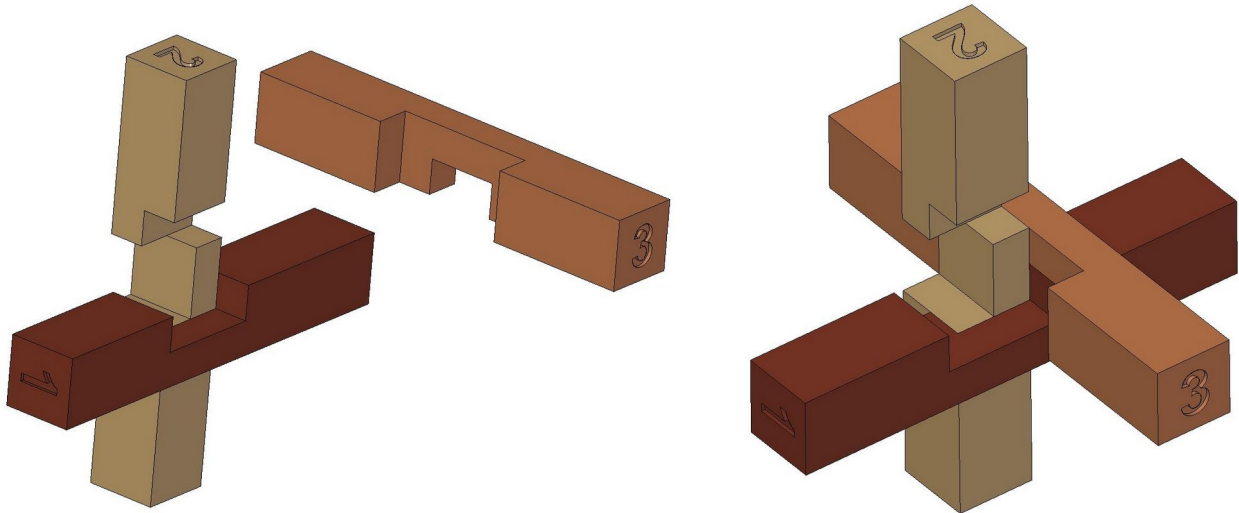


Solution

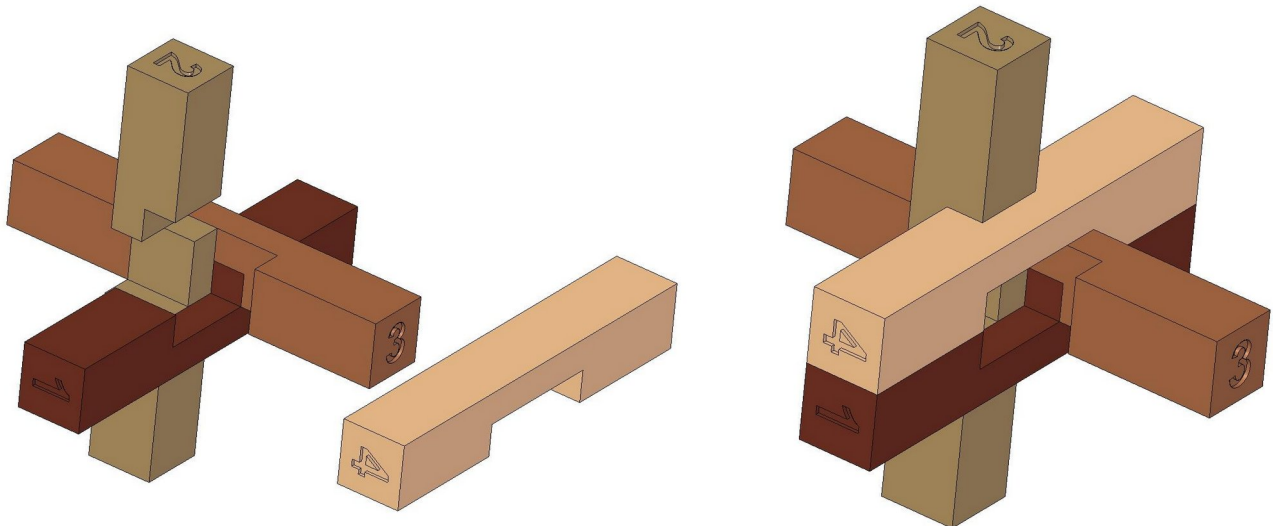
Step 1



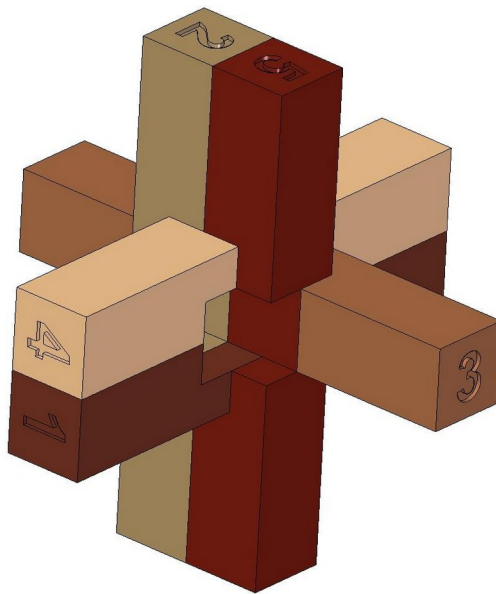
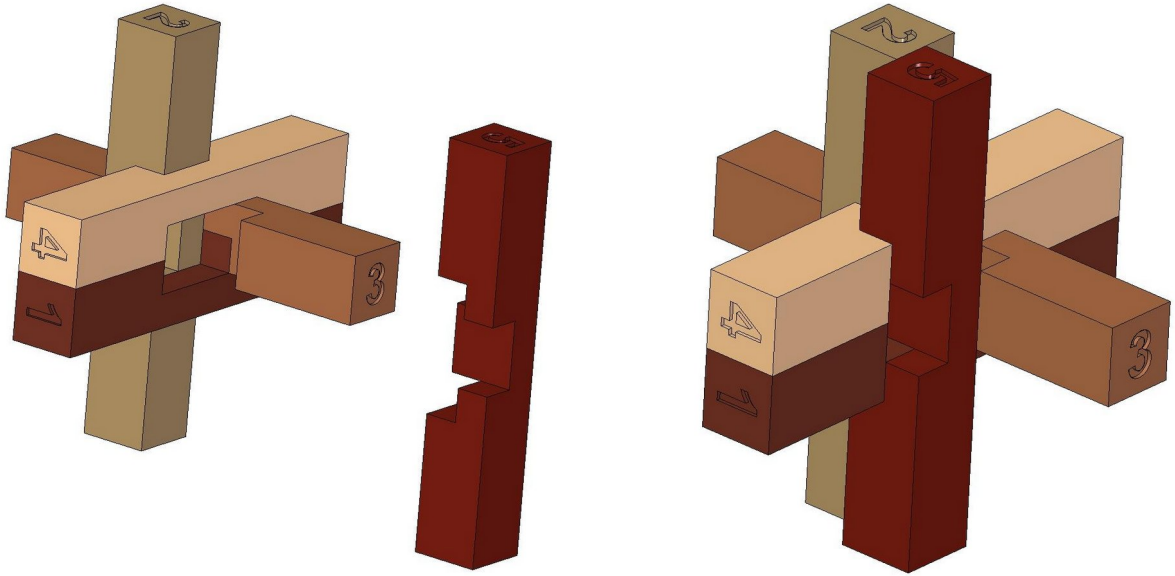
Step 2



Step 3



Step 4



Step 5

