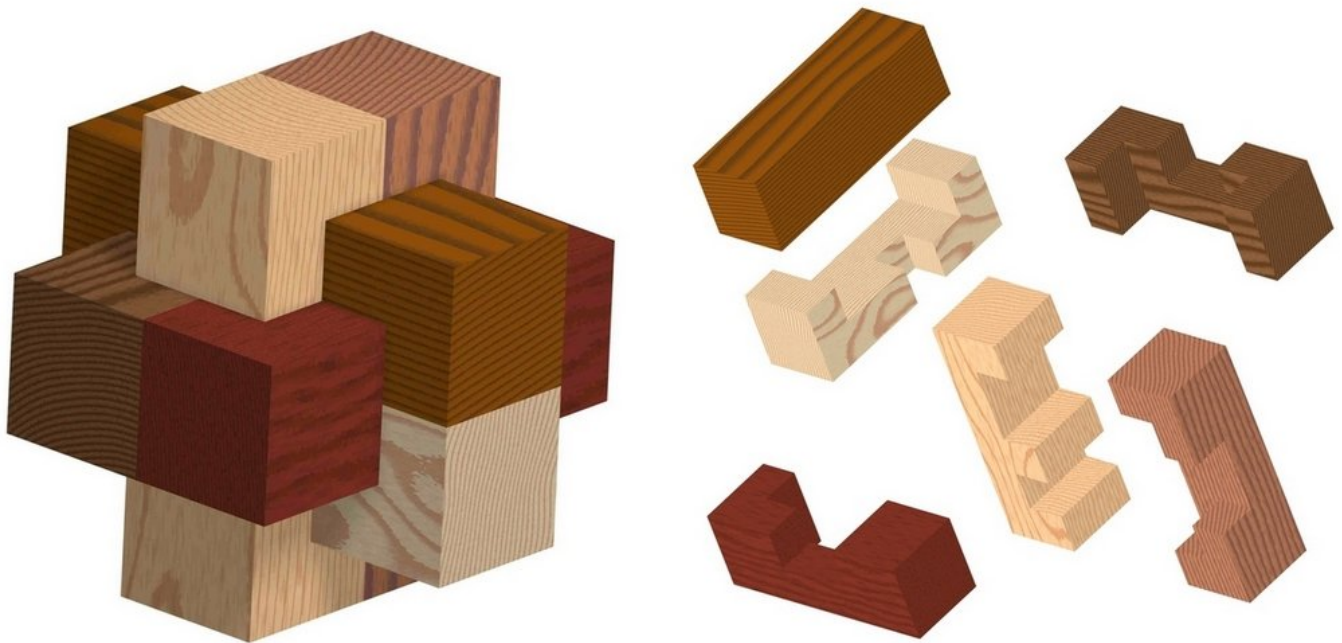
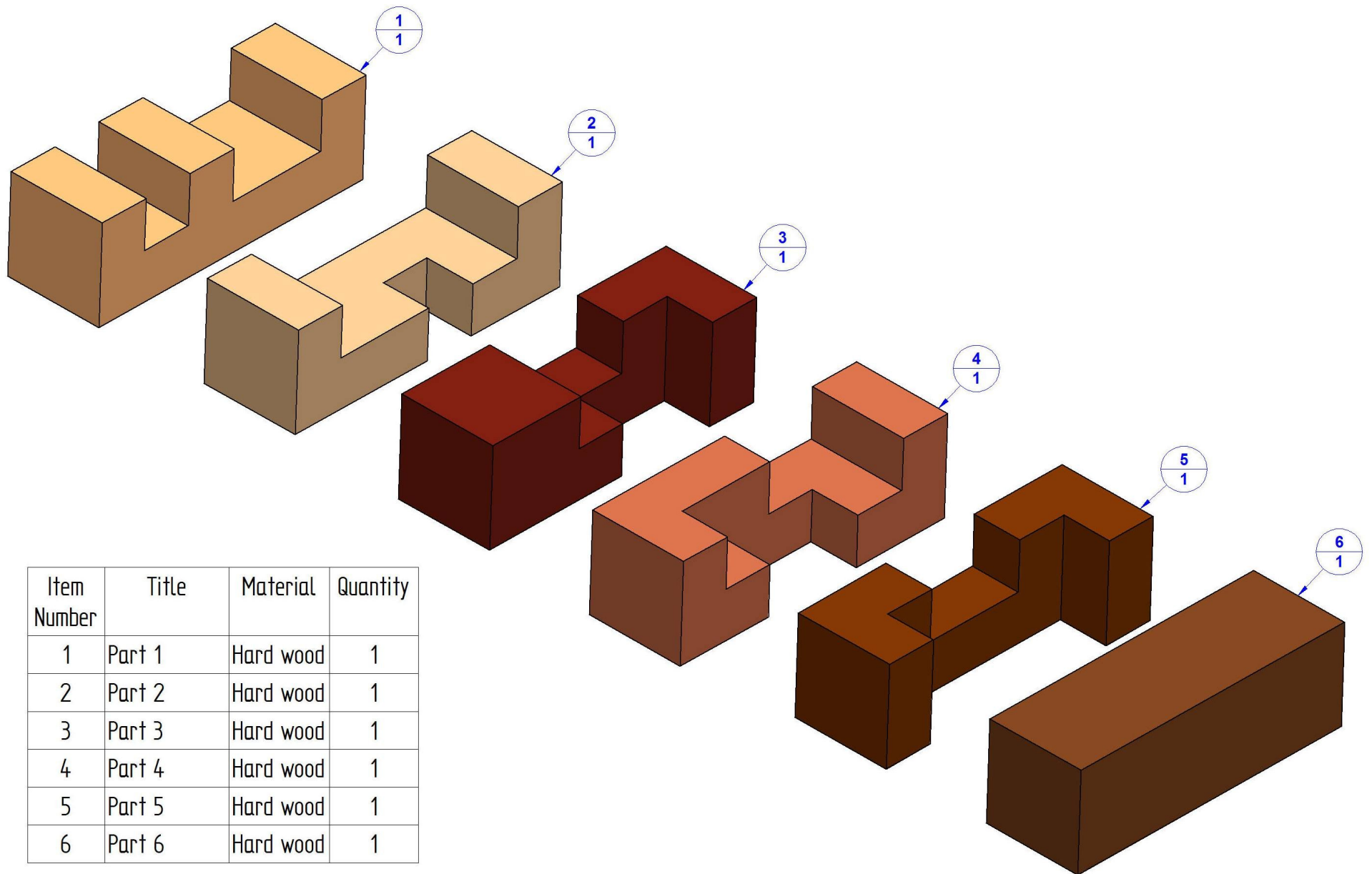


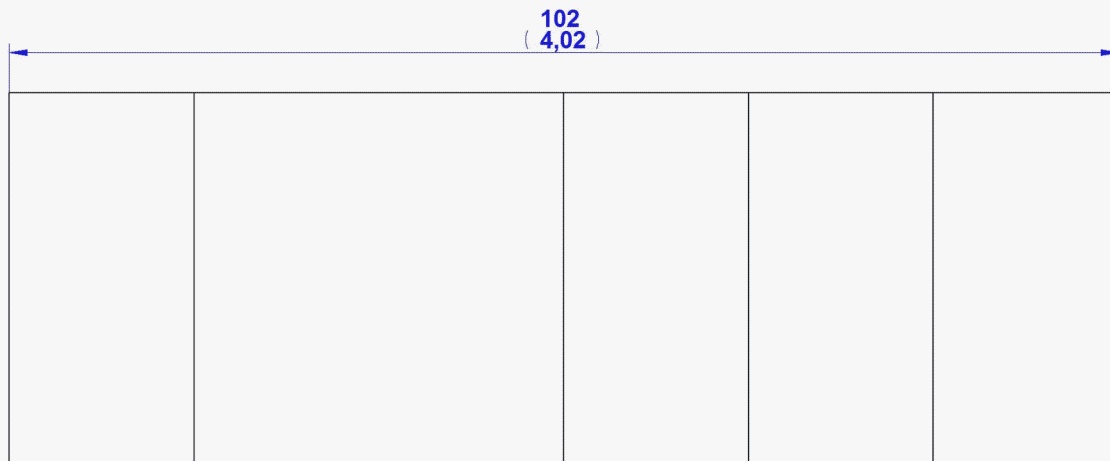
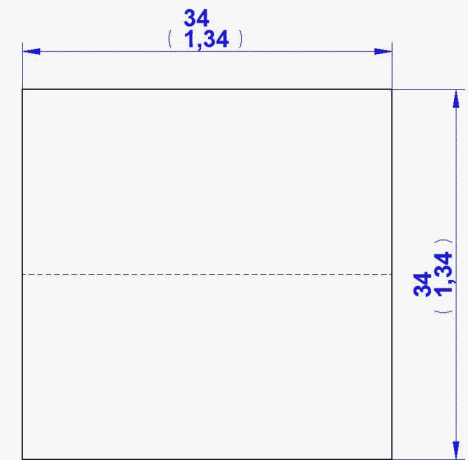
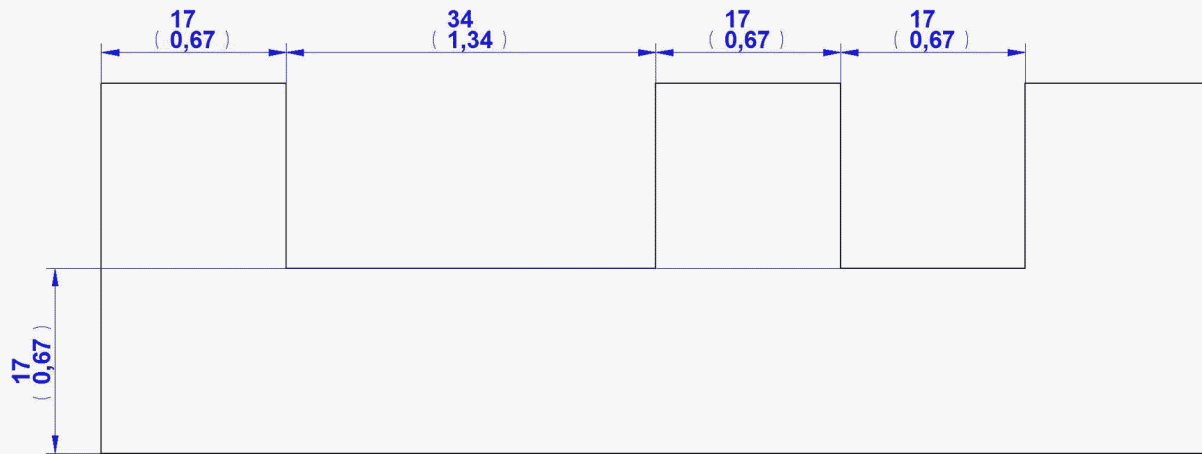
Six-piece burr puzzle (with simple notches) plan



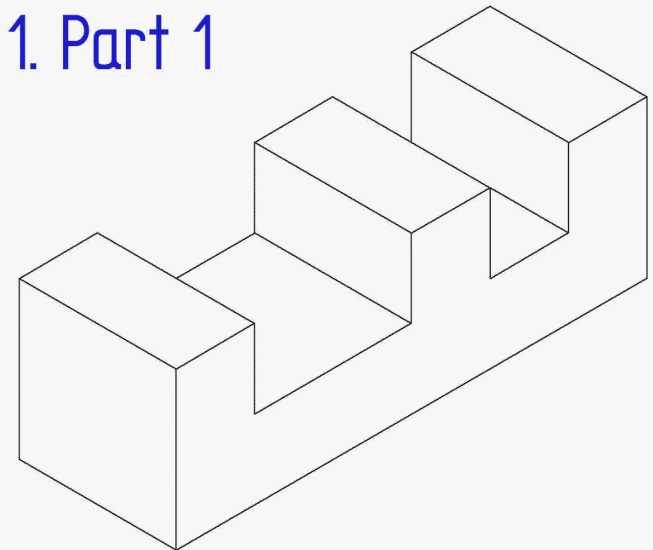
Parts List

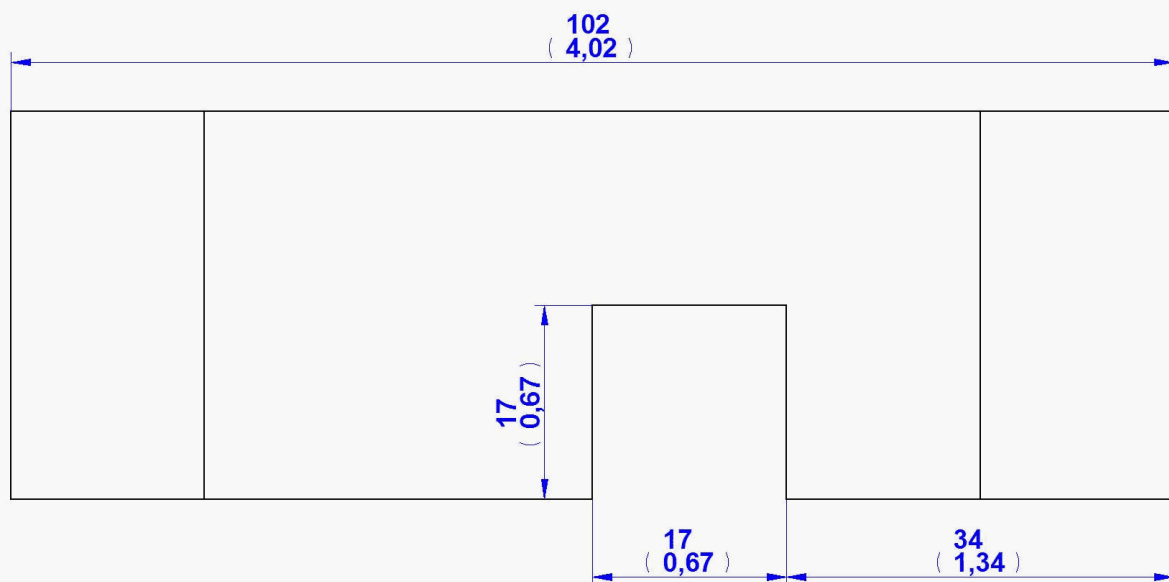
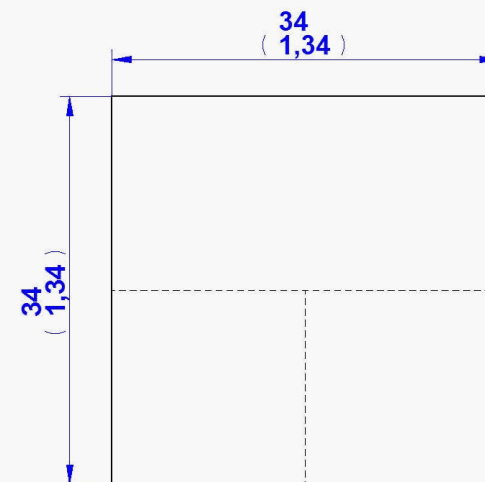
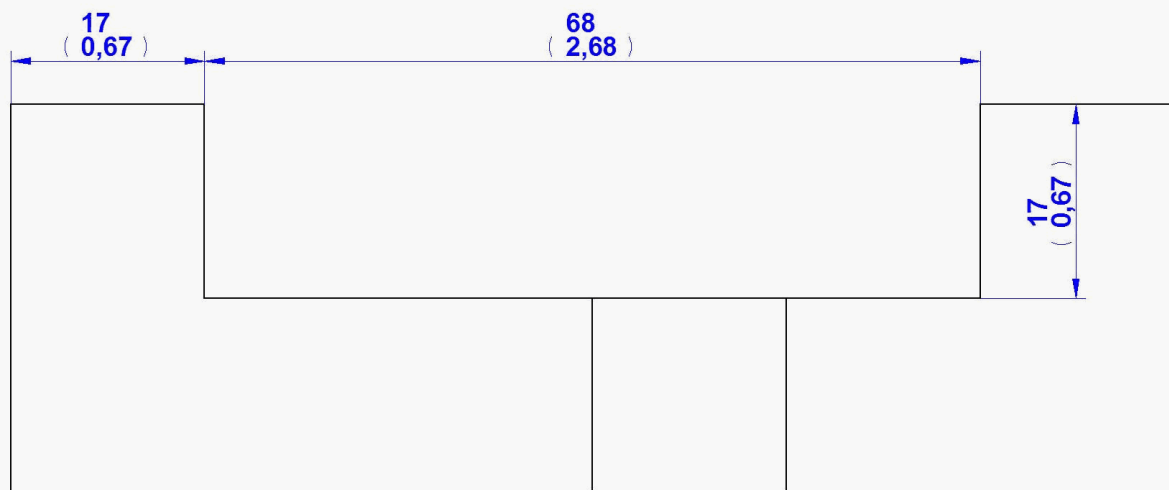


Item Number	Title	Material	Quantity
1	Part 1	Hard wood	1
2	Part 2	Hard wood	1
3	Part 3	Hard wood	1
4	Part 4	Hard wood	1
5	Part 5	Hard wood	1
6	Part 6	Hard wood	1

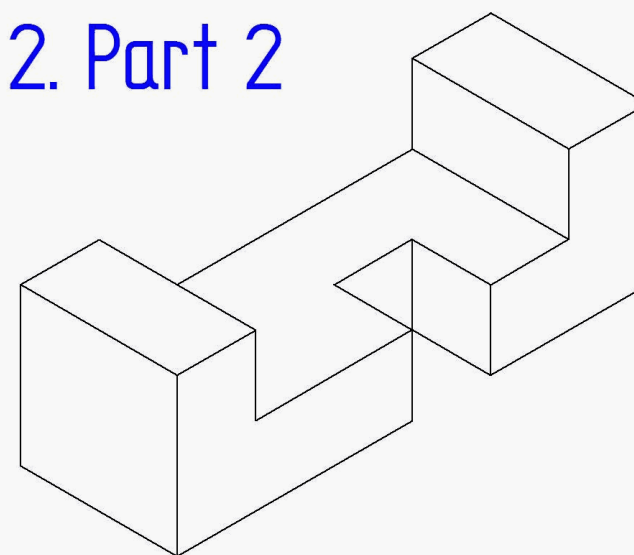


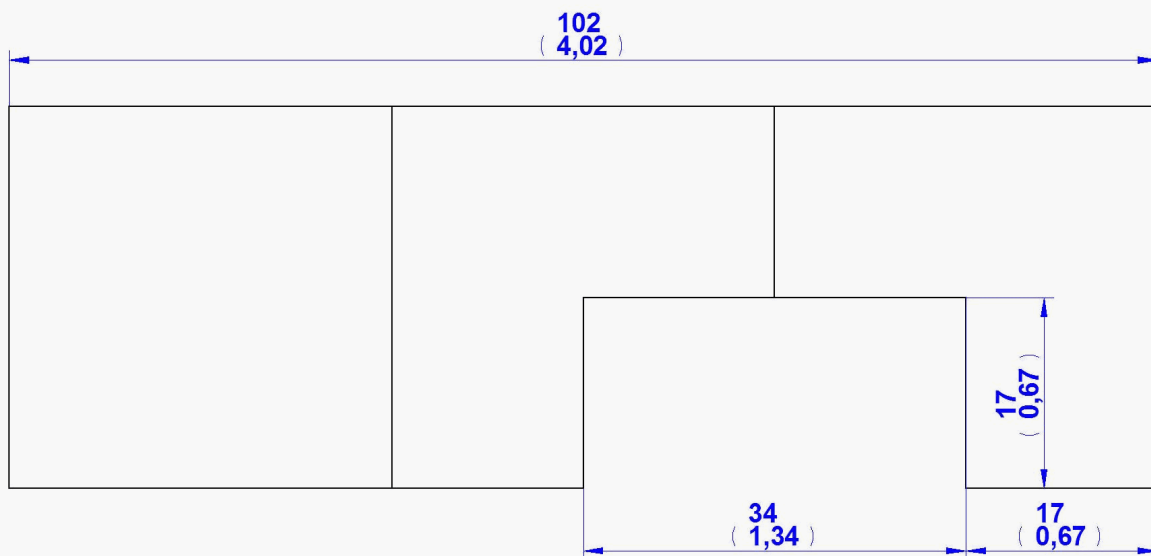
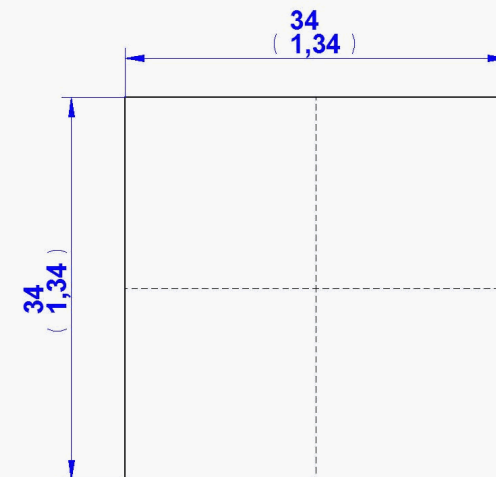
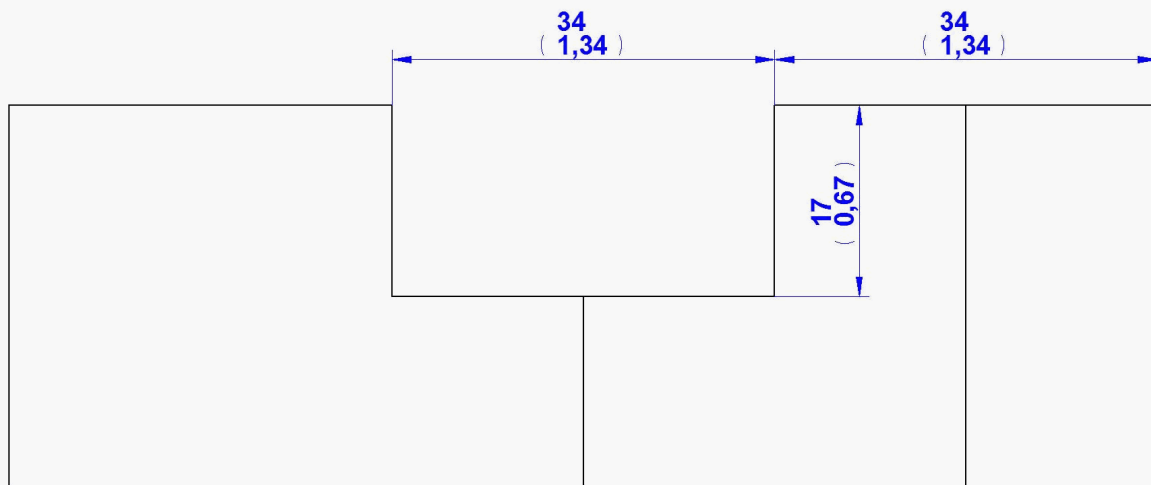
1. Part 1



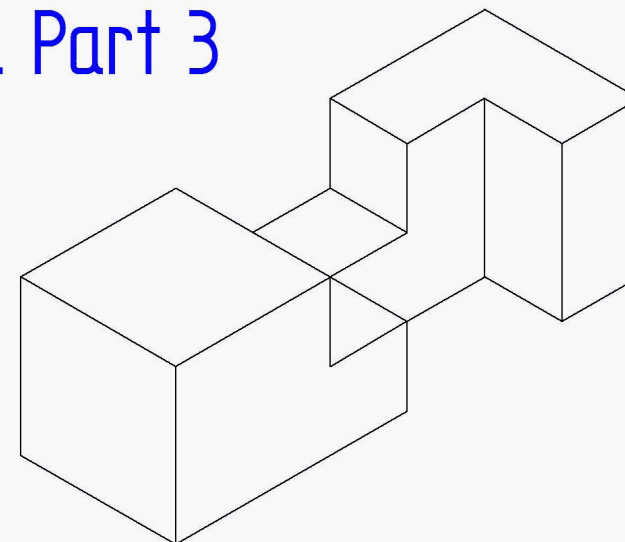


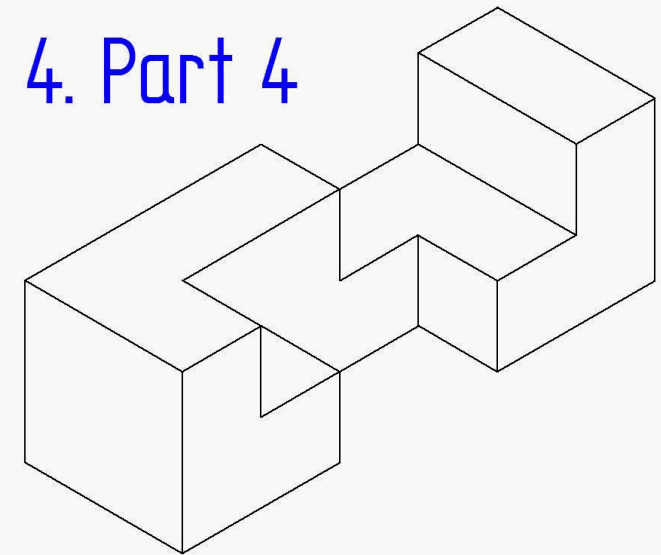
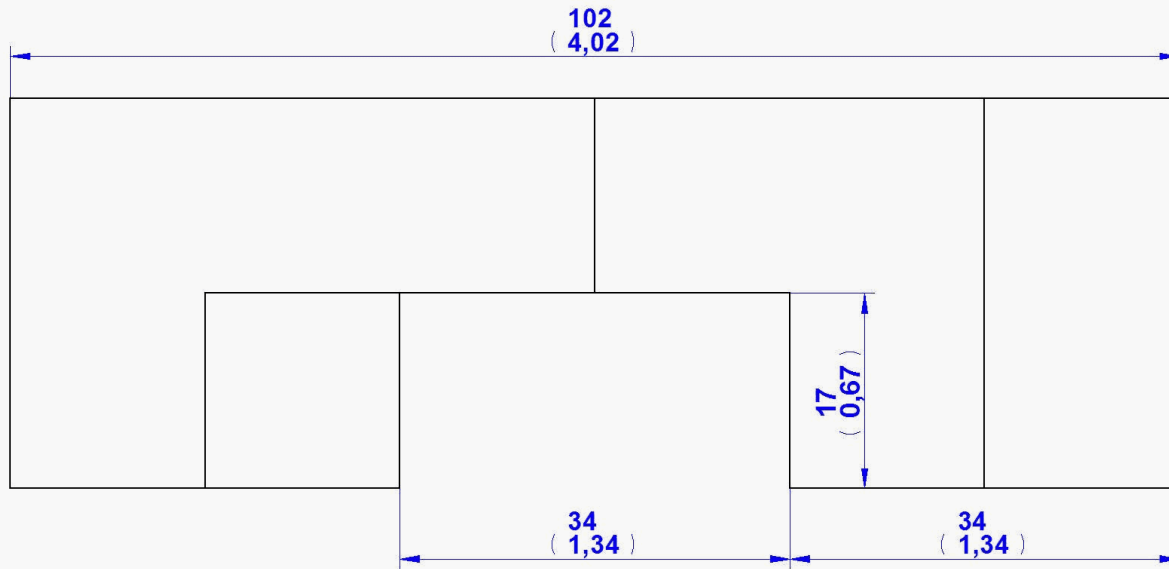
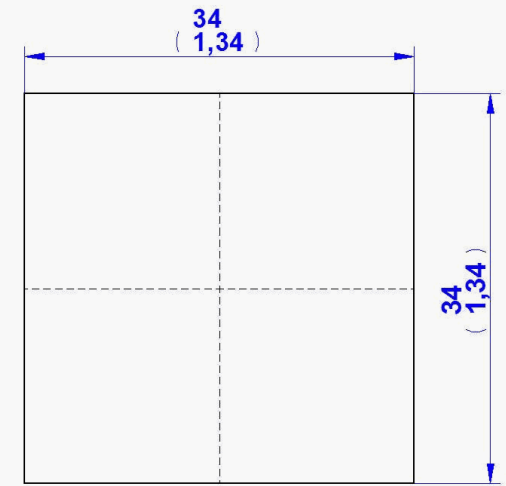
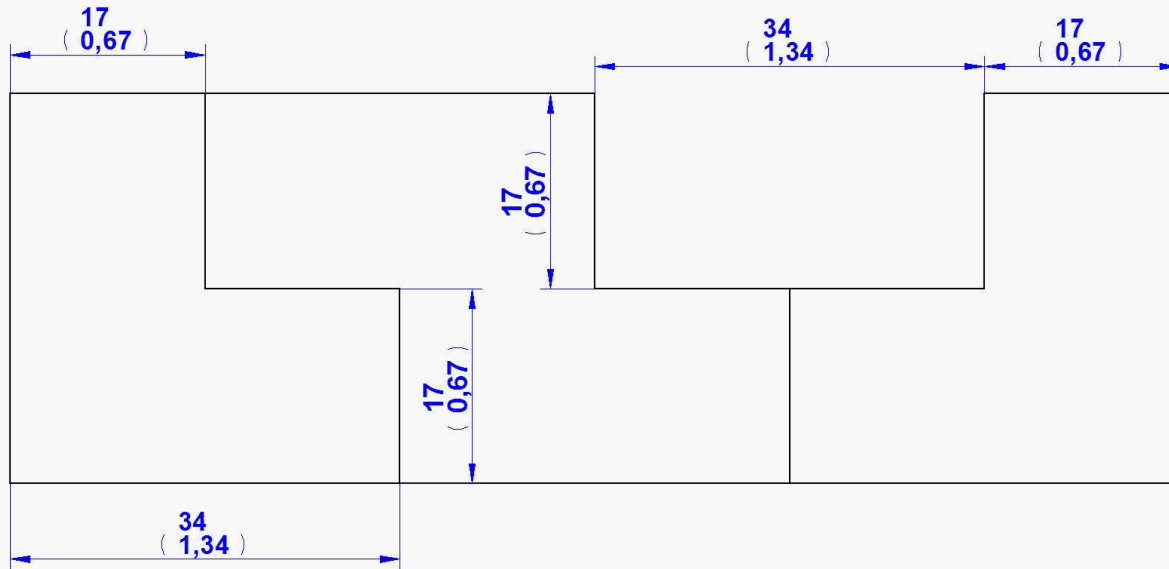
2. Part 2

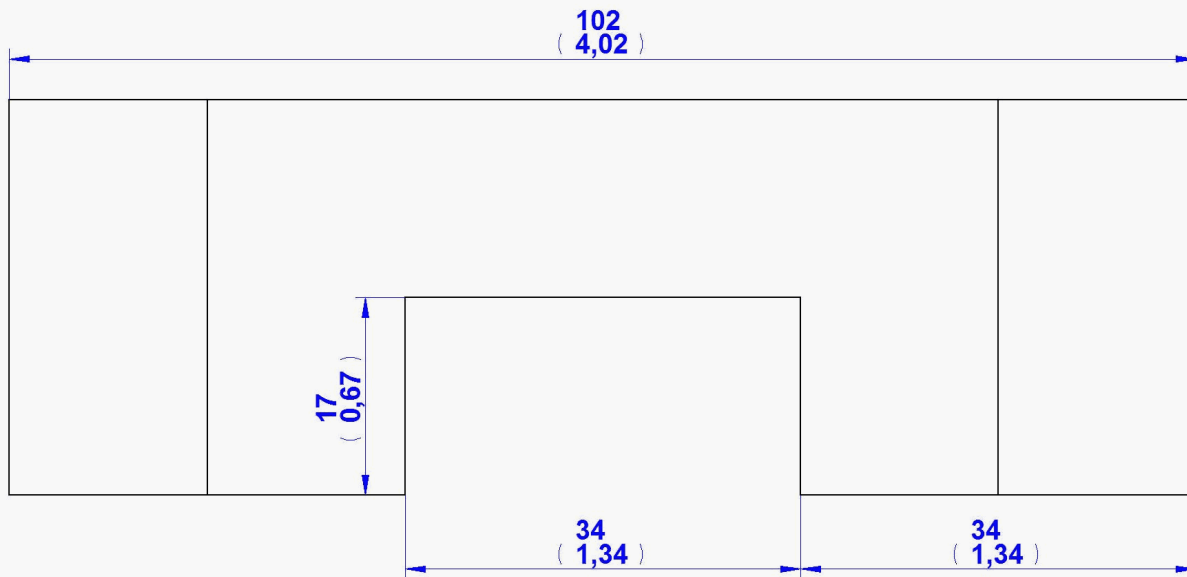
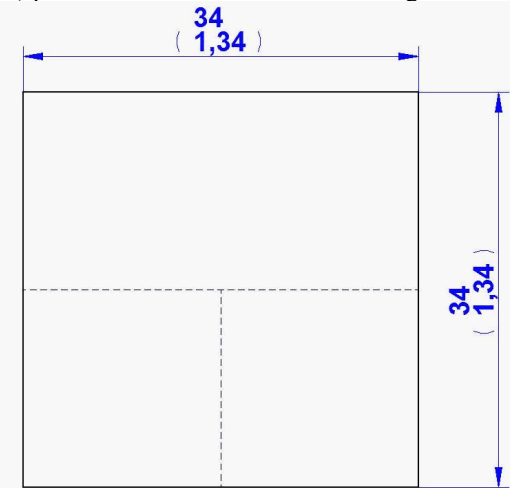
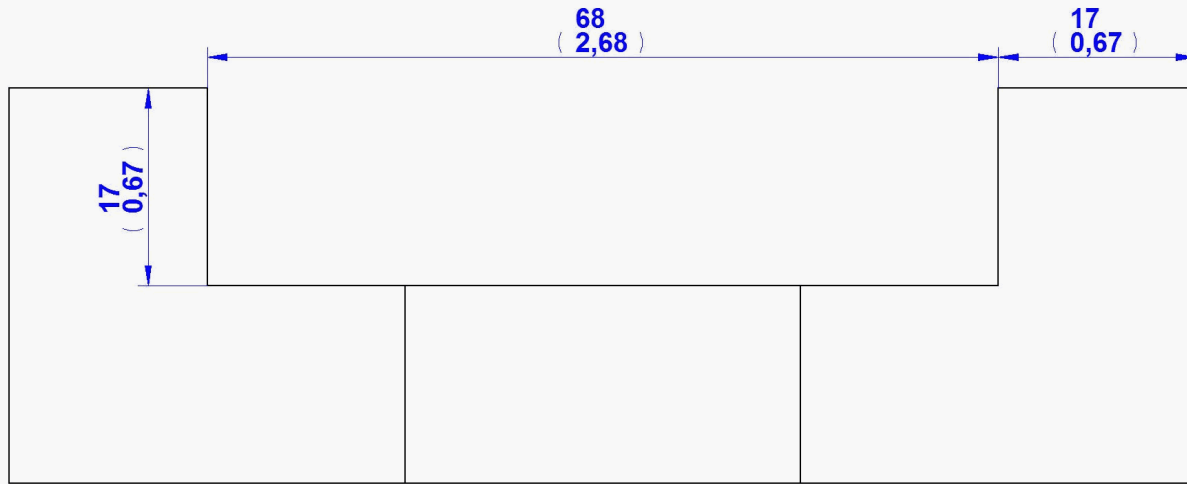




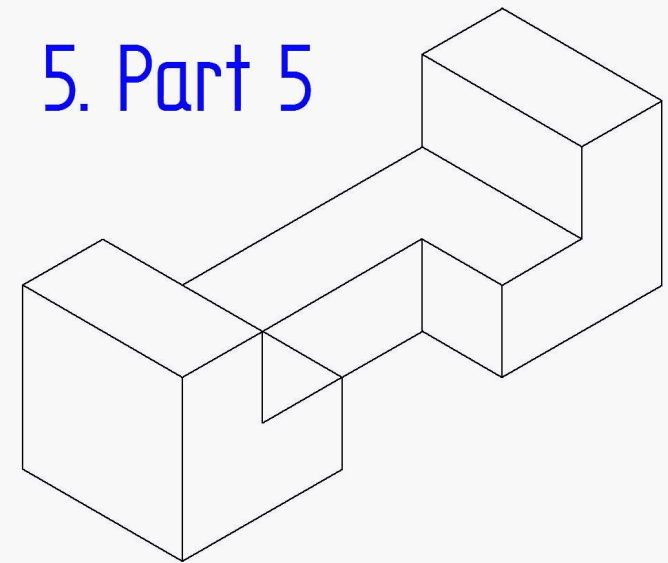
3. Part 3

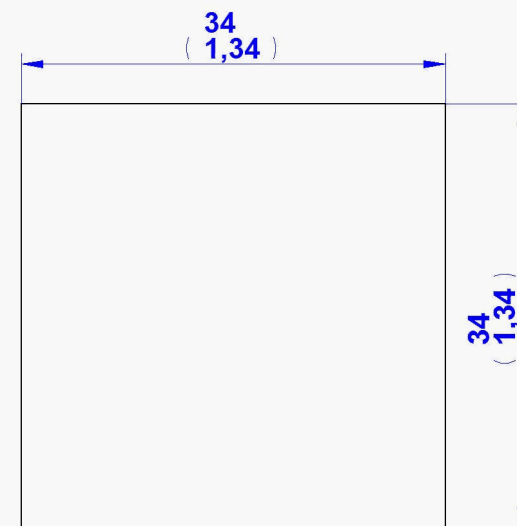
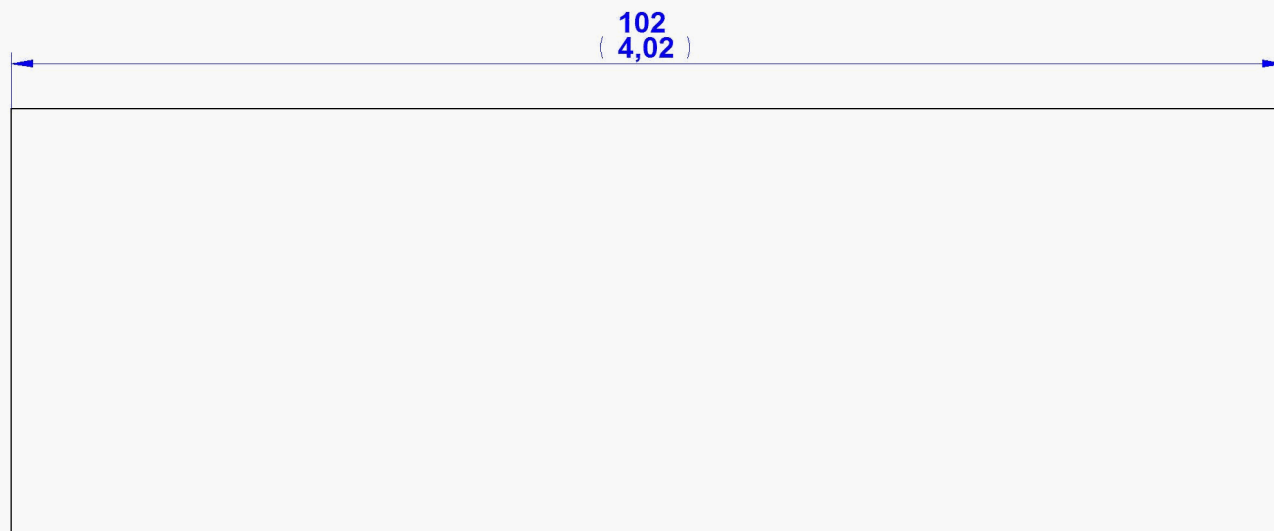




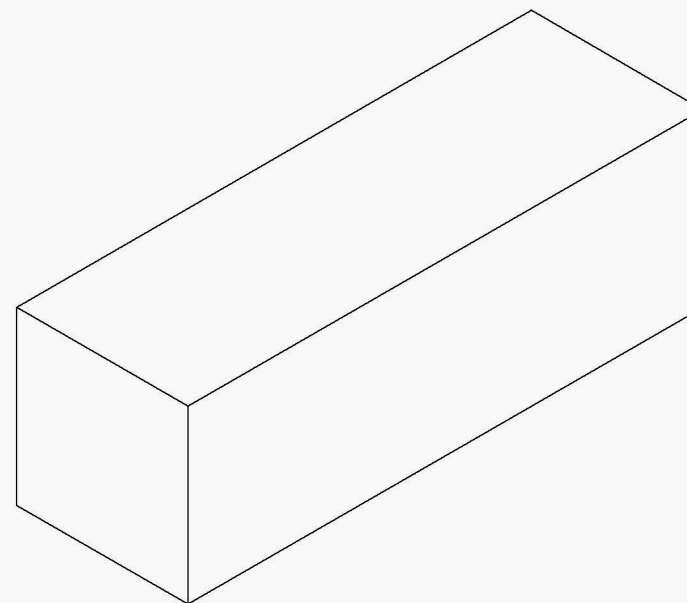


5. Part 5



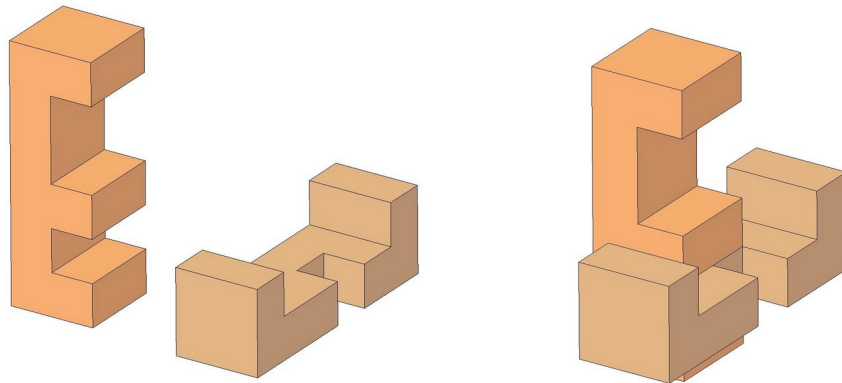


6. Part 6

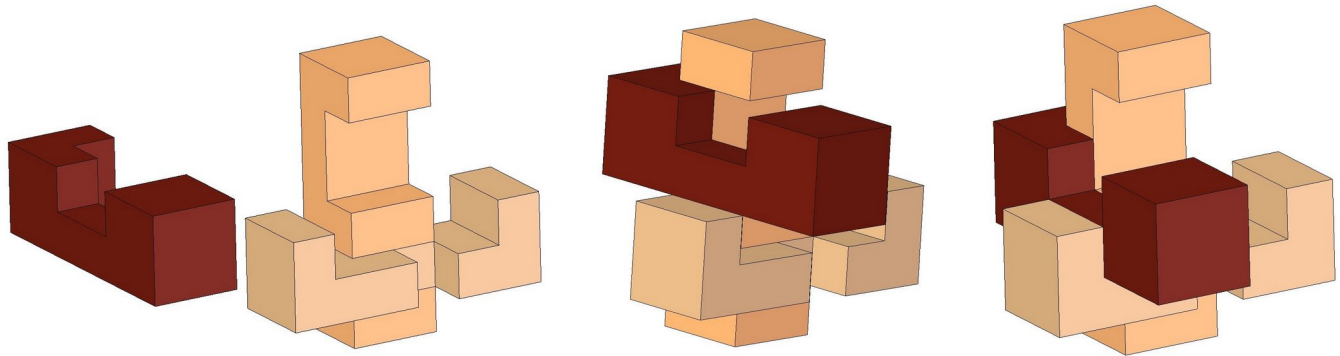


SOLUTION

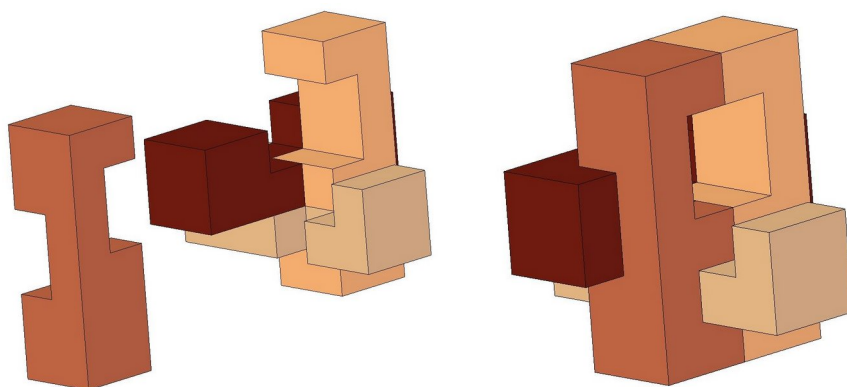
Step 1 – Items PART 1 and PART 2



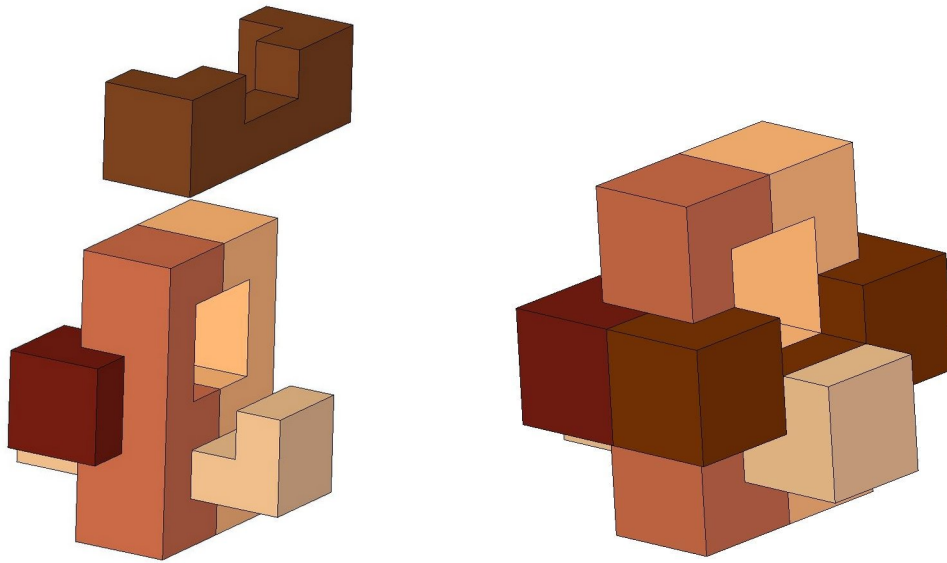
Step 2 – Item Part 3



Step 3 – Item Part 4



Step 4 – Item Part 5



Step 5 – Item Part 6

