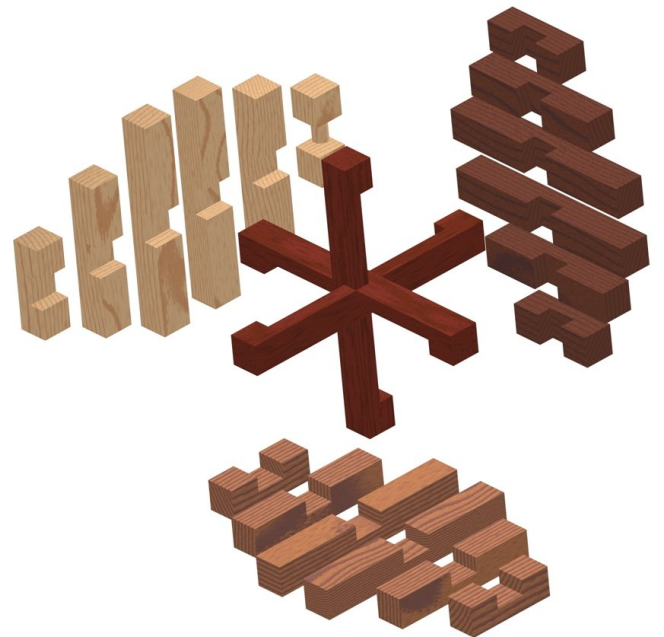
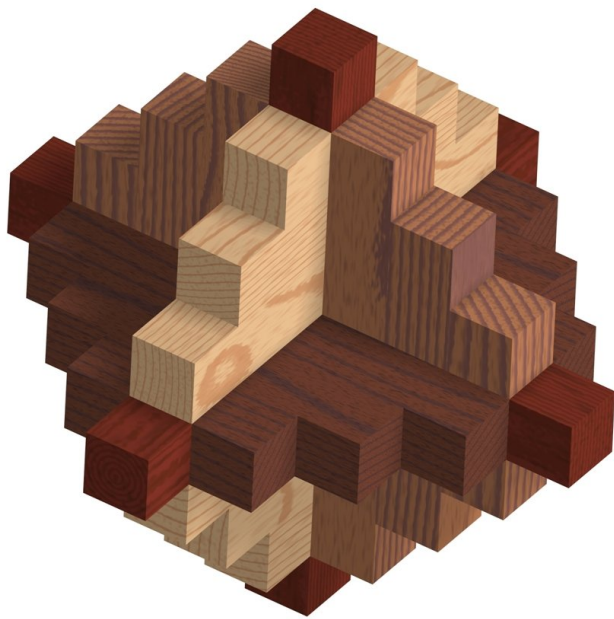
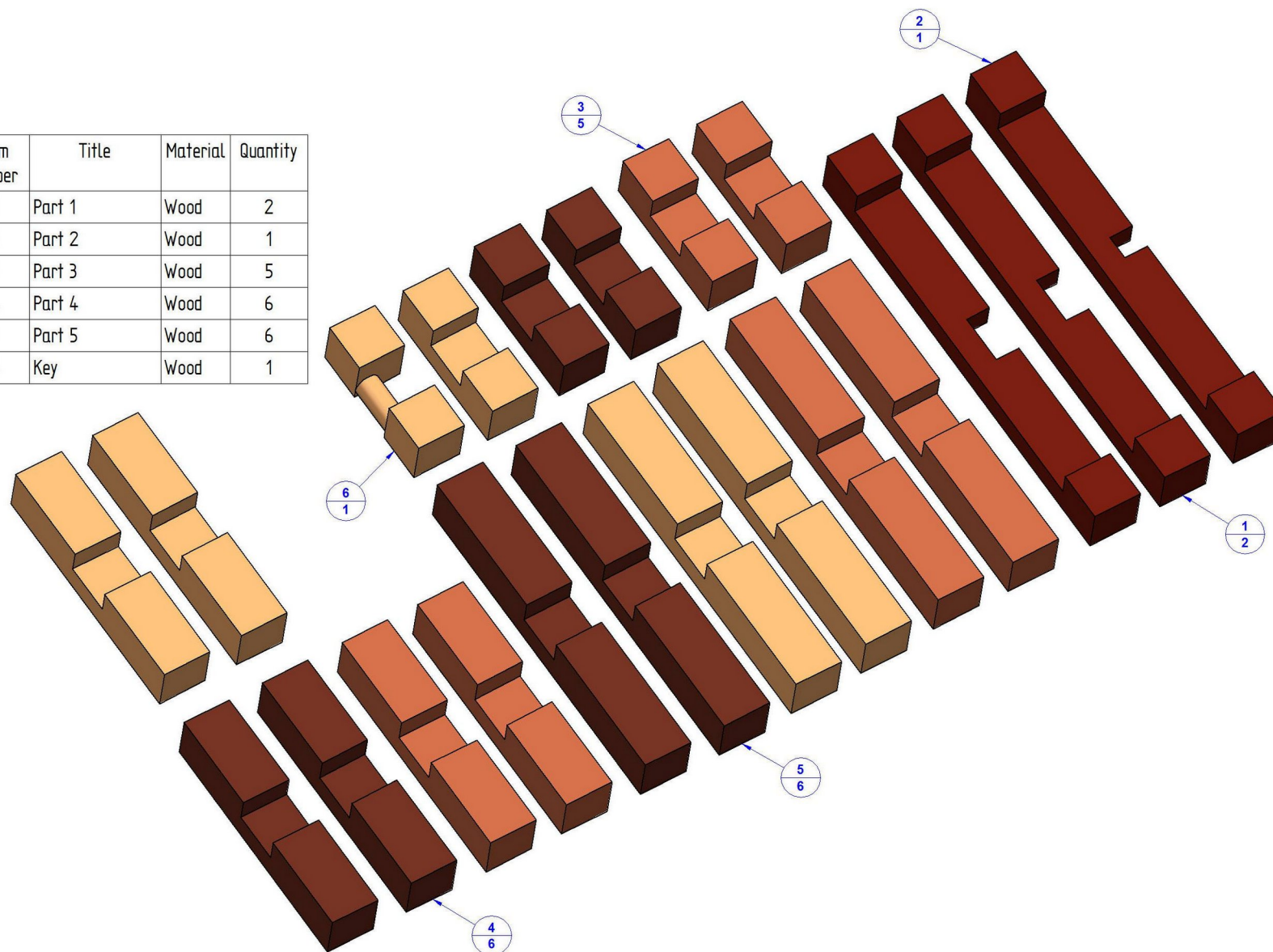


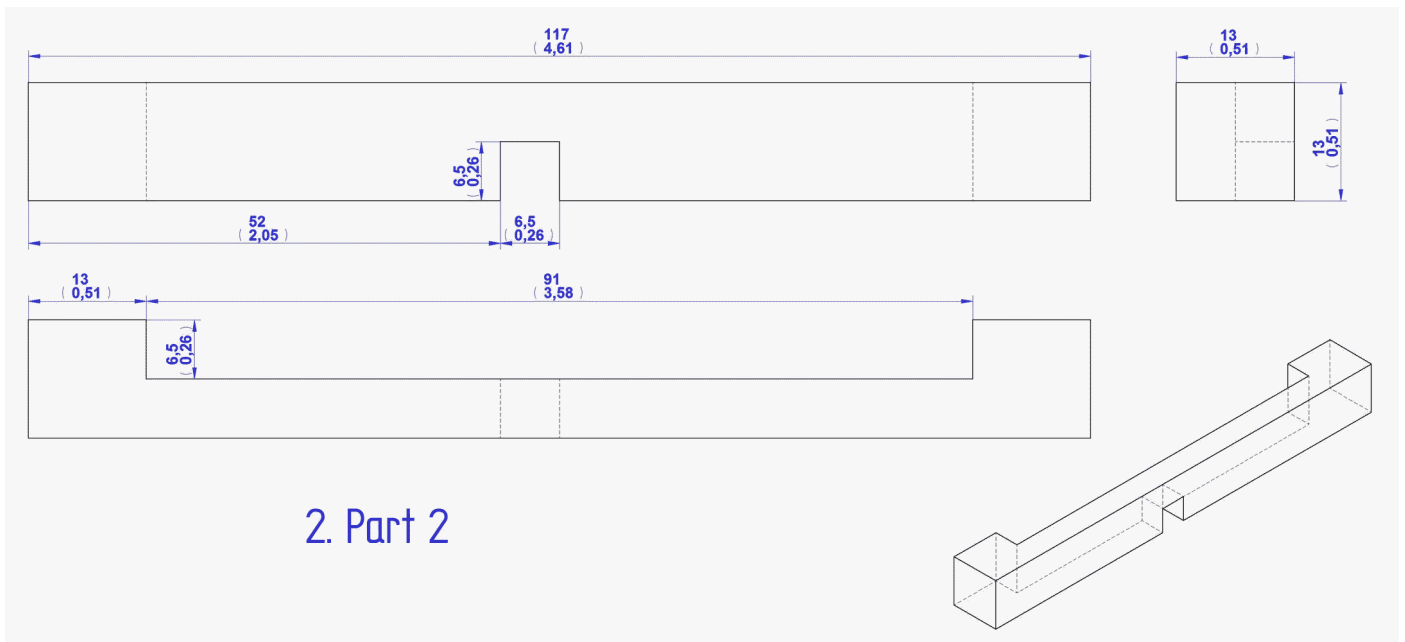
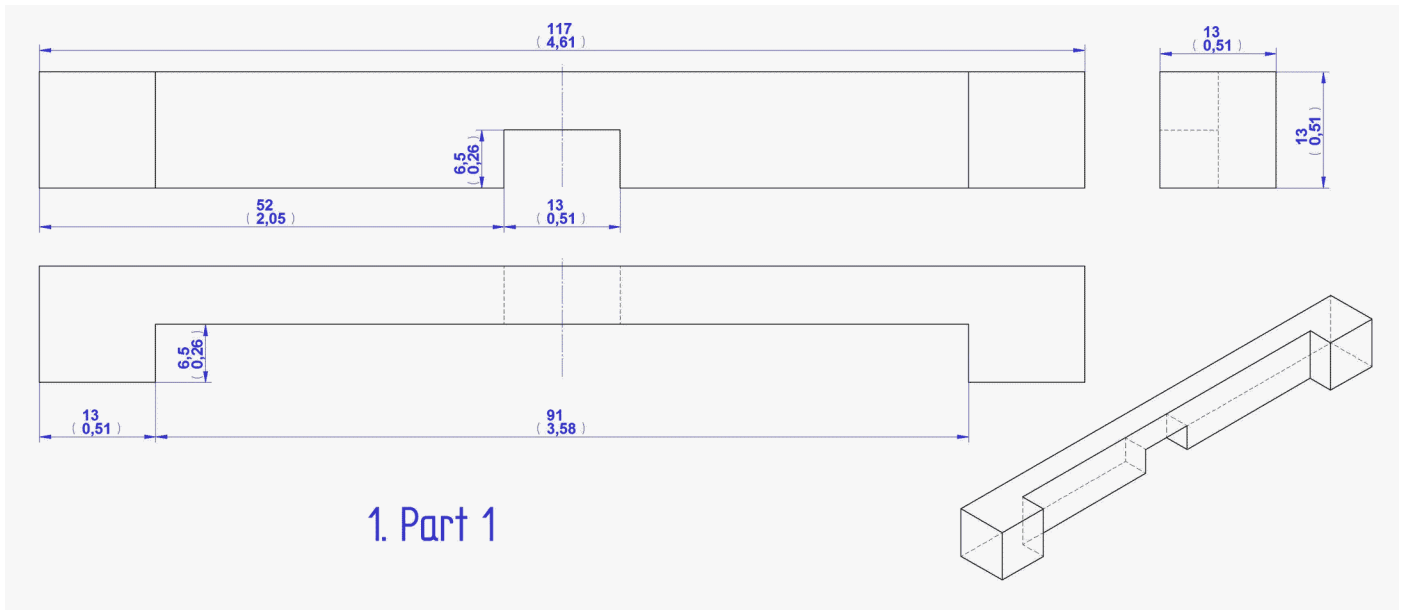
Twenty-one-piece burr puzzle plan

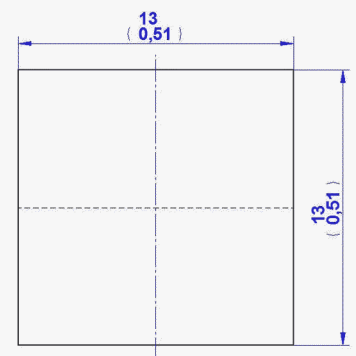
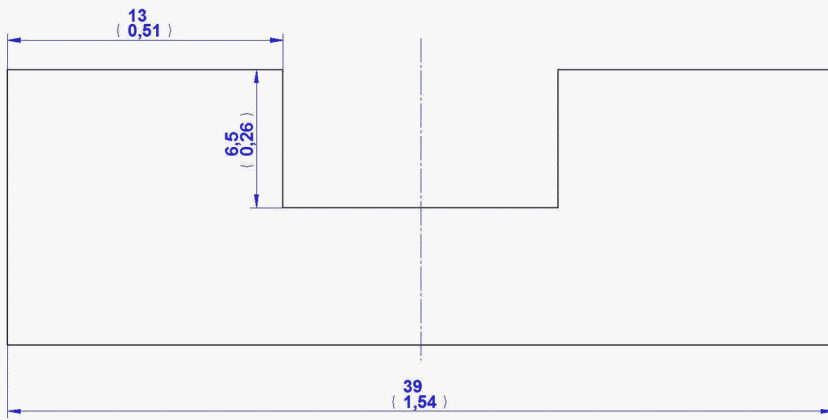


Parts List

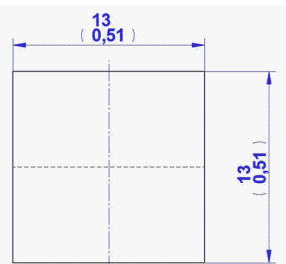
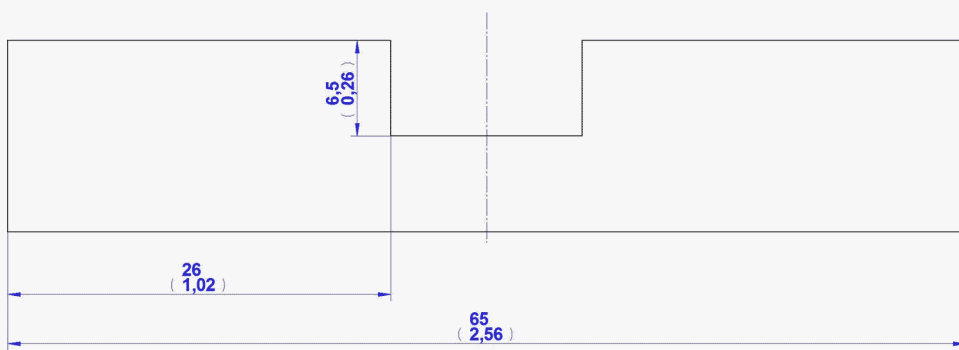
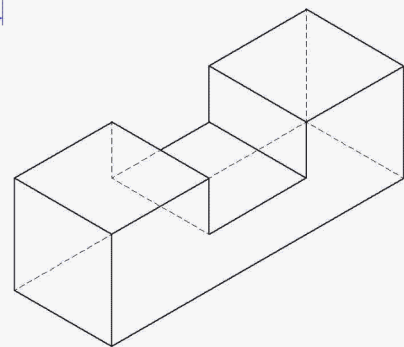
Item Number	Title	Material	Quantity
1	Part 1	Wood	2
2	Part 2	Wood	1
3	Part 3	Wood	5
4	Part 4	Wood	6
5	Part 5	Wood	6
6	Key	Wood	1



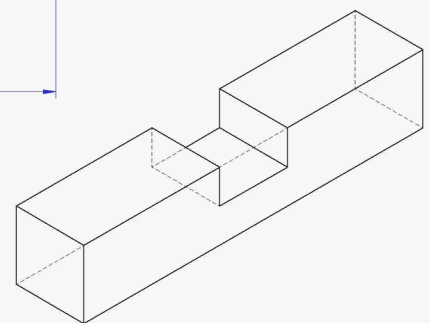


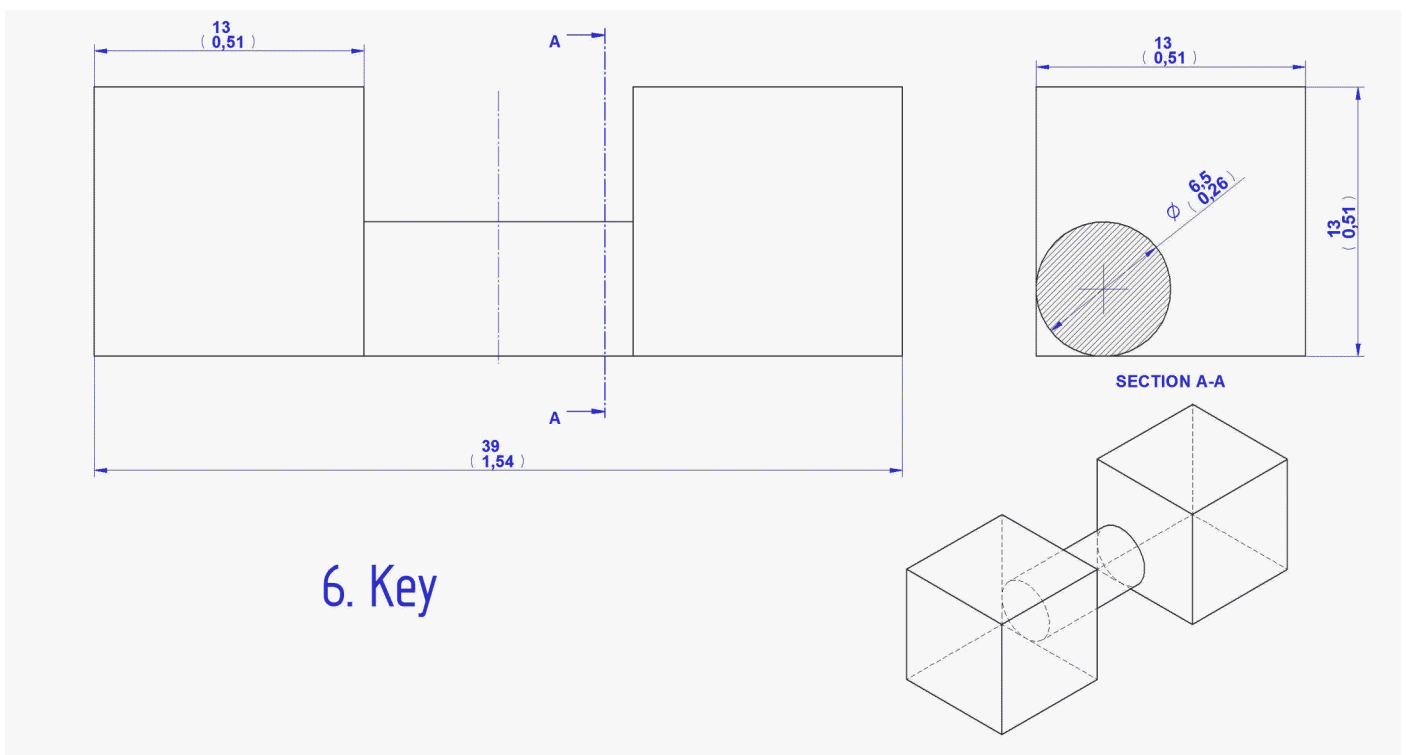
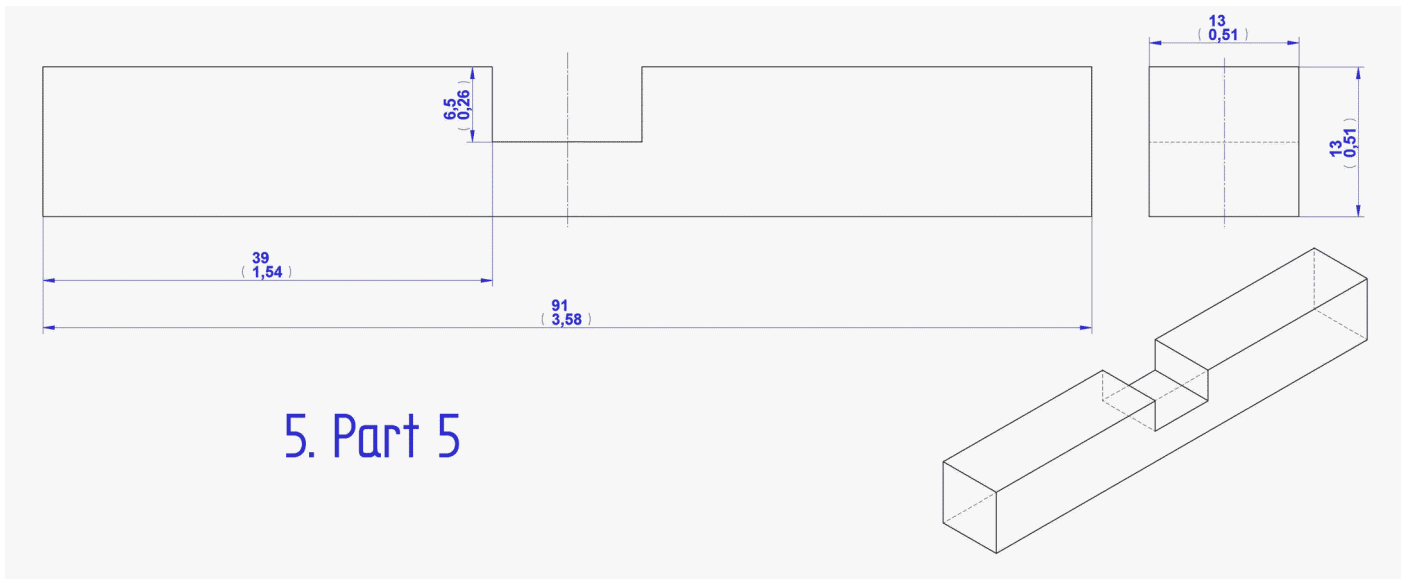


3. Part 3



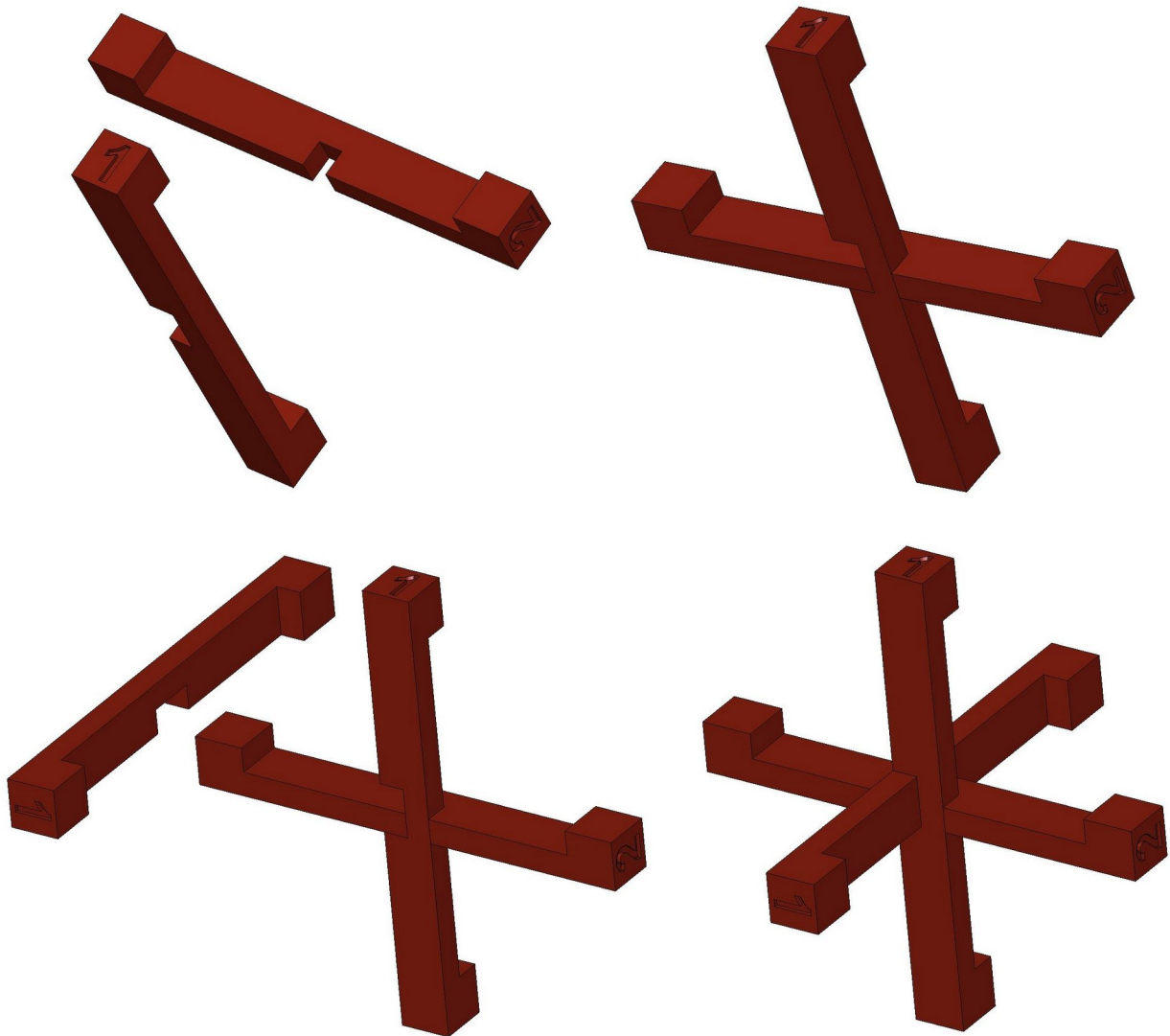
4. Part 4



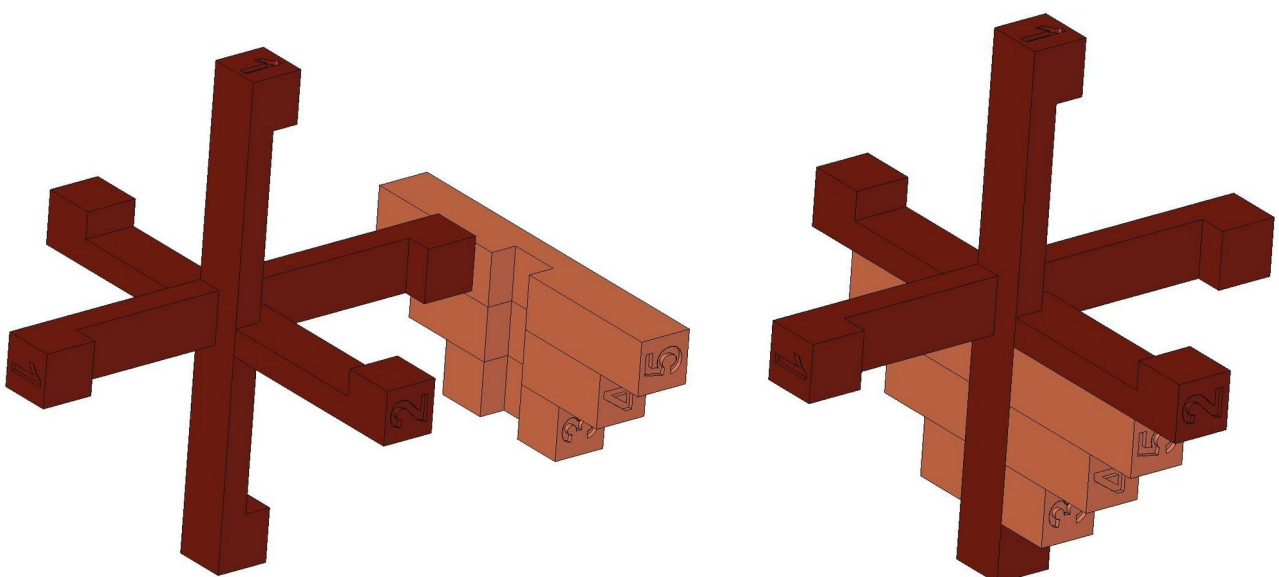


Solution

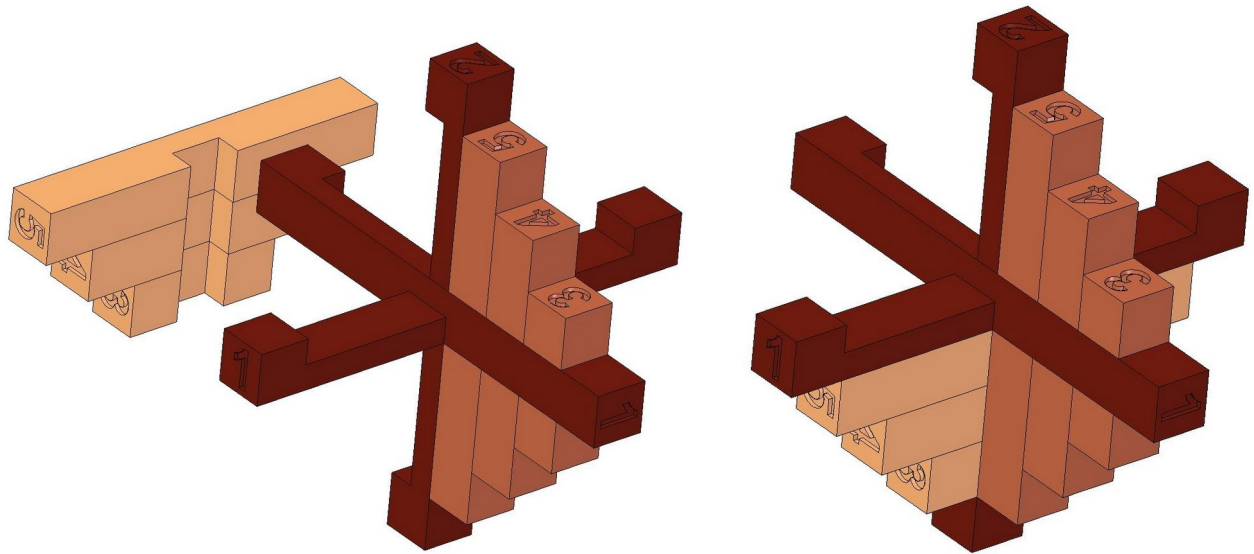
Step 1



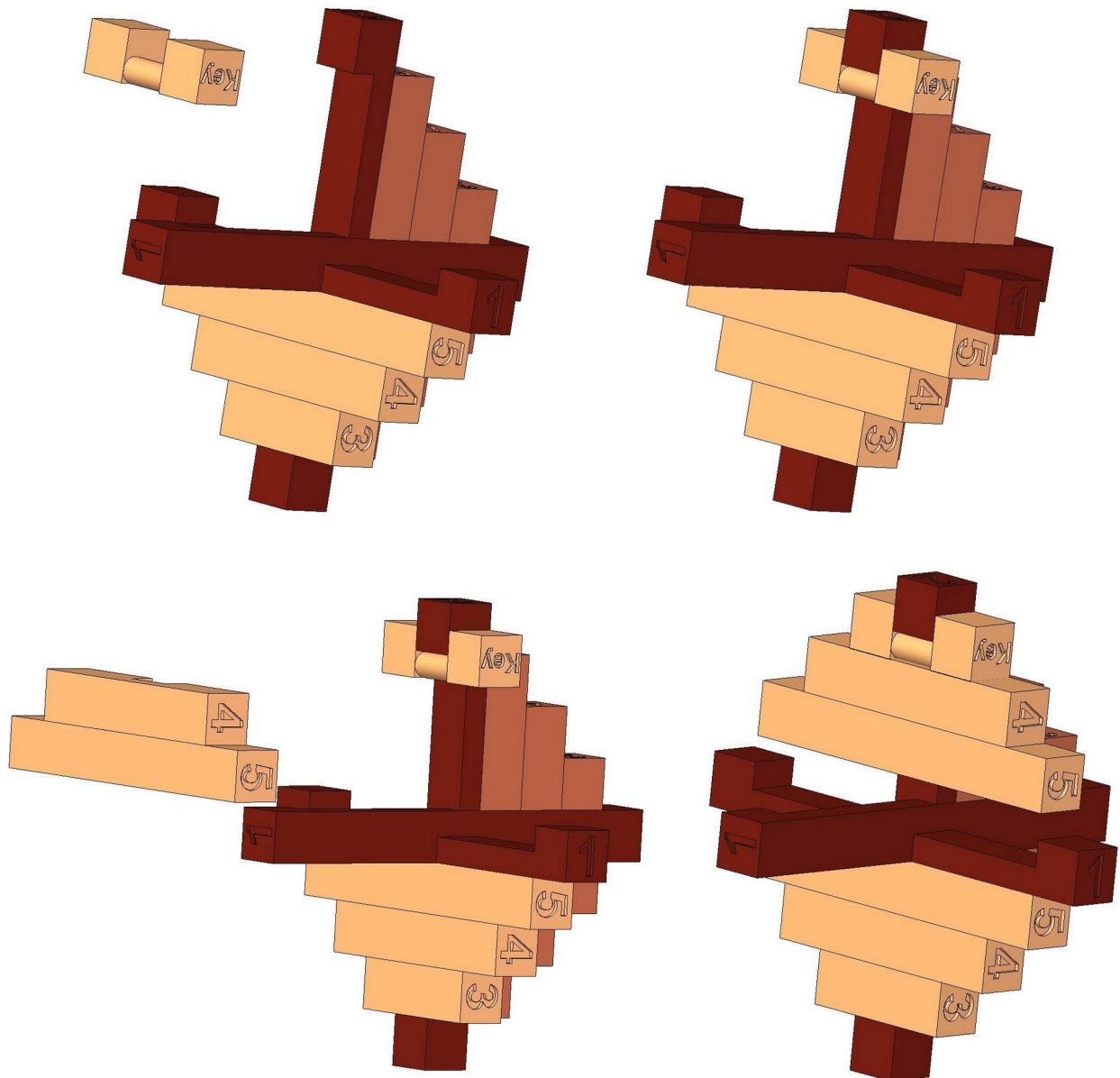
Step 2



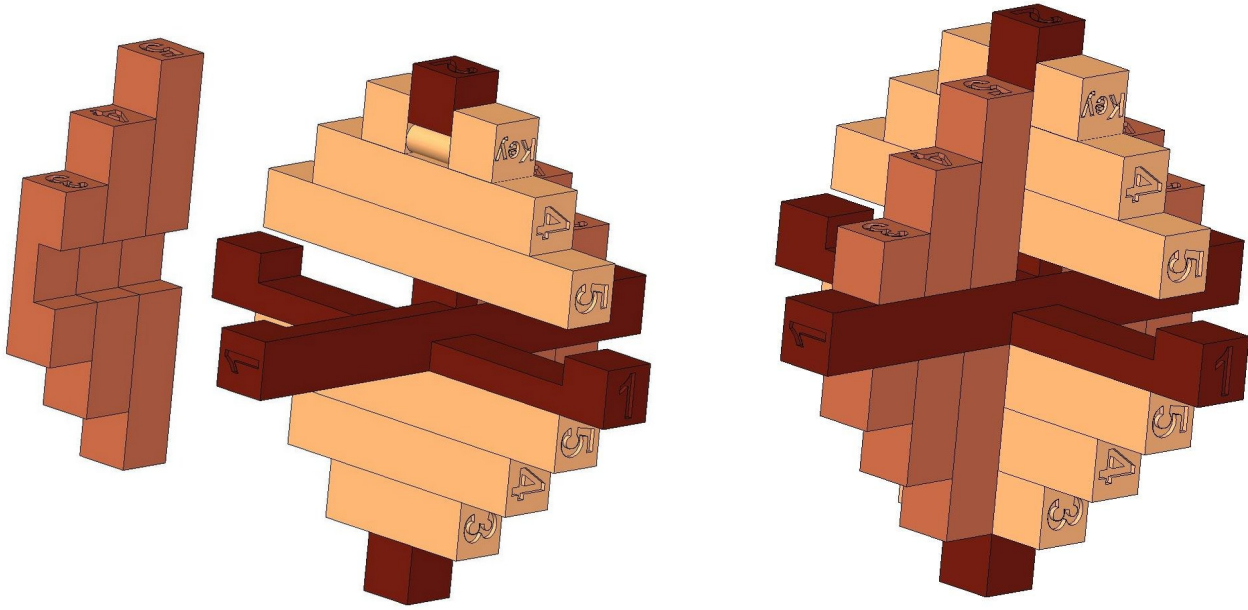
Step 3



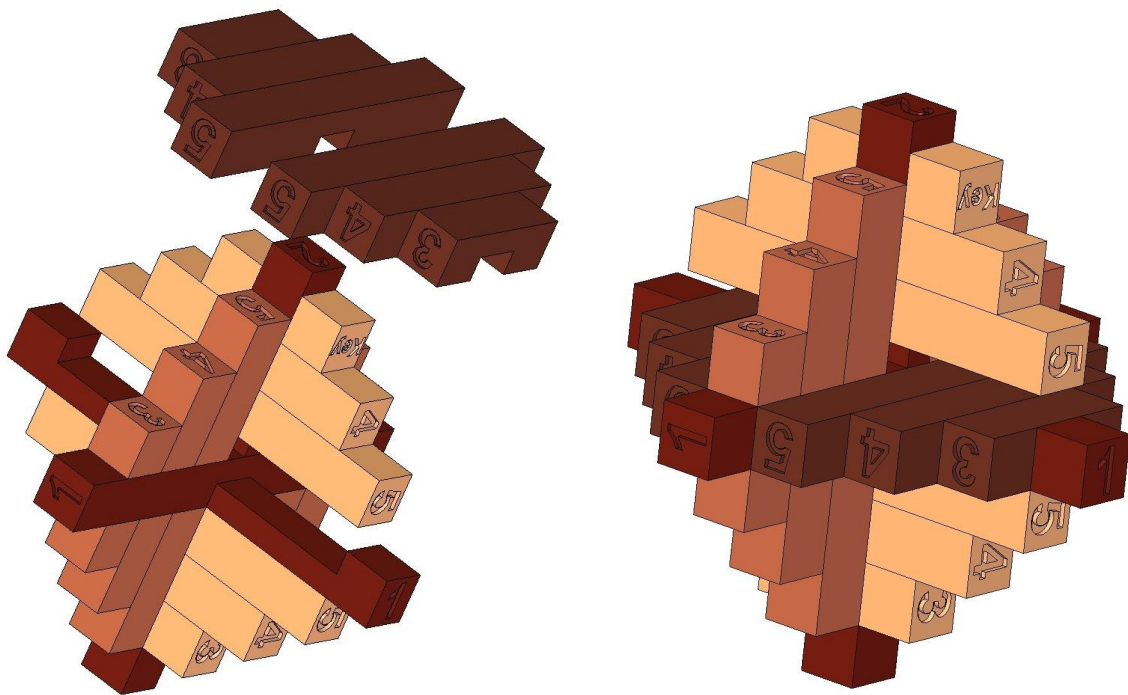
Step 4



Step 5



Step 6



Step 7 – turn round the key (item 6)

