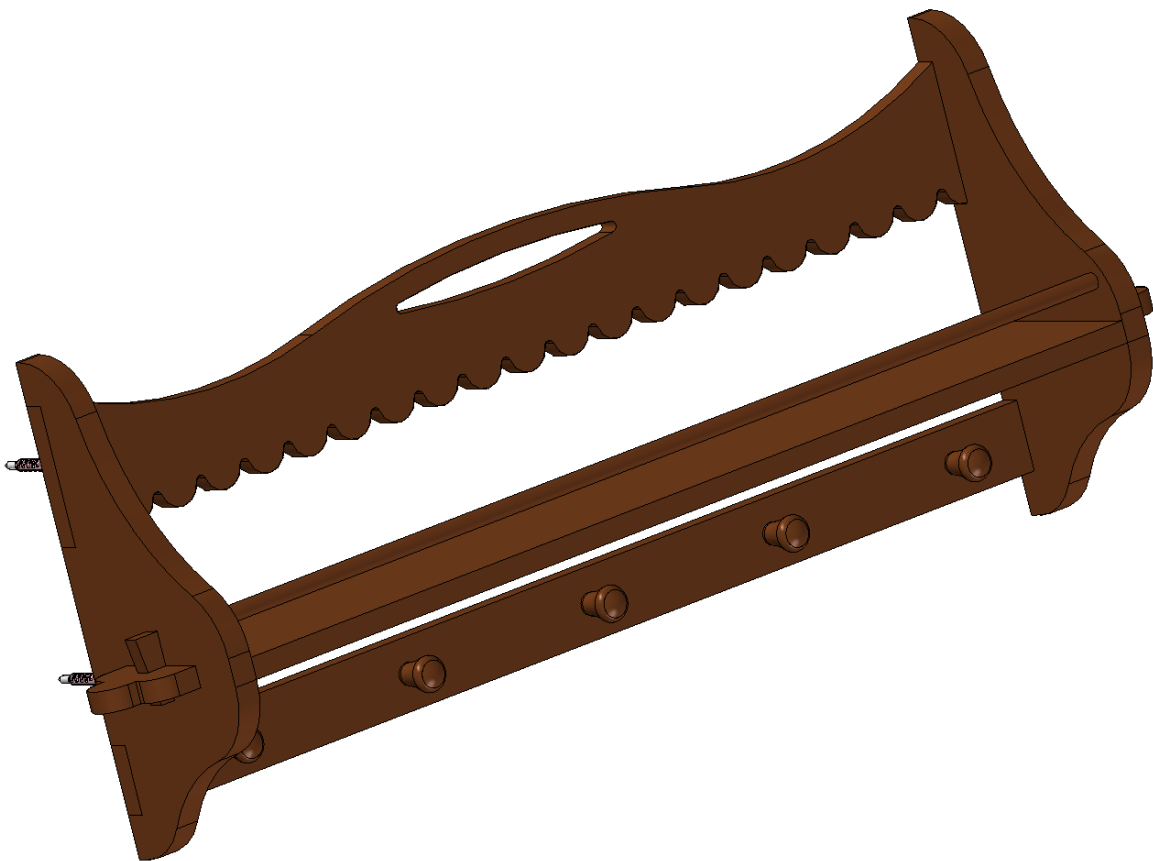


## Wooden wall shelf with pegs

Wall shelves are inevitable addition in each room of the home. They save space, displays things with the special meaning and value and in the same time they provide an efficient home organization.

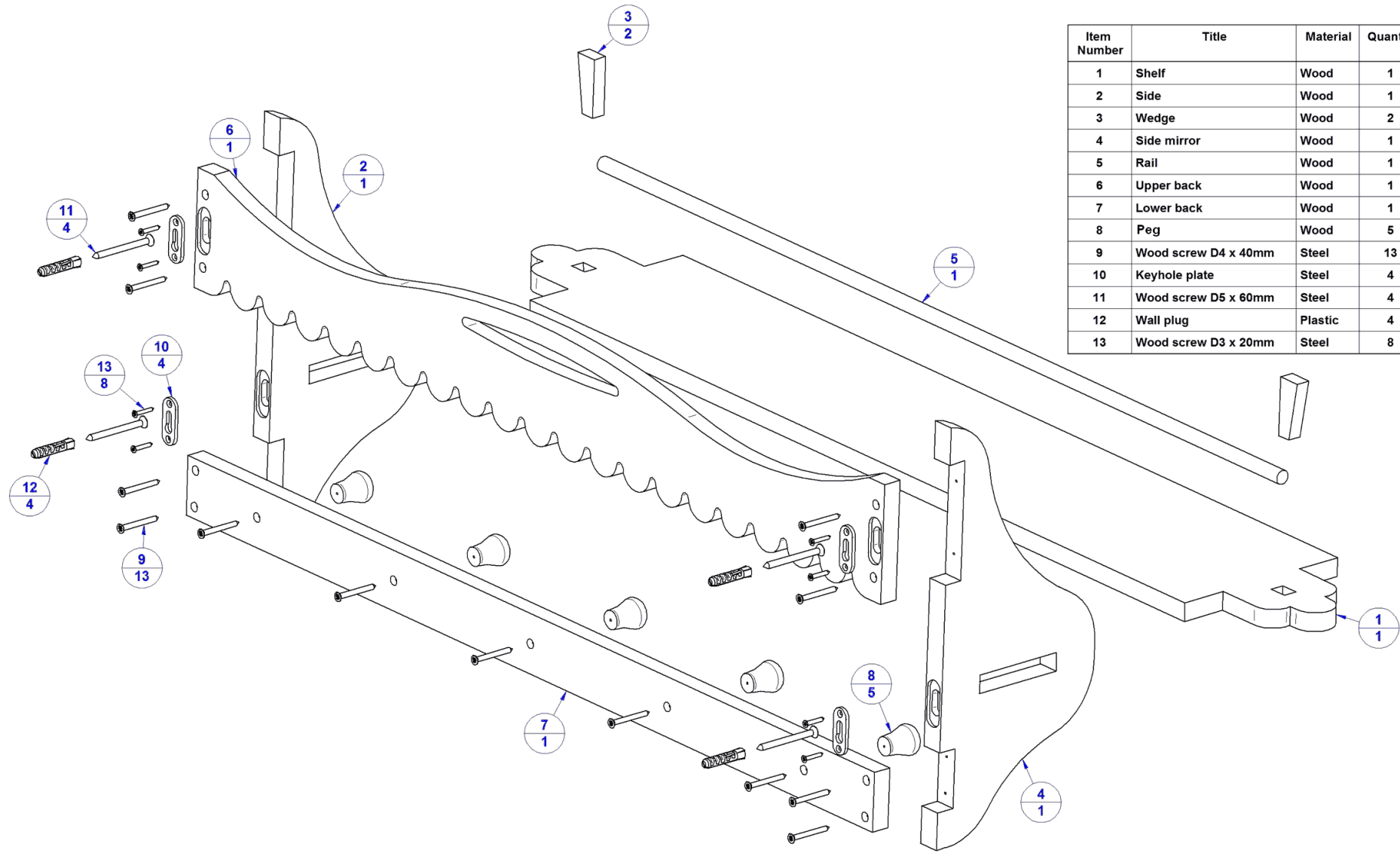
This simple wooden wall shelf with pegs has that special, rustic look, and it can be just the shelf you needed for the kitchen as a spice rack, mounted on a convenient place in the kitchen to keep spices organized and accessible for the cook. In the same time, the pegs will be just great to hang an oven gloves.



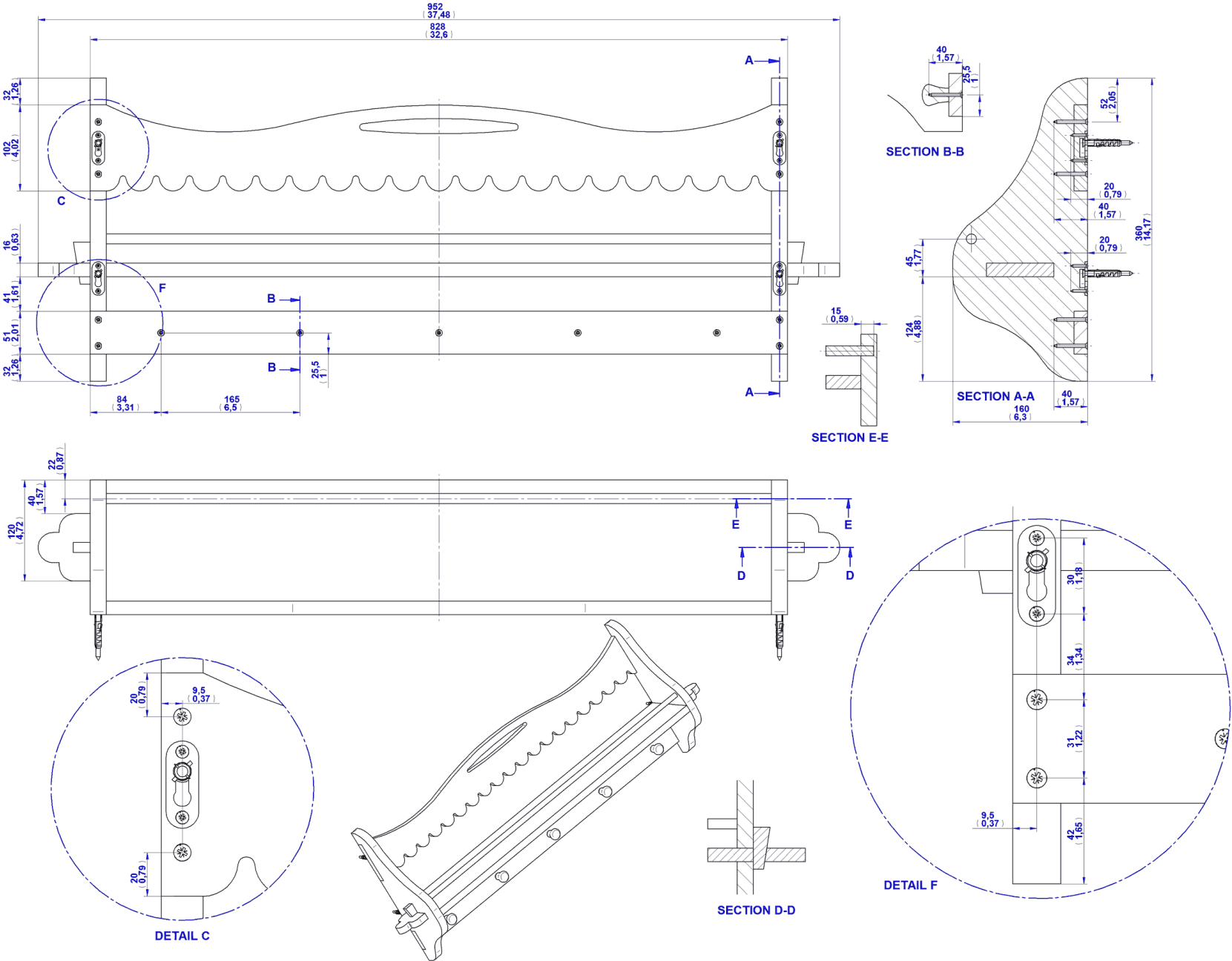
If you want to build a shelf according to this plan, you will have to use a lathe as far as pegs are concerned. Of course, it is easier to buy the pegs as there is a variety of them made of wood and metal offered at the shops. This may not be such a bad idea because you will be able to choose the pegs that you really like. You can change the shelf dimensions to accommodate your needs and the place in the room, and if you want to improve the design, the simplest way would be to pay some attention to redesigning the upper back part. If you want to have a durable and solid shelf, we recommend that you make it from some quality hardwood with nice texture so that it looks nice after finishing. If you, however, decide to build the shelf to your desired size and from wood of lower quality, do not make it too wide so as to avoid sagging under the weight of the objects you put on it. Although the beauty of wood is universal, this is not a shelf for modern interiors (e.g. dominated by IKEA furniture), but for old-style interiors where all the pieces of furniture are of rustic or vintage design.

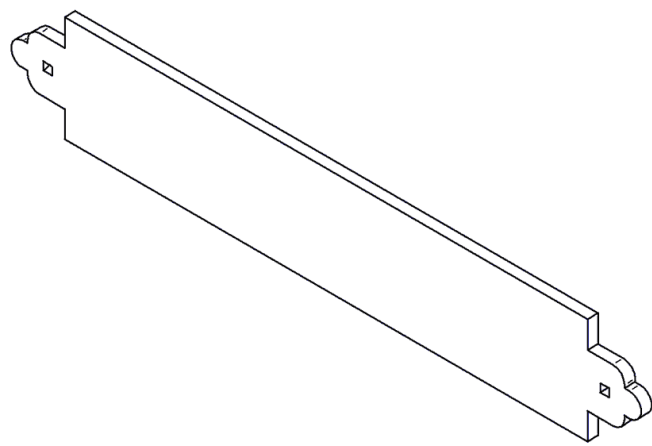
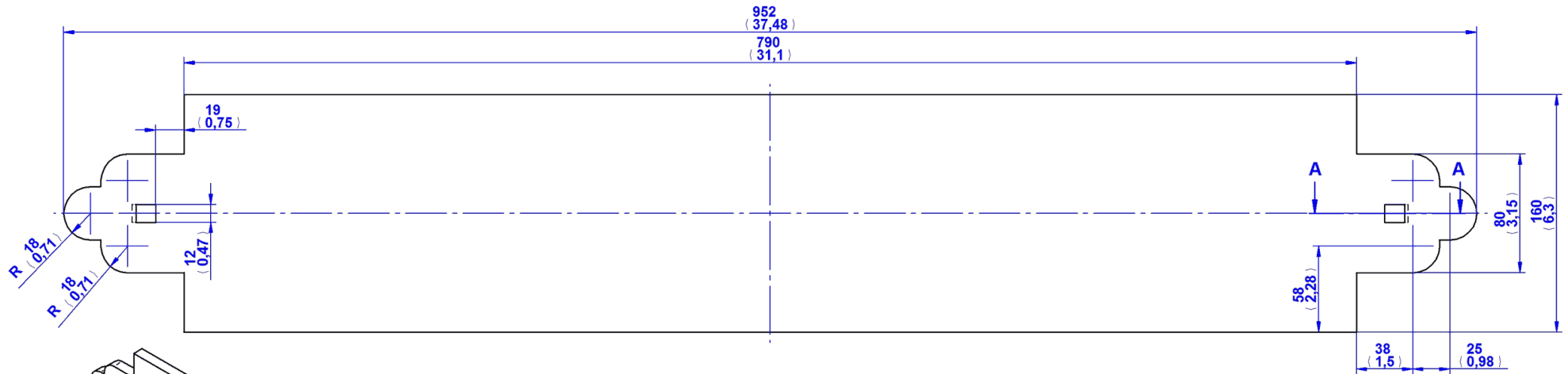
Wooden wall shelf with pegs – Parts list

Item Number	Title	Material	Quantity
1	Shelf	Wood	1
2	Side	Wood	1
3	Wedge	Wood	2
4	Side mirror	Wood	1
5	Rail	Wood	1
6	Upper back	Wood	1
7	Lower back	Wood	1
8	Peg	Wood	5
9	Wood screw D4 x 40mm	Steel	13
10	Keyhole plate	Steel	4
11	Wood screw D5 x 60mm	Steel	4
12	Wall plug	Plastic	4
13	Wood screw D3 x 20mm	Steel	8

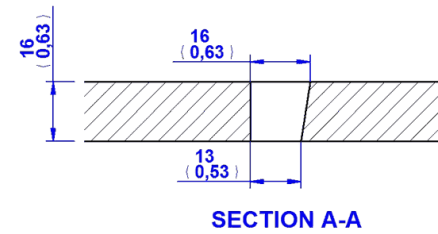


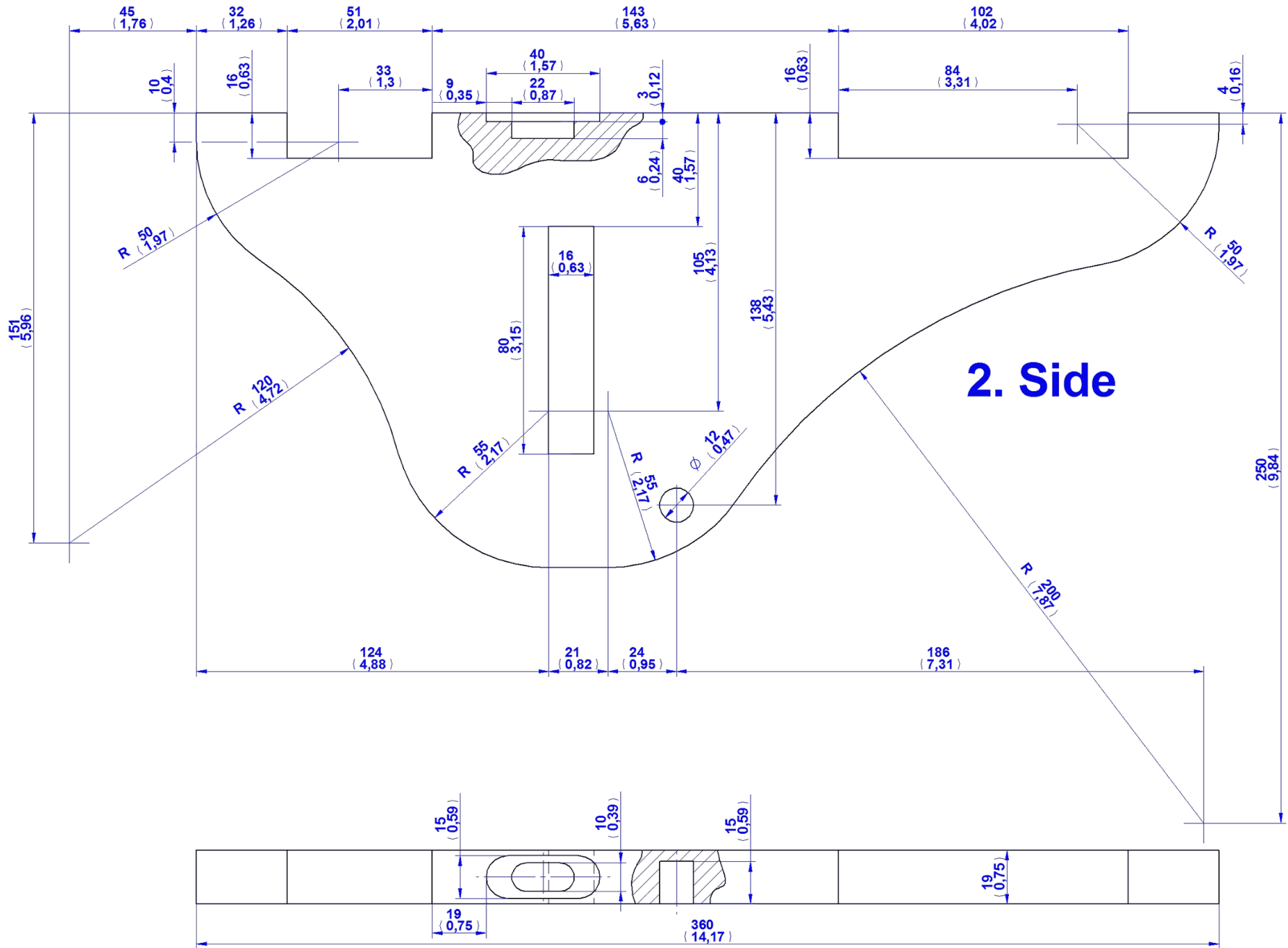
Wooden wall shelf with pegs – Assembly 2D drawing

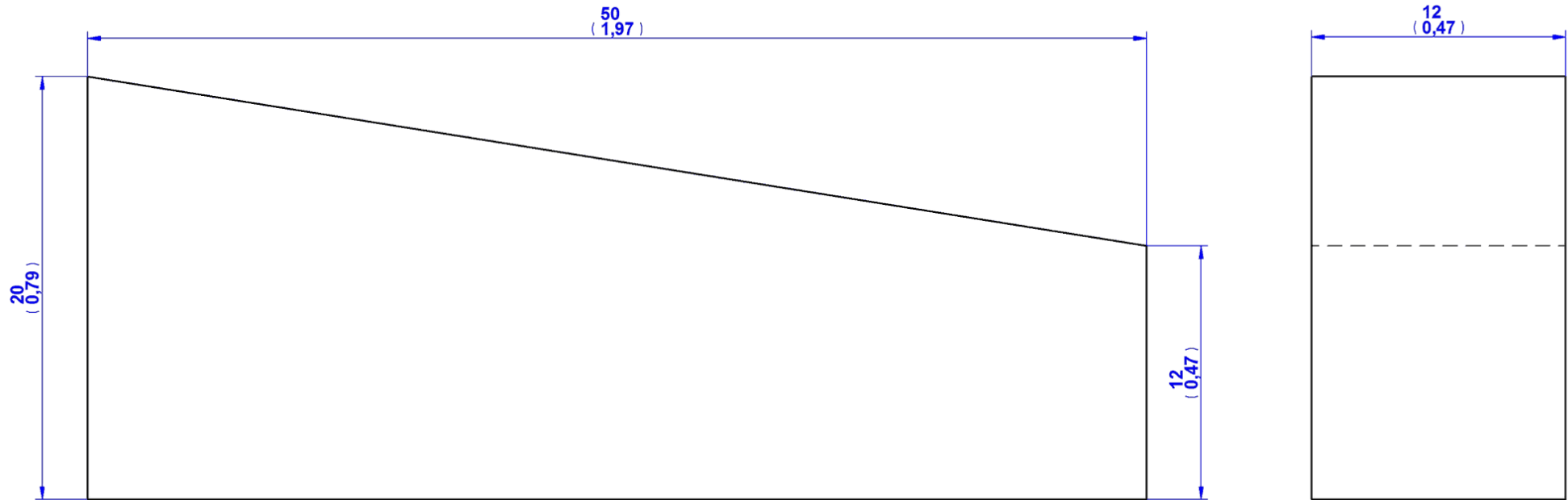




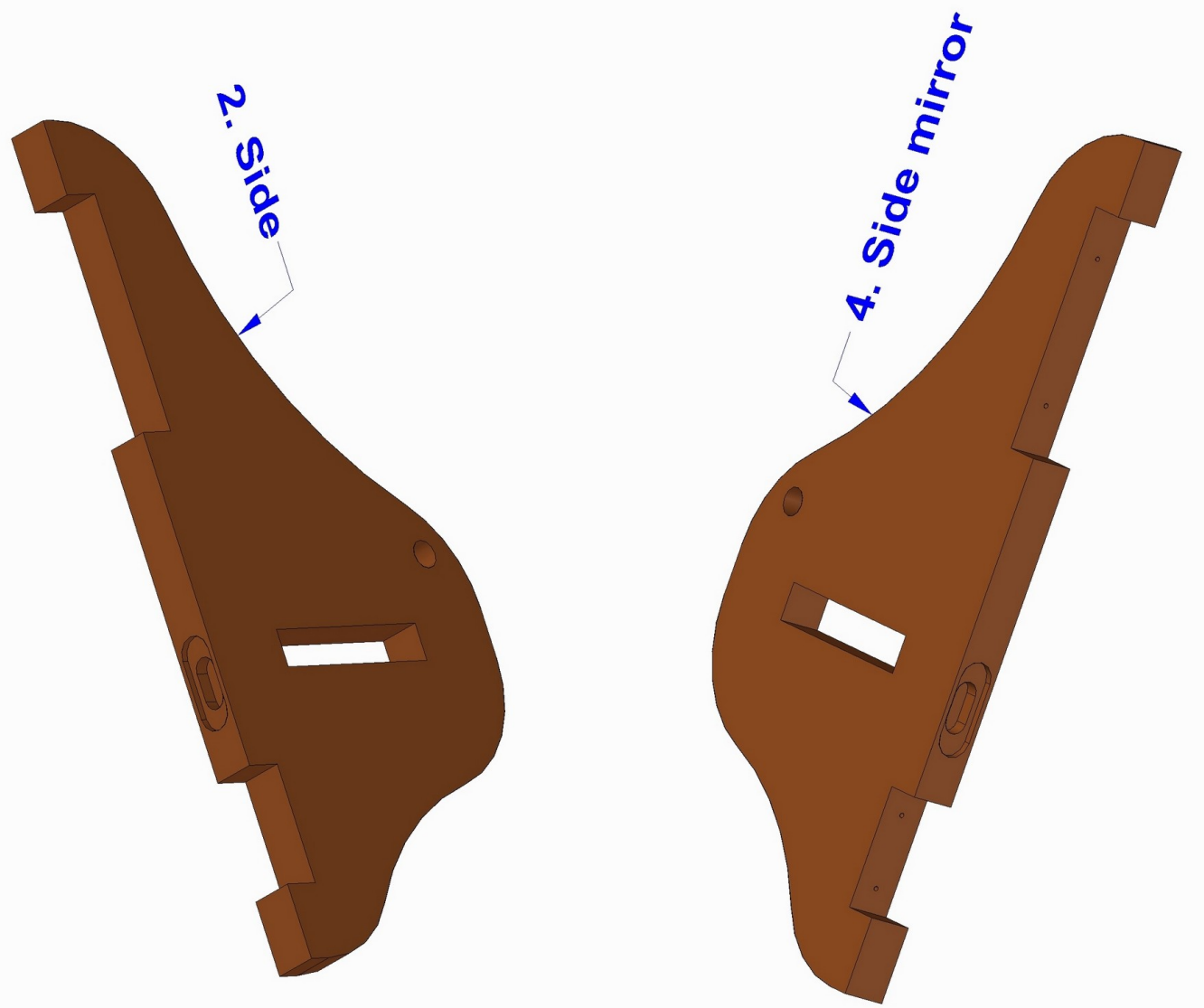
# 1. Shelf

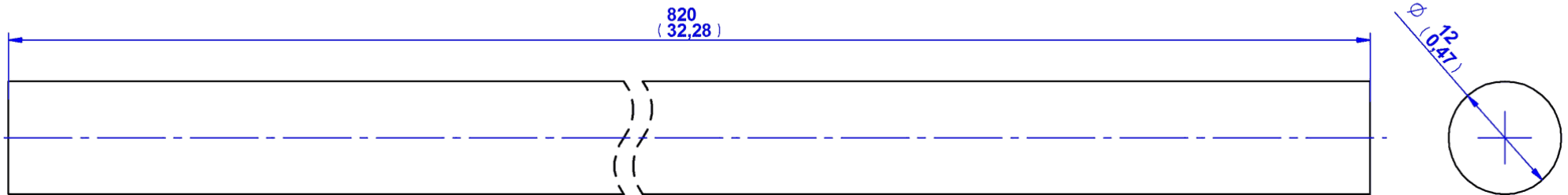






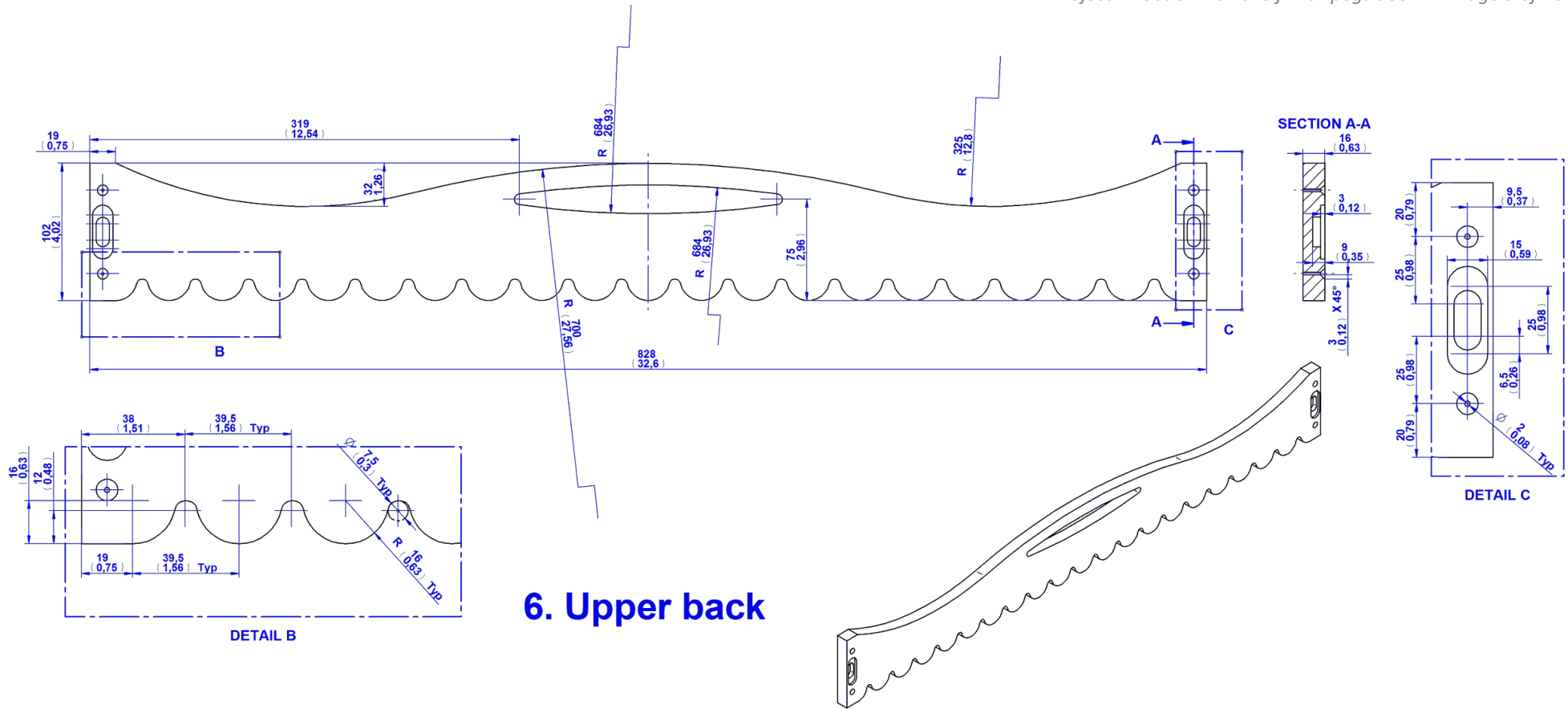
### 3. Wedge



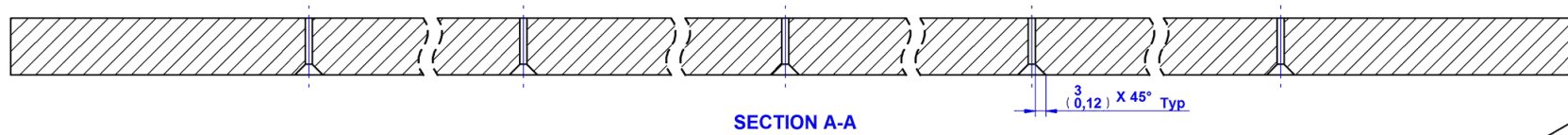
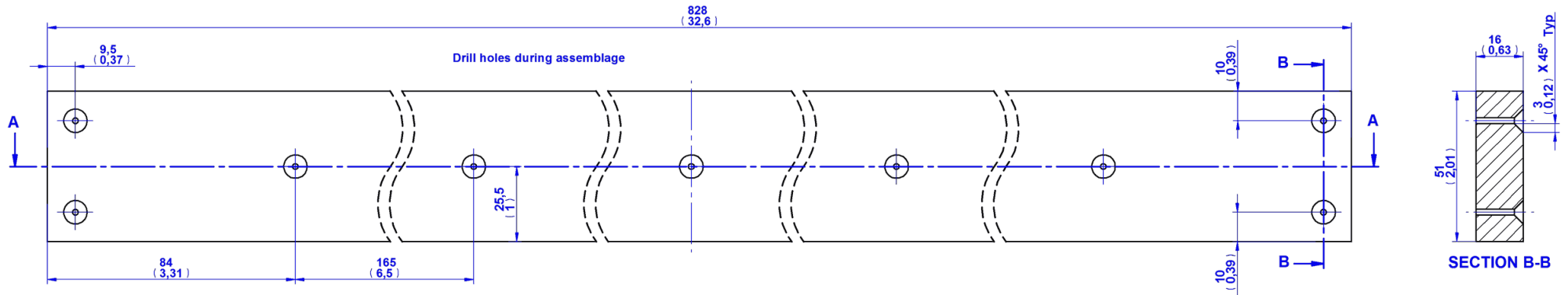


## 5. Rail

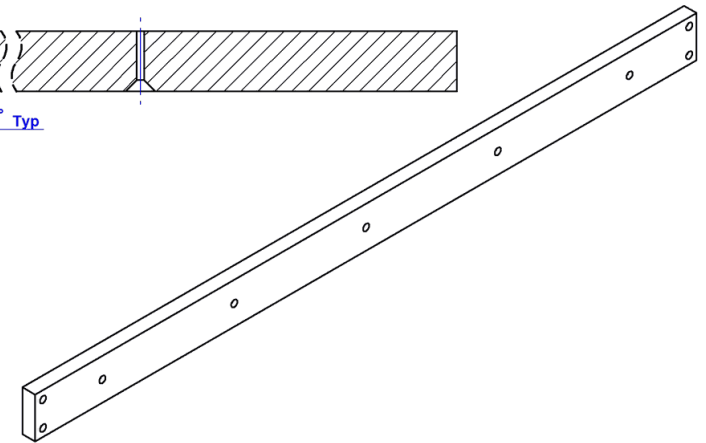


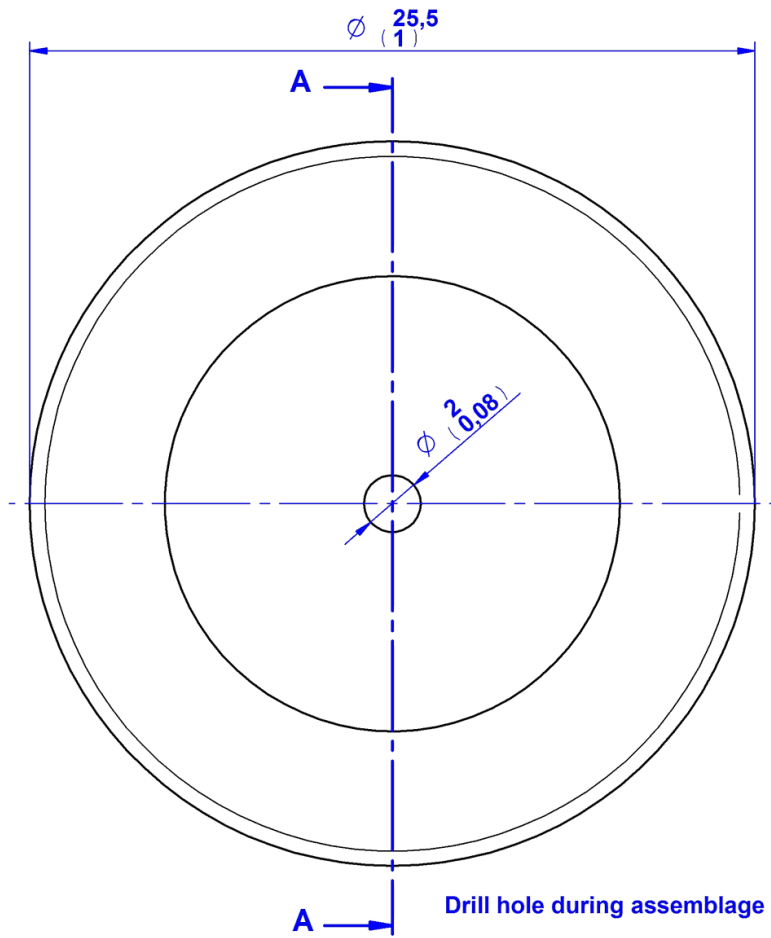


## 6. Upper back

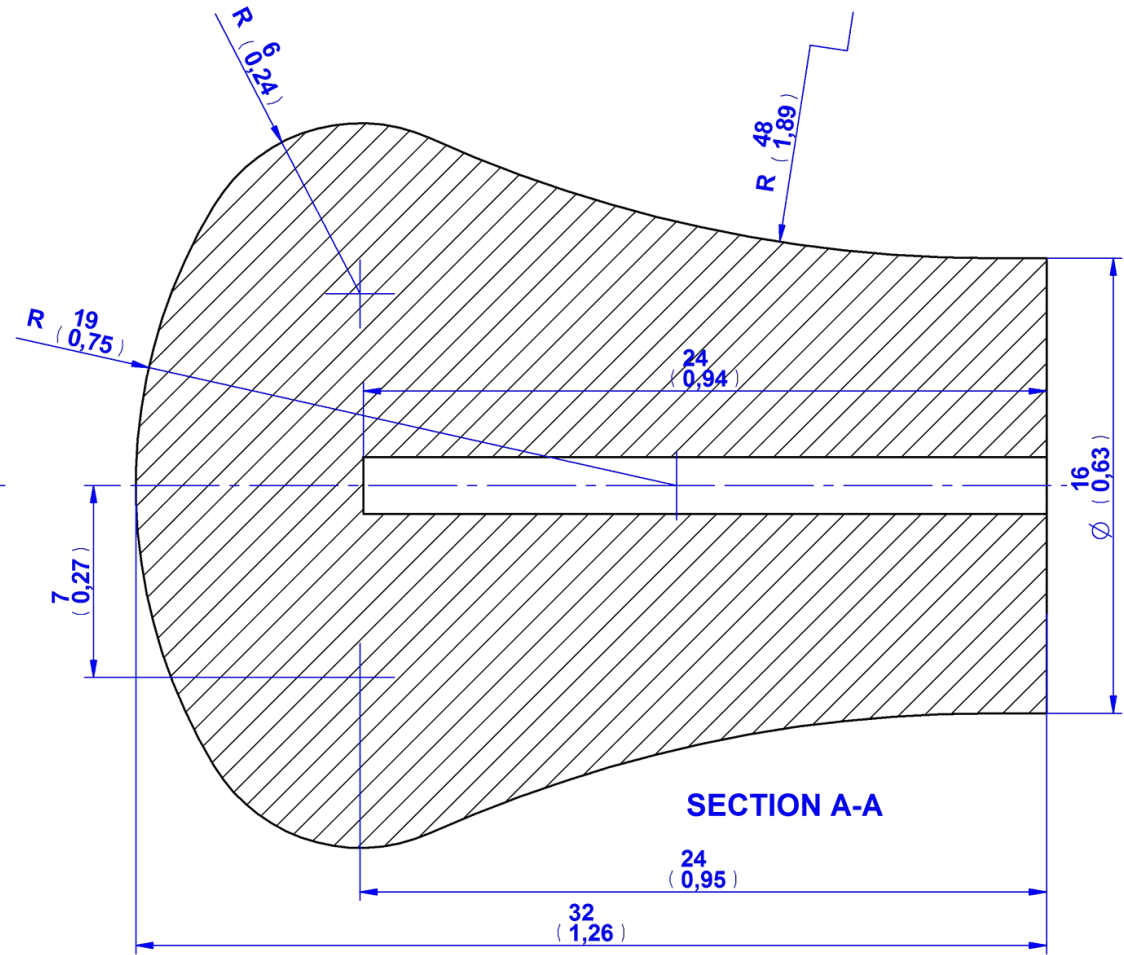


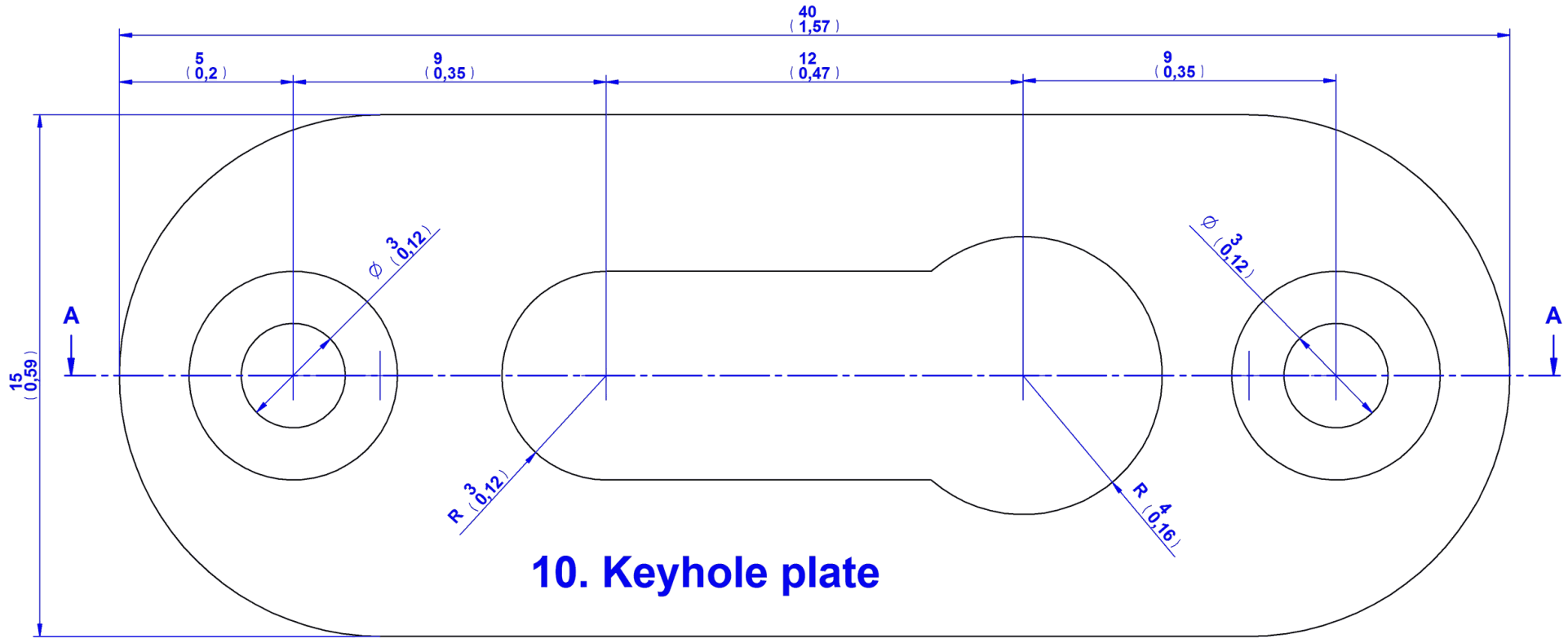
## 7. Lower back



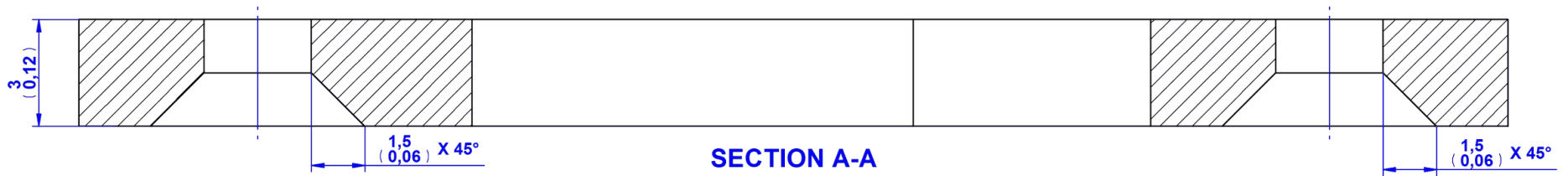


8. Peg

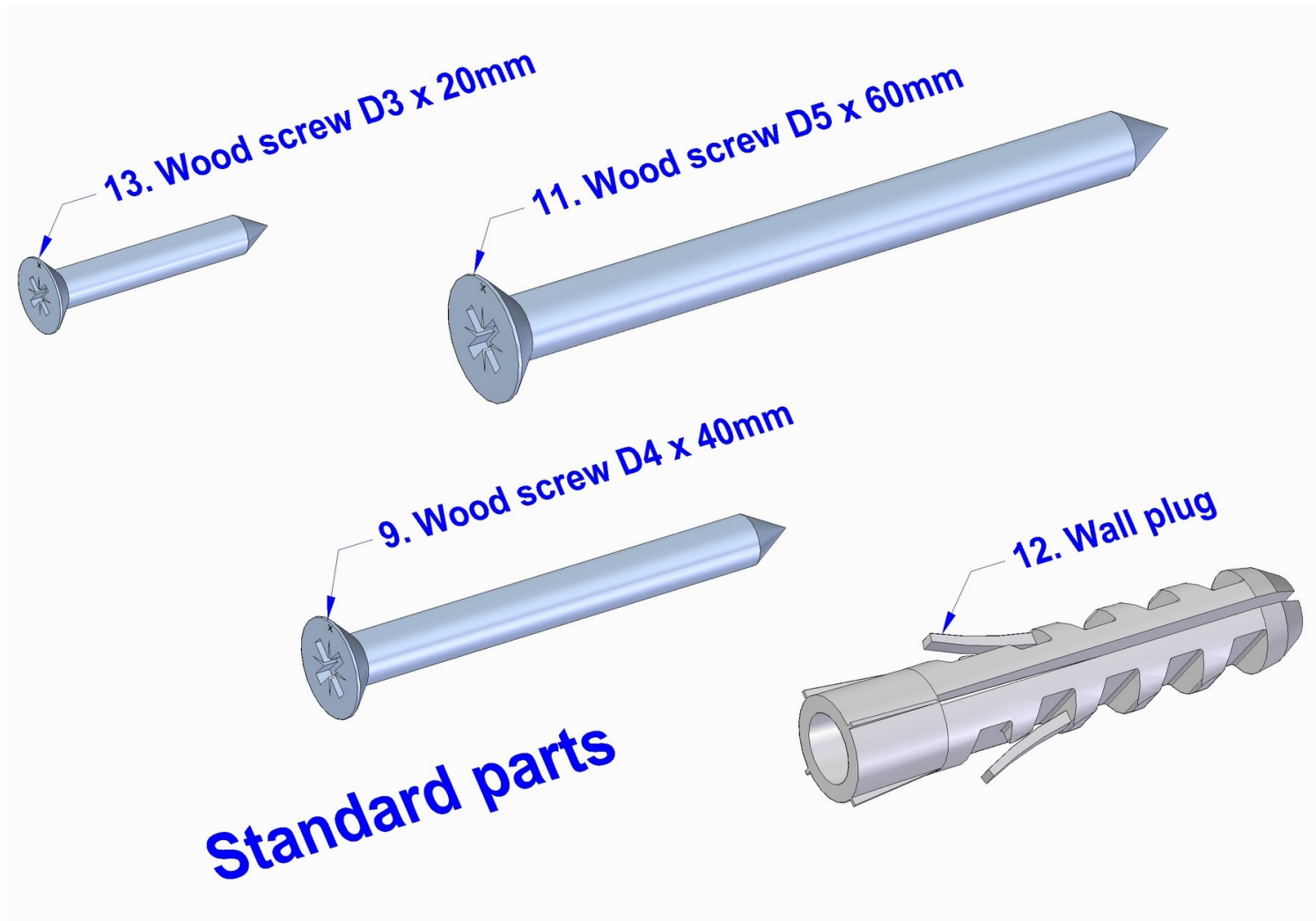




### 10. Keyhole plate

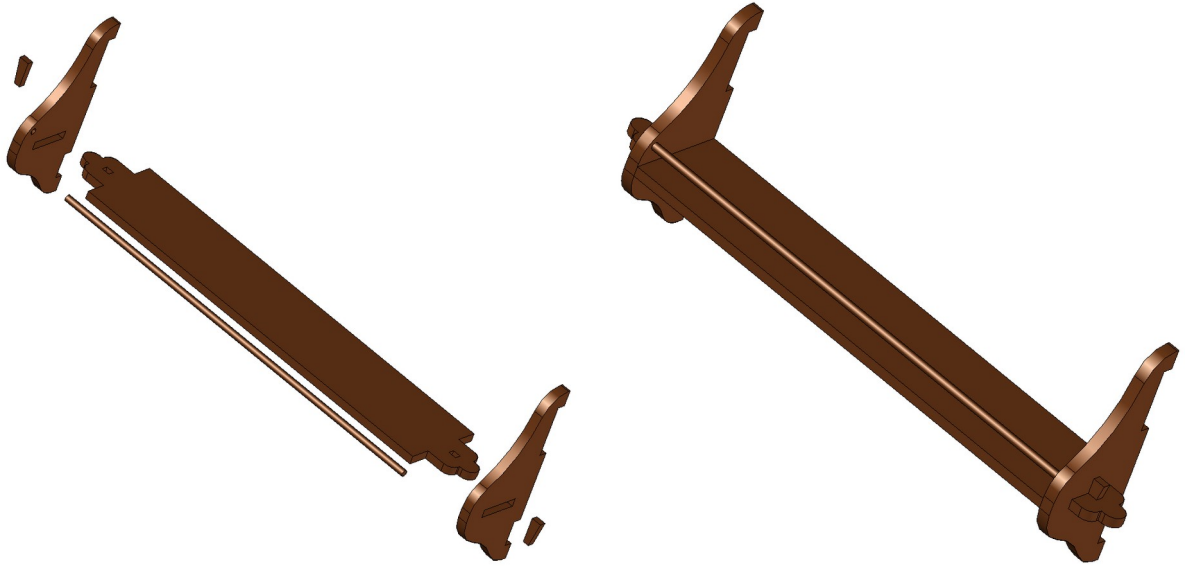


Wooden wall shelf with pegs - Standard parts

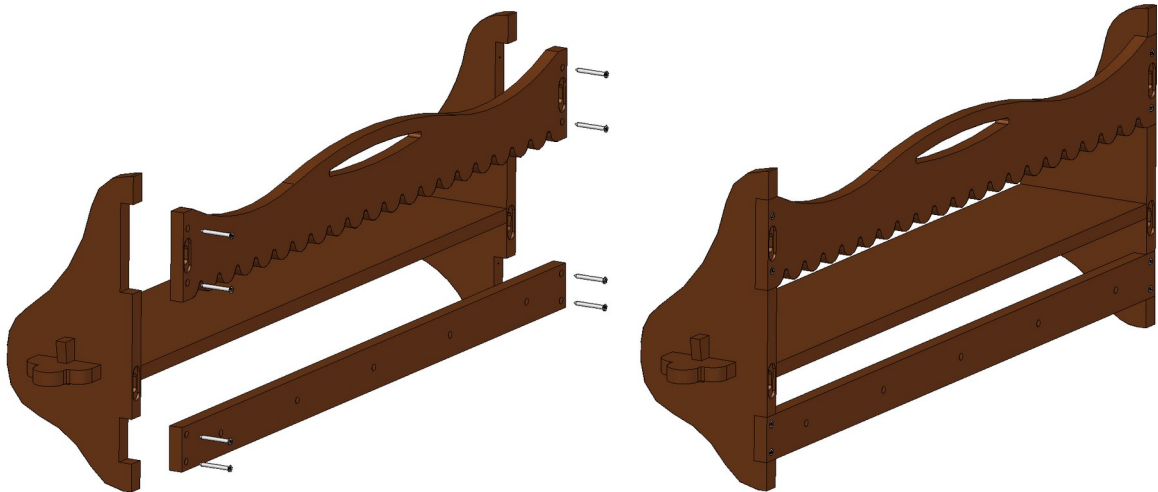


## Assemblage images

1.



2.



3.



4.

