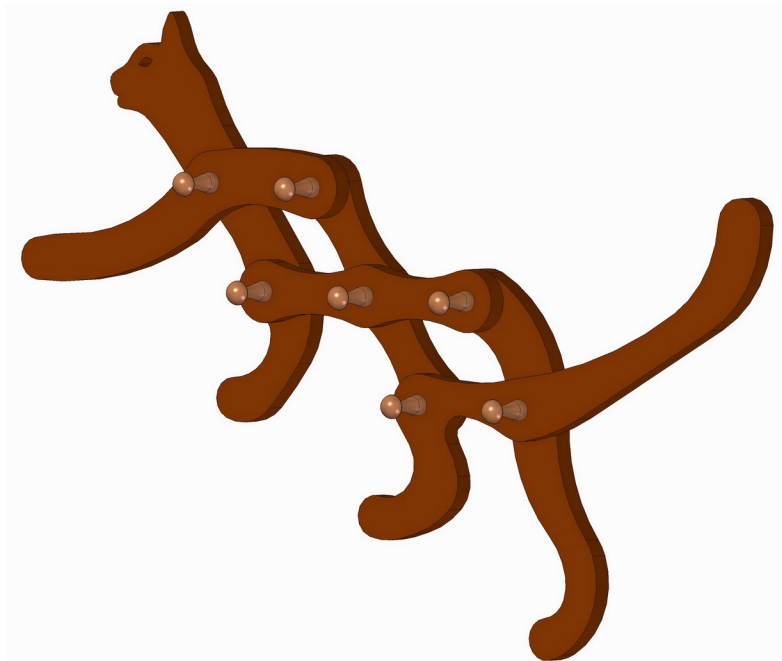


Cat shaped - Wall coat rack plan

Here is a plan according to which you will be able to make an expandable coat rack that is mounted on the wall. The coat rack has the shape of a cat walking with its tail raised. Because it looks the way it does, it is primarily intended for children but can serve well adults, too, in case they really like it.

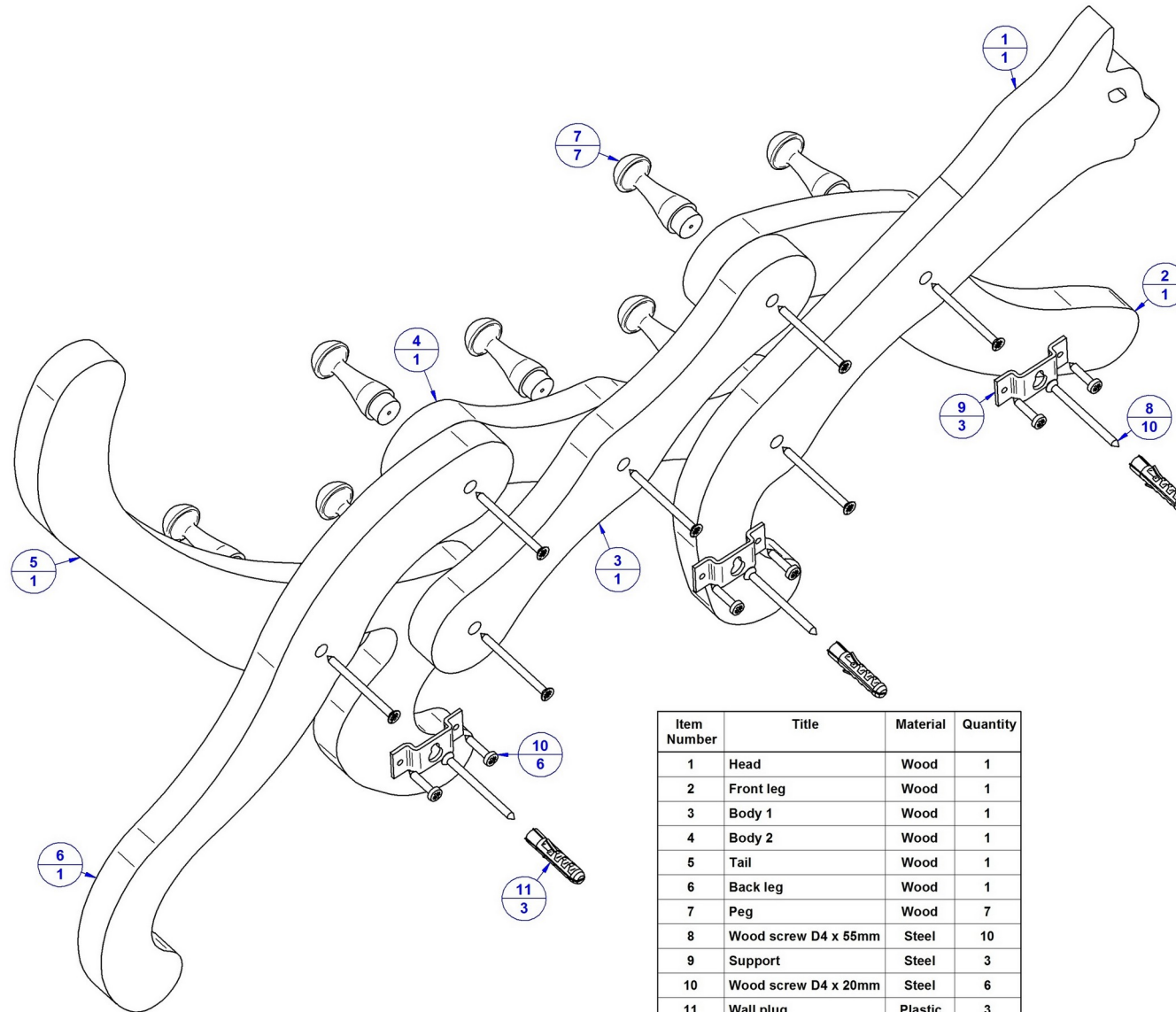
This coat rack is very easy to make - the biggest problem is to cut the parts because they are of curved shape. Draw the contour lines of the parts on a stock, and use a copy saw or jig saw to carefully cut them. If necessary, the individual parts can be further treated with sandpaper to smooth out the edges so that they match the drawn shapes.



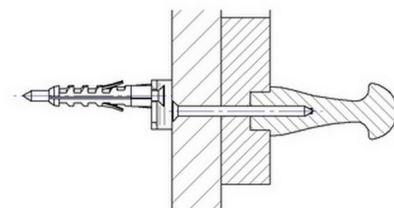
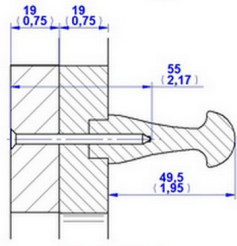
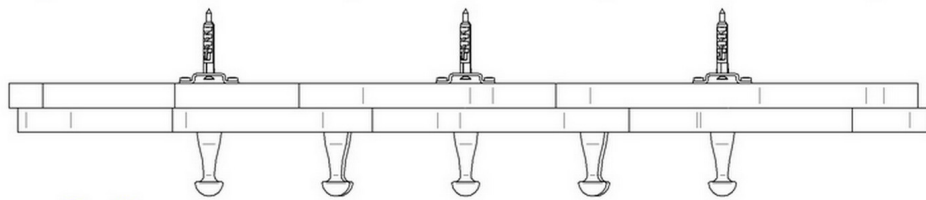
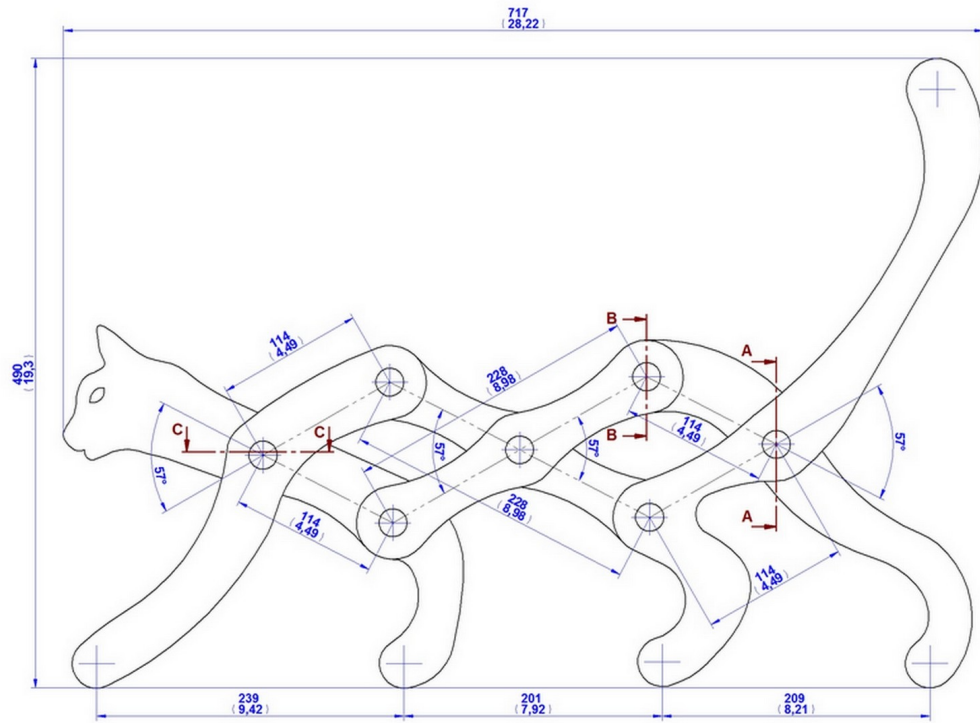
If you have a lathe, you can make pegs based on the drawings from the plan, or you can design their shape yourselves. If you, however, do not dispose of a lathe, you can buy pegs of different shapes on the Internet. When all the parts are finished, they are easily assembled using wood screws. The rack assembly is mounted to the wall with anchors, screws and support parts (which can easily be made of metal). It is equally fine if you happen to prefer some other way of mounting, just act accordingly. If the coat rack is meant for children, you can paint it so that it resembles a cat, even when it comes to colors. You will get a very interesting result by carving, should you try to achieve a greater resemblance to a real cat. The entire assembly can be made of various types of wood, and we recommend that you choose some dry and high-quality hardwood for maximum solidness of the coat rack. Wet jackets in winter conditions can be very heavy; the coat rack could break under the load thereof if it is made from wood of lower quality.

This plan can also serve as a starting point for designing a coat rack in the shape of another animal. If you design and draw the parts carefully, the assembly will definitely look interesting, just like this one, but it will be your unique piece of work and nobody else's!

Coat rack parts list

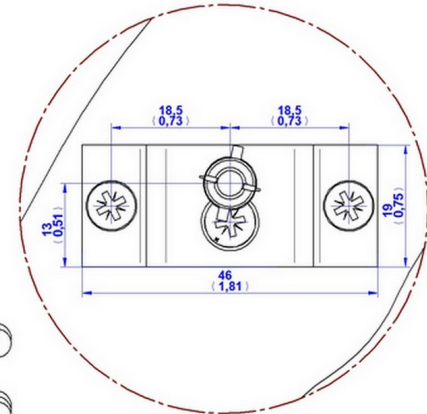
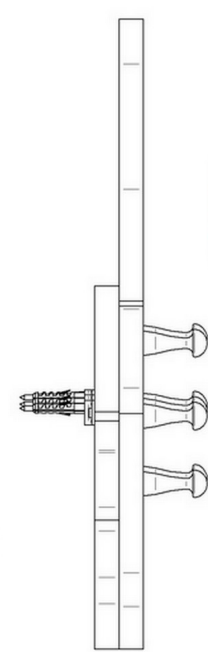


Coat rack assembly 2D drawing

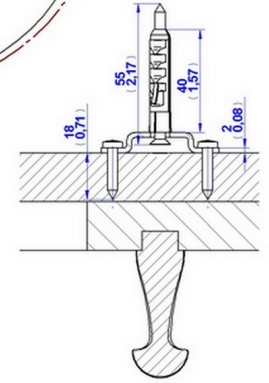


SECTION B-B

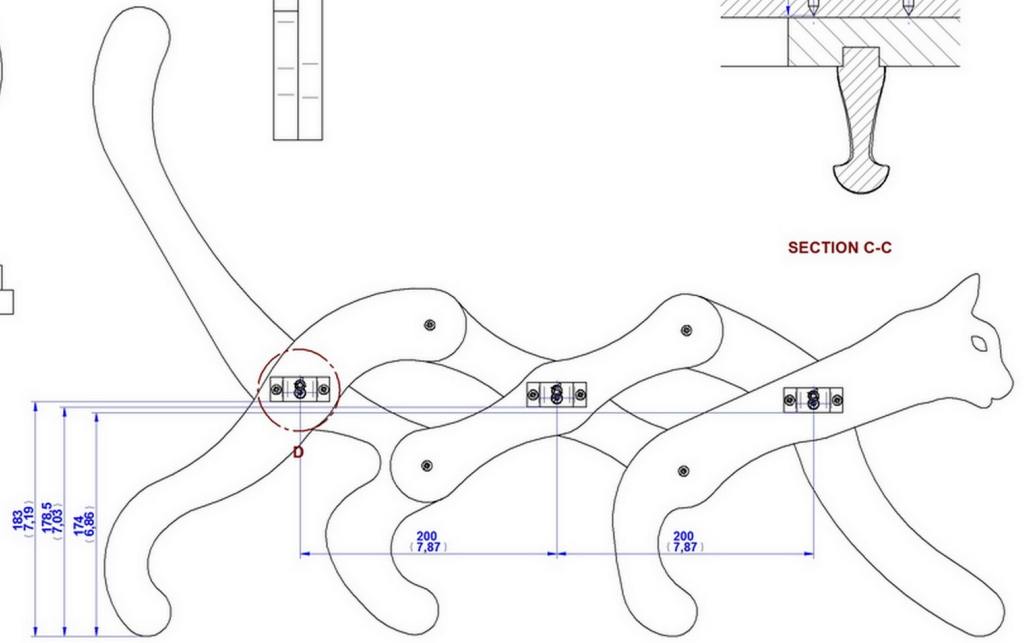
SECTION A-A

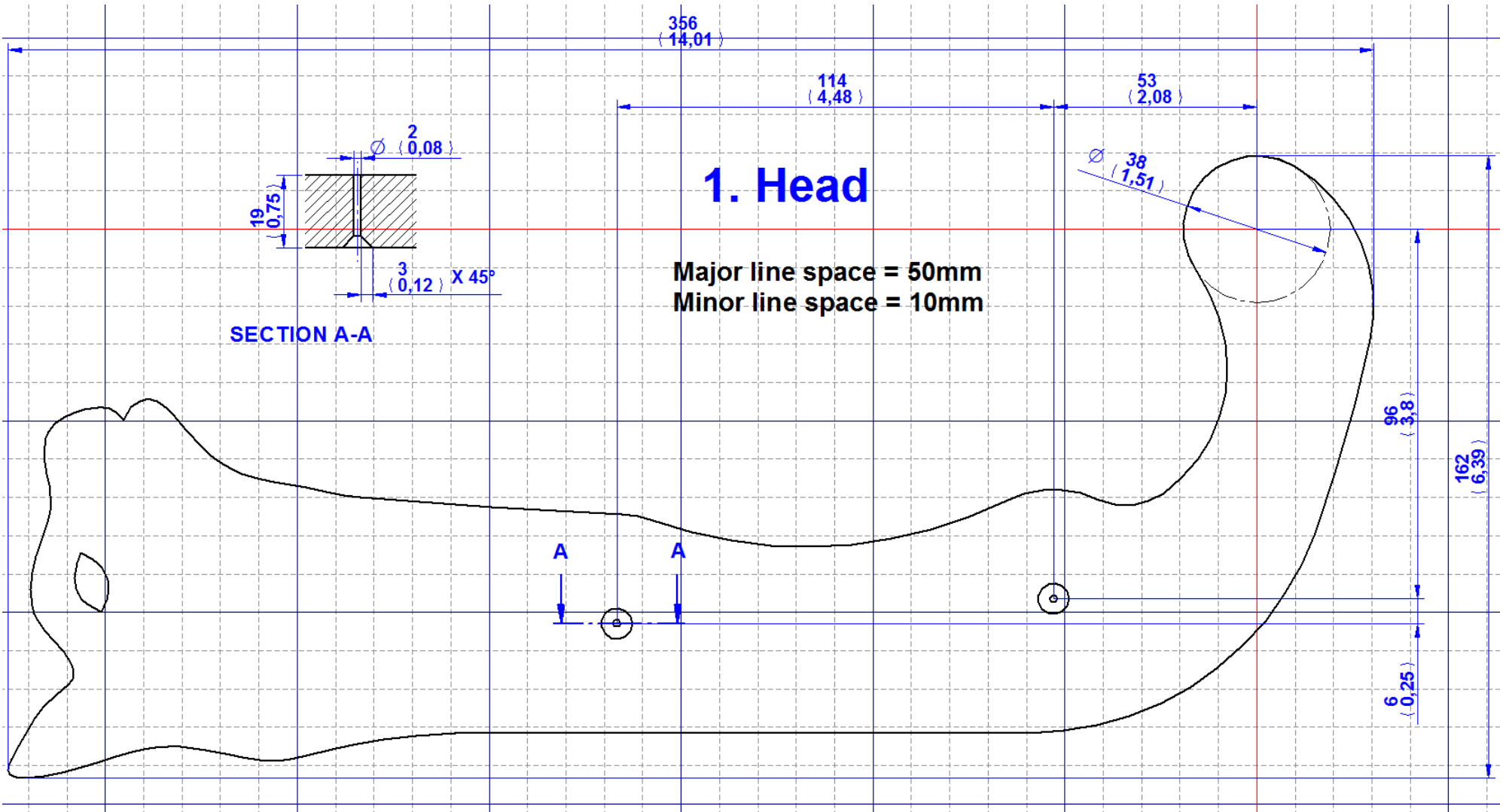


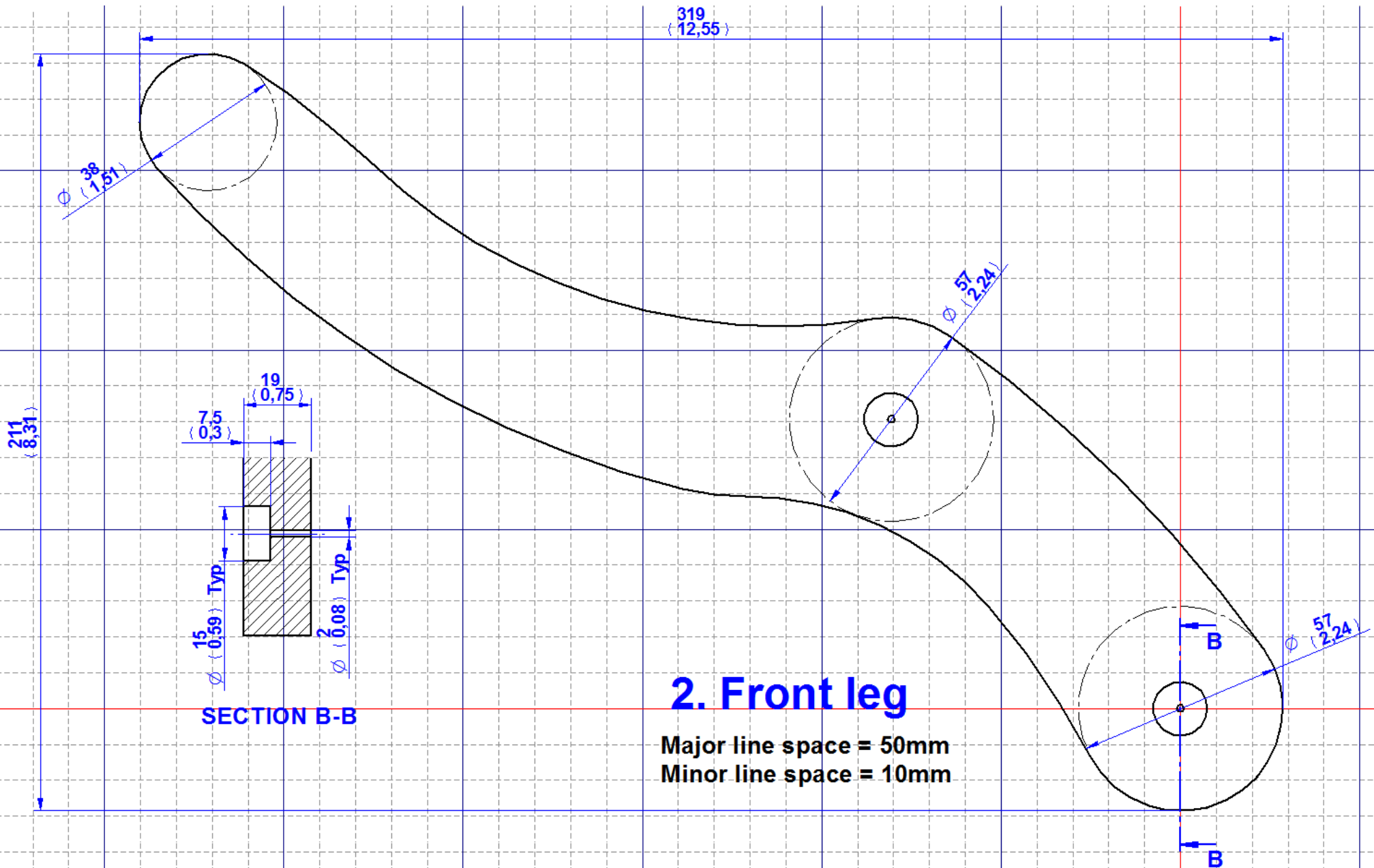
DETAIL D

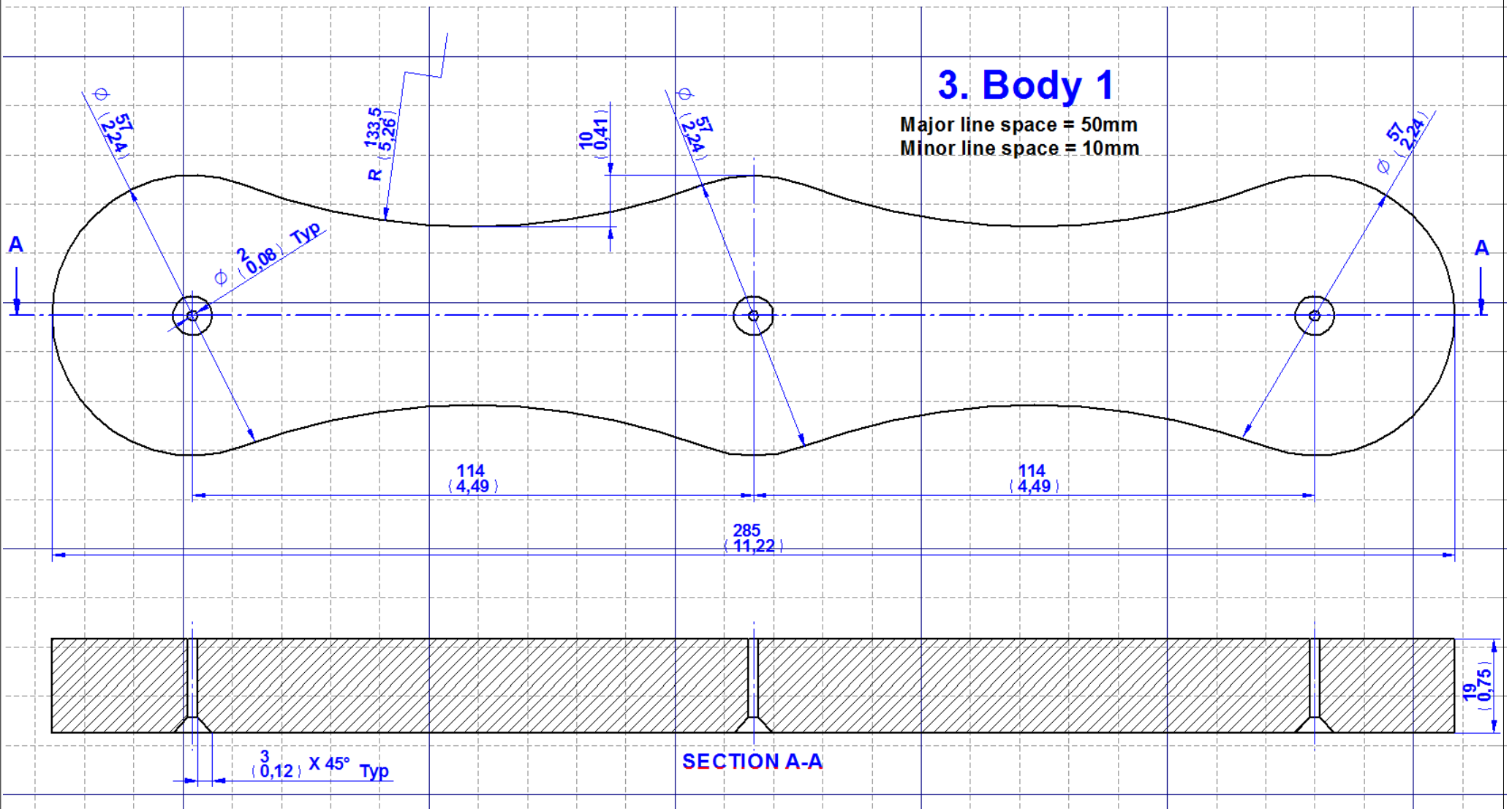


SECTION C-C



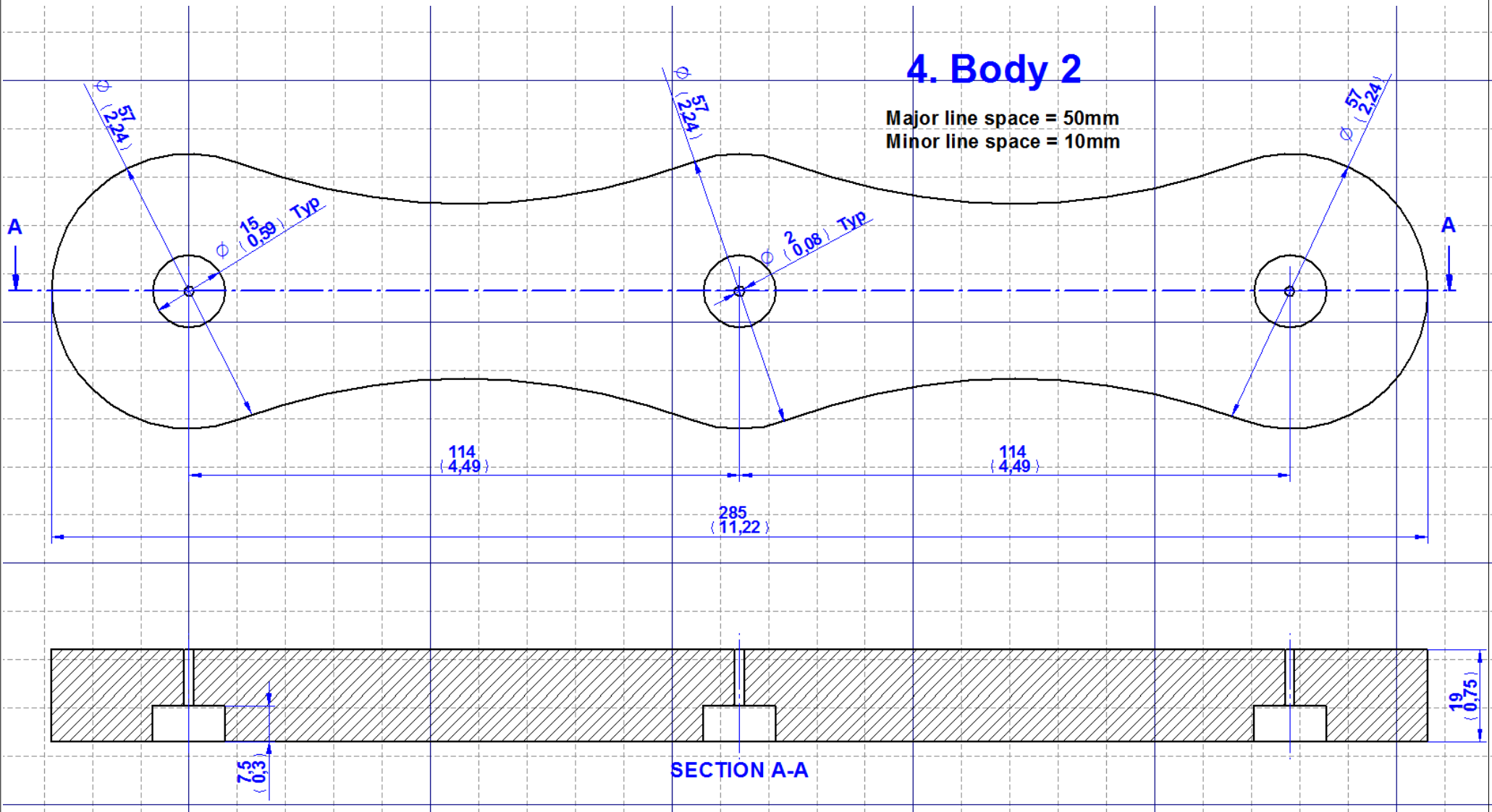


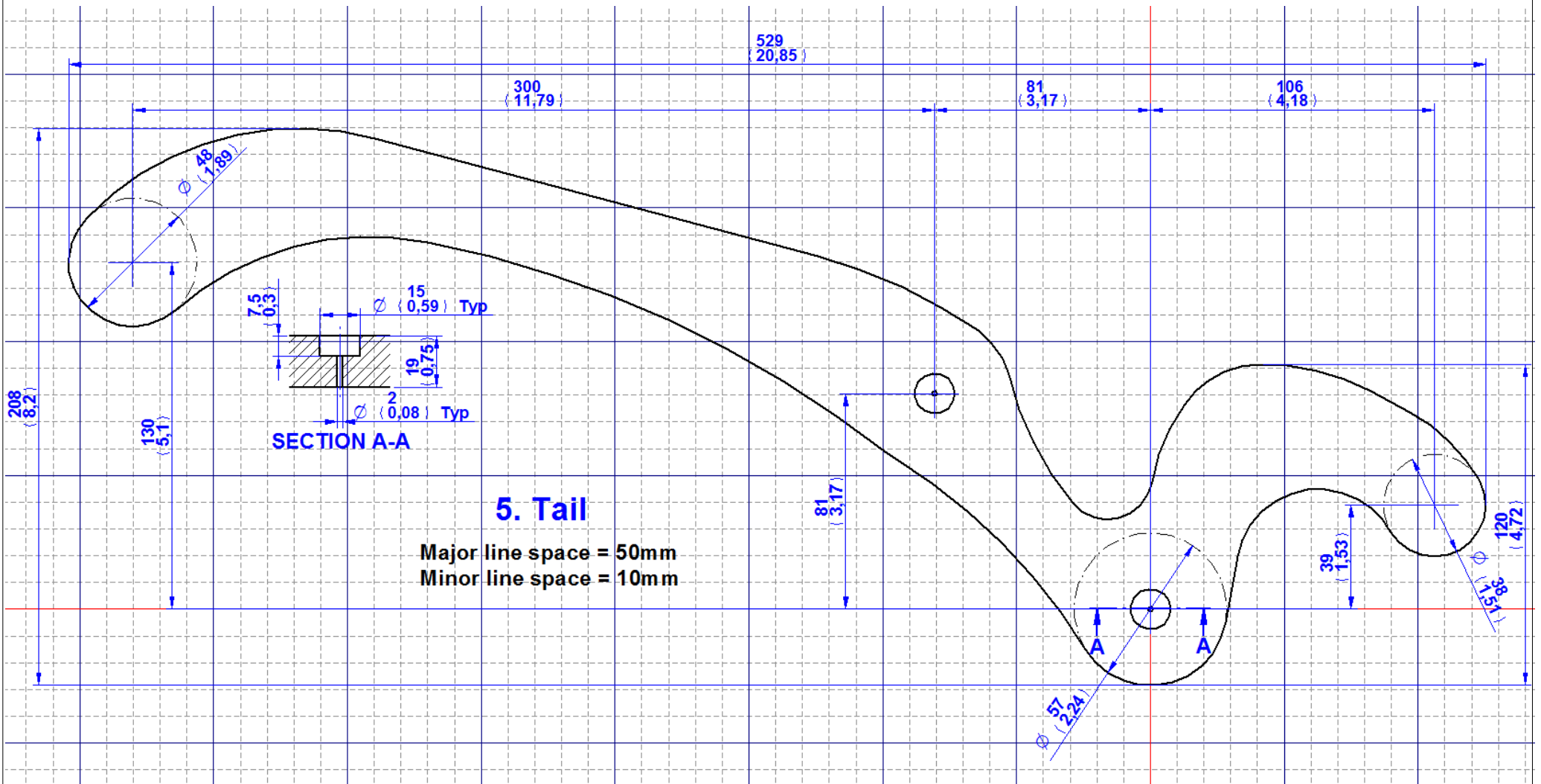


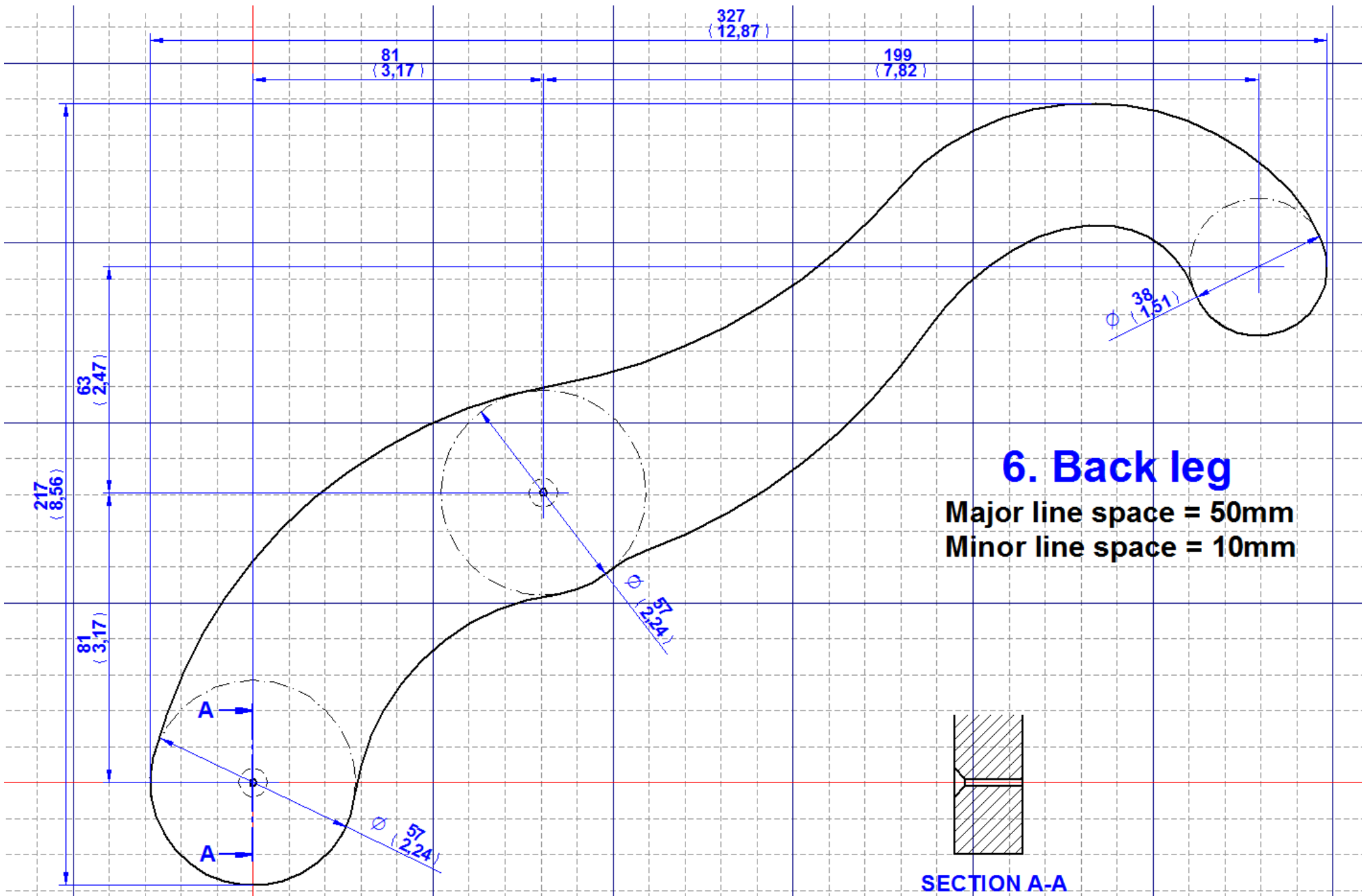


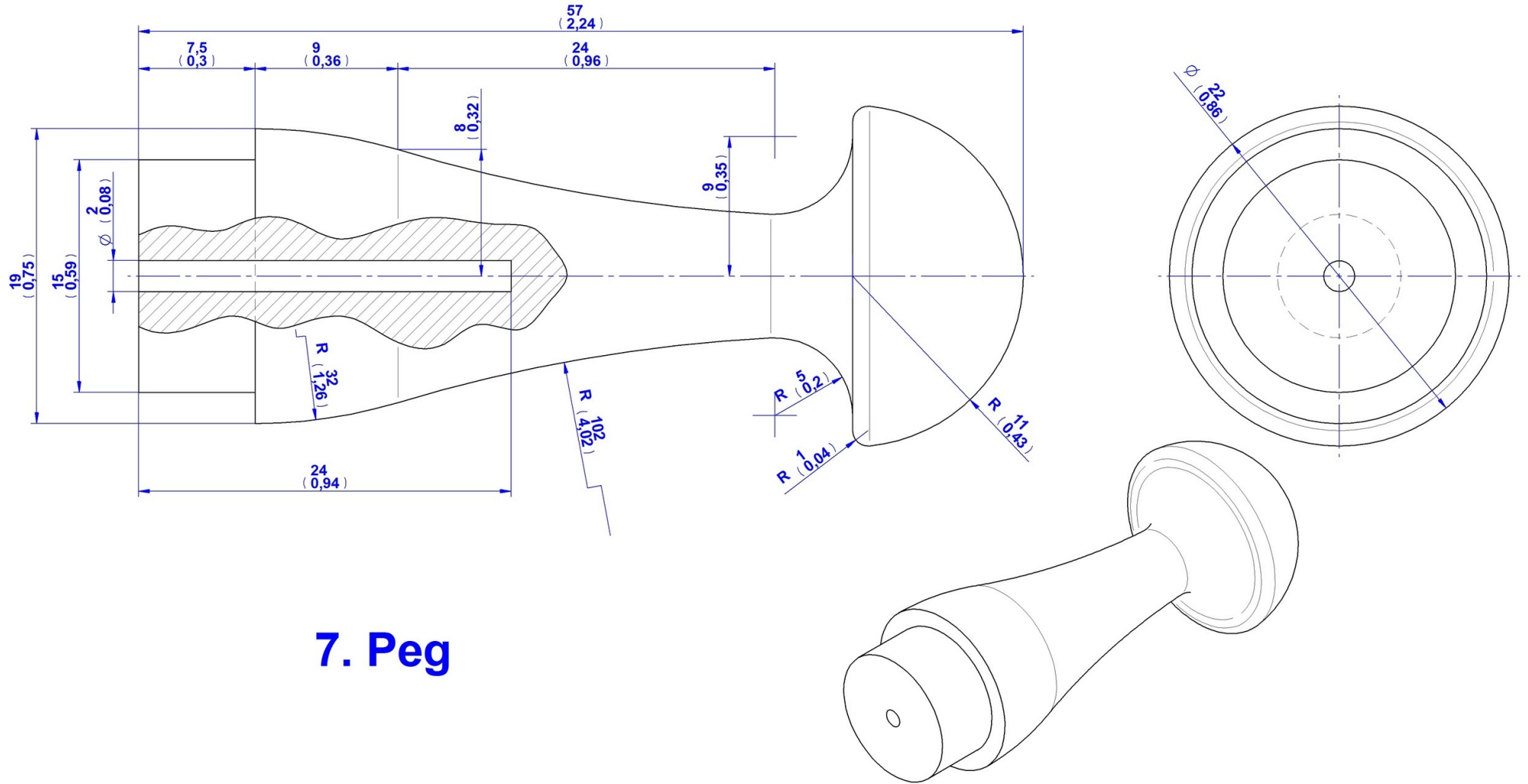
4. Body 2

Major line space = 50mm
Minor line space = 10mm

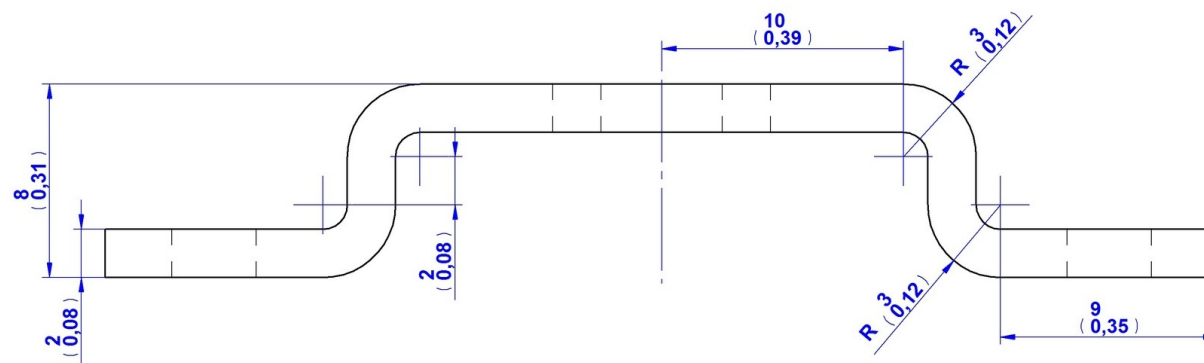
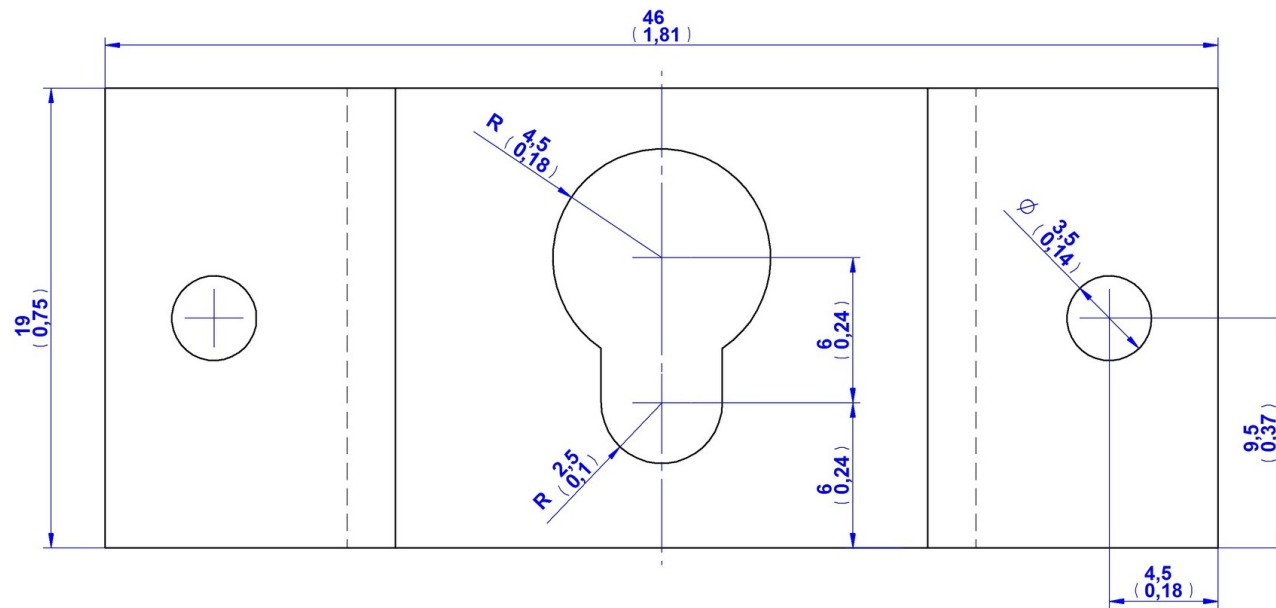




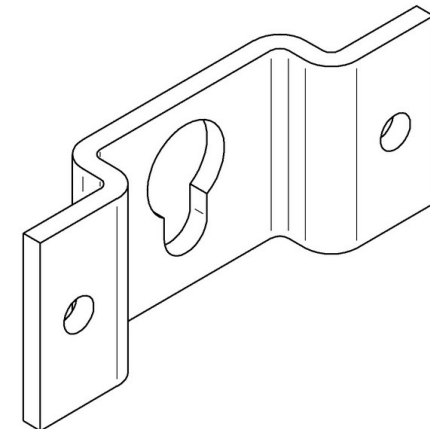


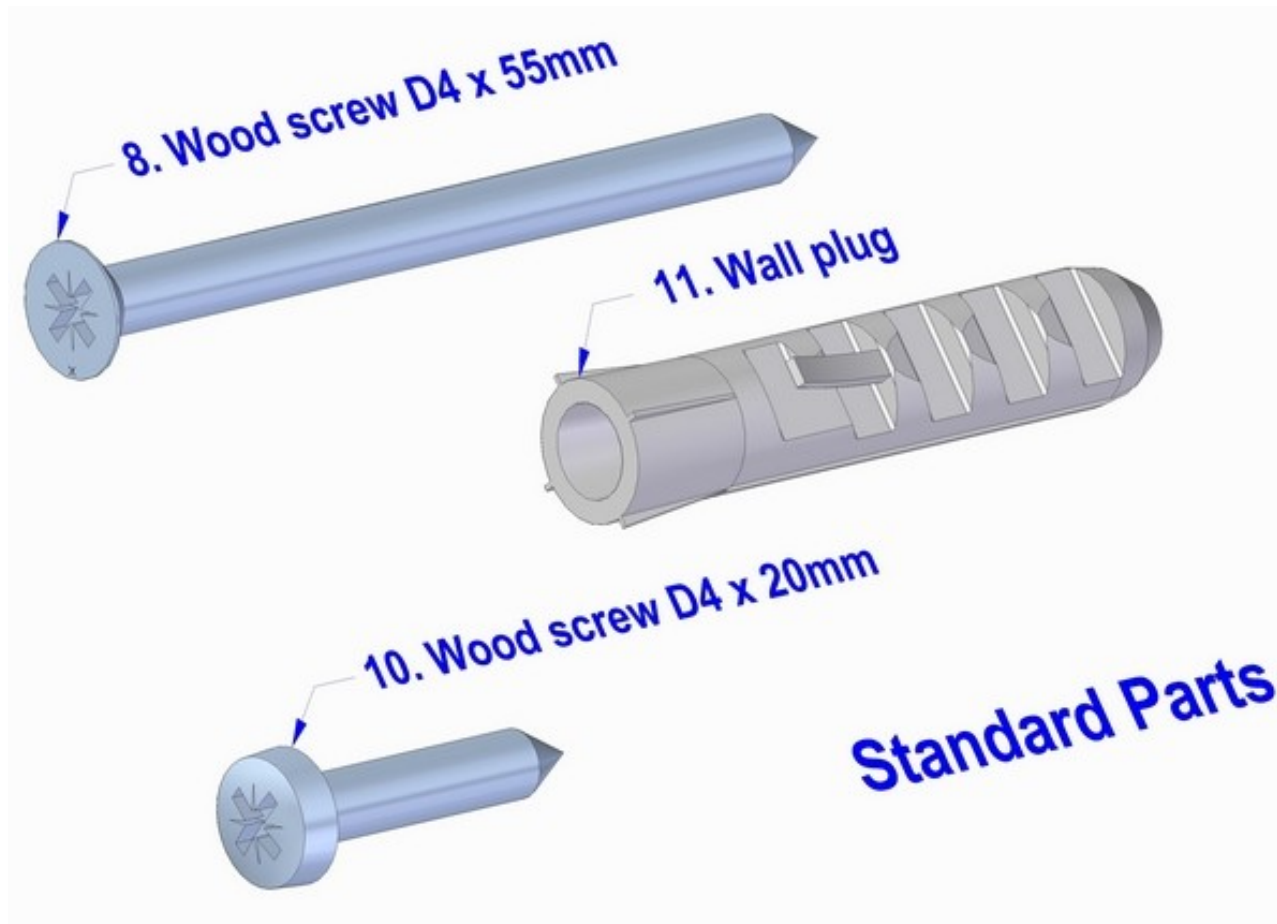


7. Peg



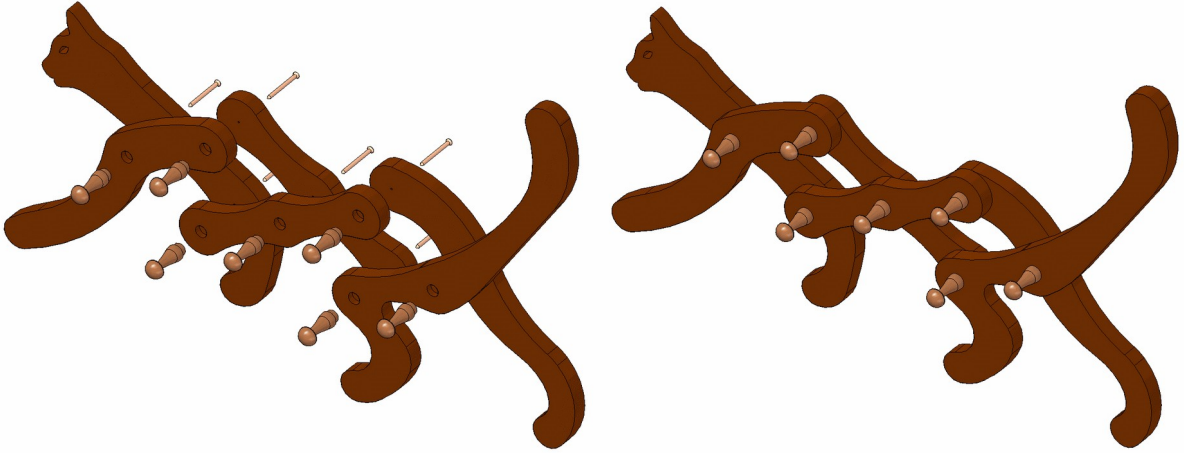
9. Support



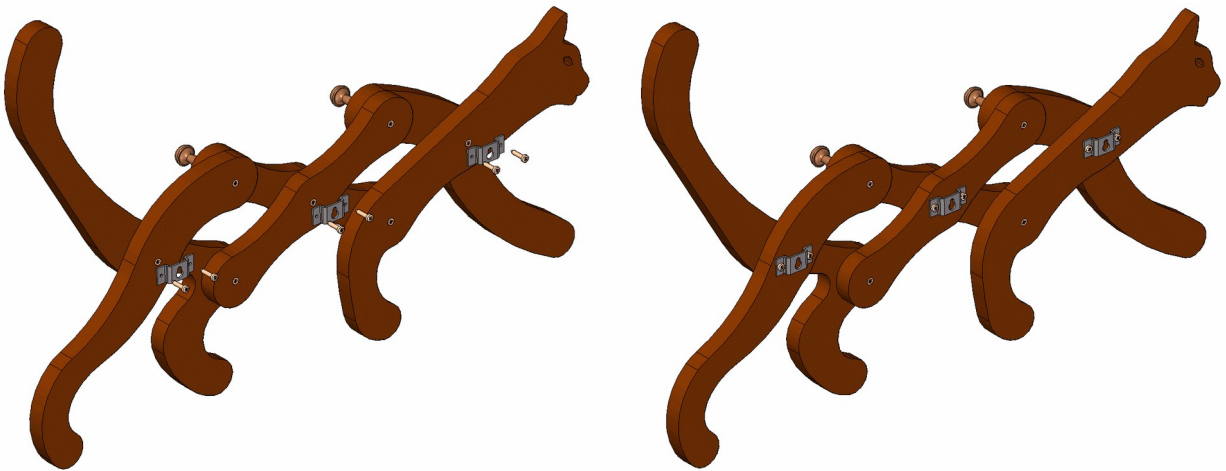


Assemblage images

1.



2.



3.

